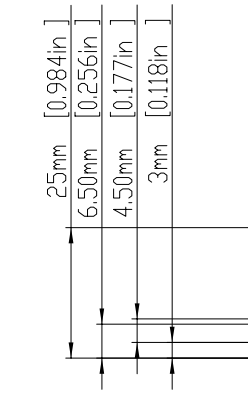
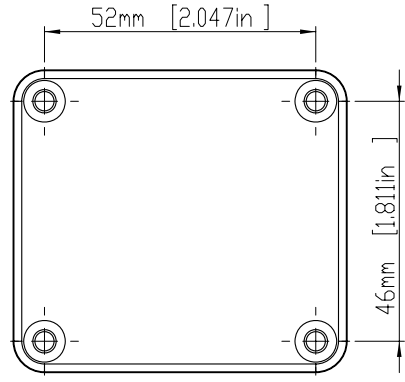
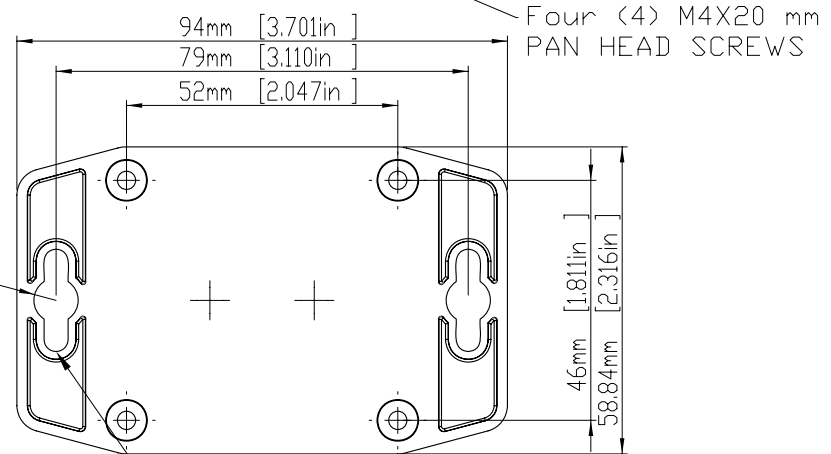
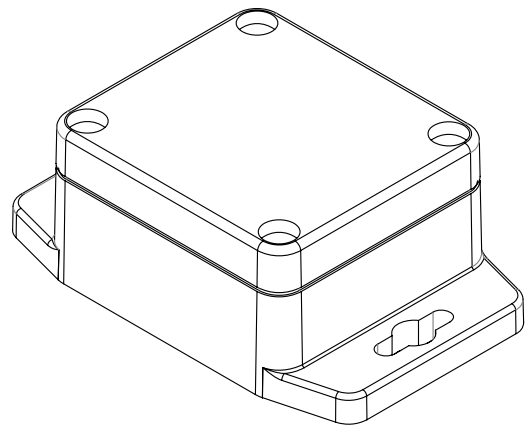
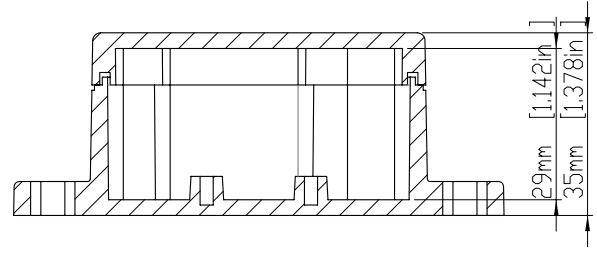


SECTION B-B
SCALE 1 : 1



HOLES(2) ARE DESIGNED FOR M4 PAN HEAD MACHINE SCREWS USE.

SECTION A-A
SCALE 1 : 1



TOLERANCES: +/- 0.30 mm (+/- 0.012in)

宜又實業有限公司 GAINTA INDUSTRIES LTD.	繪圖	DRA'D BY	日期	DATE	材質	MATE.	圖名TITLE:	圖號DWG NO:	版次REVISID:
		JACKY		2010/11/5		PC ; ABS	G201MF ; G302MF		A

STOCK NO.	MATERIAL	BASE-COLOR	COVER-COLOR
G201MF	POLYCARBONATE UL94-HB	LIGHT GRAY(RAL7035)	LIGHT GRAY(RAL7035)
G201CMF	POLYCARBONATE UL94-HB	LIGHT GRAY(RAL7035)	CLEAR
G302MF	ABS UL94-HB	DARK GRAY(RAL7000)	DARK GRAY(RAL7000)