

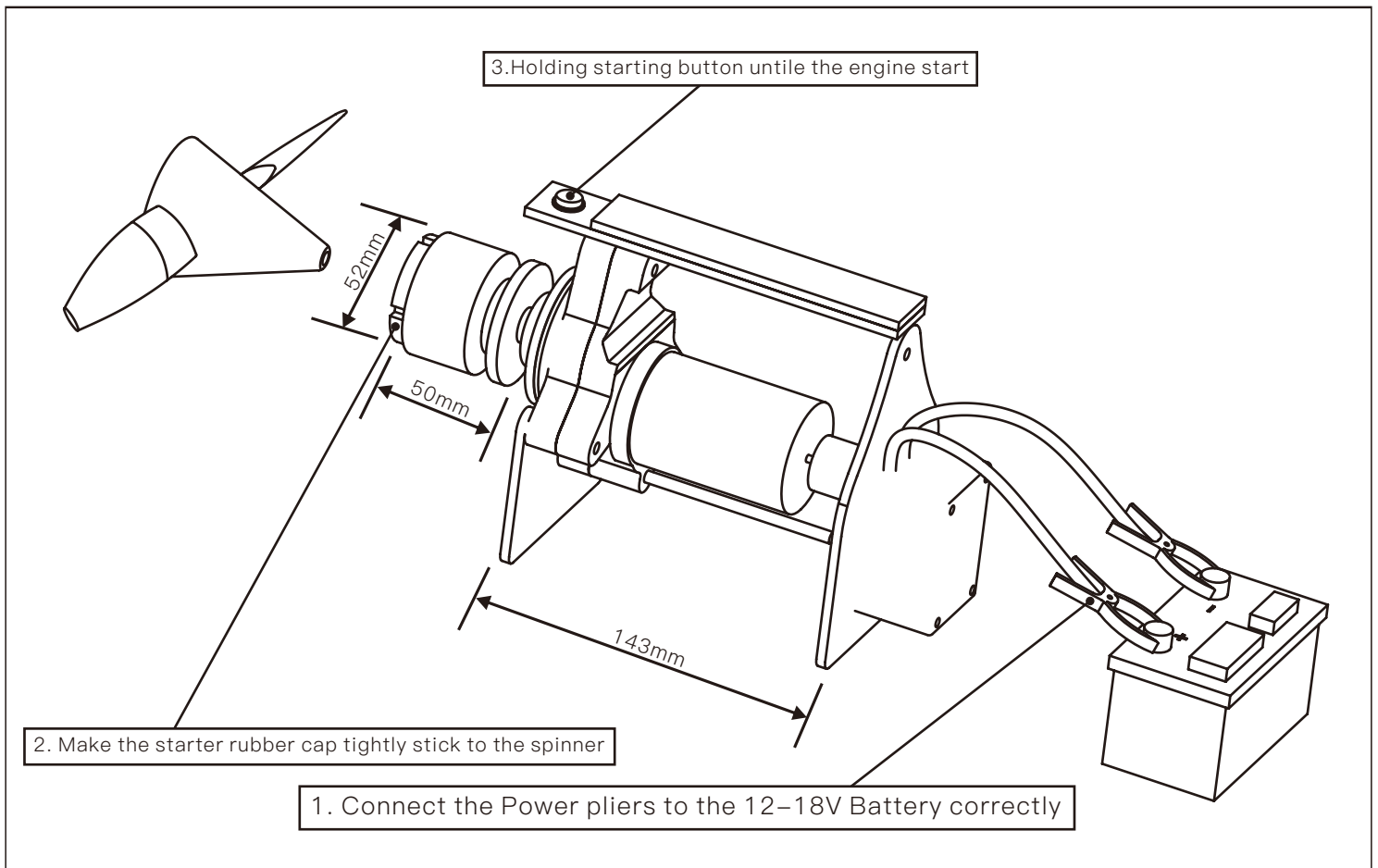
CRRCPRO TOC60G Electronic Starter for Gasoline Engine

Specifications:

TOC60G starter for 20–80cc engine, rc airplane parts
Power supply: 12V–18V (advice lead–acid battery , 3S/ 3000MAH or above /20c or above lithium battery)
RPM at no load: 1000RPM/H
Max. Torque: 120KG/CM
Use for 20CC–80CC gas airplane
Big rubber cap size: $\Phi 52\text{mm} \times \text{D}45\text{mm} \times \text{H}30.5\text{mm}$
Small rubber cap size: $\Phi 36\text{mm} \times \text{D}23.5\text{mm} \times \text{H}29.5\text{mm}$
Gross weight: 1750g

Features:

Made with a 110CC four–stroke motorcycle starter motor, powerful and durable
The built–in 6:1 reduction gear increases the starting torque by 6 times
Contactor is used for connection on the circuit, the circuit loss is small and the structure is reliable
The structural parts are made of carbon fiber, which has high structural strength and light weight
Double switch design, two holding methods to fit helicopter engine and airplane engine



! Notes:

1. When the starter overheating please stop using it until it is cooled
2. Please remove the battery when the starter is not in use