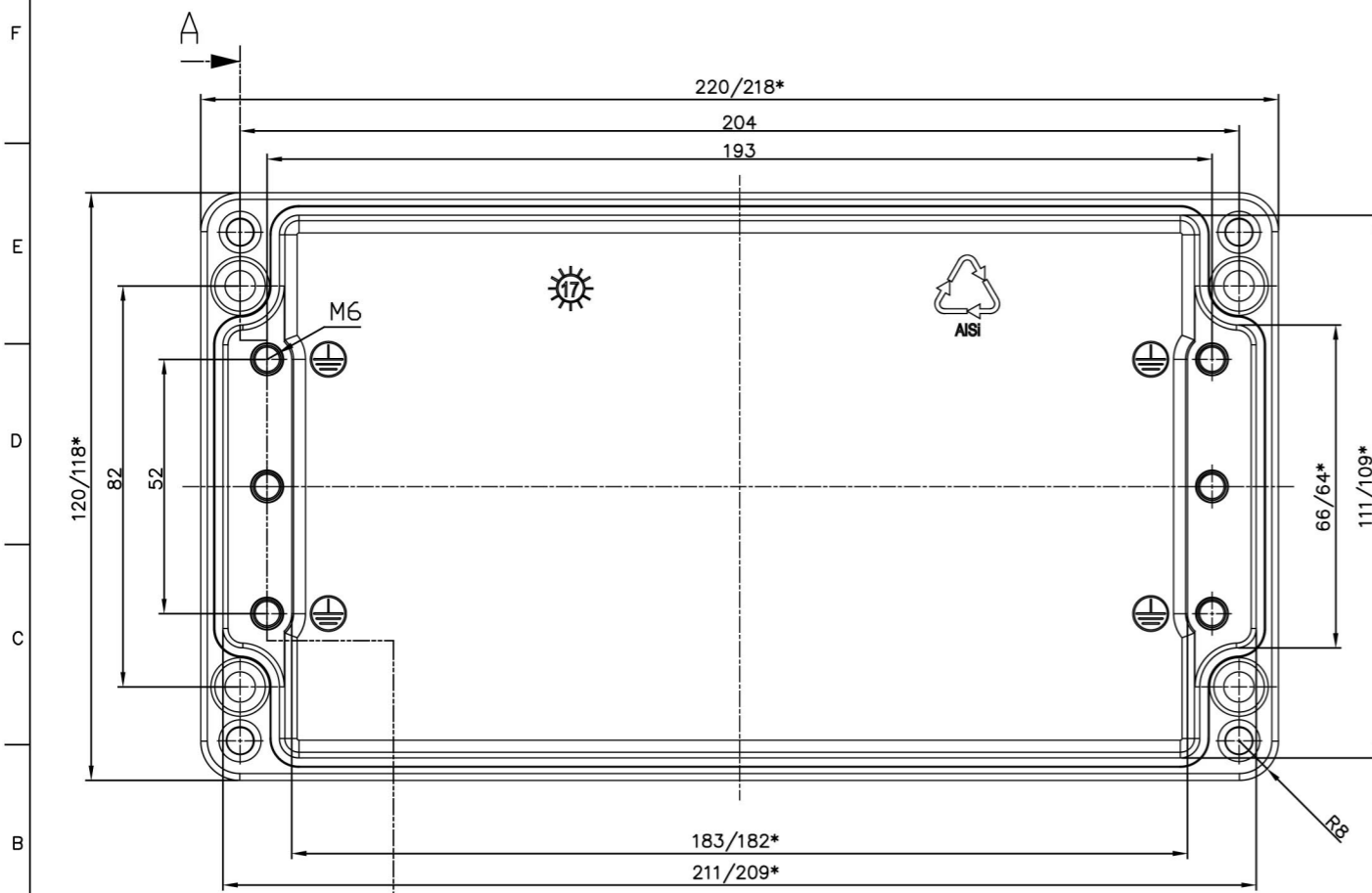
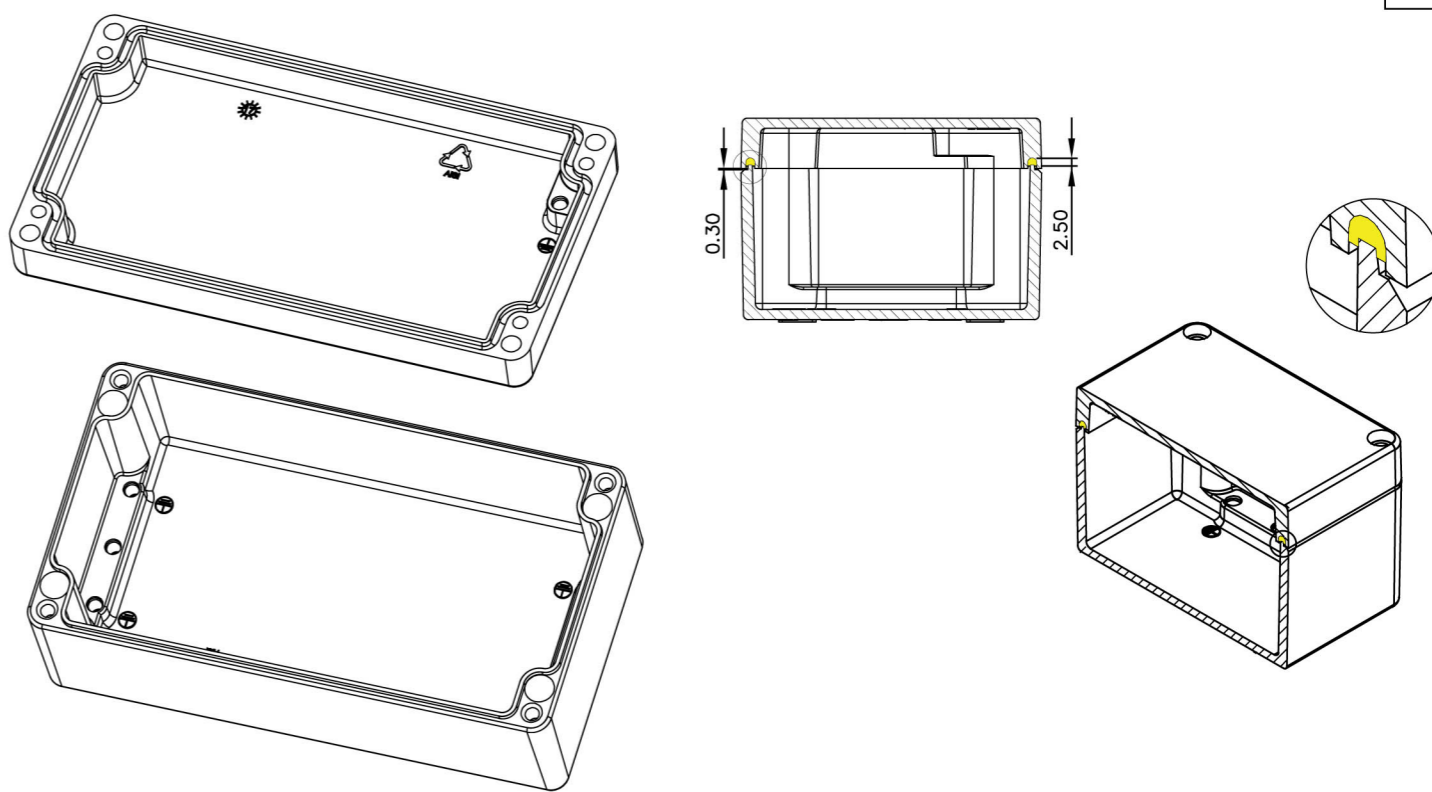
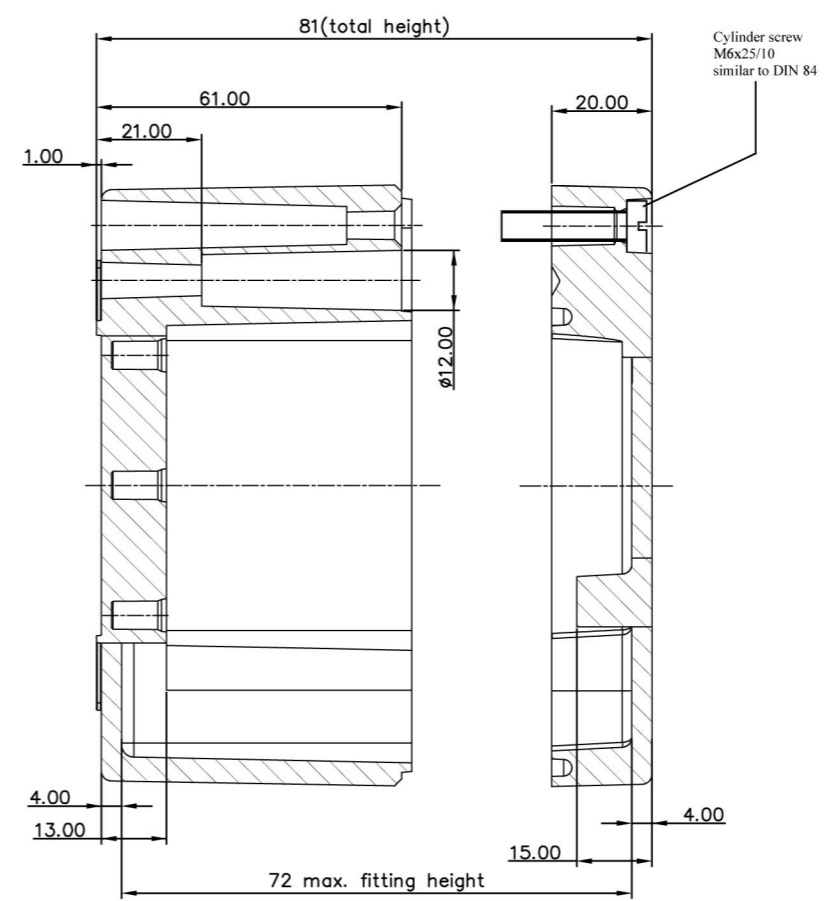


LID



BASE



* = Conical form tapering downwards
Free dimensions-tolerance to GTA 13/5 DIN 1688

Item Number	RAL / Colour
128-000-661	RAL3001 / red
128-000-659	RAL7001 / grey
128-000-660	RAL7005 / black
128-000-658	uncoated

ENCLOSURE/BOX MEETS THE REQUIREMENTS OF
IS/IEC 60529:2001
OR
EN 60529
FOR IP 68 SEVERITY

efabox			
TOLERANCE GTA 13/5 DIN 1688	TOOL LID 220X120X81	DRAWN BY J. Janser	DATE 03.05.2017
SCALE 1:1	ROUGHNESS	CHECKED BY W. Jagdmann	DATE 03.05.2017
	MATERIAL ALUMINIUM	DRG.NO. 22012081	SH.NO. 01
			01