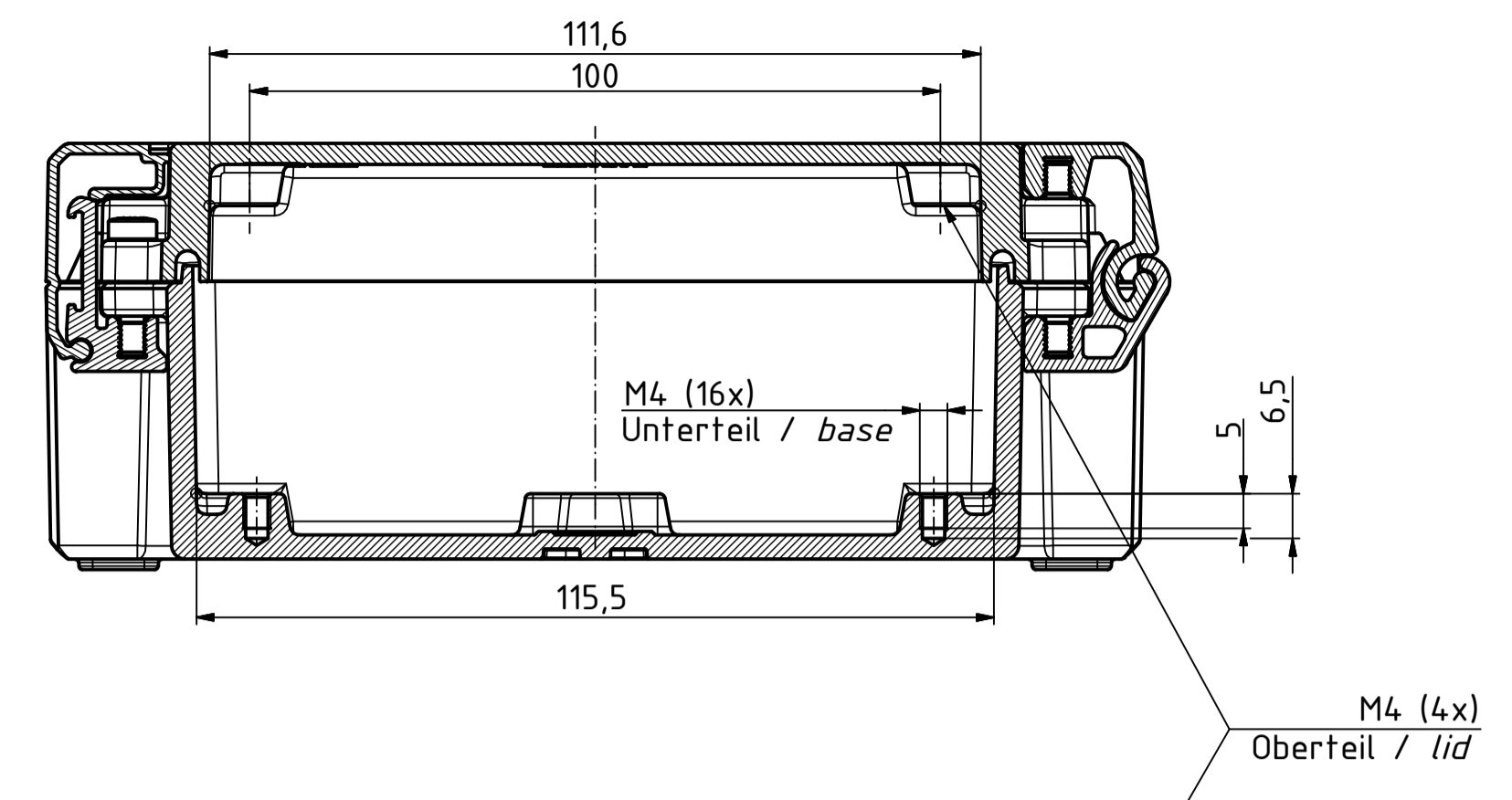
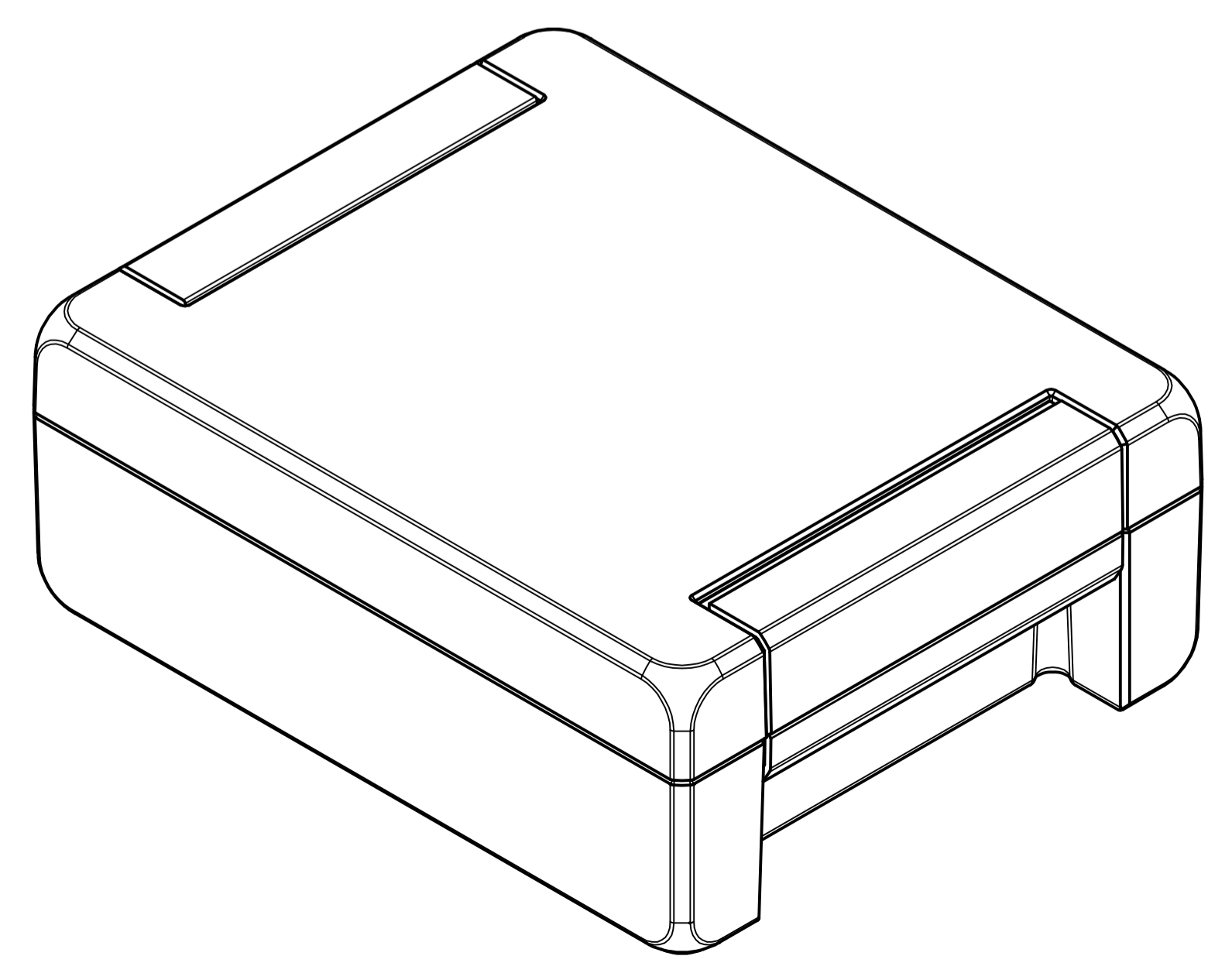
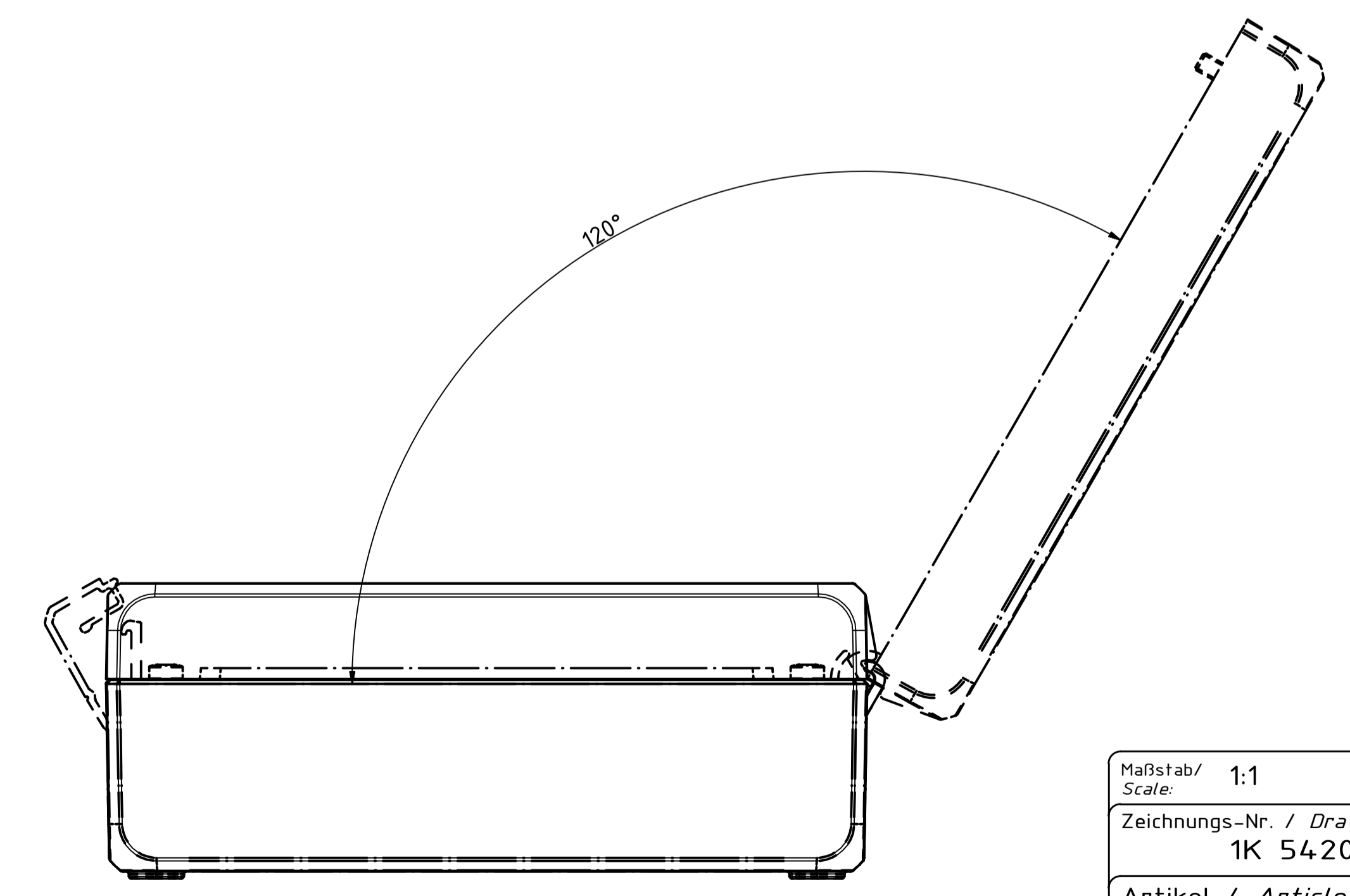
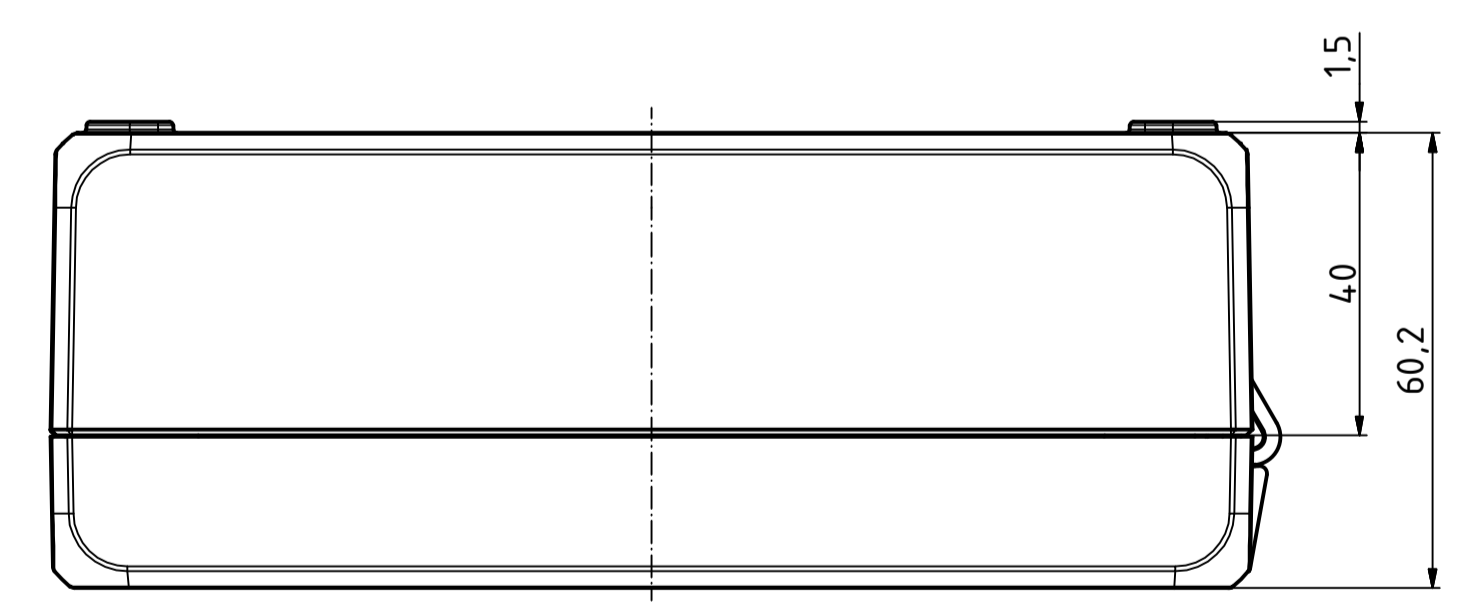
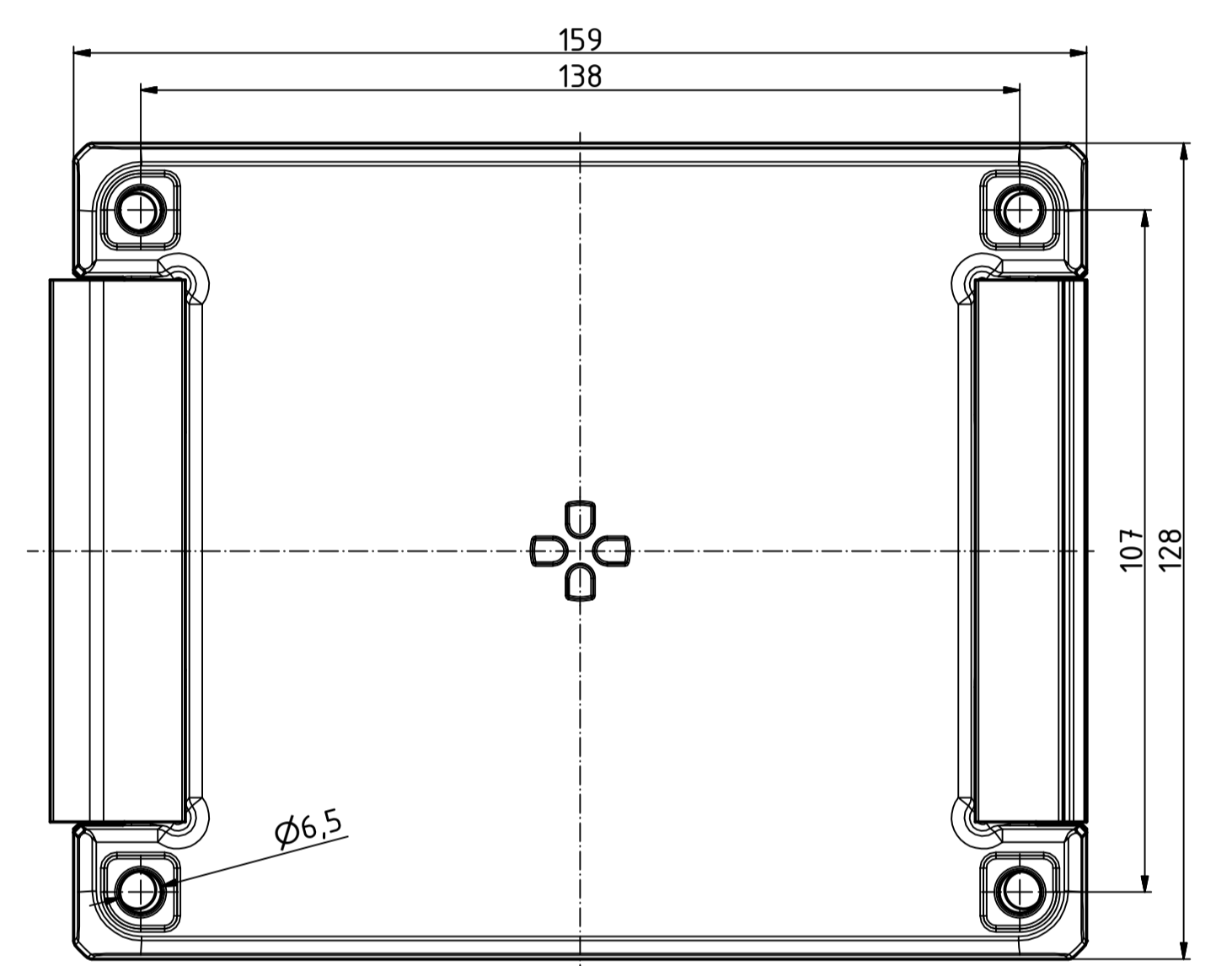
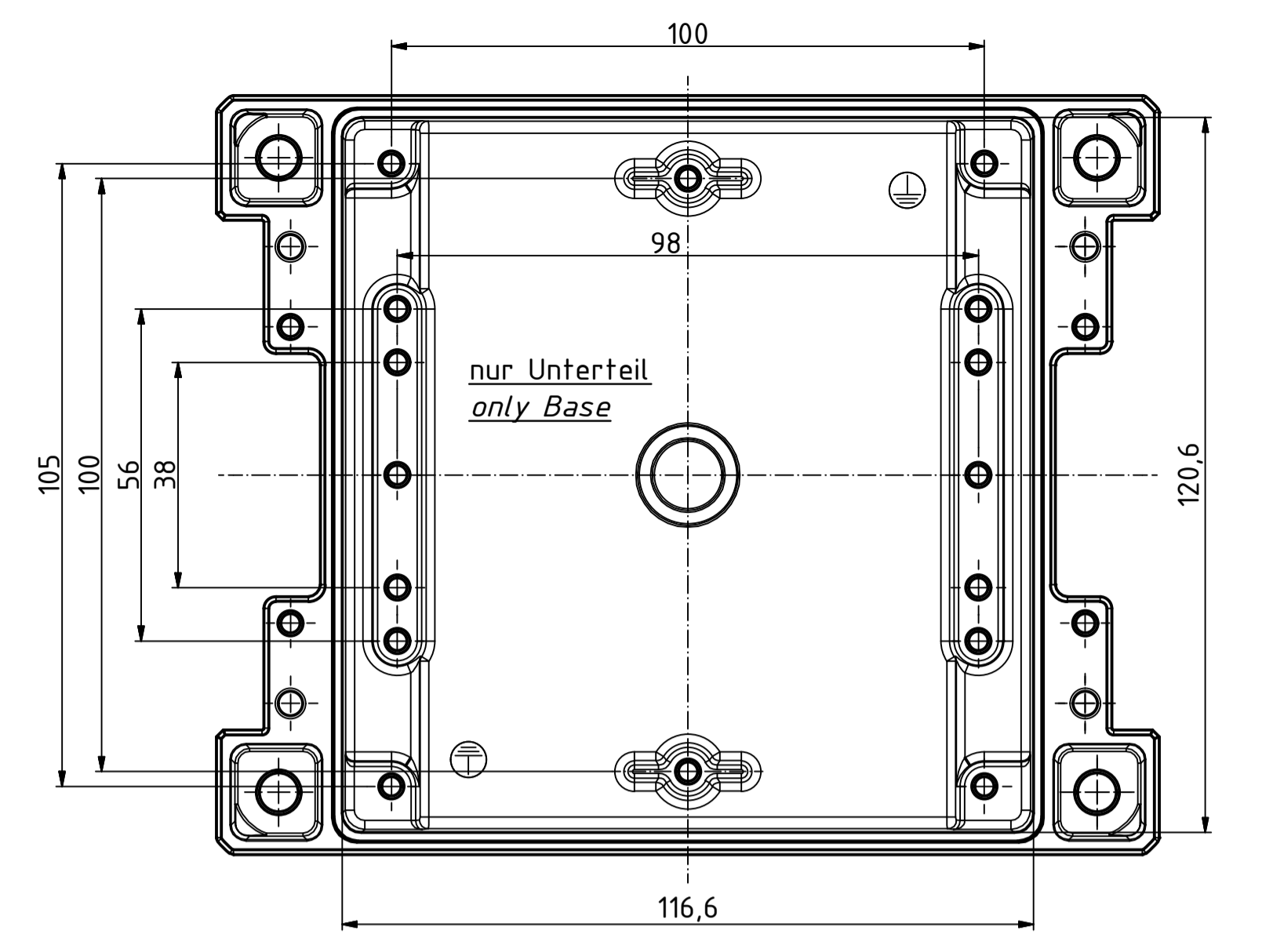
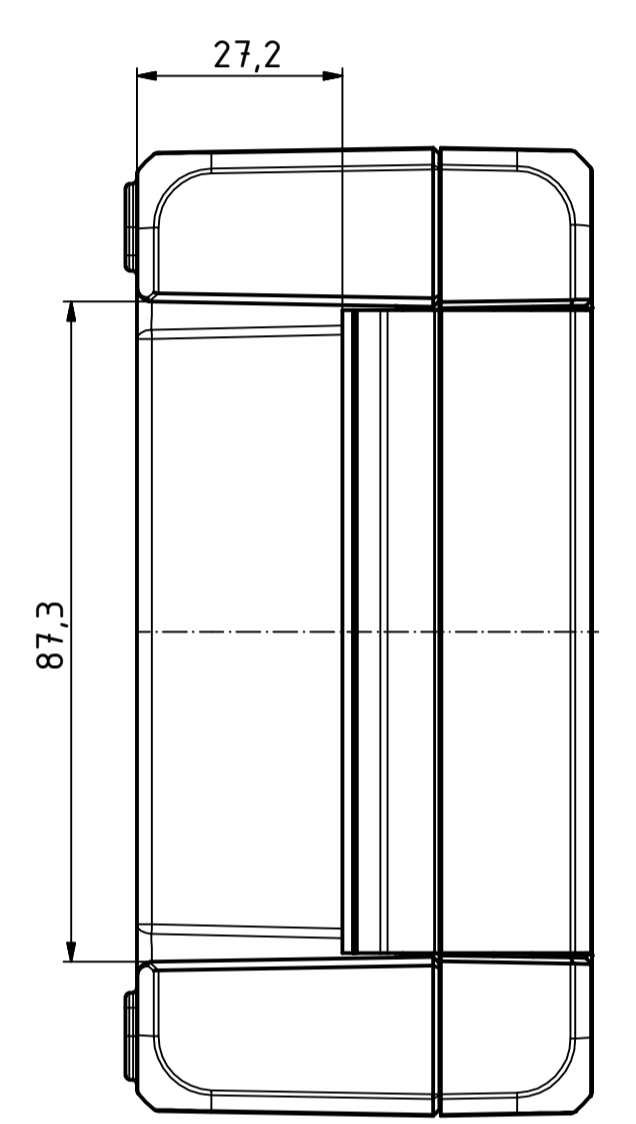
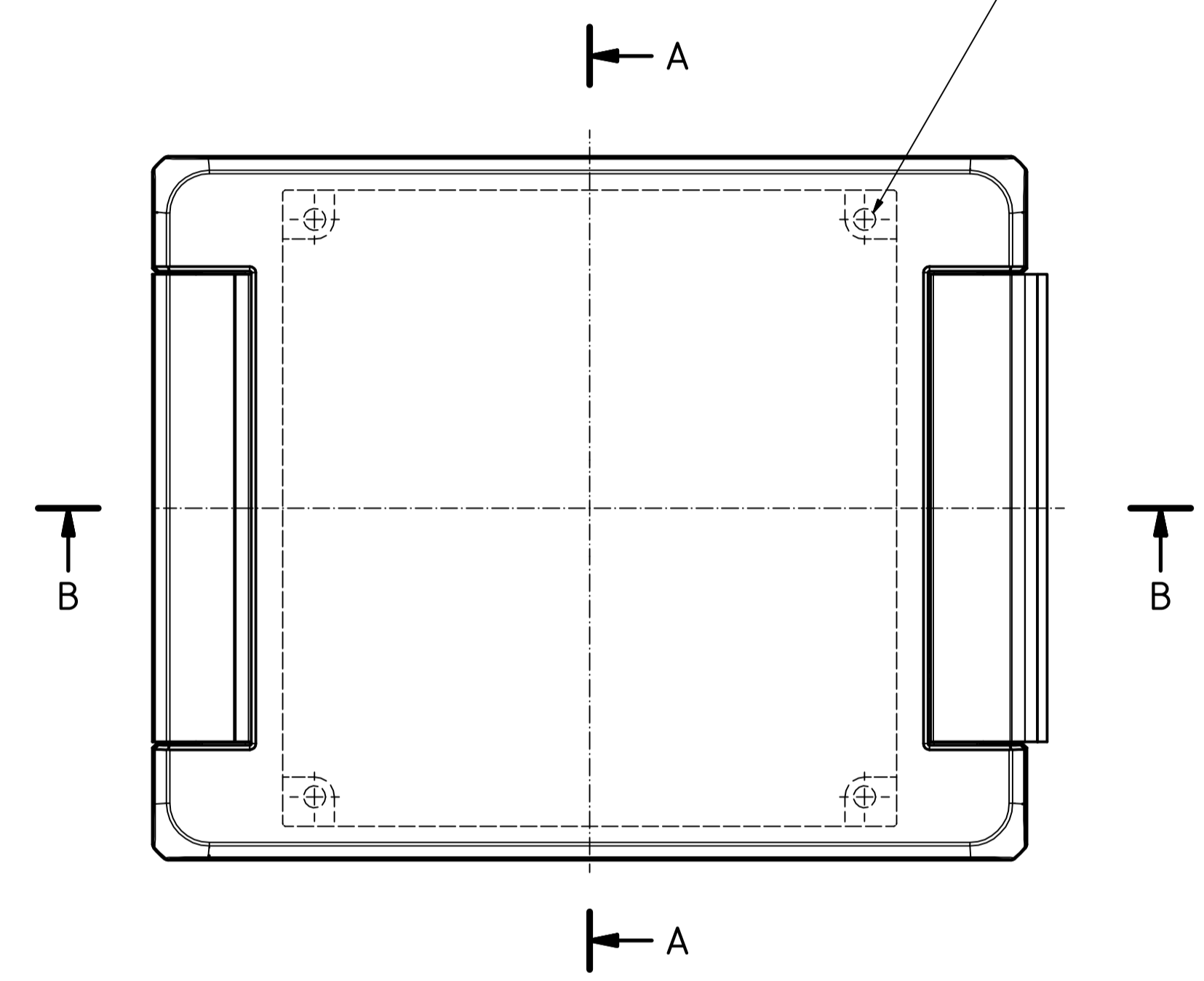
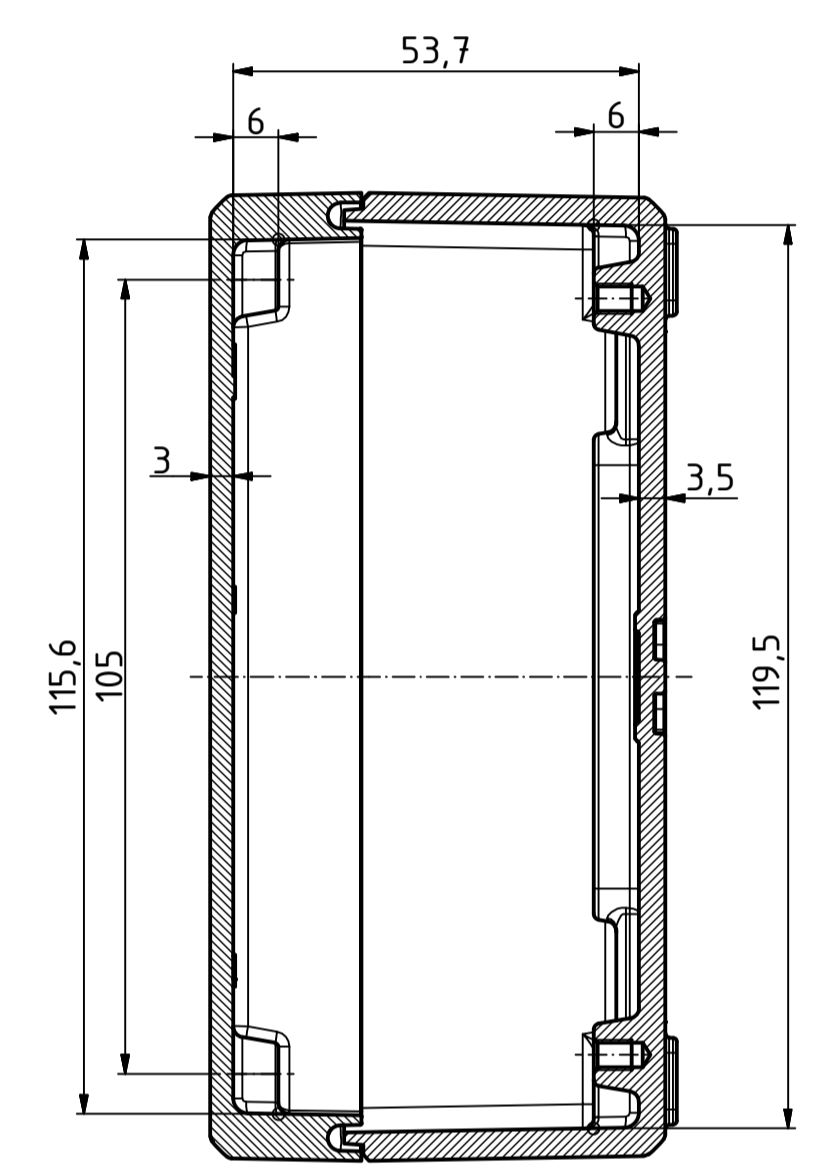


"Schutzvermerk nach DIN ISO 16616 beachten" - "Please pay attention to copyright note DIN ISO 16616"

B-B (1:1)



A-A (1:1)



| | | |
|--|------------------------------------|--|
| Maßstab/ Scale: | 1:1 | |
| Zeichnungs-Nr. / Drawing-No.: | 1K 54.20.127.01 | |
| Artikel / Article: | Bocube Aluminium BA 14.1306-... | |
| Katalogzg./Catalogue draw. | | |
| A.Nr./ Art.No.: | Datum/ Date: | |
| DISK: 24.04.092.idw Datum/Date: 21.02.2018 FW | | |

