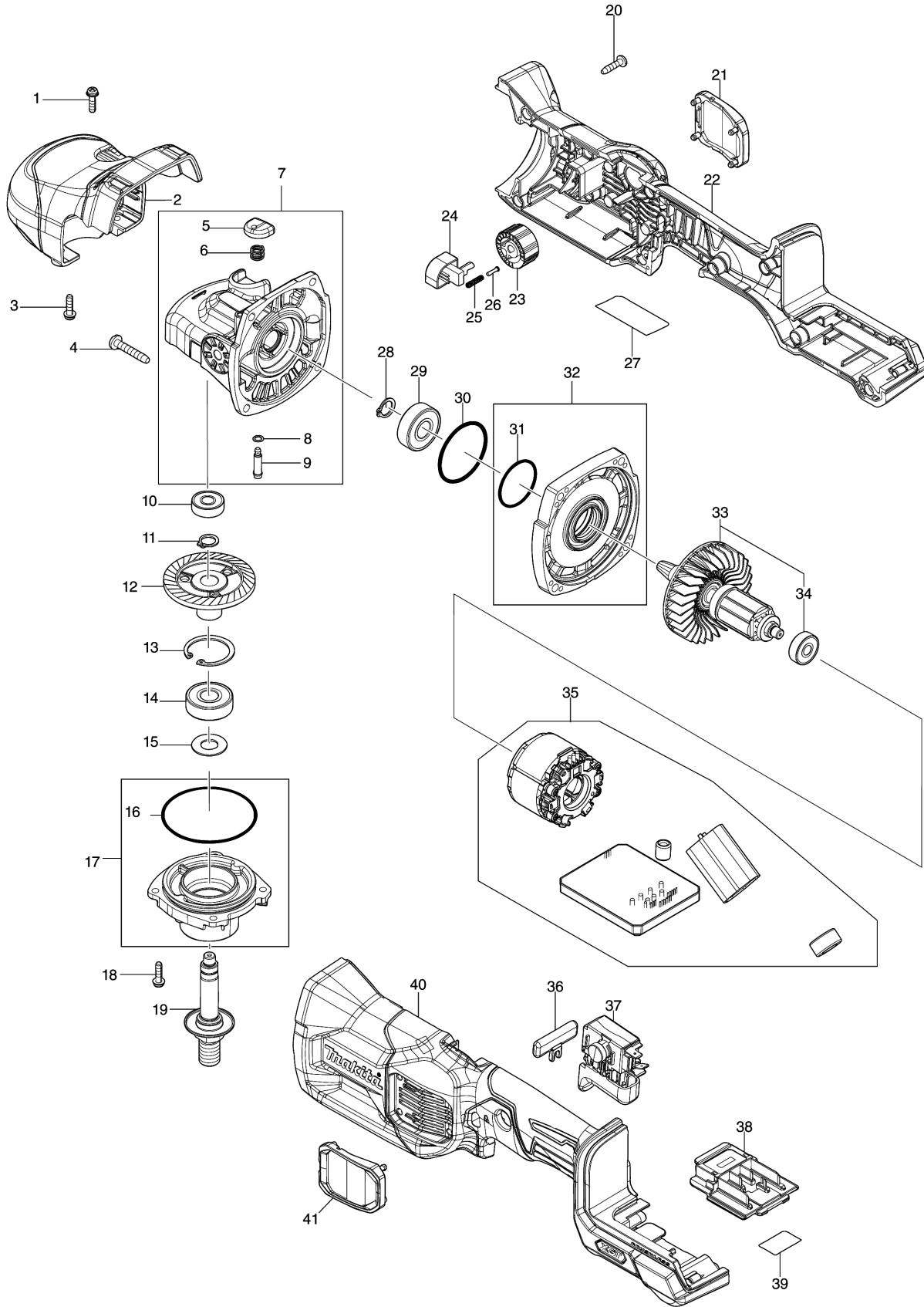


Model No.PV001G 180MM CORDLESS POLISHER



Model No.PV001G 180MM CORDLESS POLISHER

| Position | Artikel-Nr. | Beschreibung | I/C | Stk. | New/Old | Opt. 1 | Opt. 2 | Hinweis |
|----------|-------------|----------------------------|-----|------|---------|--------|--------|---------|
| 001 | 911128-8 | Kombi-Schraube M4x16 | | 2 | | | | |
| 002 | 413F66-1 | Getriebehaube | | 1 | | | | |
| 003 | 911128-8 | Kombi-Schraube M4x16 | | 2 | | | | |
| 004 | 266173-1 | Blechschaube PT 5x30 | | 4 | | | | |
| 005 | 412234-7 | Kunststoffkappe | | 1 | | | | |
| 006 | 233072-2 | Druckfeder 8 | | 1 | | | | |
| 007 | 136628-9 | Getriebegehäuse kpl. | | 1 | | | | |
| C10 | 263002-9 | Gummistift 4 | | 1 | | | | |
| D10 | | INC. 5,6,8,9 | | | | | | |
| 008 | 213960-9 | O-Ring 5 | | 1 | | | | |
| 009 | 256546-6 | Stift 4 | | 1 | | | | |
| 010 | 210029-0 | Rillenkugellager 608ZZ | | 1 | | | | |
| 011 | 961052-5 | Sicherungsring S-12 | | 1 | | | | |
| 012 | 227953-0 | Tellerrad 52 | | 1 | | | | |
| 013 | 962151-6 | Sicherungsring R-32 | | 1 | | | | |
| 014 | 211106-1 | Rillenkugellager 6201LLB | | 1 | | | | |
| 015 | 267113-2 | Unterlagscheibe 12 | | 1 | | | | |
| 016 | 213654-6 | O-Ring 60 | | 1 | | | | |
| 017 | 136629-7 | Lagerschild kpl. | | 1 | | | | |
| D10 | | INC. 16 | | | | | | |
| 018 | 911128-8 | Kombi-Schraube M4x16 | | 4 | | | | |
| 019 | 141J24-8 | Spindel | | 1 | | | | |
| 020 | 265995-6 | Schraube 4x18 | | 10 | | | | |
| 021 | 422871-9 | Staubabdeckung | | 1 | | | | |
| 022 | 183V37-5 | Motorgehäuse | | 1 | | | | |
| C10 | 263005-3 | Gummistift 6 | | 2 | | | | |
| C20 | 8005T5-8 | Aufkleber XGT-Logo | | 1 | | | | |
| D10 | | INC. 40 | | | | | | |
| 023 | 271472-8 | Stellrad 28 | | 1 | | | | |
| 024 | 620415-1 | Potentiometer | | 1 | | | | |
| 025 | 233002-3 | Druckfeder 3 | | 1 | | | | |
| 026 | 255058-6 | Stift 2 | | 1 | | | | |
| 027 | 8115Y5-8 | Typenschild PV001G | | 1 | | | | |
| 028 | 961052-5 | Sicherungsring S-12 | | 1 | | | | |
| 029 | 211137-0 | Rillenkugellager 6201LLU | | 1 | | | | |
| 030 | 213842-5 | O-Ring 40 | | 1 | | | | |
| 031 | 213459-4 | O-Ring 32 | | 1 | | | | |
| 032 | 136630-2 | Getriebegehäusedeckel kpl. | | 1 | | | | |
| D10 | | INC. 31 | | | | | | |
| 033 | 519738-1 | Anker kpl. | | 1 | | | | |
| D10 | | INC. 34 | | | | | | |
| 034 | 210023-2 | Rillenkugellager 627DDW | | 1 | | | | |

Model No.PV001G 180MM CORDLESS POLISHER

| Position | Artikel-Nr. | Beschreibung | I/C | Stk. | New/Old | Opt. 1 | Opt. 2 | Hinweis |
|----------|-------------|---------------------------|-----|------|---------|--------|--------|---------|
| 035 | 629B09-1 | Feld | | 1 | | | | |
| 036 | 458972-7 | Schalterentriegelung | | 1 | | | | |
| 037 | 650020-0 | Schalter C3JR-4B-2L | | 1 | | | | |
| 038 | 632P65-6 | Kontaktplatte | | 1 | | | | |
| 039 | 8116A3-0 | Serien-Nr.-Schild PV001G | | 1 | | | | |
| 040 | 183V37-5 | Motorgehäuse | | 1 | | | | |
| C10 | 263005-3 | Gummistift 6 | | 2 | | | | |
| C20 | 8005T5-8 | Aufkleber XGT-Logo | | 1 | | | | |
| D10 | | INC. 22 | | | | | | |
| 041 | 422871-9 | Staubabdeckung | | 1 | | | | |
| A01 | 262542-4 | Zentrierrohr 18mm | | 1 | | | | |
| A02 | 413F67-9 | Bügelgriff | | 1 | | | | |
| A03 | 743053-3 | Schleifteller Klett 165mm | | 1 | | | | |
| A04 | 192629-7 | Polierhaube 180mm Klett | | 1 | | | | |
| A05 | 266171-5 | Schraube M8x25 | | 2 | | | | |
| A06 | 783204-6 | 6 Kant-Stiftschlüssel 6mm | | 1 | | | | |
| A07 | 158237-4 | Seitengriff 36 kpl. | | 1 | | | | |
| A08 | 422871-9 | Staubabdeckung | | 2 | | | | |
| A09B | ***DC40RA | DC40RA FAST CHARGER | | 1 | | | | |
| D10 | | COMPO-PARTS | | | | | | |
| A10B | 191B26-6 | Akku-BL4040 Li 40V 4,0Ah | | 1 | | | | |
| A11B | 832411-9 | Werkzeugtasche | | 1 | | | | |

Please order the parts with part number.

Print Date 8/12/2021