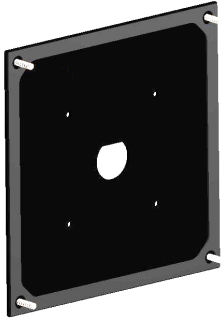




en



www.schneider-electric.com ION9000

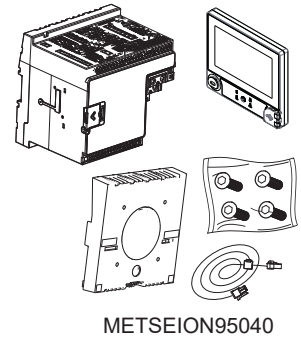
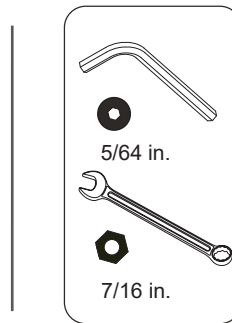
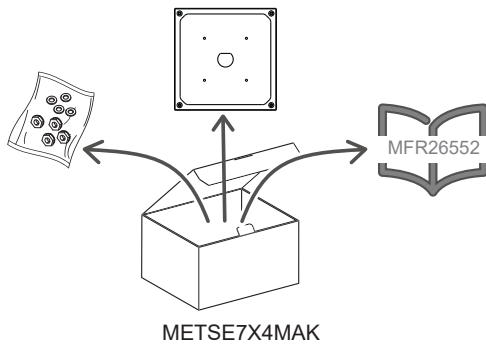
en 7EN02-0390

es 7ES02-0390

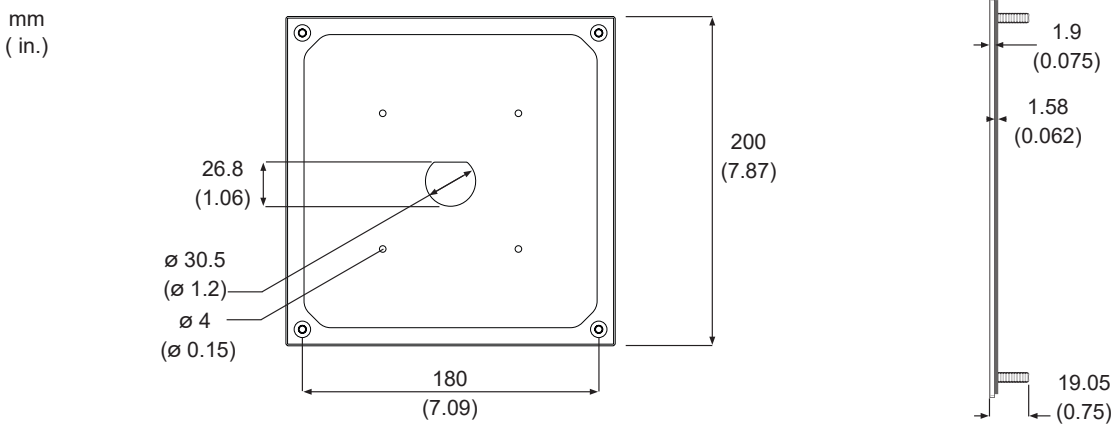
fr 7FR02-0390

METSE7X4MAK
 METSEION95040
 METSEION92040
 METSEION92030
 METSE9B2BMA
 METSERD192
 METSEPM89RD96

1



2 Dimensions



3 Safety precautions

⚠ DANGER

HAZARD OF ELECTRIC SHOCK, EXPLOSION, OR ARC FLASH

- Apply appropriate personal protective equipment (PPE) and follow safe electrical work practices. See NFPA 70E in the USA or applicable local standards.
- Turn off all power supplying this device and the equipment in which it is installed before working on the device or equipment.
- Always use a properly rated voltage sensing device to confirm that all power is off.
- Do not exceed the device's ratings for maximum limits.
- Do not use this device for critical control or protection applications where human or equipment safety relies on the operation of the control circuit.
- Never short the secondary of a voltage transformer (VT).
- Never open circuit a current transformer (CT).
- Always use grounded external CTs for current inputs.
- Treat communications and IO wiring connected to multiple devices as hazardous live until determined otherwise.

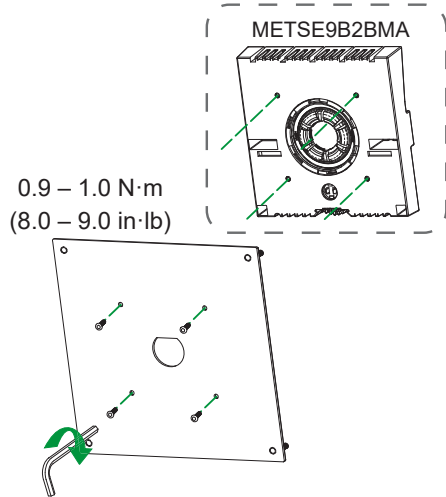
Failure to follow these instructions will result in death or serious injury.

1. Turn off all power supplying this device and the equipment in which it is installed before working on the device or equipment.
2. Always use a properly rated voltage sensing device to confirm that all power is off.

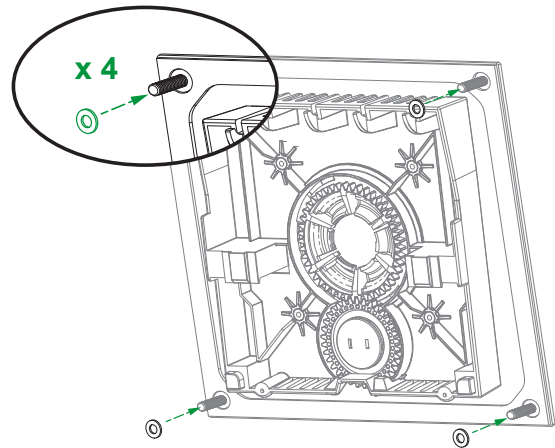
4

Adapter plate installation and meter mounting

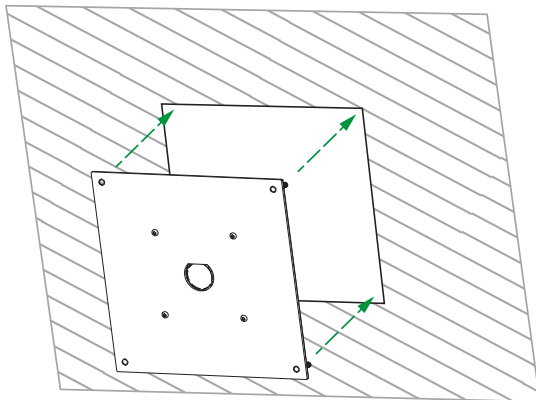
1



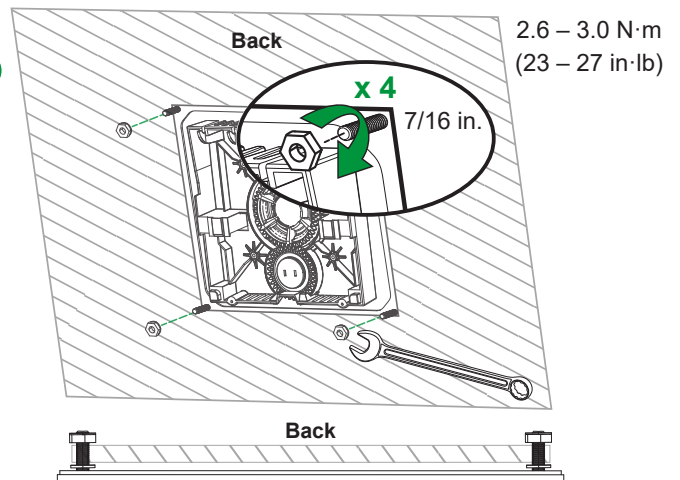
2



3

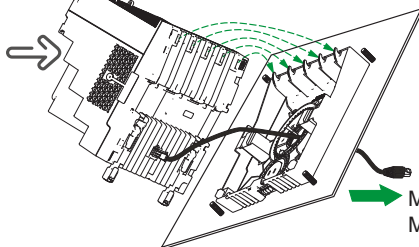


4



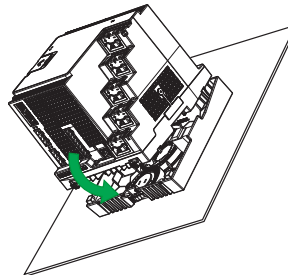
5

METSEION95040
METSEION92040
METSEION92030

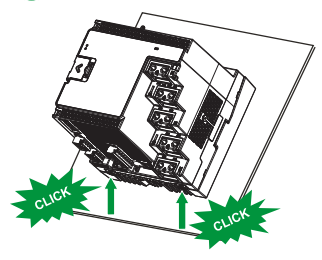


METSERD192 or
METSEPM89RD96

6



7



Refer to:

- ION9000 series meter installation sheet (NVE78642) for specifications, wiring and setup instructions.
- RD192 installation sheet (QGH42230) or PM89RD96 installation sheet (EAV47345) for specifications and installation instructions.

Notices

Read these instructions carefully and look at the equipment to become familiar with the device before trying to install, operate, service or maintain it.

Electrical equipment should be installed, operated, serviced and maintained only by qualified personnel. No responsibility is assumed by Schneider Electric for any consequences arising out of the use of this material. A qualified person is one who has skills and knowledge related to the construction, installation, and operation of electrical equipment and has received safety training to recognize and avoid the hazards involved.

PowerLogic and Schneider Electric are trademarks or registered trademarks of Schneider Electric in France, the USA and other countries.

- This product must be installed, connected and used in compliance with prevailing standards and/or installation regulations.
- If this product is used in a manner not specified by the manufacturer, the protection provided by the product may be impaired.
- The safety of any system incorporating this product is the responsibility of the assembler/installer of the system.

As standards, specifications and designs change from time to time, always ask for confirmation of the information given in this publication.

Schneider Electric
35, rue Joseph Monier
CS 30323
F - 92506 Rueil Malmaison Cedex
www.schneider-electric.com



MFR26552-00
© 2018 Schneider Electric. All rights reserved.
10/2018