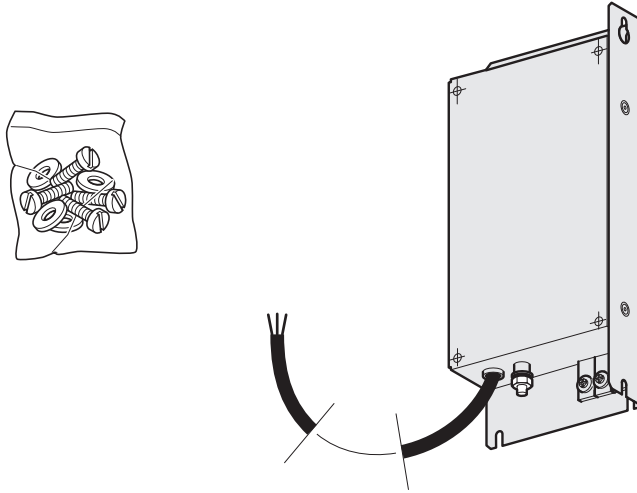




00175555614047

Altivar

VW3A4401 ... 407, 409



⚠ ⚠ DANGER

HAZARD OF ELECTRIC SHOCK, EXPLOSION, OR ARC FLASH

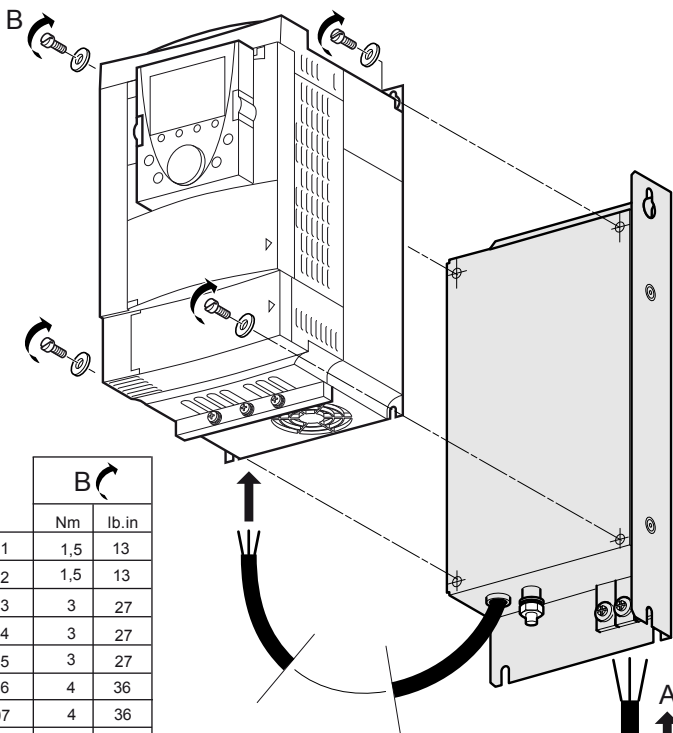
- Read and understand this manual and the manuals of the drive before installing this option.
- Installation must be performed by qualified personnel
- The user is responsible for compliance with all international and national electrical code requirements with respect to grounding of all equipment.
- Many parts of this drive, including the printed circuit boards, operate at the line voltage. **DO NOT TOUCH.** Use only electrically insulated tools.
- **DO NOT** touch unshielded components or terminal strip screw connections with voltage present.
- **DO NOT** short across braking resistor terminals or across the DC bus capacitors.
- Before servicing the drive:
 - Disconnect all power, including external control power that may be present.
 - Place a "DO NOT TURN ON" label on all power disconnects.
 - Lock all power disconnects in the open position.
 - **WAIT 15 MINUTES** to allow the DC bus capacitors to discharge.
 - Measure the voltage of the DC bus between the PA/+ and PC/- terminals to ensure that the voltage is less than 42 Vdc.
 - If the DC bus capacitors do not discharge completely, contact your local Schneider Electric representative. Do not repair or operate the drive.
- Install and close all covers before applying power or starting and stopping the drive.

Failure to follow these instructions will result in death or serious injury.

Electrical equipment should be installed, operated, serviced, and maintained only by qualified personnel. No responsibility is assumed by Schneider Electric for any consequences arising out of the use of this product.

© 2011 Schneider Electric. All Rights Reserved.

VW3A4401	12 A	ATV●1H037M3, ATV●1H075M3, ATV●1HU15M3 ATV61H075N4, ATV61HU15N4, ATV61HU22N4 ATV71H075N4, ATV71HU15N4, ATV71HU22N4
VW3A4402	26 A	ATV●1HU22M3, ATV●1HU30M3, ATV●1HU40M3 ATV61HU30N4, ATV61HU40N4 ATV71●U30N4●, ATV71●U40N4●
VW3A4403	35 A	ATV●1HU55M3, ATV61HU55N4, ATV61HU75N4 ATV71●U55N4●, ATV71●U75N4●
VW3A4404	46 A	ATV●1HU75M3, ATV61HD11N4 ATV71●D11N4
VW3A4405	72 A	ATV61HD11M3X, ATV61HD15M3X ATV61HD15N4, ATV61HD18N4 ATV71HD11M3X, ATV71HD15M3X ATV71●D15N4, ATV71●D18N4
VW3A4406	90 A	ATV21HD22N4, ATV21HD30N4, ATV21HD22M3X ATV212HD22N4, ATV212HD30N4, ATV212HD22M3X ATV61HD18M3X, ATV61HD22M3X, ATV61HD22N4 ATV71HD18M3X, ATV71HD22M3X, ATV71●D22N4
VW3A4407	92 A	ATV21HD37N4, ATV21HD45N4 ATV212HD37N4, ATV212HD45N4 ATV61HD30N4, ATV61HD37N4 ATV71●D30N4, ATV71●D37N4
VW3A4409	48 A	ATV61HD15N4 ATV71●D15N4



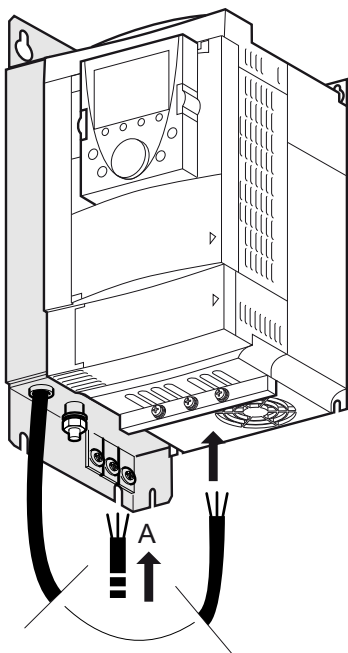
B ↻

	Nm	lb.in
VW3A4401	1,5	13
VW3A4402	1,5	13
VW3A4403	3	27
VW3A4404	3	27
VW3A4405	3	27
VW3A4406	4	36
VW3A4407	4	36
VW3A4409	3	27

⬆️ **A** ⬆️

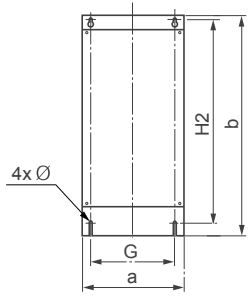
A ↻

	Nm	lb.in
VW3A4401	0,6	5.3
VW3A4402	1,5	13.3
VW3A4403	1,5	13.3
VW3A4404	2	17.7
VW3A4405	6	53
VW3A4406	6	53
VW3A4407	6	53
VW3A4409	4	35.4

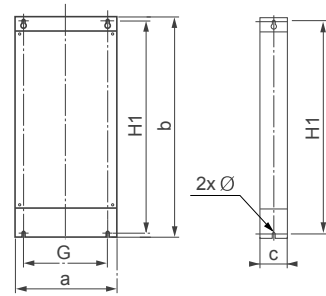


⬆️ **A** ⬆️

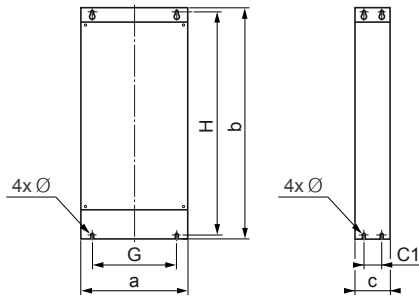
VW3A4405, VW3A4409



VW3A4401 ... 404



	a		b		c		G		H1		H2		Ø	
	mm	in	mm	in	mm	in	mm	in	mm	in	mm	in	mm	in
VW3A4401	130	5.12	290	11.42	40	1.57	105	4.13	275	10.83	-	-	4.5	0.18
VW3A4402	155	6.10	324	12.76	50	1.97	130	5.12	309	12.17	-	-	4.5	0.18
VW3A4403	175	6.89	370	14.57	60	2.36	150	5.91	355	13.98	-	-	6.5	0.25
VW3A4404	210	8.27	380	14.96	60	2.36	190	7.48	365	14.37	-	-	6.5	0.25
VW3A4405	230	9.06	498.5	19.63	62	2.44	190	7.48	479	18.86	460	18.11	6.5	0.25
VW3A4409	230	9.06	498.5	19.63	62	2.44	190	7.48	479	18.86	460	18.11	6.5	0.25



	a		b		c		C1		G		H		Ø	
	mm	in	mm	in	mm	in	mm	in	mm	in	mm	in	mm	in
VW3A4406	240	9.45	522	20.53	79	3.11	40	1.57	200	7.87	502.5	19.78	9.0	0.35
VW3A4407	240	9.45	650	25.59	79	3.11	40	1.57	200	7.87	631	24.84	9.0	0.35

