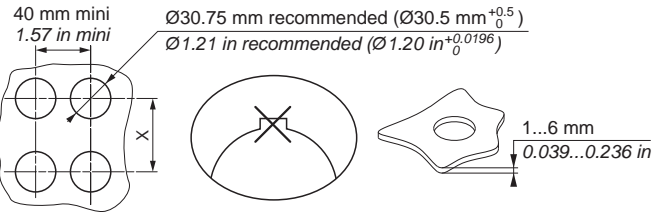
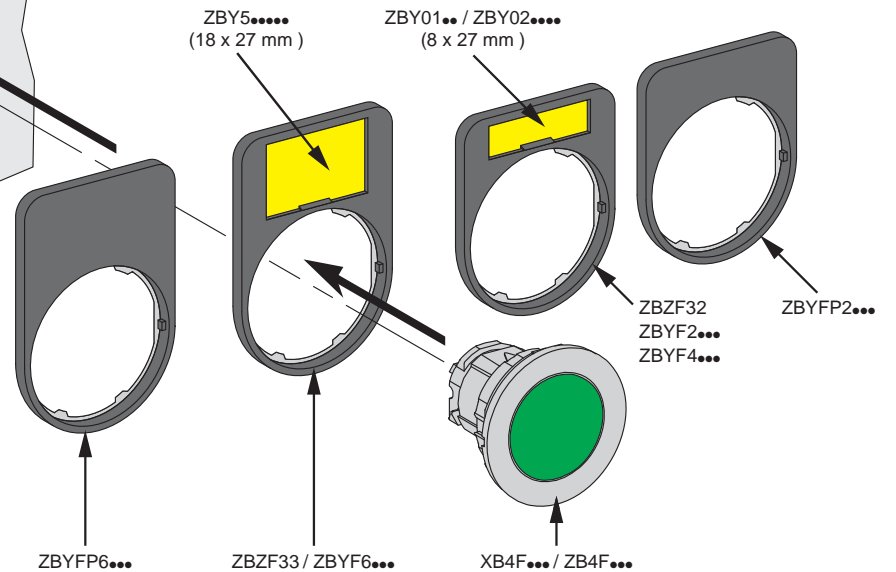
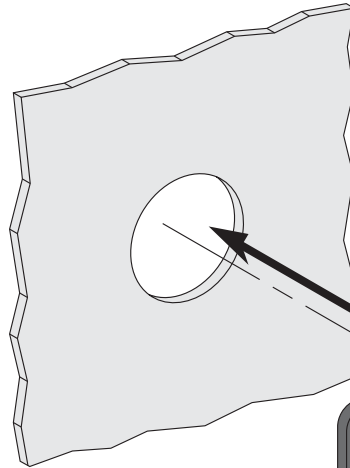


For use on flat surface of a type 4, type 4X, type 12, and type 13



ZBZF32 / ZBYFP2... / ZBYF2... / ZBYF4...
X = 50mm / 1.97 in
ZBZF33 / ZBYFP6... / ZBYF6...
X = 60mm / 2.36 in



WARNING

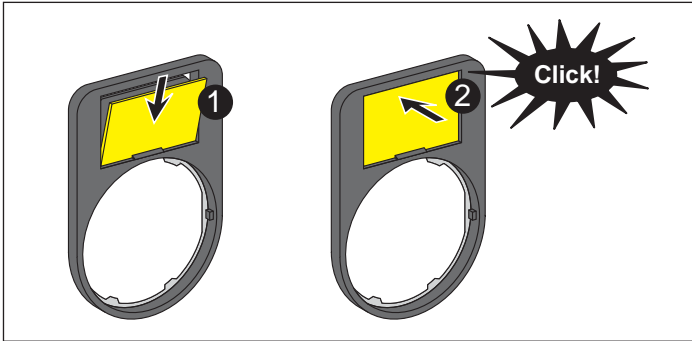
UNINTENDED EQUIPMENT OPERATION

- Install the XB4F... / ZB4F... and XB5F... / ZB5F... following the installation conditions described in their own instruction sheet.
- Hole shape and diameter must comply with the specifications provided in this document.
- Install the ZBZF32 / ZBZF33 / ZBYFP2... / ZBYFP6... following the installation conditions described in this document.

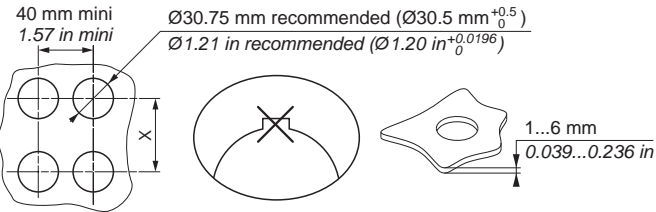
Failure to follow these instructions can result in death, serious injury, or equipment damage.

Electrical equipment should be installed, operated, serviced, and maintained only by qualified personnel.
No responsibility is assumed by Schneider Electric for any consequences arising out of the use of this material.

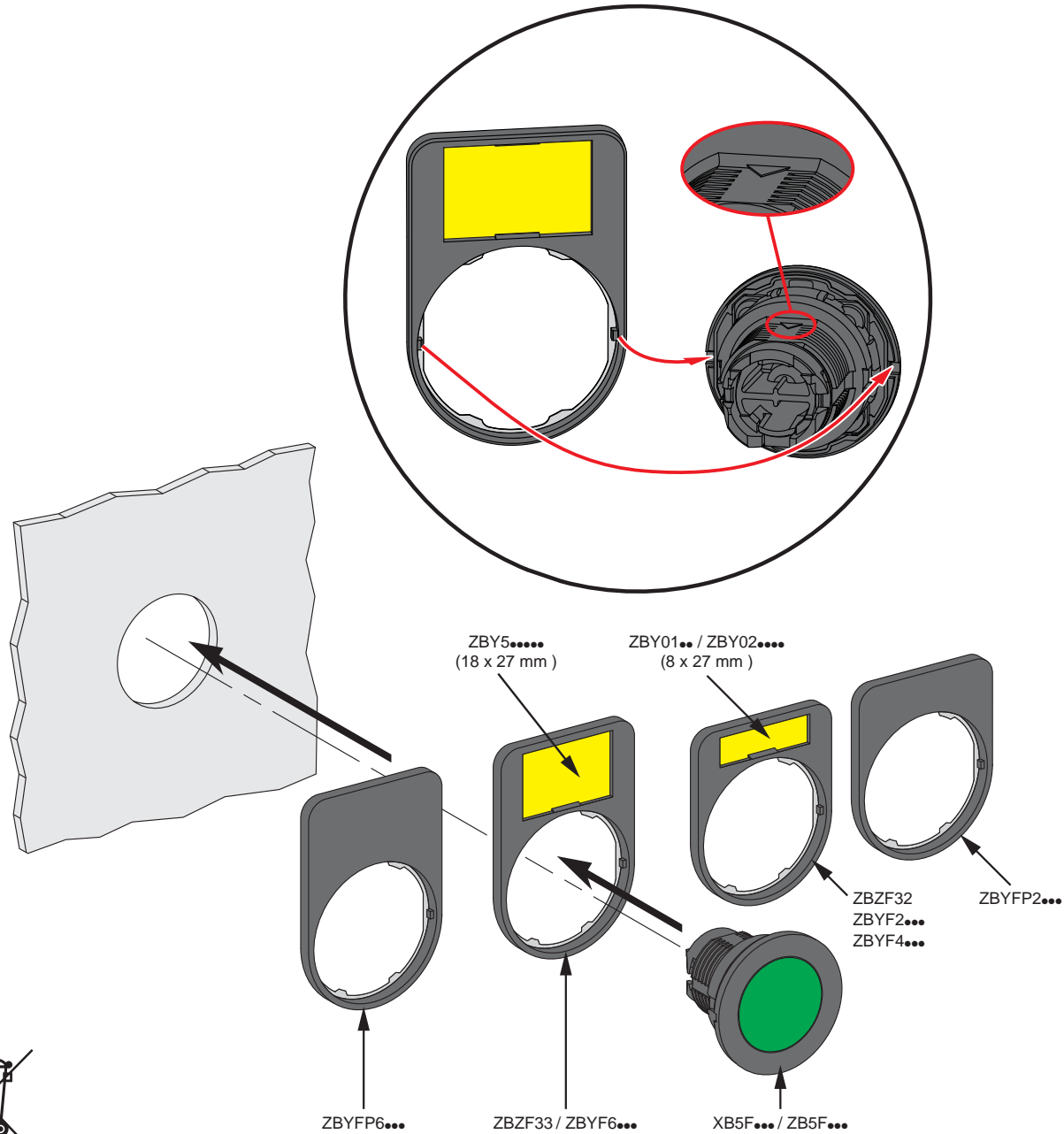




For use on flat surface of a type 4, type 4X, type 12, and type 13



ZBZF32 / ZBYFP2... / ZBYF2... / ZBYF4...
X = 50mm / 1.97 in
ZBZF33 / ZBYFP6... / ZBYF6...
X = 60mm / 2.36 in



WARNING

UNINTENDED EQUIPMENT OPERATION

- Install the XB4F... / ZB4F... and XB5F... / ZB5F... following the installation conditions described in their own instruction sheet.
- Hole shape and diameter must comply with the specifications provided in this document.
- Install the ZBZF32 / ZBZF33 / ZBYFP2... / ZBYFP6... following the installation conditions described in this document.

Failure to follow these instructions can result in death, serious injury, or equipment damage.

Electrical equipment should be installed, operated, serviced, and maintained only by qualified personnel.
No responsibility is assumed by Schneider Electric for any consequences arising out of the use of this material.

