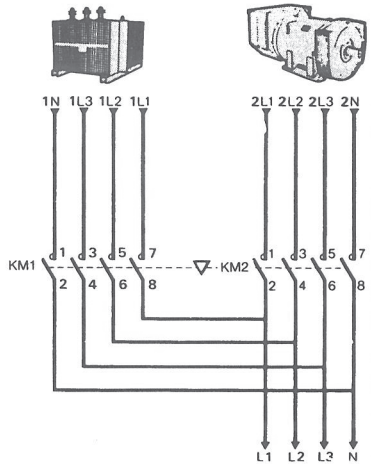
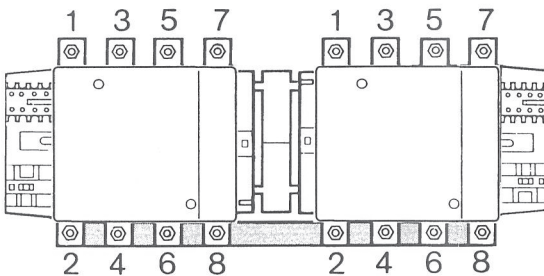
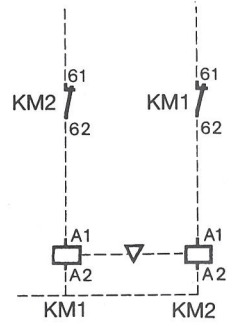
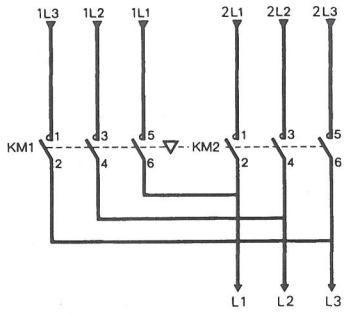
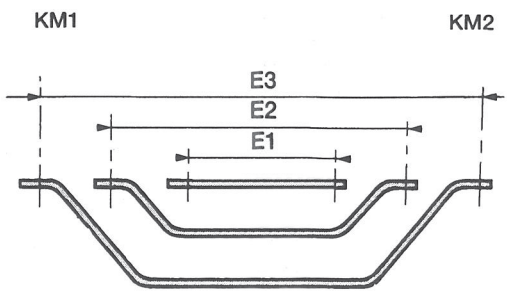


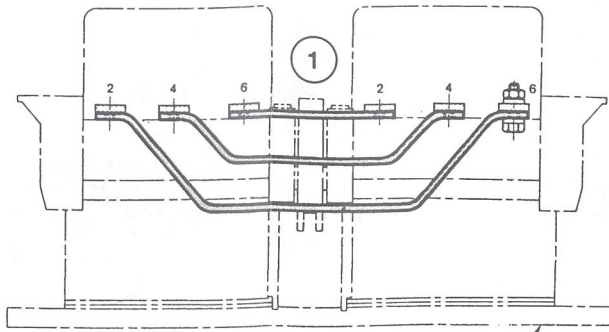
KM1 = KM2	KM1 = KM2
LC1-F115	LC1-F1154
LC1-F150	LC1-F1504
LC1-F185	LC1-F1854
LC1-F225	LC1-F2254
LC1-F265	LC1-F2654
LC1-F330	LC1-F3304
LC1-F400	LC1-F4004
LC1-F500	LC1-F5004
LC1-F630	LC1-F6304



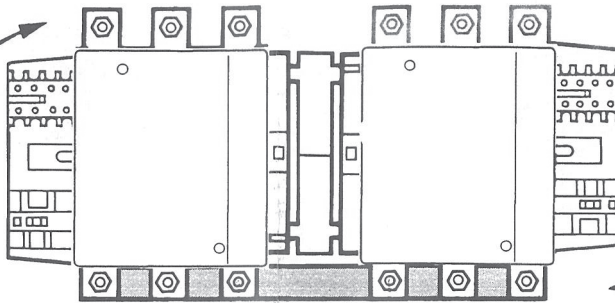


KM1 = KM2		E1	E2	E3
LC1-F115	LA9-FF982	77	151	225
LC1-F150	LA9-F15082	71	151	231
LC1-F185	LA9-FG982	78	158	238
LC1-F225	LA9-F22582	62	158	254
LC1-F265	LA9-FH982	100	196	292
LC1-F330/400	LA9-FJ982	107	203	299
LC1-F500	LA9-FK982	112	222	332
LC1-F630	LA9-FL982	137	297	457

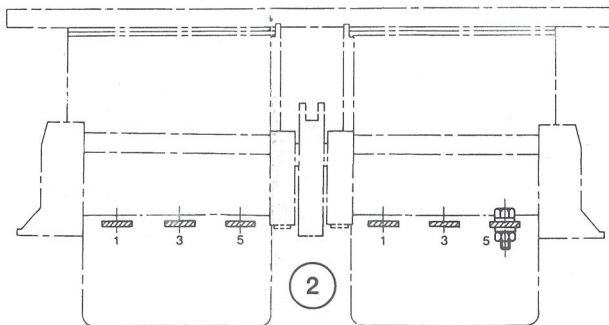




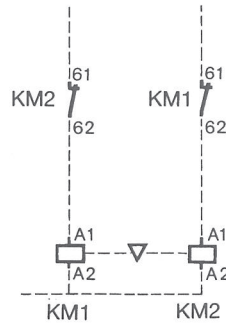
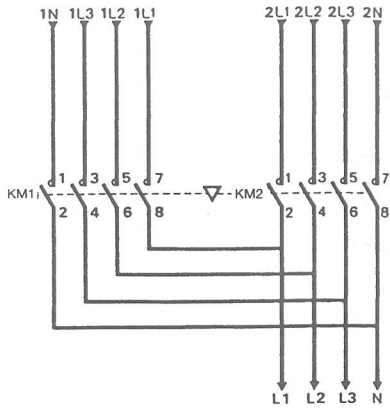
② AMU-32.../AM1-EC...



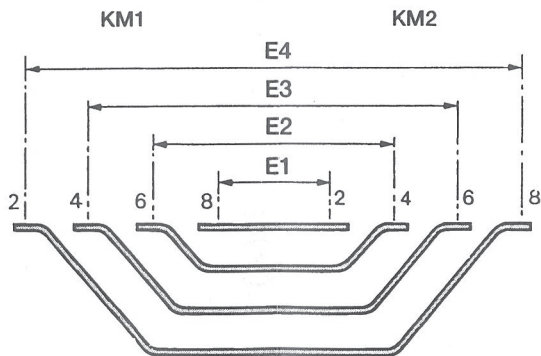
①

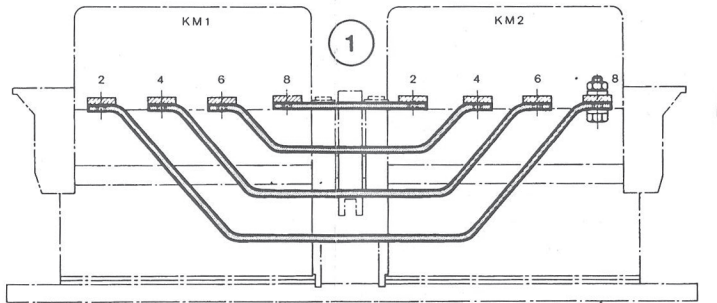


②



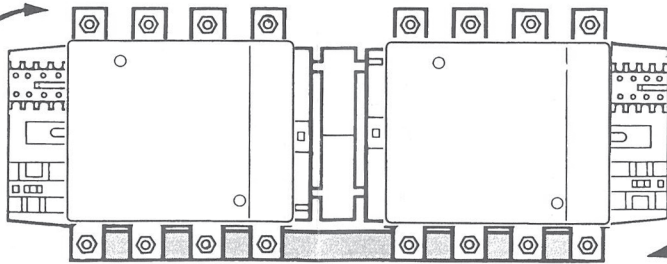
KM1 = KM2		E1	E2	E3	E4
LC1-F1154	LA9-FF977	77	151	225	299
LC1-F1504	LA9-F15077	71	151	231	311
LC1-F1854	LA9-FG977	78	158	238	318
LC1-F2254	LA9-F22577	54	150	246	342
LC1-F2654	LA9-FH977	100	196	292	388
LC1-F3304/4004	LA9-FJ977	107	203	299	395
LC1-F5004	LA9-FK977	112	222	332	442
LC1-F6304	LA9-FL977	137	297	457	617



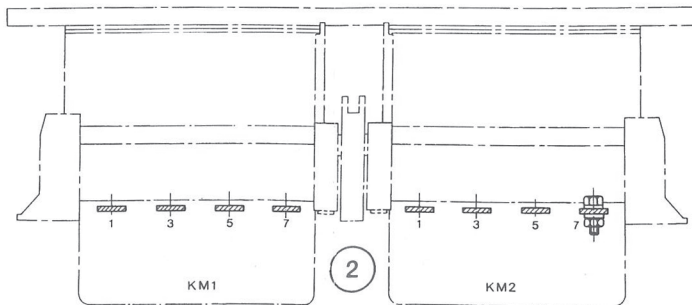


②

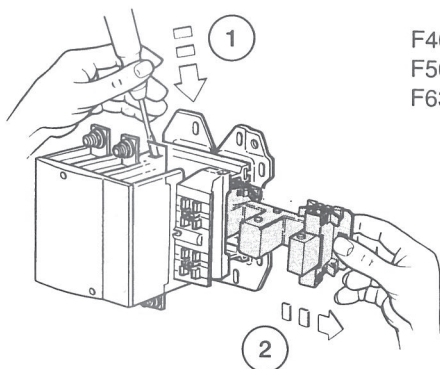
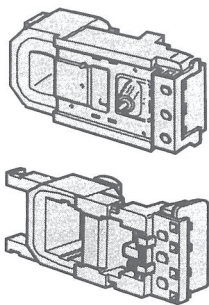
AMU-32.../AM1-EC...



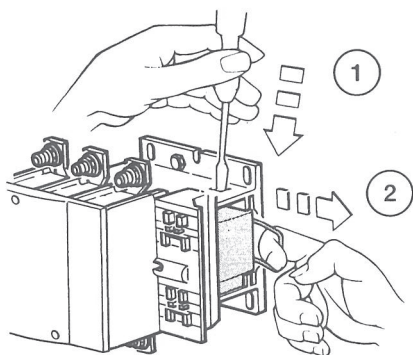
①



②



F400  
F500  
F630



F115  
F150  
F185  
F225  
F265  
F330

