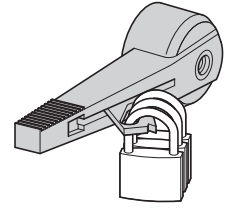


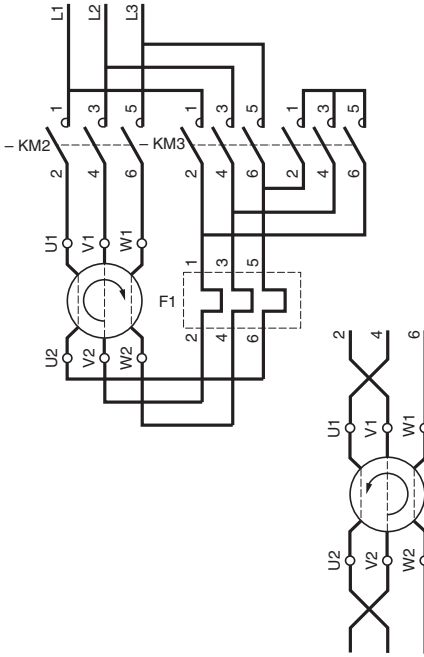
3 ~ 50/60 Hz $\theta \leq 55^\circ\text{C}$ (131°F)

	220/380 V		380/660 V		415/720 V		440/762 V		LR2D●●●	aM (A)
	kW	HP/Ch	kW	HP/Ch	kW	HP/Ch	kW	HP/Ch		
09	4	5,5	7,5	10	7,5	10	7,5	10	1314	10x38 { 20 25
12	5,5	7,5	11	15	11	15	11	15	1316	
18	11	15	18,5	25	22	30	22	30	1322	14x51 { 40 63
32	15	20	25	35	30	40	30	40	2355	
40	18,5	25	37	50	37	50	37	50	3357	22x58 { 80 125
50	30	40	55	75	59	80	59	80	3361	
80	37	50	75	100	75	100	75	100	3363	0 { 160

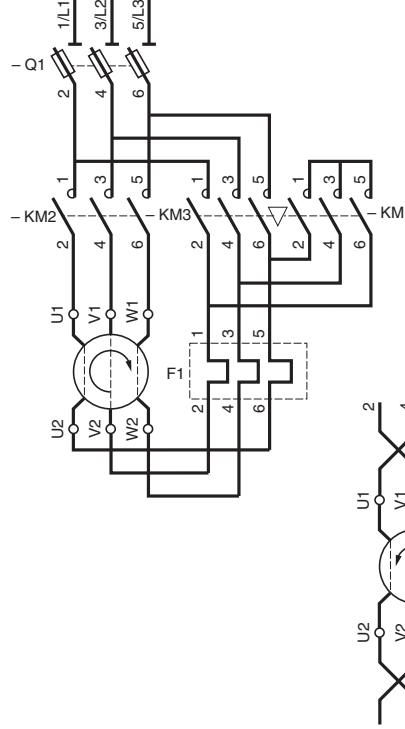
LE3 D096...D506



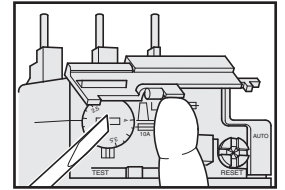
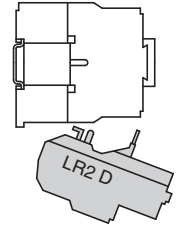
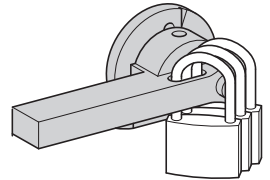
LE3 D095...D805 / LC3 D40...D80



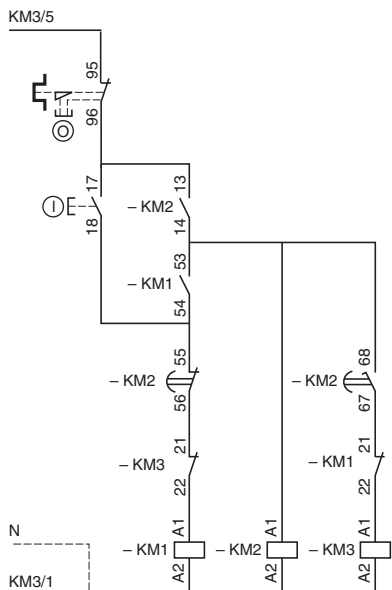
LE3 D096...D806



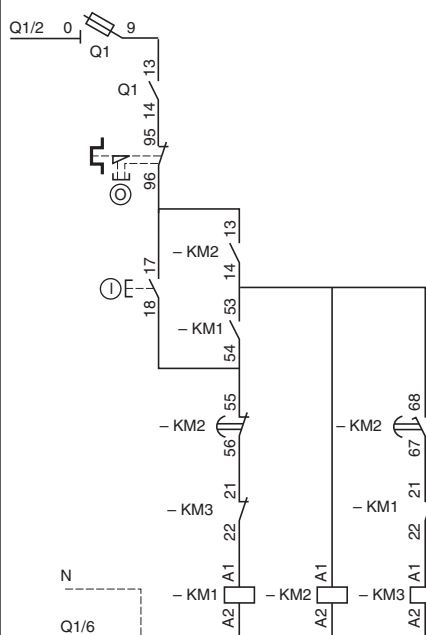
LE3 D806



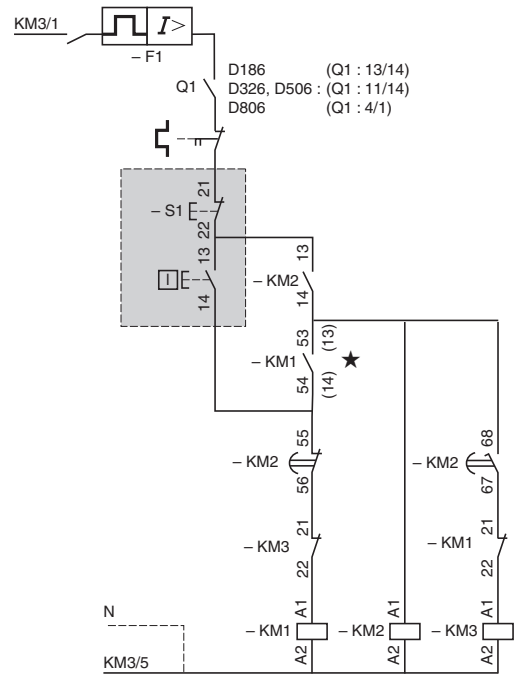
LE3 D095...D805 / LC3 D40...D80



LE3 D096...D126



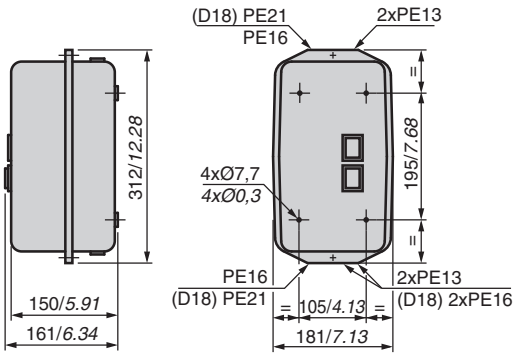
LE3 D186...D806



★ LE3 D50...D80

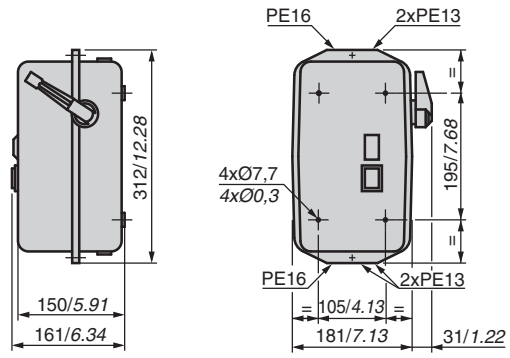
LE3 D095/D125/D185

mm
inch



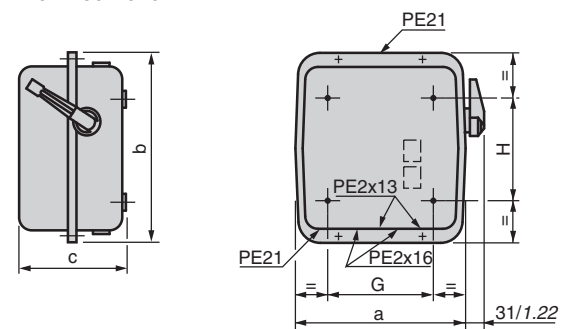
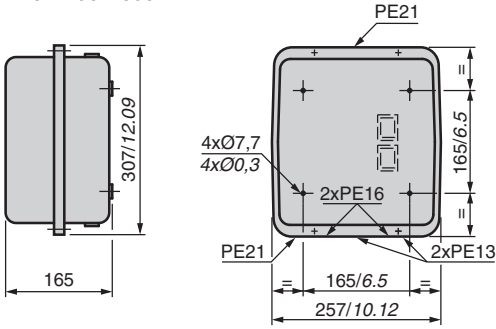
LE3 D096/D126

mm
inch



LE3 D405/D505

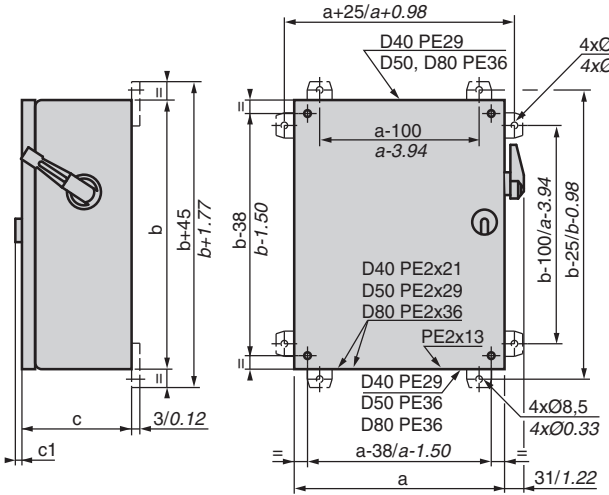
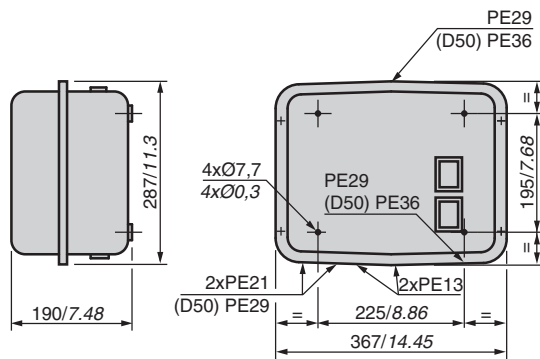
LE3 D186/D326



LE3	a	b	c	G	H
D18	257/10.12	307/12.09	165/12.09	165/6.5	165/6.5
D32	287/11.30	367/14.45	190/7.48	195/7.68	225/8.86

LE3 D805

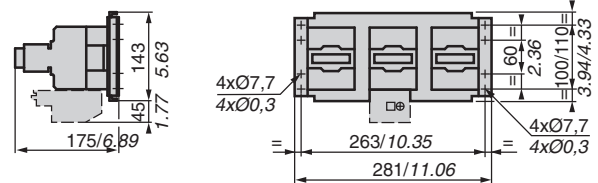
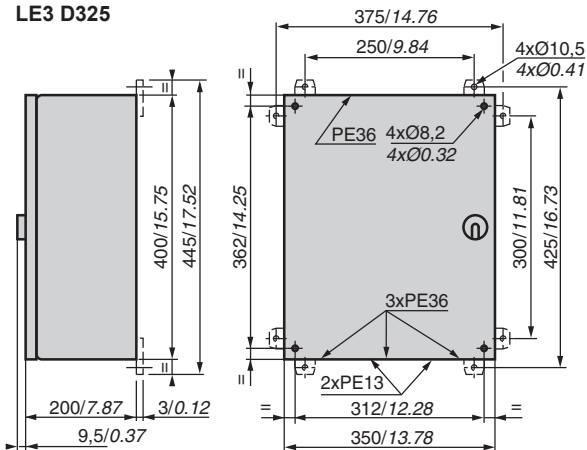
LE3 D406/D506/D806



LE3	a	b	c	c1
D40, D50	400/15.75	500/19.69	200/7.87	9.5/0.37
D80	500/19.69	700/27.56	250/9.84	6.3/0.25

LE3 D325

LC3 D40/D50



LC3 D80

