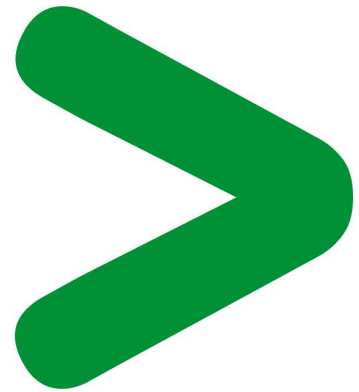
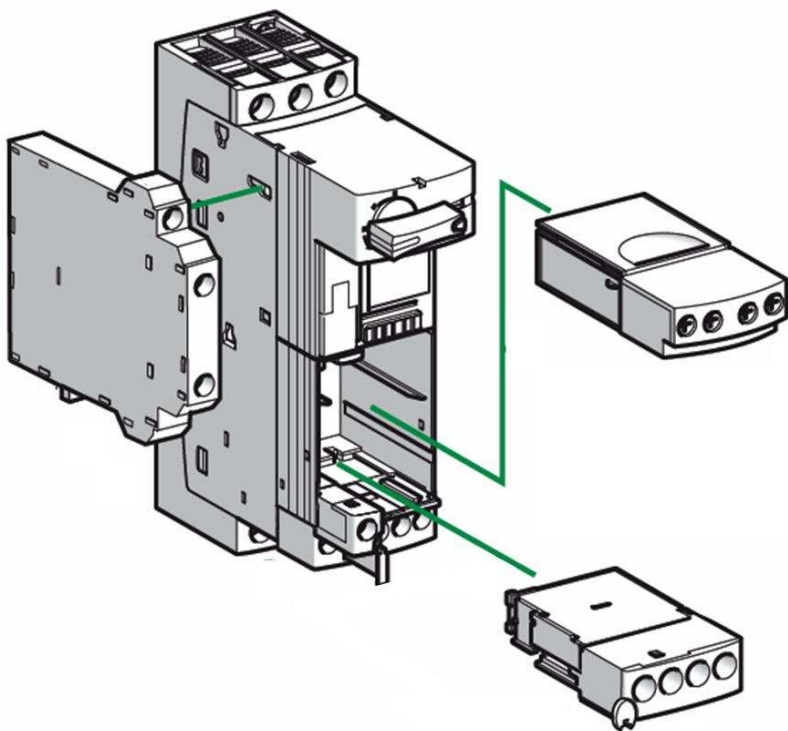


PEP information for auxiliaries and accessories

Tesys U power base



Environmental impacts for auxiliaries and accessories

Schneider-Electric publishes the product environmental impacts of the main function of the offer in the PEP document. It is the Product Environmental Profile of this main function product. The “PEP information for auxiliaries and accessories” document completes the product environmental information included in the PEP with impact information for auxiliaries and accessories.

These auxiliaries and accessories environmental impacts are presented as average percentages of the impact of the main function disclosed in the PEP.

Main function product overview

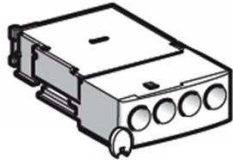
This “PEP information for auxiliaries and accessories” document completes the impact information for Tesys U power base which is the main function of the range.

Environmental impacts are included in the PEP “Tesys U power base”. Reference is ENVPEP080204EN_V0.

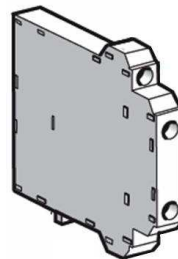
Auxiliaries and accessories overview

The functions of these auxiliaries ranges are:

- To identify the load running mode: operation allowed / fault-triggered / off. There are two locations for installing contacts: in a function module cavity (plug-in box) or on the side of the power base (side-mounting box).



LUA1C20



LUA8E20

- To control the reverser block and indicate the status of the power poles: ON/OFF. It consists of additional plug-in module with 2 auxiliary contacts.



LUFN20

The representative products used for the LCA are LUA1C20 and LUFN20.

The environmental analysis was performed in conformity with ISO 14040.

Environmental impacts

The impacts of auxiliaries and accessories of the Tesys U power base range are in the table hereunder.

The auxiliaries and accessories types are grouped in categories with the same average percentage. The impact indicators percentages are common for :

- the RMD indicator (Raw Material Depletion) ,
- the 10 other indicators of the PEP.

To evaluate the impacts of one auxiliary or accessory, you should apply these percentages to the impact of the main function which is disclosed in the PEP.

These impacts have to be added to the impacts of the main function depending on the number of auxiliaries and accessories used.

Main function Product :	Tesys U power base
Category of auxiliary or accessory	All auxiliaries
RMD	15%
Other impact indicators	5%

Life cycle assessment studies has been performed with the EIME software (Environmental Impact and Management Explorer), version 4.1, and with its database version 11.0.

Schneider Electric Industries SAS

35, rue Joseph Monier
CS 30323
F- 92506 Rueil Malmaison Cedex
RCS Nanterre 954 503 439
Capital social 896 313 776 €

www.schneider-electric.com