

# Magelis USB Keyboard

Quick Reference Guide

Guide de Référence Rapide

Kurzanleitung

Guía de Referencia Rápida

Guida di Riferimento Rapida

Guía de Referência Rápida

快速参考指南

07/2016

 **WARNING****UNINTENDED EQUIPMENT OPERATION**

- Do not use the unit as the only means of control for critical system functions such as motor start/stop or power control.

**Failure to follow these instructions can result in death, serious injury, or equipment damage.**

 **WARNING****LOSS OF CONTROL**

- The designer of any control scheme must consider the potential failure modes of control paths and, for certain critical control functions, provide a means to achieve a safe state during and after a path failure.
- The machine control system design must take into account the possibility of the backlight no longer functioning and the operator being unable to control the machine, or making errors in the control of the machine.

**Failure to follow these instructions can result in death, serious injury, or equipment damage.**

 **WARNING****HAZARD OF ELECTRIC SHOCK OR EXPLOSION**

- Do not disassemble or remodel the unit in any way.
- Do not use the unit in areas where flammable gases are present.
- Do not allow water to enter the connector.
- Do not touch the connector with wet hands.

**Failure to follow these instructions can result in death, serious injury, or equipment damage.**

 **WARNING****UNINTENDED EQUIPMENT OPERATION OR LOSS OF CONTROL**

- Do not use the unit at temperatures outside the range specified in this guide.
- Do not use or store the unit at very high temperatures.
- Do not use or store the unit in direct sunlight or excessively dusty or dirty environments.
- Do not use or store the unit in an environment where it may be exposed to chemical vapors or fumes.

**Failure to follow these instructions can result in death, serious injury, or equipment damage.**

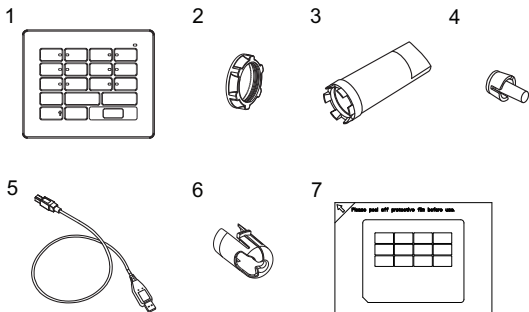
 **CAUTION****BROKEN EQUIPMENT**

- Do not use sharp objects or tools to operate the unit.

**Failure to follow these instructions can result in injury or equipment damage.**

## Package Contents

The following items are included in the Magelis USB Keyboard package (HMIZKB1). Before using the unit, please confirm that all items listed here are present.



- 1 Magelis USB Keyboard (1)
- 2 Installation Nut (1)
- 3 Tightening wrench (1)
- 4 Anti-rotation Tee (1)
- 5 USB cable (Type A/mini-B, 1.8 m (5.91 ft.)) (1)
- 6 USB clamp (Type mini-B) (1)
- 7 Replaceable Label for function keys (1)
- 8 Installation Guide <this document>

This unit has been carefully packed, with special attention to quality. However, should you find anything damaged or missing, please contact your local distributor immediately.

## About the Manual

This manual describes wiring and installation procedures. For more detailed information, refer to the Editing Software manual below.

Manual	Contents
Reference Manual	Using the Magelis USB Keyboard.

You can select the manuals from the Vijeo Designer (Ver6.2 or later) help menu, or download the manuals from the Schneider Electric Home Page.

URL
<a href="http://www.schneider-electric.com/">http://www.schneider-electric.com/</a>

## General Specifications

### General Specifications

Connector Type	USB I/F	Type mini-B (socket), USB 2.0 Full Speed
----------------	---------	--

### Electrical Specifications

Power Supply	Rated Input Voltage	5 Vdc (Powered from USB bus)
	Input Voltage Limits	4.75...5.25 Vdc
	Power Consumption	0.75 W or less

### Environmental Specifications

Physical Environment	Surrounding Air Operating Temperature	0...55 °C (32...131 °F)
	Storage Temperature	-20...60 °C (-4...140 °F)
	Surrounding Air and Storage Humidity	10...90% RH (Non-condensing, wet bulb temperature 39 °C [102.2 °F] or less)
	Dust	0.1 mg/m <sup>3</sup> (10 <sup>-7</sup> oz/ft <sup>3</sup> ) or less (non-conductive levels)
	Pollution Degree	For use in Pollution Degree 2 environment
	Corrosive Gasses	Free of corrosive gas
	Operating Altitude	2000 m [6561 ft] or lower
Mechanical Environment	Vibration Resistance	IEC/EN 61131-2 compliant 5...9 Hz Single amplitude 3.5 mm (0.14 in.) 9...150 Hz Fixed acceleration: 9.8 m/s <sup>2</sup> X, Y, Z directions for 10 cycles (100 min.)
	Concussion Resistance	IEC/EN 61131-2 compliant (147 m/s <sup>2</sup> , X, Y, Z directions for 3 times)
Electrical Environment	Electrical fast transient/burst	IEC61000-4-4 2 kV Power port (Display unit) 1 kV Signal ports
	Electrostatic Discharge Immunity	IEC61000-4-2 6 kV Contact discharge 8 kV Air discharge

## External Specifications

External Dimensions	W97.6 x H80.0 x D31.5 mm (W3.84 x H3.15 x D1.24 in.)
Structure*1	IP65 UL50E TYPE 4X (Indoor Use Only) (on the front panel when properly installed in an enclosure)
Weight	150 g (0.33 lb) or less

\*1. The front face of the unit, installed in a solid panel, has been tested using conditions equivalent to the standards shown in the specification. Even though the unit's level of resistance is equivalent to the UL50E TYPE 4X, oils that should have no effect on the unit can possibly harm the panel. Therefore, prior to installing the unit, be sure to confirm the type of conditions that will be present in the unit's operating environment.

If the installation gasket is used for a long period of time, or if the unit and its gasket are removed from the panel, the original level of protection cannot be kept.

### DANGER

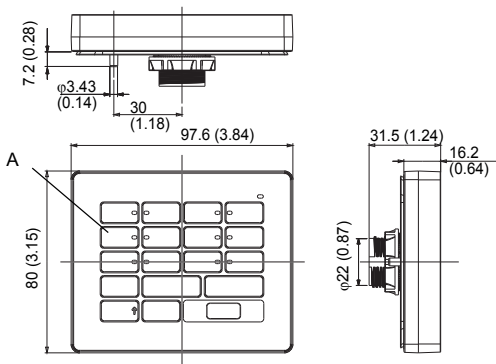
#### POTENTIAL FOR EXPLOSION

- Verify that the power, input and output (I/O) wiring are in accordance with Class I, Division 2 wiring methods.
- Substitution of any component may impair suitability for Class I, Division 2.
- Do not disconnect equipment while the circuit is live or unless the area is known to be free of ignitable gases concentrations.
- Remove power before attaching or detaching any connectors to or from this product.
- Ensure that power, communication, and accessory connections do not place excessive stress on the ports. Consider the vibration in the environment when making this determination.
- Securely attach power, communication, and external accessory cables to the panel or cabinet.
- Suitable for use in Class I, Division 2, Groups A, B, C, and D Hazardous Locations.
- Confirm that the USB cable has been attached with the USB cable clamp before using the USB interface.

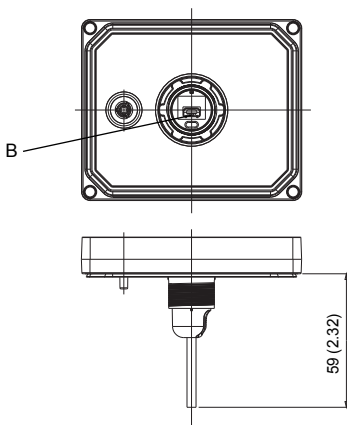
**Failure to follow these instructions will result in death or serious injury.**

## Dimensions

### External Dimensions [mm (in.)]



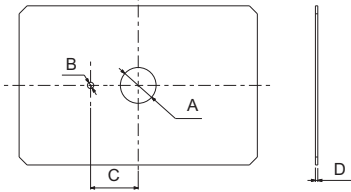
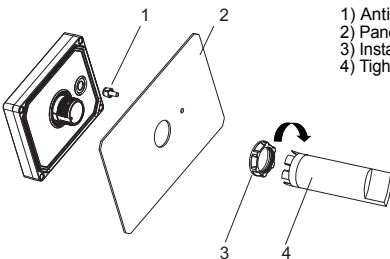
### Dimensions with cable [mm (in.)]



A. Num Key / Function Key

B. USB (Type mini-B) Interface

## Installation

Step	Action								
1	<p>Create a panel cut-out and insert the unit into the panel from the front. The following illustration shows the panel cut-out for the unit:</p>  <table border="1" data-bbox="225 567 919 728"> <thead> <tr> <th>A</th> <th>B</th> <th>C</th> <th>D</th> </tr> </thead> <tbody> <tr> <td>22.50<sup>+0</sup><sub>-0.30</sub> mm (0.88<sup>+0</sup><sub>-0.01</sub> in.)</td> <td>4<sup>+0</sup><sub>-0.20</sub> mm (0.15<sup>+0</sup><sub>-0.007</sub> in.)</td> <td>30<sup>+0</sup><sub>-0.20</sub> mm (1.18<sup>+0</sup><sub>-0.007</sub> in.)</td> <td>1.5...6 mm (0.06...0.23 in.)</td> </tr> </tbody> </table>	A	B	C	D	22.50 <sup>+0</sup> <sub>-0.30</sub> mm (0.88 <sup>+0</sup> <sub>-0.01</sub> in.)	4 <sup>+0</sup> <sub>-0.20</sub> mm (0.15 <sup>+0</sup> <sub>-0.007</sub> in.)	30 <sup>+0</sup> <sub>-0.20</sub> mm (1.18 <sup>+0</sup> <sub>-0.007</sub> in.)	1.5...6 mm (0.06...0.23 in.)
A	B	C	D						
22.50 <sup>+0</sup> <sub>-0.30</sub> mm (0.88 <sup>+0</sup> <sub>-0.01</sub> in.)	4 <sup>+0</sup> <sub>-0.20</sub> mm (0.15 <sup>+0</sup> <sub>-0.007</sub> in.)	30 <sup>+0</sup> <sub>-0.20</sub> mm (1.18 <sup>+0</sup> <sub>-0.007</sub> in.)	1.5...6 mm (0.06...0.23 in.)						
2	<p>Insert the unit into the panel hole. Screw in the nut using torque of 1.2...2 N•m (10.62...17.70 lb-in)</p>  <ol style="list-style-type: none"> <li>1) Anti-rotation Tee</li> <li>2) Panel</li> <li>3) Installation Nut</li> <li>4) Tightening wrench</li> </ol> <p><b>Note :</b></p> <ul style="list-style-type: none"> <li>• Remove the USB cable before removing the unit.</li> <li>• If using an anti-rotation tee, insert it into the unit securely.</li> </ul>								



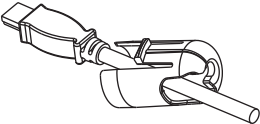
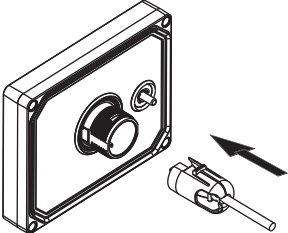
**⚠ DANGER****HAZARD OF ELECTRIC SHOCK, EXPLOSION OR ARC FLASH**

- Remove all power from the device before removing any covers or elements of the system, and prior to installing or removing any accessories, hardware, or cables.
- Unplug the power cable from the Module the power supply.
- Always use a properly rated voltage sensing device to confirm power is off.
- Replace and secure all covers or elements of the system before applying power to this product.

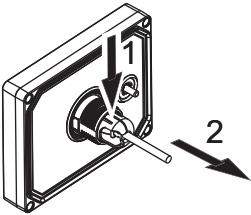
**Failure to follow these instructions will result in death or serious injury.**

**USB Clamp**

## Attachment

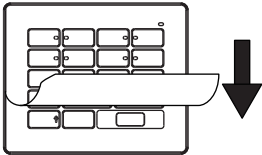
Step	Action
1	Pass the USB cable through the USB clamp. 
2	Insert the USB cable into the USB (Type mini-B) interface on the unit. Insert the USB clamp into the mounting hole. 

## Removal

Step	Action
1	Hold the locking tab of the clamp and pull to remove it. 

## Replaceable Label for function keys

Use the replaceable label to change the labels on the key.

Step	Action
1	Peel off the protective sheet of the replaceable label.
2	Print a new label onto the replaceable label. <b>Note :</b> <ul style="list-style-type: none"> <li>• The replaceable label is A6 size. For more detailed information on the printing method, refer to the Editing Software manual.</li> <li>• If you rub the replaceable label hard, the print on the replaceable label may come off.</li> </ul>
3	Attach the replaceable label.  <p><b>Note :</b> When replacing the replaceable label, slowly peel off the chamfered part on the lower left of the label. If not, the film of the unit may peel off.</p>

## Options

### Wall-mounting Attachment Options

Product Name	Model No.	Description
Wall-mounting Attachment	HMIZWMKB1	This attachment allows you to mount the Magelis USB Keyboard on the wall. Please use it when holding the Magelis USB Keyboard in your hands.
USB Front Cable	XBTZGUSB	Extension cable attaching USB (Type A) interface to front panel.

### Maintenance Options

Product Name	Model No.	Description
Installation Nut	ZB5AZ901	Nut for installation to a solid panel (10 pcs/set)
Tightening wrench	ZB5AZ905	Tightening wrench to tighten and loosen the installation nut. (1piece/set)
Replaceable Label for function keys	HMIZLYKB1	Replaceable Label for function keys (5sheet/set)
Accessories Kit for Magelis USB Keyboard	HMIZKITKB1	Anti-rotation Tee (5pcs), USB cable clamp to prevent disconnection (USB/mini-B, 1 port, 5pcs)

---

---

## Relevant Standards

---

The unit is manufactured in accordance with:

- Standard UL 508 and CSA C22.2 n°142 for Industrial Control Equipment
- Standard ANSI/ISA - 12.12.01 and CSA C22.2 n°213 for Electrical Equipment for Use in Class I, Division 2 Hazardous Locations

**Note :**

- For use in Pollution Degree 2 environments.
- For use on a flat surface of a Type 1 or Type 4X (Indoor Use Only) Enclosure.
- Suitable for use in Class I, Division 2, Groups A, B, C and D Hazardous Locations, or Non-hazardous Locations only.

For information on certifications and standards, such as certified models and certificates, see the following or product markings.

<http://www.schneider-electric.com/>



**DANGER**

### POTENTIAL FOR EXPLOSION

- Always confirm that this product is suitable for use in hazardous locations by checking that the ANSI/ISA 12.12.01 or CSA C22.2 N°213 certification appears on the product labeling.
- Do not attempt to install, operate, modify, maintain, service, or otherwise alter this product except as permitted in this manual. Unpermitted actions may impair the suitability of this product for Class I, Division 2 operation.
- To power on or power off this product installed in a Class I, Division 2 hazardous location, you must either:
  - Use a switch located outside the hazardous environment, or
  - Use a switch certified for Class I, Division 1 operation inside the hazardous area.
- Do not disconnect equipment unless power has been switched off or the area is known to be non-hazardous. This applies to all connections including power, ground, serial, parallel, and network connections.
- Never use unshielded/ungrounded cables in hazardous locations.
- When enclosed, keep enclosure doors and openings closed at all times to avoid the accumulation of foreign matter inside the workstation.
- Securely lock externally connected units and each interface before turning on the power supply.
- Do not use, connect, or disconnect USB cable unless area is known to be nonhazardous.
- Potential electrostatic charging hazard: wipe the front panel of the terminal with a damp cloth before turning ON.

**Failure to follow these instructions will result in death or serious injury.**


**CAUTION**
**ENVIRONMENTAL HAZARDS TO THE EQUIPMENT**

- Allow the unit to reach the surrounding air temperature, not exceeding the 55°C (131°F), before turning the unit on.
- Do not turn on the unit if condensation has occurred inside the unit. After it is completely dry again, the unit may be turned on.
- Do not expose the unit to direct sunlight.
- Remove any dust from the unit before turning it on.
- Ensure that the USB cable Clamp is not damaged. Replace them, if necessary.

**Failure to follow these instructions can result in injury or equipment damage.**

The unit is a device for use in factory systems.

When using the unit in a system, the system should comply with the following standards in regards to the installation environment and handling.

- Standard WEEE, Directive 2012/19/EU
- Standard RoHS, Directive 2011/65/EU
- Standard RoHS China, Standard SJ/T 11364

**CE Markings**

This product conforms to the necessary requirements of the following Directives for applying the CE label:

- 2004/108/EC EMC Directive

This conformity is based on compliance with EN61131-2, EN61000-6-4, EN61000-6-2

**KC Markings**사용자안내문

기종별	사용자안내문
A급 기기 (업무용 방송통신기자재)	이 기기는 업무용(A급) 전자파적합기기로서 판매자 또는 사용자는 이 점을 주의하시기 바라며, 가정외의 지역에서 사용하는 것을 목적으로 합니다.

---

**NOTE**

Please be aware that Schneider Electric shall not be held liable by the user for any damages, losses, or third party claims arising from the use of this product.



 **AVERTISSEMENT****FONCTIONNEMENT NON PRÉVU DE L'ÉQUIPEMENT**

- Ne pas utiliser pas l'unité comme moyen unique de commande de fonctions critiques des systèmes telles que le démarrage/l'arrêt du moteur ou commande d'alimentation.

**Le non-respect de suivre ces instructions peut entraîner la mort, des blessures graves ou des dommages matériels.**

 **AVERTISSEMENT****PERTE DE CONTROLE**

- Le concepteur d'un circuit de commande doit tenir compte des modes de défaillance potentiels des canaux de commande et, pour certaines fonctions de commande critiques, prévoir un moyen d'assurer la sécurité en maintenant un état sûr pendant et après la défaillance.
- Diverses situations doivent être prises en compte au moment de la conception du système de commande d'une machine : défaillance éventuelle du rétroéclairage, impossibilité pour l'opérateur de commander la machine, ou erreurs de l'opérateur dans la commande de la machine.

**Le non-respect de suivre ces instructions peut entraîner la mort, des blessures graves ou des dommages matériels.**

 **AVERTISSEMENT****RISQUE DE CHOC ÉLECTRIQUE OU D'EXPLOSION**

- Ne pas démonter ou modifier l'appareil de quelque façon que ce soit.
- Ne pas utiliser l'appareil dans des zones où des gaz inflammables sont présents.
- Ne pas laisser l'eau pénétrer dans le connecteur.
- Ne pas toucher le connecteur avec les mains mouillées.

**Le non-respect de suivre ces instructions peut entraîner la mort, des blessures graves ou des dommages matériels.**





## AVERTISSEMENT

### FONCTIONNEMENT NON PRÉVU DE L'ÉQUIPEMENT OU PERTE DE CONTRÔLE

- Ne pas utiliser l'appareil à des températures en dehors de la plage spécifiée dans ce guide.
- Ne pas utiliser ou stocker l'appareil à des températures très élevées.
- Ne pas utiliser ou stocker l'appareil à la lumière directe du soleil ou dans des environnements excessivement sales ou poussiéreux.
- Ne pas utiliser ou stocker l'appareil dans un environnement où il peut être exposé aux vapeurs ou aux émanations chimiques.

**Le non-respect de suivre ces instructions peut entraîner la mort, des blessures graves ou des dommages matériels.**



## ATTENTION

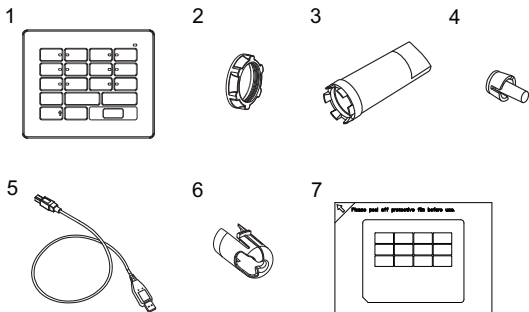
### ÉQUIPEMENT DÉFECTUEUX

- N'utilisez pas d'objets ou d'outils pointus pour faire fonctionner l'appareil.

**Le non-respect de suivre ces instructions peut entraîner des blessures corporelles ou des dommages matériels.**

## Contenu de l'emballage

L'emballage du clavier USB Magelis (HMIZKB1) comprend les éléments suivants. Confirmer que tous sont présents avant d'utiliser l'unité.



- 1 Clavier USB Magelis (1)
- 2 Écrou de montage (1)
- 3 Clé de serrage (1)
- 4 Téton antirotation (1)
- 5 Câble USB (Type A/mini-B, 1,8 m (5,91 ft.)) (1)
- 6 Attache USB (Type mini-B) (1)
- 7 Étiquette remplaçable pour les touches de fonction (1)
- 8 Guide de montage <ce document>

Cette unité a été emballée avec soin, une attention particulière ayant été portée à la qualité.

Si toutefois vous constatez que des éléments sont endommagés ou manquants, contactez immédiatement votre distributeur local.

## À propos du manuel

Ce manuel décrit les procédures de câblage et de montage. Pour de plus amples informations, consultez le manuel du Logiciel d'Édition ci-dessous.

Manuel	Table des matières
Manuel de référence	Utilisation du clavier USB Magelis.

Vous pouvez sélectionner les manuels à partir du menu d'aide de Vijeo Designer (version 6.2 ou ultérieure) ou télécharger les manuels depuis la page d'accueil de Schneider Electric.

Adresse URL
<a href="http://www.schneider-electric.com/">http://www.schneider-electric.com/</a>

## Caractéristiques générales

### Caractéristiques générales

Type de connecteur	Interface USB	Type mini-B (prise), USB 2.0 pleine vitesse
--------------------	---------------	---

### Caractéristiques électriques

Alimentation électrique	Tension d'entrée nominale	5 Vdc (alimenté à partir du bus USB)
	Limites de tension d'entrée	4,75...5,25 Vdc
	Consommation	0,75 W ou moins

### Caractéristiques environnementales

Environnement physique	Température de fonctionnement de l'air ambiant	0...55 °C (32...131 °F)
	Température de stockage	-20...60 °C (-4...140 °F)
	Température de l'air ambiant et humidité de stockage	10...90 % RH (sans condensation, température de bulbe humide 39 °C [102,2 °F] ou moins)
	Poussière	0,1 mg/m <sup>3</sup> (10 <sup>-7</sup> oz/ft <sup>3</sup> ) ou moins (non conductrice)
	Degré de pollution	A utiliser dans un environnement de degré de pollution 2
	Gaz corrosifs	Aucun gaz corrosif
	Altitude d'utilisation	2000 m [6561 ft] ou moins
Environnement mécanique	Résistance aux vibrations	Conforme à la norme IEC/EN 61131-2 Amplitude simple 5 à 9 Hz 3,5 mm (0,14 in.) Accélération fixe 9 à 150 Hz: 9,8 m/s <sup>2</sup> Directions X, Y, Z pour 10 cycles (100 minutes)
	Résistance aux chocs	Conforme à la norme IEC/EN 61131-2 (147 m/s <sup>2</sup> , directions X, Y, Z pour 3 répétitions)
Environnement électrique	Transitoire rapide en salves électriques	IEC 61000-4-4 Port d'alimentation 2 kV (afficheur) Ports de signal 1 kV
	Immunité aux décharges électrostatiques	IEC 61000-4-2 6 kV de décharge de contact 8 kV de décharge d'air

---

**Caractéristiques externes**

Dimensions extérieures	L 97,6 x H 80,0 x P 31,5 mm (L 3,84 x H 3,15 x P 1,24 in.)
Structure *1	IP65 UL50E TYPE 4X (Utilisation intérieure uniquement) (sur le panneau avant quand installé correctement dans une enceinte)
Poids	150 g (0,33 lb) ou moins

- \*1. La face avant de l'unité, installée dans un panneau solide, a été testée dans des conditions équivalant aux normes indiquées dans les caractéristiques. Même si le niveau de résistance de l'appareil est équivalent à la norme UL50E TYPE 4X, les huiles qui ne doivent avoir aucun effet sur l'appareil peuvent endommager le panneau. Par conséquent, avant d'installer l'appareil, assurez-vous de confirmer le type de conditions présentes dans l'environnement de fonctionnement de l'appareil.  
Si le joint d'installation est vieux ou si l'unité et son joint sont retirés, le niveau de protection initial n'est plus garanti.

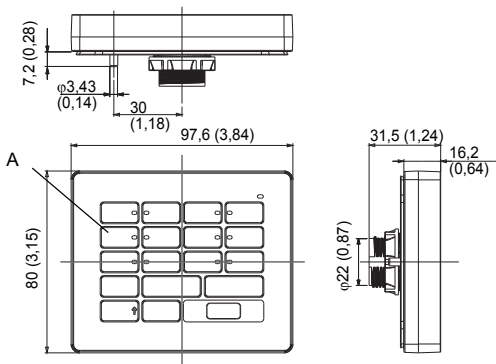
 **DANGER****RISQUE D'EXPLOSION**

- Vérifiez que l'alimentation, les câblages d'entrées et sorties (E/S) sont conformes aux méthodes de câblage de Classe I, Division 2.
- Le remplacement de n'importe quel composant peut nuire à la conformité à la Classe I, Division 2.
- Ne débranchez pas l'équipement tant que le circuit est sous tension ou sauf si la zone est exempte de concentrations de gaz inflammables.
- Coupez l'alimentation avant de brancher ou de débrancher tout connecteur du produit.
- Assurez-vous que les connexions d'alimentation, de communication et d'accessoires n'exercent pas de pression excessive sur les ports. Tenez compte également des éventuelles vibrations au moment d'effectuer ces branchements.
- Fixez correctement les câbles d'alimentation, de communication ou d'accessoires externes au panneau ou à l'armoire.
- Adapté à une utilisation dans les emplacements dangereux de classe I, division 2, groupes A, B, C et D.
- S'assurer qu'un câble USB est fixé à l'aide d'une attache pour câble USB avant d'utiliser l'interface USB.

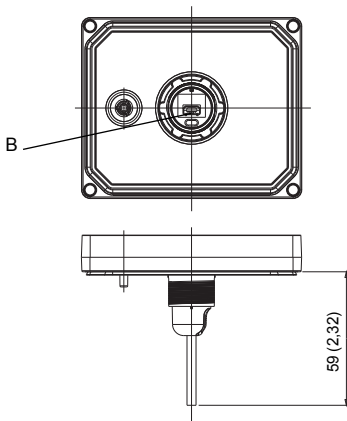
**Le non-respect de suivre ces instructions entraînera la mort ou des blessures graves.**

## Dimensions

Dimensions externes [mm (in.)]



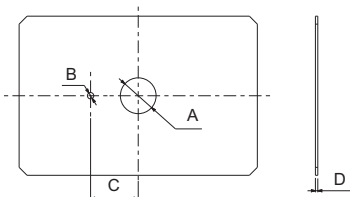
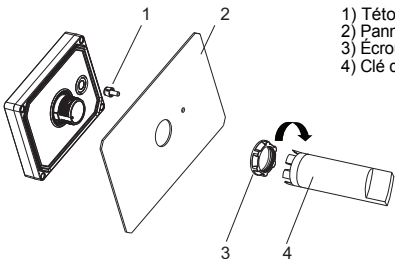
Dimensions avec câble [mm (in.)]



A. Touche numérique / Touche de fonction

B : Interface USB (Type mini-B)

# Installation

Étape	Action								
1	<p>Découpez le panneau, puis insérez l'unité face avant vers le dessus. L'illustration suivante présente la découpe de panneau pour l'unité:</p>  <table border="1" data-bbox="225 594 919 757"> <thead> <tr> <th>A</th> <th>B</th> <th>C</th> <th>D</th> </tr> </thead> <tbody> <tr> <td>22,50<sup>+0</sup><sub>-0,30</sub> mm (0,88<sup>+0</sup><sub>-0,01</sub> in.)</td> <td>4<sup>+0</sup><sub>-0,20</sub> mm (0,15<sup>+0</sup><sub>-0,007</sub> in.)</td> <td>30<sup>+0</sup><sub>-0,20</sub> mm (1,18<sup>+0</sup><sub>-0,007</sub> in.)</td> <td>1,5...6 mm (0,06...0,23 in.)</td> </tr> </tbody> </table>	A	B	C	D	22,50 <sup>+0</sup> <sub>-0,30</sub> mm (0,88 <sup>+0</sup> <sub>-0,01</sub> in.)	4 <sup>+0</sup> <sub>-0,20</sub> mm (0,15 <sup>+0</sup> <sub>-0,007</sub> in.)	30 <sup>+0</sup> <sub>-0,20</sub> mm (1,18 <sup>+0</sup> <sub>-0,007</sub> in.)	1,5...6 mm (0,06...0,23 in.)
A	B	C	D						
22,50 <sup>+0</sup> <sub>-0,30</sub> mm (0,88 <sup>+0</sup> <sub>-0,01</sub> in.)	4 <sup>+0</sup> <sub>-0,20</sub> mm (0,15 <sup>+0</sup> <sub>-0,007</sub> in.)	30 <sup>+0</sup> <sub>-0,20</sub> mm (1,18 <sup>+0</sup> <sub>-0,007</sub> in.)	1,5...6 mm (0,06...0,23 in.)						
2	<p>Insérez l'unité dans l'ouverture du panneau. Vissez l'écrou avec un couple de 1,2...2 N•m (10,62...17,70 lb-in)</p>  <ol style="list-style-type: none"> <li>1) Téton antirotation</li> <li>2) Panneau</li> <li>3) Écrou de montage</li> <li>4) Clé de serrage</li> </ol> <p><b>Remarque :</b></p> <ul style="list-style-type: none"> <li>• Retirez le câble USB avant de retirer l'unité.</li> <li>• Si vous utilisez un téton antirotation, insérez-le dans l'unité de façon sécuritaire.</li> </ul>								

## **⚠ DANGER**

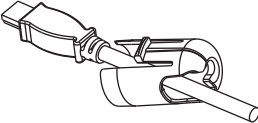
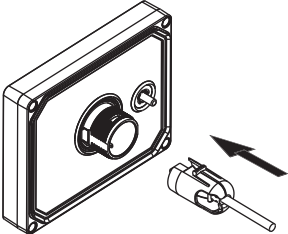
### **RISQUE D'ELECTROCUTION, D'EXPLOSION OU D'ARC ELECTRIQUE**

- Débranchez toutes les sources d'alimentation de l'appareil avant de retirer tout capot ou élément du système, et avant d'installer ou de retirer tout accessoire, élément matériel ou câble.
- Débranchez le câble d'alimentation du module et de l'alimentation électrique.
- Utilisez toujours un dispositif de mesure de la tension correctement calibré afin de vous assurer que l'unité est hors tension.
- Remplacez et fixez tous les capots et éléments du système avant de mettre le produit sous tension.

**Le non-respect de suivre ces instructions entraînera la mort ou des blessures graves.**

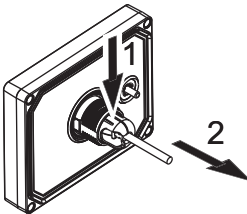
## **Attache USB**

### Attache

Étape	Action
1	Passez le câble USB dans l'attache USB. 
2	Insérez le câble USB dans l'interface USB (Type mini-B) de l'appareil. Insérez l'attache USB dans le trou de montage. 

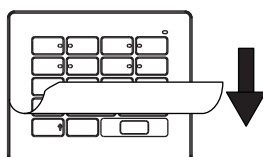


## Retrait

Étape	Action
1	Tenez l'onglet de verrouillage de l'attache et tirez pour la retirer. 

## Étiquette remplaçable pour les touches de fonction

Utilisez l'étiquette remplaçable pour modifier les étiquettes des touches.

Étape	Action
1	Découlez la feuille de protection de l'étiquette remplaçable.
2	Imprimez une nouvelle étiquette sur l'étiquette remplaçable. <b>Remarque :</b> <ul style="list-style-type: none"> <li>L'étiquette remplaçable est au format A6. Pour de plus amples informations sur la méthode d'impression, consultez le manuel du Logiciel d'Édition.</li> <li>Si vous frottez vigoureusement l'étiquette remplaçable, l'impression sur l'étiquette remplaçable peut s'enlever.</li> </ul>
3	Fixer l'étiquette remplaçable.  <b>Remarque :</b> Lors de la remise en place de l'étiquette remplaçable, décollez lentement la partie biseautée en bas à gauche de l'étiquette. Dans le cas contraire, le film de l'appareil peut se décoller.

## Options

### Accessoires de montage mural

Nom du produit	N° de modèle	Description
Accessoire de montage mural	HMIZWMKB1	Cet accessoire vous permet de monter le clavier USB Magelis au mur. Veuillez l'utiliser quand vous tenez le clavier USB Magelis dans vos mains.
Câble USB du panneau avant	XBTZGUSB	Câble d'extension reliant l'interface USB (Type A) au panneau avant.

### Options de maintenance

Nom du produit	N° de modèle	Description
Écrou de montage	ZB5AZ901	Écrou pour montage dans un panneau solide (10 pièces/ensemble)
Clé de serrage	ZB5AZ905	Clé de serrage pour serrer et desserrer l'écrou de montage. (1 pièce/ensemble)
Étiquette remplaçable pour les touches de fonction	HMIZLYKB1	Étiquette remplaçable pour les touches de fonction (ensemble de 5 feuilles)
Kit d'accessoires pour le clavier USB Magelis	HMIZKITKB1	Téton antirotation (5 pièces), attache pour câble USB afin d'empêcher les déconnexions (USB/mini-B, 1 port, 5 pièces)

## Normes applicables

L'unité est fabriquée conformément aux normes suivantes:

- Norme UL 508 et CSA C22.2 n°142 pour les équipements de contrôle industriel
- Norme ANSI/ISA - 12.12.01 et CSA C22.2 n°213 pour les équipements électriques à utiliser dans des endroits dangereux de Classe I et Division 2

### Remarque :

- À utiliser dans un environnement de degré de pollution 2.
- Pour utilisation sur une surface plane d'une enceinte de Type 1 ou de Type 4X (Utilisation intérieure uniquement).
- À utiliser uniquement dans les endroits dangereux de Classe I, Division 2, Groupes A, B, C et D ou les endroits non dangereux.

Pour plus d'informations sur les certifications et les normes, telles que les modèles certifiés et les certificats, veuillez consulter les éléments suivants ou le marquage des produits.

<http://www.schneider-electric.com/>

## DANGER

### RISQUE D'EXPLOSION

- Confirmez toujours que ce produit est adapté à une utilisation dans des emplacements dangereux en vérifiant que la certification ANSI/ISA 12.12.01 ou CSA C22.2 N°213 apparaît sur l'étiquette du produit.
- Ne tentez pas d'installer, d'opérer, de modifier, d'entretenir, de réparer ou autrement modifier ce produit sauf si autorisé dans ce manuel. Les actions non autorisées peuvent compromettre l'aptitude de ce produit à fonctionner en environnement de Classe I, Division 2.
- Pour mettre en marche ou éteindre ce produit installé dans un emplacement dangereux de Classe I, Division 2, vous devez:
  - utiliser un interrupteur situé à l'extérieur de l'environnement dangereux, ou
  - utiliser un interrupteur certifié pour un fonctionnement de la Classe I, Division 1 dans la zone dangereuse.
- Assurez-vous que l'alimentation est coupée ou que la zone ne présente aucun danger avant de connecter ou déconnecter l'équipement. Cela s'applique à toutes les connexions, notamment les connexions d'alimentation, de mise à la terre, série, parallèles et réseau.
- N'utilisez jamais des câbles non blindés / non mis à la terre dans des endroits dangereux.
- Lorsqu'emboîté, assurez-vous que les portes et les ouvertures du boîtier sont fermées en tout temps afin d'éviter l'accumulation des corps étrangers à l'intérieur du poste de travail.
- Verrouiller de façon sûre les appareils à connexion externe et chaque interface avant d'activer l'alimentation.
- Ne pas utiliser, brancher ou débrancher un câble USB sauf si la zone ne présente aucun danger.
- Risque de charge électrostatique potentielle : essuyer le panneau avant du terminal avec un chiffon humide avant de l'allumer.

**Le non-respect de suivre ces instructions entraînera la mort ou des blessures graves.**

## ATTENTION

### DANGERS ENVIRONNEMENTAUX

- Laisser l'appareil atteindre la température ambiante, sans dépasser 55 °C (131 °F), avant de mettre en marche l'appareil.
- Ne pas mettre l'unité sous tension s'il y a de la condensation à l'intérieur de l'unité. Une fois complètement sèche, l'unité peut être mise sous tension.
- Ne pas exposer l'unité à la lumière solaire directe.
- Enlever toute poussière de l'unité avant de la mettre sous tension.
- S'assurer que l'attache pour câble USB n'est pas endommagée. Remplacez-les, au besoin.

**Le non-respect de suivre ces instructions peut entraîner des blessures corporelles ou des dommages matériels.**

L'unité est un périphérique pouvant être utilisé dans les systèmes d'usine. Lors de l'utilisation de l'unité dans un système, celui-ci doit se conformer aux normes suivantes relativement à l'environnement d'installation et la manipulation.

- Norme WEEE, directive 2012/19/UE
- Norme RoHS, directive 2011/65/UE
- RoHS Chine, norme SJ/T 11364

### Marquage CE

Ce produit est conforme aux exigences obligatoires des directives suivantes pour l'application de l'étiquetage CE :

- Directive 2004/108/CE CEM

Cette conformité est basée sur le respect des normes EN61131-2, EN61000-6-4, EN61000-6-2

### Marquage KC

#### 사용자안내문

기종별	사 용 자 안 내 문
A급 기기 (업무용 방송통신기자재)	이 기기는 업무용(A급) 전자파적합기기로서 판매자 또는 사용자는 이 점을 주의하시기 바라며, 가정외의 지역에서 사용하는 것을 목적으로 합니다.

**REMARQUE**

Veillez noter que Schneider Electric ne peut pas être tenu responsable par l'utilisateur des dommages, pertes ou réclamations de tiers résultant de l'utilisation de ce produit.

## **WARNUNG**

### **UNBEABSICHTIGTER GERÄTEBETRIEB**

- Verwenden Sie das Gerät nicht als einzige Einrichtung zur Steuerung kritischer Systemfunktionen, z.B. Motorstart/-stopp oder die Steuerung der Stromversorgung.

**Eine Missachtung dieser Anweisungen kann zu Tod, schweren Verletzungen oder Geräteschäden führen.**

## **WARNUNG**

### **STEUERUNGSAusFALL**

- Bei der Konzeption von Steuerungsstrategien müssen mögliche Störungen auf den Steuerungspfaden berücksichtigt werden, und bei bestimmten kritischen Steuerungsfunktionen ist dafür zu sorgen, dass während und nach einem Pfadfehler ein sicherer Zustand erreicht wird.
- Bei der Konfiguration des Maschinensteuerungssystems muss die Möglichkeit eines Ausfalls der Hintergrundbeleuchtung berücksichtigt werden, wodurch der Bediener die Maschine nicht mehr steuern kann oder Fehler bei der Steuerung der Maschine begeht.

**Eine Missachtung dieser Anweisungen kann zu Tod, schweren Verletzungen oder Geräteschäden führen.**

## **WARNUNG**

### **GEFAHR EINES ELEKTRISCHEN SCHLAGS ODER EXPLOSION**

- Das Gerät darf in keiner Weise demontiert oder geändert werden.
- Das Gerät nicht in Umgebungen verwenden, in denen entzündbare Gase vorhanden sind.
- Achten Sie darauf, dass kein Wasser in den Stecker gelangt.
- Berühren Sie den Stecker nicht mit nassen Händen.

**Eine Missachtung dieser Anweisungen kann zu Tod, schweren Verletzungen oder Geräteschäden führen.**

 **WARNUNG****UNBEABSICHTIGTER BETRIEBSZUSTAND DES GERÄTS ODER KONTROLLVERLUST**

- Das Gerät nicht bei Temperaturen verwenden, die außerhalb des in dieser Anleitung vorgegebenen Bereichs liegen.
- Das Gerät nicht bei sehr hohen Temperaturen verwenden oder lagern.
- Das Gerät nicht bei direkter Sonnenbestrahlung oder in übermäßig staubigen oder schmutzigen Umgebungen verwenden oder lagern.
- Das Gerät nicht in einer Umgebung verwenden oder lagern, in denen es chemischen Dämpfen oder Rauch ausgesetzt sein könnte.

**Eine Missachtung dieser Anweisungen kann zu Tod, schweren Verletzungen oder Geräteschäden führen.**

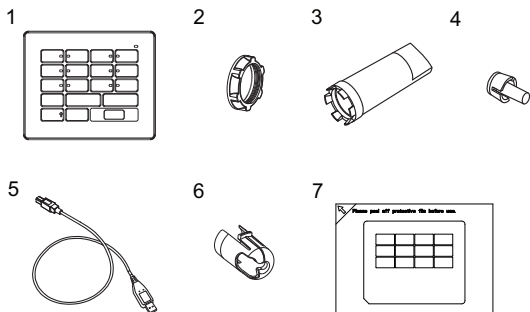
 **VORSICHT****GERÄTESCHADEN**

- Bedienen Sie das Gerät nicht mit scharfkantigen Gegenständen oder Werkzeugen.

**Eine Missachtung dieser Anweisungen kann zu Verletzungen führen oder Schäden am Gerät verursachen.**

## Lieferumfang

Die folgenden Teile sind im Lieferumfang der Magelis USB-Tastatur (HMIZKB1) enthalten. Überprüfen Sie vor Verwendung des Geräts, ob alle hier aufgeführten Komponenten vorhanden sind.



- 1 Magelis USB-Tastatur (1)
- 2 Montagemutter (1)
- 3 Spannschlüssel (1)
- 4 Verdrehsicherung (1)
- 5 USB-Kabel (Typ A/Mini-B, 1,8 m (5,91 ft.)) (1)
- 6 USB-Klemme (Typ Mini-B) (1)
- 7 Austauschbarer Aufkleber für Funktionstasten (1)
- 8 Montageanleitung <dieses Dokument>

Diese Komponente wurde sorgfältig verpackt und die Verpackung einer Qualitätskontrolle unterzogen.

Sollten dennoch Teile beschädigt sein oder fehlen, wenden Sie sich bitte unverzüglich an Ihren Fachhändler.

## Über dieses Handbuch

In diesem Handbuch werden die Verkabelung und die Montage beschrieben. Weitere Informationen finden Sie nachstehend in der Anleitung zur Bearbeitungssoftware.

Handbuch	Inhalt
Referenzhandbuch	Verwendung der Magelis USB-Tastatur.

Sie können die Anleitungen über das Hilfe-Menü von Vijeo Designer (Ver. 6.2 oder aktueller) auswählen oder von der Schneider Electric-Website herunterladen.

URL
<a href="http://www.schneider-electric.com/">http://www.schneider-electric.com/</a>



## Allgemeine Daten

### Allgemeine Daten

Steckertyp	USB I/F	Typ Mini-B (Anschluss), USB 2.0 Full Speed
------------	---------	--

### Elektrische Daten

Stromversorgung	Nominale Eingangsspannung	5 Vdc (über USB-Bus)
	Grenzwerte für die Eingangsspannung	4,75...5,25 Vdc
	Stromaufnahme	0,75 W oder weniger

### Umgebungsbedingungen

Physische Umgebung	Umgebungs-Betriebstemperatur	0...55 °C (32...131 °F)
	Lagertemperatur	-20...60 °C (-4...140 °F)
	Umgebungstemperatur und Lagerfeuchtigkeit	10...90 % relative Luftfeuchte (nicht kondensierend, Feuchtkugelmperatur 39 °C [102,2 °F] oder niedriger)
	Luftreinheit (Staub)	0,1 mg/m <sup>3</sup> (10 <sup>-7</sup> oz/ft <sup>3</sup> ) oder weniger (nicht leitfähige Schichten)
	Verschmutzungsgrad	Für die Verwendung in einer Umgebung gemäß Verschmutzungsgrad 2 geeignet.
	Korrosive Gase	Frei von korrosiven Gasen
	Betriebshöhe	2.000 m [6.561 ft] oder tiefer
Mechanische Kenndaten	Vibrationsfestigkeit	Entspricht IEC/EN 61131-2 5...9 Hz bei einer Einzelamplitude von 3,5 mm (0,14 in.) 9...150 Hz feste Beschleunigung: 9,8 m/s <sup>2</sup> X, Y, Z Richtungen für 10 Zyklen (100 min.)
	Stoßfestigkeit	Entspricht IEC/EN 61131-2 (147 m/s <sup>2</sup> , X, Y, Z Richtungen für 3 Mal)
Elektrische Betriebsumgebung	Störfestigkeit gegen schnelle transiente/elektrische Störgrößen	IEC61000-4-4 2 kV Stromanschluss (Anzeigegerät) 1 kV Signalanschlüsse
	Empfindlichkeit gegenüber elektrostatischen Entladungen	IEC61000-4-2 6 kV Kontaktentladung 8 kV Luftentladung

## Externe Daten

Äußere Abmessungen	97,6 x 80,0 x 31,5 mm (3,84 x 3,15 x 1,24 in.) (B x H x T)
Struktur*1	IP65 UL50E TYP 4X (Verwendung nur in Innenräumen) (an der Vorderseite bei sachgemäßer Installation in einem Gehäuse)
Gewicht	150 g (0,33 lb) oder weniger

- \*1. Die Frontseite des in einer soliden Schalttafel installierten Geräts wurde unter Bedingungen getestet, die den in den Kenndaten aufgeführten Standards entsprechen. Auch wenn die Widerstandsgrenze des Gerätes UL50E TYP 4X entspricht, können Öle, die das Gerät nicht beeinträchtigen sollten, möglicherweise die Blende beschädigen. Überprüfen Sie daher vor der Installation die Bedingungen in der Betriebsumgebung des Produktes. Wenn die Montagedichtung für längere Zeit verwendet wird, oder wenn das Gerät und seine Dichtung von der Tafel entfernt werden, ist der ursprüngliche Schutz nicht gewährleistet.

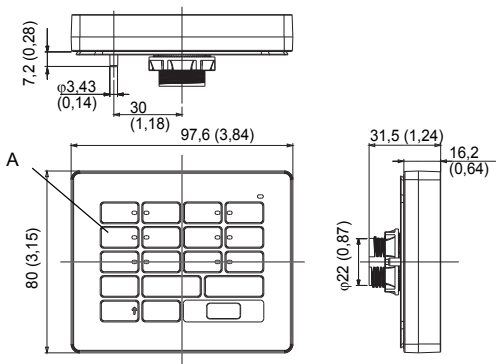
 **GEFAHR****EXPLOSIONSGEFAHR**

- Stellen Sie sicher, dass die Verdrahtung von Stromversorgung, Eingängen und Ausgängen (E/A) den Verdrahtungsverfahren nach Klasse I, Division 2 entspricht.
- Der Austausch einer Komponente kann die Eignung für Klasse I, Division 2 gefährden.
- Nehmen Sie die Ausrüstung bei stromführendem Stromkreis nicht vom Netz, es sei denn, der Bereich ist bekanntlich frei von entzündbaren Gaskonzentrationen.
- Trennen Sie die Stromversorgung, bevor Sie Steckverbinder an das Gerät anschließen oder von diesem Produkt lösen.
- Stellen Sie sicher, dass angeschlossene Netz-, Kommunikations- und Zubehörkabel keine übermäßige Zugbelastung auf die Anschlüsse ausüben. Berücksichtigen Sie dabei mögliche Vibrationen in der Umgebung.
- Schließen Sie die Netz-, Kommunikations- und Zubehörkabel sicher an der Blende bzw. am Schaltschrank an.
- Geeignet für den Einsatz in Gefahrenbereichen der Klasse I, Division 2, Gruppen A, B, C und D.
- Überprüfen Sie vor Verwendung der USB-Schnittstelle, ob das USB-Kabel mit der USB-Kabelklemme befestigt wurde.

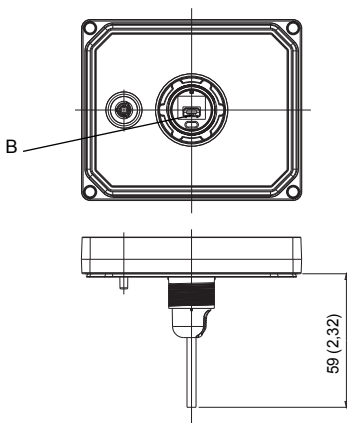
**Eine Missachtung dieser Anweisungen kann zum Tod führen oder schwere Verletzungen verursachen.**

# Abmessungen

## Äußere Abmessungen [mm (in.)]



## Äußere Abmessungen mit Kabel [mm (in.)]



- A. Zifferntaste / Funktionstaste
- B. USB-Schnittstelle (Typ Mini-B)

# Montage

Schritt	Aktion								
1	<p>Erstellen Sie einen Schalttafel-ausschnitt, und setzen Sie das Gerät von der Frontseite in das Schaltpult ein. Die folgende Abbildung zeigt den Schalttafel-ausschnitt für das Gerät:</p> <table border="1" data-bbox="225 594 919 754"> <thead> <tr> <th>A</th> <th>B</th> <th>C</th> <th>D</th> </tr> </thead> <tbody> <tr> <td>22,50<sup>+0</sup><sub>-0,30</sub> mm (0,88<sup>+0</sup><sub>-0,01</sub> in.)</td> <td>4<sup>+0</sup><sub>-0,20</sub> mm (0,15<sup>+0</sup><sub>-0,007</sub> in.)</td> <td>30<sup>+0</sup><sub>-0,20</sub> mm (1,18<sup>+0</sup><sub>-0,007</sub> in.)</td> <td>1,5..0,6 mm (0,06 – 0,23 in.)</td> </tr> </tbody> </table>	A	B	C	D	22,50 <sup>+0</sup> <sub>-0,30</sub> mm (0,88 <sup>+0</sup> <sub>-0,01</sub> in.)	4 <sup>+0</sup> <sub>-0,20</sub> mm (0,15 <sup>+0</sup> <sub>-0,007</sub> in.)	30 <sup>+0</sup> <sub>-0,20</sub> mm (1,18 <sup>+0</sup> <sub>-0,007</sub> in.)	1,5..0,6 mm (0,06 – 0,23 in.)
A	B	C	D						
22,50 <sup>+0</sup> <sub>-0,30</sub> mm (0,88 <sup>+0</sup> <sub>-0,01</sub> in.)	4 <sup>+0</sup> <sub>-0,20</sub> mm (0,15 <sup>+0</sup> <sub>-0,007</sub> in.)	30 <sup>+0</sup> <sub>-0,20</sub> mm (1,18 <sup>+0</sup> <sub>-0,007</sub> in.)	1,5..0,6 mm (0,06 – 0,23 in.)						
2	<p>Setzen Sie das Gerät in den Montageausschnitt ein. Ziehen Sie die Mutter mit einem Drehmoment von 1,2 – 2 N•m fest (10,62...17,70 lb-in).</p> <ol style="list-style-type: none"> <li>1) Verdrehsicherung</li> <li>2) Schalttafel</li> <li>3) Montagemutter</li> <li>4) Spanschlüssel</li> </ol> <p><b>Hinweis:</b></p> <ul style="list-style-type: none"> <li>• Entfernen Sie das USB-Kabel, bevor Sie das Gerät entfernen.</li> <li>• Bei Verwendung einer Verdrehsicherung setzen Sie diese sicher in das Gerät ein.</li> </ul>								

## **GEFAHR**

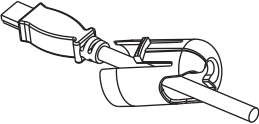
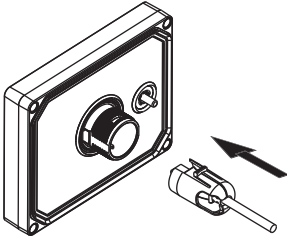
### **GEFAHR EINES ELEKTRISCHEN SCHLAGS, EINER EXPLOSION ODER EINES LICHTBOGENS**

- Unterbrechen Sie die gesamte Spannungsversorgung zum Gerät, bevor Sie Abdeckungen oder Komponenten des Systems entnehmen und Zubehör, Hardware oder Kabel installieren bzw. entfernen.
- Trennen Sie das Stromkabel vom Modul und der Stromversorgung.
- Verwenden Sie für die Prüfung vorhandener Spannung stets einen Spannungsfühler mit zutreffender Bemessungsspannung.
- Montieren und befestigen Sie alle Abdeckungen oder Komponenten des Systems, bevor Sie dieses Produkt an das Netz anschließen und einschalten.

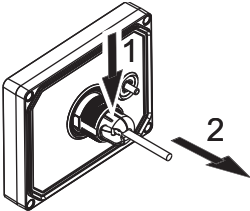
**Eine Missachtung dieser Anweisungen kann zum Tod führen oder schwere Verletzungen verursachen.**

## **USB-Klemme**

### **Befestigung**

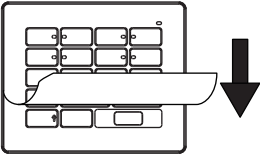
<b>Schritt</b>	<b>Aktion</b>
1	Führen Sie das USB-Kabel durch die USB-Klemme. 
2	Verbinden Sie das USB-Kabel mit der USB-Schnittstelle (Typ Mini-B) am Gerät. Stecken Sie die USB-Klemme in das Montageloch. 

## Entfernen

Schritt	Aktion
1	Halten Sie die Verriegelung der Klemme fest und ziehen Sie, um sie zu entfernen. 

## Austauschbarer Aufkleber für Funktionstasten

Ändern Sie die Tastenbeschriftungen mit dem austauschbaren Aufkleber.

Schritt	Aktion
1	Ziehen Sie die Schutzfolie vom austauschbaren Aufkleber ab.
2	Bedrucken Sie den austauschbaren Aufkleber mit einer neuen Beschriftung. <b>Hinweis:</b> <ul style="list-style-type: none"> <li>• Der austauschbare Aufkleber ist im A6-Format. Weitere Informationen zum Druckverfahren finden Sie in der Anleitung zur Bearbeitungssoftware.</li> <li>• Wenn Sie den austauschbaren Aufkleber fest reiben, kann sich der Aufdruck auf dem austauschbaren Aufkleber lösen.</li> </ul>
3	Bringen Sie den austauschbaren Aufkleber an.  <b>Hinweis:</b> Ziehen Sie zum Anbringen des austauschbaren Aufklebers den abgekanteten Teil des Aufklebers unten links vorsichtig ab. Andernfalls könnte die Folie des Gerätes abgezogen werden.

---

---

## Optionen

---

### Optionen für die Wandbefestigung

Produktname	Modell-Nr.	Beschreibung
Wandbefestigung	HMIZWMKB1	Mit dieser Befestigung können Sie die Magelis USB-Tastatur an der Wand anbringen. Bitte verwenden, wenn Sie die Magelis USB-Tastatur in Ihren Händen halten.
USB-Frontseitenkabel	XBTZGUSB	Verlängerungskabel zur Verbindung der USB-Schnittstelle (Typ A) mit der Vorderseite.

### Wartungszubehör

Produktname	Modell-Nr.	Beschreibung
Montagemutter	ZB5AZ901	Mutter zur Montage in eine feste Schalttafel (10 Stck./Set)
Spannschlüssel	ZB5AZ905	Spannschlüssel zum Festziehen und Lösen der Montagemutter. (1 Stck./Set)
Austauschbarer Aufkleber für Funktionstasten	HMIZLYKB1	Austauschbarer Aufkleber für Funktionstasten (5 Blatt/Set)
Zubehörset für Magelis USB-Tastatur	HMIZKITKB1	Verdrehsicherung (5 Stck.), USB-Kabelklemme als Anschlusssicherung (USB/Mini-B, 1 Anschluss, 5 Stck.)



## Relevante Normen

Die Herstellung des Geräts erfolgt gemäß:

- Normen UL 508 und CSA C22.2 Nr.142 für industrielle Kontrollvorrichtung
- Normen ANSI/ISA - 12.12.01 und CSA 22.2 Nr.213 für elektrische Betriebsmittel für den Einsatz in Gefahrenbereichen der Klasse I, Division 2

**Hinweis:**

- Für die Verwendung in einer Umgebung gemäß Verschmutzungsgrad 2 geeignet.
- Zur Verwendung auf flacher Oberfläche eines Gehäuses vom Typ 1 oder Typ 4X (nur Verwendung in Innenräumen).
- Nur zur Verwendung in Gefahrenbereichen der Klasse I, Division 2, Gruppen A, B, C und D oder Nicht-Gefahrenbereichen.

Informationen zu Zertifizierungen und Normen sowie zu zertifizierten Modellen und Zertifikaten erhalten Sie nachstehend oder über Produktkennzeichnungen.

<http://www.schneider-electric.com/>



**GEFAHR**

### EXPLOSIONSGEFAHR

- Vergewissern Sie sich stets, dass dieses Produkt für den Gebrauch in Gefahrenbereichen geeignet ist, indem Sie überprüfen, ob die Zertifizierungen ANSI/ISA 12.12.01 oder CSA C22.2 Nr.213 auf der Produktbeschilderung angegeben sind.
- Versuchen Sie nicht, dieses Produkt entgegen den Beschreibungen und Anweisungen in dieser Anleitung zu installieren, zu betreiben, zu bearbeiten, zu warten oder anderweitige Arbeiten daran vorzunehmen. Unerlaubte Handlungen können die Tauglichkeit dieses Produkts für den Betrieb gemäß Klasse I, Division 2 beeinträchtigen.
- Um dieses Gerät, das in einem Gefahrenbereich der Klasse I, Division 2 installiert ist, ein- oder auszuschalten, müssen Sie eine der beiden folgenden Regeln beachten:
  - Verwenden Sie einen Schalter, der sich außerhalb des Gefahrenbereichs befindet, oder
  - verwenden Sie einen Schalter für Klasse 1 Division 1 innerhalb des Gefahrenbereichs.
- Schließen Sie Geräte nur an oder trennen Sie Anschlüsse von Geräten nur dann, wenn Sie zuvor die Stromversorgung abgeschaltet haben, oder wenn bekannt ist, dass im betreffenden Bereich keine Gefahr besteht. Dies gilt für alle Verbindungen einschließlich Spannung, Erdung, serielle und parallele Anschlüsse und Netzwerkverbindungen.
- Verwenden Sie niemals nicht-abgeschirmte / nicht-geerdete Kabel in Gefahrenbereichen.
- Im Falle von umschlossenen Bereichen sind alle Türen und Öffnungen stets geschlossen zu halten, um eine Ansammlung von Fremdstoffen am Arbeitsplatz zu vermeiden.
- Befestigen Sie alle extern angeschlossenen Komponenten und Schnittstellen vor dem Einschalten der Stromversorgung.
- Sie dürfen ein USB-Kabel nur dann verwenden, anschließen oder trennen, wenn der betreffende Bereich bekanntlich gefahrlos ist.
- Potentielle Gefahr elektrostatischer Entladung: Wischen Sie die Frontplatte des Terminals vor dem Einschalten mit einem feuchten Tuch ab.

**Eine Missachtung dieser Anweisungen kann zum Tod führen oder schwere Verletzungen verursachen.**

## VORSICHT

### UMWELTGEFAHREN FÜR DAS GERÄT

- Achten Sie vor dem Einschalten des Gerätes darauf, dass es sich auf die Lufttemperatur der Umgebung erwärmt hat und 55 °C (131 °F) nicht überschritten wird.
- Schalten Sie das Gerät nicht ein, wenn es im Inneren zu Kondensation kam. Nach völligem Trocknen darf das Gerät eingeschaltet werden.
- Setzen Sie das Gerät keinem direkten Sonnenlicht aus.
- Entstauben Sie das Gerät vor dem Einschalten.
- Stellen Sie sicher, dass die USB-Kabelmontagebefestigungen nicht beschädigt sind. Ersetzen Sie sie gegebenenfalls.

**Eine Missachtung dieser Anweisungen kann zu Verletzungen führen oder Schäden am Gerät verursachen.**

Das Gerät dient zur Verwendung in Fabrikssystemen.

Bei Verwendung des Geräts in einem System sollte das System bzgl. Montageumgebung und Handhabung folgenden Standards und Normen entsprechen.

- WEEE-Norm, Richtlinie 2012/19/EU
- RoHS-Norm, Richtlinie 2011/65/EU
- Standard RoHS China, Standard SJ/T 11364

### CE-Kennzeichnungen

Dieses Produkt erfüllt die erforderlichen Anforderungen der folgenden Direktiven für die Anbringung der CE-Kennzeichnung:

- 2004/108/EC EMV-Richtlinie

Diese Übereinstimmung basiert auf Einhaltung von EN61131-2, EN61000-6-4, EN61000-6-2

### KC-Kennzeichnungen

#### 사용자안내문

기종별	사용자안내문
A급 기기 (업무용 방송통신기자재)	이 기기는 업무용(A급) 전자파적합기기로서 판매자 또는 사용자는 이 점을 주의하시기 바라며, 가정외의 지역에서 사용하는 것을 목적으로 합니다.

**Hinweis:**

Beachten Sie bitte, dass Schneider Electric keine Haftung für etwaige Schäden, Verluste oder Ansprüche Dritter übernimmt, die bei Verwendung dieses Produkts entstehen könnten.

## ADVERTENCIA

### FUNCIONAMIENTO INESPERADO DEL EQUIPO

- No utilice la unidad como el único medio de control de funciones críticas del sistema tales como el inicio/parada de un motor o control de alimentación.

**Si no sigue estas instrucciones, puede ocasionar graves lesiones, incluso la muerte, o daños en el equipo.**

## ADVERTENCIA

### PÉRDIDA DE CONTROL

- El diseñador del esquema de control debe tener en cuenta los posibles modos de fallo de rutas de control y, para ciertas funciones de control críticas, proporcionar los medios para lograr un estado seguro durante y después de un fallo de ruta.
- El diseño del sistema de control de la máquina debe tomar en cuenta la posibilidad de que falle la retroiluminación por lo que el operario no podría controlar la máquina o cometería errores al hacerlo.

**Si no sigue estas instrucciones, puede ocasionar graves lesiones, incluso la muerte, o daños en el equipo.**

## ADVERTENCIA

### PELIGRO DE DESCARGA ELÉCTRICA O EXPLOSIÓN

- No desmonte ni remodele en modo alguno la unidad.
- No utilice la unidad en áreas donde haya gases inflamables.
- No permita el ingreso de agua en el conector.
- No toque los conectores con las manos mojadas.

**Si no sigue estas instrucciones, puede ocasionar graves lesiones, incluso la muerte, o daños en el equipo.**

## ADVERTENCIA

### **FUNCIONAMIENTO INESPERADO DEL EQUIPO O PÉRDIDA DE CONTROL**

- No utilice la unidad en temperaturas fuera del intervalo especificado en este manual.
- No utilice ni almacene la unidad a temperaturas muy altas.
- No utilice ni almacene la unidad en la luz directa del sol o en ambientes con una excesiva presencia de polvo o suciedad.
- No utilice ni almacene la unidad en un ambiente donde pueda estar expuesta a vapores químicos o gases.

**Si no sigue estas instrucciones, puede ocasionar graves lesiones, incluso la muerte, o daños en el equipo.**

## AVISO

### **EQUIPO DAÑADO**

- No utilice objetos ni herramientas punzantes para utilizar la unidad.

**Si no sigue estas instrucciones, puede ocasionar lesiones o daños en el equipo.**

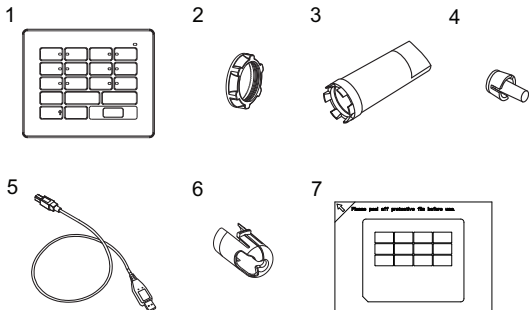
---

---

## Contenido del paquete

---

Los siguientes artículos están incluidos en el paquete del teclado USB Magelis (HMIZKB1). Antes de utilizar la unidad, compruebe que todos los artículos están en el paquete.



- 1 Teclado USB Magelis (1)
- 2 Tuerca de instalación (1)
- 3 Llave de ajuste (1)
- 4 Unión T antirotacional (1)
- 5 Cable USB [tipo A/mini-B, 1,8 m (5,91 ft.)] (1)
- 6 Abrazadera del cable USB (tipo mini-B) (1)
- 7 Etiqueta sustituable para teclas de función (1)
- 8 Guía de instalación <este documento>

Esta unidad se ha empaquetado cuidadosamente poniendo especial atención en la calidad.

No obstante, si descubriese que falta algún elemento o que hay alguno dañado, póngase en contacto inmediatamente con su distribuidor local.

---

## Acerca de este manual

---

Este manual describe los procedimientos de instalación y cableado. Para obtener información detallada, consulte el siguiente manual del Software de Edición.

Manual	Contenido
Manual de referencia	Uso del teclado USB Magelis.

Puede seleccionar los manuales del menú de ayuda de Vijeo Designer (Ver. 6.2 o posterior) o descargar los manuales de la página principal de Schneider Electric.

URL
<a href="http://www.schneider-electric.com/">http://www.schneider-electric.com/</a>

## Especificaciones generales

### Especificaciones generales

Tipo de conector	I/F de USB	Tipo mini-B (socket), USB 2.0 de máxima velocidad
------------------	------------	---

### Especificaciones eléctricas

Fuente de alimentación	Tensión de entrada nominal	5 Vdc (Alimentación desde el bus USB)
	Límites de la tensión de entrada	4,75...5,25 Vdc
	Consumo de energía	0,75 W o menos

### Especificaciones ambientales

Entorno físico	Temperatura ambiente de funcionamiento del aire	0...55 °C (32...131 °F)
	Temperatura de almacenamiento	-20...60 °C (-4...140 °F)
	Humedad ambiente del aire y del almacenamiento	10...90% HR [sin condensación, temperatura de bulbo húmedo 39°C (102,2 °F) o menos]
	Polvo	0,1 mg/m <sup>3</sup> (10 <sup>-7</sup> oz/ft <sup>3</sup> ) o menos (niveles no conductores)
	Grado de contaminación	Uso en un entorno con un grado de contaminación 2
	Gases corrosivos	Libre de gases corrosivos
	Altitud de funcionamiento	2.000 m (6.561 ft) o menos
Entorno mecánico	Resistencia a vibraciones	Conformidad IEC/EN 61131-2 5...9 Hz amplitud simple 3,5 mm (0,14 in.) 9...150 Hz Aceleración fija: 9,8 m/s <sup>2</sup> Direcciones X, Y, Z para 10 ciclos (100 minutos)
	Resistencia a golpes	Conformidad IEC/EN 61131-2 (147 m/s <sup>2</sup> direcciones X, Y, Z para 3 repeticiones)
Entorno eléctrico	Incremento repentino y transitorio de la electricidad	IEC61000-4-4 Puerto de alimentación de 2 kV (unidad de visualización) Puertos de señal de 1kV
	Inmunidad a descarga electroestática	IEC61000-4-2 Descarga de contacto de 6 kV Descarga de aire de 8 kV

## Características externas

Dimensiones exteriores	Ancho 97,6 mm x Alto 80,0 mm x Profundidad 31,5 mm (Ancho 3,84 in. x Alto 3,15 in. x Profundidad 1,24 in.)
Estructura *1	IP65 UL50E TYPE 4X (solo para uso en interiores) (en el panel frontal cuando se instala correctamente en una carcasa)
Peso	150 g (0,33 lb) o menos

- \*1. La parte frontal de la unidad, instalada en un panel macizo, se ha probado bajo condiciones equivalentes a las que se citan aquí. Aunque el nivel de resistencia de las unidades es equivalente al de UL50E TYPE 4X, algunos aceites que no deberían afectar a la unidad pueden dañar el panel. Por ello, antes de instalar la unidad, asegúrese de verificar el tipo de condiciones existentes en el entorno de funcionamiento de las unidades. Si la junta de instalación se usa durante mucho tiempo, o bien si extrae la unidad y la junta del panel, no se puede conservar el nivel de protección original.



## PELIGRO

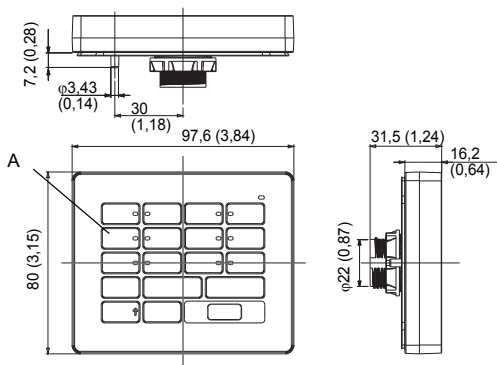
### RIESGO DE EXPLOSIÓN

- Compruebe que la alimentación, el cableado de entrada y salida (E/S) están de acuerdo con los métodos de cableado para la Clase I, División 2.
- Si sustituye cualquiera de los componentes, puede anular la conformidad con la Clase I, División 2.
- No desconecte el equipo mientras el circuito está activo o a menos que se sepa que el área está libre de concentraciones de gases inflamables.
- Corte la corriente antes de conectar o desconectar un conector de este producto.
- Asegúrese de que las conexiones de alimentación, comunicación y los accesorios no sobrecarguen los puertos. Tenga en cuenta la vibración en el entorno cuando tome esta determinación.
- Conecte firmemente los cables de alimentación, comunicación y accesorios externos al panel o al armario.
- Adecuado para uso en Lugares Peligrosos de Clase 1, División 2, grupos A, B, C y D.
- Confirme que el cable USB ha sido sujetado con la abrazadera del cable USB antes de usar la interfaz USB.

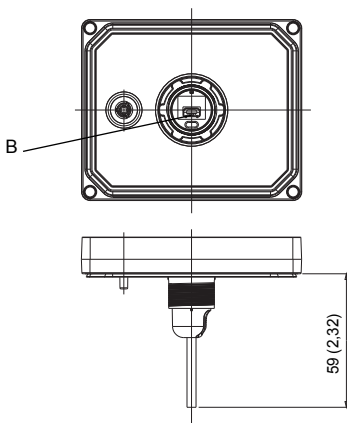
**Si no observa estas instrucciones, provocará serios daños personales o incluso la muerte.**

## Dimensiones

Dimensiones exteriores [mm (in.)]



Dimensiones con el cable [mm (in.)]



A. Tecla de número/Tecla de función

B. Interfaz USB (tipo mini-B)

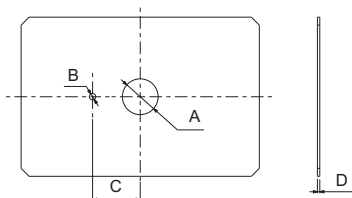
## Instalación

Paso

Acción

1

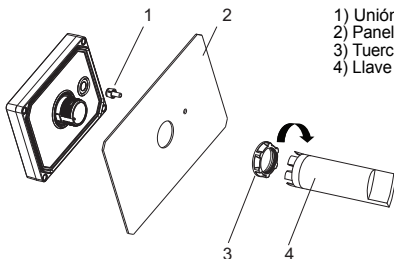
Cree un hueco e inserte la unidad en el panel desde la parte frontal. La siguiente ilustración muestra el hueco del panel de una unidad:



A	B	C	D
22,50 <sup>+0</sup> <sub>-0,30</sub> mm (0,88 <sup>+0</sup> <sub>-0,01</sub> in.)	4 <sup>+0</sup> <sub>-0,20</sub> mm (0,15 <sup>+0</sup> <sub>-0,007</sub> in.)	30 <sup>+0</sup> <sub>-0,20</sub> mm (1,18 <sup>+0</sup> <sub>-0,007</sub> in.)	1,5...6 mm (0,06...0,23 in.)

2

Inserte la unidad en el hueco del panel.  
Atornille la tuerca aplicando un par de apriete de 1,2...2 N•m  
(10,62...17,70 lb-in)



- 1) Unión T antirotacional
- 2) Panel
- 3) Tuerca de instalación
- 4) Llave de apriete

**Nota:**

- Desconecte el cable USB antes de retirar la unidad.
- Si usa una unión T antirotacional insértela en la unidad firmemente.

## **⚠ PELIGRO**

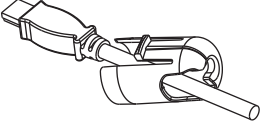
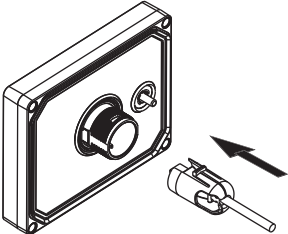
### **PELIGRO DE DESCARGA ELÉCTRICA, EXPLOSIÓN O DESTELLO DE ARCO VOLTAICO**

- Desconecte la alimentación del dispositivo antes de retirar cubiertas o elementos del sistema, y antes de instalar o quitar cualquier accesorio, hardware o cable.
- Desconecte el cable de alimentación del módulo y de la fuente de alimentación eléctrica.
- Siempre debe usar un dispositivo apropiado para detectar la tensión nominal a fin de confirmar que la alimentación está apagada.
- Reemplace y sujete todas las cubiertas o los elementos del sistema antes de suministrar alimentación a la unidad.

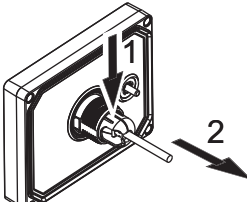
**Si no observa estas instrucciones, provocará serios daños personales o incluso la muerte.**

## **Abrazadera USB**

### Acoplamiento

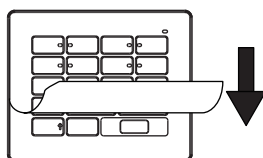
Paso	Acción
1	<p>Pase el cable USB por la abrazadera USB.</p> 
2	<p>Inserte el cable USB en la interfaz del USB (tipo mini-B) en la unidad. Inserte la abrazadera USB en el orificio de montaje.</p> 

## Extracción

Paso	Acción
1	<p>Sujete la lengüeta de seguridad de la abrazadera y tire para retirarla.</p> 

## Etiqueta sustituible para teclas de función

Utilice la etiqueta sustituible para cambiar las etiquetas en la tecla.

Paso	Acción
1	<p>Despegue la lámina protectora de la etiqueta sustituible.</p>
2	<p>Imprima una nueva etiqueta sobre la etiqueta sustituible.</p> <p><b>Nota:</b></p> <ul style="list-style-type: none"><li>• La etiqueta sustituible es de tamaño A6. Para obtener información detallada sobre el método de impresión, consulte el manual del Software de Edición.</li><li>• Si frota la etiqueta sustituible con fuerza, la impresión de la etiqueta sustituible podría borrarse.</li></ul>
3	<p>Pegue la etiqueta sustituible.</p>  <p><b>Nota:</b> Para reemplazar la etiqueta sustituible, despegue lentamente la parte achaflanada de la parte inferior izquierda de la etiqueta. Si no, la película de la unidad podría despegarse.</p>

---

---

## Opciones

---

### Opciones de fijación del montaje en pared

Nombre del producto	N.º de modelo	Descripción
Fijación del montaje en pared	HMIZWMKB1	Esta fijación le permite instalar el teclado USB Magelis en la pared. Utilícela cuando sujete el teclado USB Magelis con las manos.
Cable delantero USB	XBTZGUSB	Cable de extensión que conecta la interfaz USB (Tipo A) al panel frontal.

### Opciones de mantenimiento

Nombre del producto	N.º de modelo	Descripción
Tuerca de instalación	ZB5AZ901	Tuerca para instalación en un panel macizo (10 piezas por juego)
Llave de ajuste	ZB5AZ905	Llave de ajuste para apretar y aflojar la tuerca de instalación. (1 pieza por juego)
Etiqueta sustituible para teclas de función	HMIZLYKB1	Etiqueta sustituible para teclas de función (5 láminas/conjunto)
Kit de accesorios para el teclado USB Magelis	HMIZKITKB1	Unión T antirotacional (5 piezas); abrazadera del cable USB para que no se desconecte (USB/mini-B, 1 puerto, 5 piezas)

---

---

## Normas pertinentes

---

Esta unidad se fabrica de acuerdo con:

- Norma UL 508 y CSA C22.2 n° 142 para Equipos de control industrial
- Norma ANSI/ISA - 12.12.01 y CSA C22.2 n° 213 para Equipos eléctricos para uso en Zonas Peligrosas de Clase I, División 2

**Nota:**

- Destinada a un uso en entornos que presentan un Nivel de Contaminación 2.
- Destinada para uso en una superficie plana de una carcasa Tipo 1 o Tipo 4X (solo para uso en interiores).
- Adecuado únicamente para uso en Zonas Peligrosas de Clase I, División 2, Grupos A, B, C y D y Zonas no peligrosas.

Para obtener información sobre las certificaciones y normas (p. ej., certificados y modelos con las certificaciones adecuadas), consulte las marcas de los productos y lo siguiente.  
<http://www.schneider-electric.com/>

## PELIGRO

### RIESGO DE EXPLOSIÓN

- Compruebe que la certificación ANSI/ISA 12.12.01 o CSA C22.2 N° 213 aparece en las etiquetas del producto con el fin de confirmar que este producto se puede usar en zonas peligrosas.
- No intente instalar, manejar, modificar, realizar servicios de mantenimiento ni alterar de cualquier otra forma este producto excepto en los casos permitidos en este manual. Las acciones no permitidas pueden anular la conformidad de uso de Clase 1, División 2 de este producto.
- Para encender o apagar este producto cuando está instalado en una zona peligrosa de clase 1, división 2, debe hacer lo siguiente:
  - Utilizar un conmutador situado fuera del entorno peligroso, o bien
  - Utilizar un conmutador certificado para el funcionamiento de Clase I, División 1 dentro de la zona peligrosa.
- No desconecte el equipo a menos que haya apagado la alimentación eléctrica o esté seguro de que la zona no es peligrosa. Esto se aplica a todas las conexiones, incluidas las de alimentación, tierra, serie, paralelo y red.
- Jamás debe usar cables no blindados o sin conexión a tierra en lugares peligrosos.
- Cuando se incluyen, mantenga las puertas y aberturas de la caja cerradas en todo momento para evitar la acumulación de sustancias extrañas dentro de la estación de trabajo.
- Sujete bien las unidades de conexión externa y todas las interfaces antes de encender la fuente de alimentación.
- No utilice, ni conecte, ni desconecte el cable USB a menos que esté seguro de que el área no sea peligrosa.
- Riesgo de posible carga electrostática: pase un paño húmedo por el panel frontal del terminal antes de encenderlo.

**Si no observa estas instrucciones, provocará serios daños personales o incluso la muerte.**

## AVISO

### PELIGROS AMBIENTALES QUE AFECTAN AL EQUIPO

- Deje que la unidad alcance la temperatura ambiente del aire, sin superar 55 °C (131 °F), antes de encenderla.
- No apague la unidad si se produce condensación dentro de la misma. Una vez que esté completamente seca, la puede encender.
- No exponga la unidad a la luz directa del sol.
- Limpie el polvo de la unidad antes de encenderla.
- Asegúrese que la abrazadera del cable USB no esté dañada. Sustitúyala si fuese necesario.

**Si no sigue estas instrucciones, puede ocasionar lesiones o daños en el equipo.**

La unidad es un dispositivo que se usa en sistemas de fábricas.

Cuando usa la unidad en un sistema, dicho sistema debe cumplir las siguientes normas con respecto al entorno de la instalación y el manejo:

- Normativa WEEE, Directiva 2012/19/UE
- Normativa RoHS, Directiva 2011/65/UE
- Normativa RoHS China, Norma SJ/T 11364

### Marcas CE

Este producto cumple los requisitos necesarios de las siguientes directivas para aplicar la etiqueta CE:

- Directiva 2004/108/EC EMC

Esta conformidad está basada en el cumplimiento de las normas EN61131-2, EN61000-6-4, EN61000-6-2

### Marcas KC

#### 사용자안내문

기종별	사용자안내문
A급 기기 (업무용 방송통신기자재)	이 기기는 업무용(A급) 전자파적합기기로서 판매자 또는 사용자는 이 점을 주의하시기 바라며, 가정외의 지역에서 사용하는 것을 목적으로 합니다.



**NOTA**

Tenga presente que Schneider Electric no se hará responsable ante los usuarios de ninguno de los daños, pérdidas o reclamaciones de terceros que se deriven del uso de este producto.

## **ATTENZIONE**

### **FUNZIONAMENTO ANOMALO DELL'APPARECCHIATURA**

- Non utilizzare il dispositivo come unico sistema di controllo delle funzioni di sistema critiche, come l'avvio o l'arresto di motori o il controllo dell'alimentazione.

**Il mancato rispetto delle istruzioni potrebbe provocare la morte, lesioni gravi o danni materiali.**

## **ATTENZIONE**

### **PERDITA DI CONTROLLO**

- Il progettista di qualsiasi schema di controllo deve prendere in considerazione le modalità di errore potenziali dei vari percorsi di controllo e, per alcune funzioni di controllo particolarmente critiche, deve fornire i mezzi per raggiungere uno stato di sicurezza durante e dopo un errore di percorso.
- Nel progettare il sistema di controllo della macchina si deve tenere in conto l'eventualità di un guasto permanente della retroilluminazione, che impedirebbe all'operatore di controllare l'attrezzatura o commettere errori di controllo.

**Il mancato rispetto delle istruzioni potrebbe provocare la morte, lesioni gravi o danni materiali.**

## **ATTENZIONE**

### **RISCHIO DI FOLGORAZIONE O ESPLOSIONE**

- Non disassemblare o modificare in alcun modo il dispositivo.
- Non utilizzare il dispositivo in aree in cui siano presenti gas infiammabili.
- Non far penetrare acqua nel connettore.
- Non toccare il connettore con le mani bagnate.

**Il mancato rispetto delle istruzioni potrebbe provocare la morte, lesioni gravi o danni materiali.**

## **ATTENZIONE**

### **USO NON PREVISTO DELL'ATTREZZATURA O PERDITA DI CONTROLLO**

- Non usare il dispositivo a temperature al di fuori dell'intervallo indicato in questa guida.
- Non utilizzare o conservare il dispositivo in ambienti a temperature estremamente elevate.
- Non usare o conservare il dispositivo esponendolo alla luce solare diretta o in ambienti eccessivamente polverosi o sporchi.
- Non usare o conservare il dispositivo in un ambiente in cui potrebbe essere esposto a vapori o fumi di sostanze chimiche.

**Il mancato rispetto delle istruzioni potrebbe provocare la morte, lesioni gravi o danni materiali.**

## **AVVERTENZA**

### **APPARECCHIATURA GUASTA**

- Non utilizzare oggetti o strumenti appuntiti per azionare il dispositivo.

**Il mancato rispetto delle istruzioni potrebbe provocare lesioni o danni materiali.**

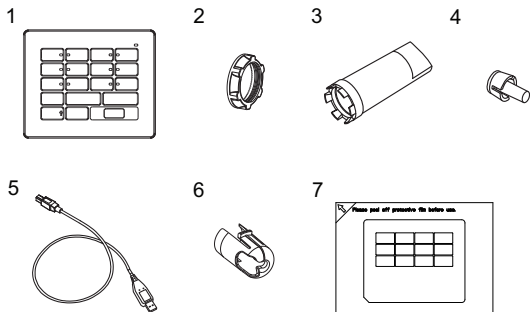
---

---

## Contenuto della confezione

---

Nella confezione della tastiera USB Magelis (HMIZKB1) è contenuto quanto segue: Prima di usare il dispositivo, verificare che tutti i componenti in elenco siano presenti.



- 1 Tastiera USB Magelis (1)
- 2 Dado di installazione (1)
- 3 Chiave di serraggio (1)
- 4 Raccordo anti-rotazione (1)
- 5 Cavo USB (tipo A/mini-B, 1,8 m (5,91 ft.)) (1)
- 6 Morsetto USB (tipo mini-B) (1)
- 7 Etichetta sostituibile per tasti funzione (1)
- 8 Guida per l'installazione <questo documento>

Questa unità è stata confezionata con la massima attenzione alla qualità. In presenza di eventuali danni o qualora si riscontrasse la mancanza di alcuni componenti contattare immediatamente il rivenditore locale.

---

## Informazioni sul manuale

---

Questo manuale descrive le procedure di cablaggio e installazione. Per informazioni più dettagliate, fare riferimento al manuale del Software di Editing sotto indicato.

Manuale	Sommario
Manuale di riferimento	Uso della tastiera USB Magelis.

Si possono selezionare i manuali dal menu Guida di Vijeo Designer (Ver 6.2 o successiva) o scaricare i manuali dalla Home Page di Schneider Electric.

URL
<a href="http://www.schneider-electric.com/">http://www.schneider-electric.com/</a>

## Specifiche generali

### Specifiche generali

Tipo di connettore	USB I/F	Tipo mini-B (presa), USB 2.0 Full Speed
--------------------	---------	---

### Specifiche elettriche

Alimentazione	Tensione input nominale	5 Vdc (Alimentata dal bus USB)
	Limiti di tensione input	4,75...5,25 Vdc
	Assorbimento	0,75 W o minore

### Specifiche ambientali

Ambiente fisico	Temperatura aria circostante	0...55 °C (32...131 °F)
	Temperatura di magazzino	-20...60 °C (-4...140 °F)
	Umidità dell'aria circostante e di magazzino	10...90% di umidità relativa (non condensante, temperatura di bulbo umido 39 °C [102,2 °F] o inferiore)
	Polvere	0,1 mg/m <sup>3</sup> (10 <sup>-7</sup> oz/ft <sup>3</sup> ) o minore (livelli non conduttivi)
	Grado di inquinamento	Adatto all'uso in ambienti con grado di inquinamento 2
	Gas corrosivi	Privo di gas corrosivi
	Altitudine di esercizio	2.000 m [6.561 ft] o inferiore
Ambiente meccanico	Resistenza alle vibrazioni	Conforme a IEC/EN 61131-2 5...9 Hz con ampiezza singola da 3,5 mm (0,14 in.) 9...150 Hz accelerazione fissa: 9,8 m/s <sup>2</sup> Direzioni X, Y, Z per 10 cicli (100 minuti)
	Resistenza agli urti	Conforme a IEC/EN 61131-2 (147 m/s <sup>2</sup> direzioni X, Y, Z per 3 volte)
Ambiente elettrico	EFT/Burst	IEC61000-4-4 2 kV Porta di alimentazione (Display) 1 kV Porte di segnale
	Protezione dalle scariche elettrostatiche	IEC61000-4-2 6 kV Scarica di contatto 8 kV Scarica in aria

## Specifiche esterne

Dimensioni esterne	L 97,6 x A 80,0 x P 31,5 mm (L 3,84 x A 3,15 x P 1,24 in.)
Struttura*1	IP65 UL50E TYPE 4X (solo uso interno) (sul pannello anteriore se è installato correttamente in un involucro)
Peso	150 g (0,33 lb) o minore

- \*1. Il lato anteriore del dispositivo, installato in un riquadro robusto, è stato testato in condizioni equivalenti agli standard indicati nelle specifiche. Anche se il grado di resistenza del dispositivo è equivalente a UL50E TYPE 4X, oli che non dovrebbero danneggiare il dispositivo potrebbero però avere effetti dannosi sul pannello. Prima di installare il dispositivo, verificare le condizioni dell'ambiente di esercizio.  
Se la guarnizione di installazione viene usata per un lungo periodo di tempo o se il dispositivo e la sua guarnizione vengono rimossi dal pannello, non è possibile mantenere il livello originale di protezione.

## PERICOLO

### POTENZIALE DI ESPLOSIONE

- Verificare che i cavi di alimentazione, ingresso e uscita (I/O) siano conformi ai metodi di cablaggio Classe I, Divisione 2.
- La sostituzione di qualsiasi componente può compromettere l'idoneità alla Classe I, Divisione 2.
- Non scollegare l'apparecchiatura mentre il circuito è in funzione, a meno di essere certi che l'area sia priva di concentrazioni di gas infiammabili.
- Rimuovere l'alimentazione prima di attaccare e staccare qualsiasi connettore a/da questo prodotto.
- Accertarsi che i collegamenti elettrici, di comunicazione e ad accessori non esercitino sollecitazioni eccessive sulle porte. Nella valutazione, tenere conto delle eventuali vibrazioni ambientali.
- Verificare che i cavi di alimentazione, di comunicazione e di accessori esterni siano saldamente fissati al pannello o al cabinet.
- Adatto all'uso nei luoghi pericolosi di Classe I, Divisione 2, Gruppi A, B, C e D.
- Verificare che il cavo USB sia stato fissato con il morsetto serracavo USB prima di utilizzare l'interfaccia USB.

**Il mancato rispetto delle istruzioni provoca la morte o lesioni gravi.**

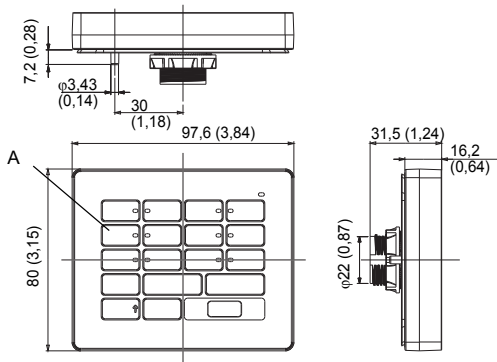
---

---

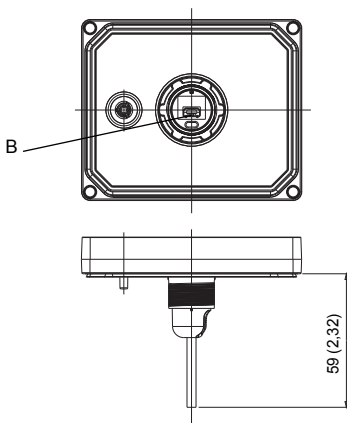
## Dimensioni

---

Dimensioni esterne [mm (in.)]

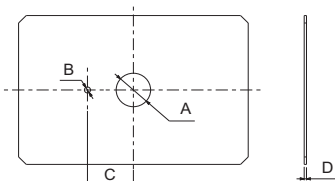
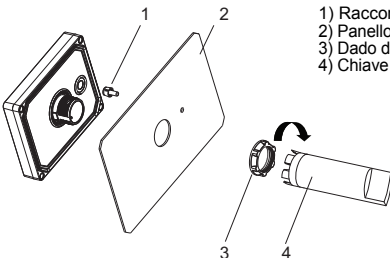


Dimensioni con il cavo [mm (in.)]



- A. Tasto num. / tasto funzione  
B. Interfaccia USB (tipo mini-B)

## Installazione

Passo	Azione												
1	<p>Praticare un'apertura nel pannello e inserire il dispositivo dalla parte anteriore. La seguente illustrazione mostra l'apertura del pannello per il dispositivo:</p>  <table border="1" data-bbox="212 575 922 742"> <thead> <tr> <th>A</th> <th>B</th> <th>C</th> <th>D</th> </tr> </thead> <tbody> <tr> <td>22,50<sup>+0</sup><sub>-0,30</sub> mm</td> <td>4<sup>+0</sup><sub>-0,20</sub> mm</td> <td>30<sup>+0</sup><sub>-0,20</sub> mm</td> <td>1,5...6 mm (0,06...0,23 in.)</td> </tr> <tr> <td>(0,88<sup>+0</sup><sub>-0,01</sub> in.)</td> <td>(0,15<sup>+0</sup><sub>-0,007</sub> in.)</td> <td>(1,18<sup>+0</sup><sub>-0,007</sub> in.)</td> <td></td> </tr> </tbody> </table>	A	B	C	D	22,50 <sup>+0</sup> <sub>-0,30</sub> mm	4 <sup>+0</sup> <sub>-0,20</sub> mm	30 <sup>+0</sup> <sub>-0,20</sub> mm	1,5...6 mm (0,06...0,23 in.)	(0,88 <sup>+0</sup> <sub>-0,01</sub> in.)	(0,15 <sup>+0</sup> <sub>-0,007</sub> in.)	(1,18 <sup>+0</sup> <sub>-0,007</sub> in.)	
A	B	C	D										
22,50 <sup>+0</sup> <sub>-0,30</sub> mm	4 <sup>+0</sup> <sub>-0,20</sub> mm	30 <sup>+0</sup> <sub>-0,20</sub> mm	1,5...6 mm (0,06...0,23 in.)										
(0,88 <sup>+0</sup> <sub>-0,01</sub> in.)	(0,15 <sup>+0</sup> <sub>-0,007</sub> in.)	(1,18 <sup>+0</sup> <sub>-0,007</sub> in.)											
2	<p>Inserire il dispositivo nell'apertura del pannello. Avvitare il dado alla coppia di 1,2...2 N•m (10,62...17,70 lb-in)</p>  <ol style="list-style-type: none"> <li>1) Raccordo anti-rotazione</li> <li>2) Pannello</li> <li>3) Dado di installazione</li> <li>4) Chiave per il serraggio</li> </ol> <p><b>Nota:</b></p> <ul style="list-style-type: none"> <li>• Rimuovere il cavo USB prima di rimuovere l'unità.</li> <li>• Se si usa un raccordo anti-rotazione, inserirlo fermamente nel dispositivo.</li> </ul>												



## PERICOLO

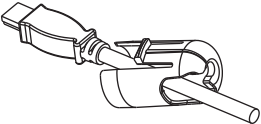
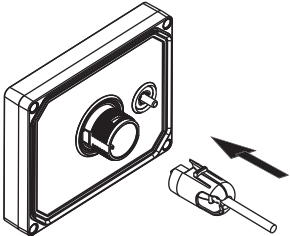
### RISCHIO DI SCOSSA ELETTRICA, ESPLOSIONE O ARCO ELETTRICO

- Isolare completamente la tensione dal dispositivo prima di smontare coperture o elementi dal sistema e prima di installare o togliere qualsiasi accessorio, componente hardware o cavo.
- Staccare il cavo di alimentazione dal modulo dell'alimentatore.
- Per verificare che l'alimentazione sia disattivata usare sempre un rivelatore di tensione correttamente tarato.
- Prima di ricollegare l'alimentazione al prodotto rimontare e fissare tutti le coperture e i componenti del sistema.

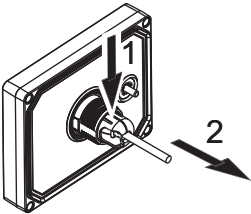
**Il mancato rispetto delle istruzioni provoca la morte o lesioni gravi.**

## Morsetto USB

### Attacco

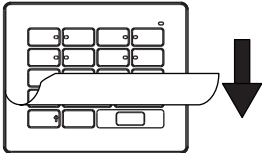
Passo	Azione
1	Far passare il cavo USB attraverso il morsetto USB. 
2	Inserire il cavo USB nell'interfaccia USB (tipo mini-B) del dispositivo. Inserire il morsetto USB nel foro di montaggio. 

## Rimozione

Passo	Azione
1	Tenere la linguetta di blocco del morsetto e tirare per rimuoverla. 

## Etichetta sostituibile per tasti funzione

Usare l'etichetta sostituibile per cambiare la dicitura del tasto.

Passo	Azione
1	Staccare la pellicola di protezione dell'etichetta sostituibile.
2	Stampare una dicitura nuova sull'etichetta sostituibile. <b>Nota:</b> <ul style="list-style-type: none"><li>• L'etichetta sostituibile è in formato A6. Per informazioni più dettagliate sul metodo di stampa, fare riferimento al manuale del Software di Editing.</li><li>• Se l'etichetta sostituibile viene sfregata troppo energicamente, la scritta dell'etichetta sostituibile potrebbe cancellarsi.</li></ul>
3	Attaccare l'etichetta sostituibile.  <b>Nota:</b> Quando si sostituisce l'etichetta sostituibile, staccare lentamente la parte smussata sulla parte inferiore sinistra dell'etichetta. In caso contrario, la pellicola del dispositivo potrebbe staccarsi.

---

---

## Opzioni

---

### Opzioni di montaggio a parete

Nome prodotto	Modello n.	Descrizione
Montaggio a parete	HMIZWMKB1	Consente di montare a parete la tastiera USB Magelis. Usarlo quando si tiene la tastiera USB Magelis nelle mani.
Cavo frontale USB	XBTZGUSB	Cavo di prolunga che si collega all'interfaccia USB (Tipo A) sul pannello anteriore.

### Opzioni di manutenzione

Nome prodotto	Modello n.	Descrizione
Dado di installazione	ZB5AZ901	Dado per installazione in un pannello solido (10 pz/kit)
Chiave di serraggio	ZB5AZ905	Chiave di serraggio per avvitare e svitare il dado di installazione. (1 pz/kit)
Etichetta sostituibile per tasti funzione	HMIZLYKB1	Etichetta sostituibile per tasti funzione (5 fogli/set)
Kit di accessori per tastiera USB Magelis	HMIZKITKB1	Raccordi anti-rotazione (5 pezzi), morsetto serracavo USB per evitare lo scollegamento (USB/mini-B, 1 porta, 5 pezzi)

## Standard applicabili

Il dispositivo viene prodotto in conformità con:

- Standard UL 508 e CSA C22.2 n°142 per apparati di controllo industriale
- Standard ANSI/ISA - 12.12.01 e CSA C22.2 n°213 per le apparecchiature elettriche per l'uso nei luoghi pericolosi di Classe I, Divisione 2.

**Nota:**

- Da usare in ambienti con inquinamento Grado 2.
- Da utilizzare sulla superficie piana di un involucro Tipo 1, Tipo 4X (solo uso interno).
- Adatto all'uso solo in luoghi pericolosi e non pericolosi di Classe I, Divisione 2, Gruppi A, B, C e D.

Per informazioni su certificazioni e norme, come per esempio modelli certificati e certificazioni, vedere di seguito o vedere i contrassegni dei prodotti.

<http://www.schneider-electric.com/>

## PERICOLO

### POTENZIALE DI ESPLOSIONE

- Verificare sempre che il prodotto sia idoneo all'uso in ambienti pericolosi, controllando che la certificazione ANSI/ISA 12.12.01 o CSA C22.2 N°213 sia presente sulle etichette del prodotto.
- Non tentare di installare, azionare, modificare, fare manutenzione, assistenza o altro che alteri questo prodotto, eccetto quanto consentito in questo manuale. Azioni non consentite potrebbero compromettere l'idoneità del prodotto per il funzionamento in Classe I, Divisione 2.
- Per accendere e spegnere il prodotto installato in un luogo pericoloso di Classe I, Divisione 2, è necessario:
  - utilizzare un interruttore posto esternamente all'ambiente pericoloso, oppure
  - utilizzare un interruttore certificato per funzionamento in ambiente pericoloso di Classe I, Divisione 1.
- Non collegare né scollegare le apparecchiature, a meno che non sia stata disattivata l'alimentazione o non sia stato accertato che l'area non è soggetta a rischi. Questo vale per tutti i collegamenti, compresi l'alimentazione, la terra, la serie, il parallelo e la rete.
- In ambienti pericolosi non utilizzare mai cavi non schermati o non connessi alla terra.
- In spazi ristretti, mantenere le porte chiuse e aprirle sempre di poco per evitare l'accumulo di corpi estranei dentro la workstation.
- Bloccare in maniera sicura i dispositivi collegati esternamente e ciascuna interfaccia prima di attivare la corrente.
- Non utilizzare, collegare o scollegare cavi USB, a meno che si conosca l'area come non è pericolosa.
- Rischio potenziale di scariche elettrostatiche: pulire la parte anteriore del terminale con un panno umido prima di accendere l'apparecchio.

**Il mancato rispetto delle istruzioni provoca la morte o lesioni gravi.**

## AVVERTENZA

### PERICOLO AMBIENTALE DELL'APPARATO

- Consentire al dispositivo di raggiungere la temperatura dell'aria circostante, non più di 55 °C (131 °F), prima di accenderlo.
- Non accendere il dispositivo se è presente della condensa all'interno. Dopo che si è asciugata completamente, il dispositivo potrà essere acceso.
- Non esporre il dispositivo a luce solare diretta.
- Rimuovere la polvere dal dispositivo prima di accenderlo.
- Accertarsi che il morsetto del cavo USB non sia danneggiato. Se necessario sostituirli.

**Il mancato rispetto delle istruzioni potrebbe provocare lesioni minori o danni materiali.**

Il dispositivo è un apparecchiatura per uso in ambiente industriale.

Quando si usa il dispositivo in un sistema, il sistema dovrebbe esser conforme con i seguenti standard rispetto all'installazione e alla manipolazione.

- Norma WEEE, Direttiva 2012/19/UE
- Norma RoHS, Direttiva 2011/65/UE
- Standard RoHS Cina, Standard SJ/T 11364

### Marchi CE

Questo prodotto è conforme ai requisiti obbligatori delle seguenti Direttive per l'applicazione dell'etichetta CE:

- Direttiva 2004/108/EC EMC

Questa conformità si basa sulla conformità con EN61131-2, EN61000-6-4, EN61000-6-2

### Marchi KC

### 사용자안내문

기종별	사용자안내문
A급 기기 (업무용 방송통신기자재)	이 기기는 업무용(A급) 전자파적합기기로서 판매자 또는 사용자는 이 점을 주의하시기 바라며, 가정외의 지역에서 사용하는 것을 목적으로 합니다.

---

**NOTA**

Tenere presente che Schneider Electric non si assume alcuna responsabilità per danni, perdite o reclami da parte di terzi derivanti dall'uso di questo prodotto.



## ADVERTÊNCIA

### OPERAÇÃO ACIDENTAL DO EQUIPAMENTO

- Não utilize a unidade como o único meio de controle das funções críticas do sistema, como arranque/paragem do motor ou controlo de alimentação.

**O não cumprimento destas instruções pode resultar em morte, ferimentos graves ou danos no equipamento.**

## ADVERTÊNCIA

### PERDA DE CONTROLE

- O projetista de qualquer esquema de controlo deve considerar os possíveis modos de falha de caminhos de controlo e, para certas funções de controlo críticos, fornecer um meio para atingir um estado seguro durante e após uma falha no caminho.
- O projeto do sistema de controlo da máquina deve levar em consideração a possibilidade da luz de fundo parar de funcionar e do operador ficar impossibilitado de controlar a máquina ou errar ao controlar a máquina.

**O não cumprimento destas instruções pode resultar em morte, ferimentos graves ou danos no equipamento.**

## ADVERTÊNCIA

### PERIGO DE CHOQUE ELÉTRICO OU EXPLOÇÃO

- Não desmonte ou remodele a unidade de nenhuma forma.
- Não usar a unidade em áreas onde gases inflamáveis estão presentes.
- Não permitir que a água entre no conector.
- Não toque o conector com as mãos molhadas.

**O não cumprimento destas instruções pode resultar em morte, ferimentos graves ou danos no equipamento.**



## ADVERTÊNCIA

### **OPERAÇÃO ACIDENTAL DO EQUIPAMENTO OU PERDA DE CONTROLE**

- Não usar a unidade em temperaturas fora da faixa especificada no guia.
- Não utilizar nem armazenar a unidade em temperaturas muito altas.
- Não usar ou armazenar a unidade em ambientes sob luz solar direta ou excessivamente empoeirados ou sujos.
- Não usar ou armazenar a unidade em um ambiente onde possa ser exposto a gases ou vapores químicos.

**O não cumprimento destas instruções pode resultar em morte, ferimentos graves ou danos no equipamento.**

## CUIDADO

### **EQUIPAMENTO QUEBRADO**

- Não usar objetos pontiagudos ou ferramentas para operar a unidade.

**O não cumprimento destas instruções pode resultar em ferimentos ou danos no equipamento.**

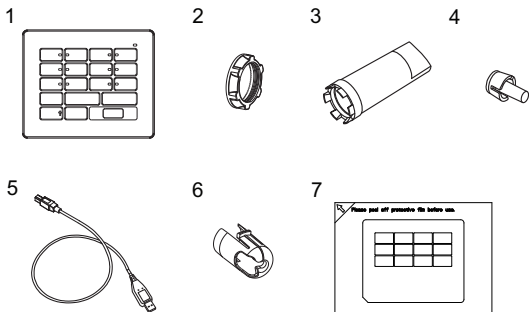
---

---

## Conteúdo da embalagem

---

Os seguintes itens estão incluídos no pacote do teclado USB Magelis (HMIZKB1). Antes de usar a unidade, por favor confirmar que todos os itens listados aqui estão presentes.



- 1 Teclado USB Magelis (1)
- 2 Porca de Instalação (1)
- 3 Chave de aperto (1)
- 4 Ferramenta anti-rotação (1)
- 5 Cabo USB (Tipo A/mini-B, 1,8 m (5,91 ft.)) (1)
- 6 Grampo USB (Tipo mini-B) (1)
- 7 Rótulo substituível para teclas de função (1)
- 8 Guia de instalação <este documento>

Esta unidade foi embalada cuidadosamente com atenção especial à qualidade.

Entretanto, caso identifique algo danificado ou faltando, por favor entre em contato com o seu distribuidor local imediatamente.

---

## Sobre o Manual

---

Este manual descreve os procedimentos de cabeamento e instalação. Para obter mais informações detalhadas, consulte o manual do Software de Edição abaixo.

Manual	Conteúdo
Manual de Referência	Usar o teclado USB Magelis.

Você pode selecionar os manuais pelo menu de ajuda do Vijeo Designer (Ver 6.2 ou superior) ou baixar os manuais pelo website da Schneider Electric.

URL
<a href="http://www.schneider-electric.com/">http://www.schneider-electric.com/</a>

## Especificações Gerais

### Especificações Gerais

Tipo de Conector	USB I/F	Tipo mini-B (soquete), USB 2.0 velocidade total
------------------	---------	---

### Especificações Eléctricas

Fonte Energia	Tensão nominal de entrada	5 Vdc (Alimentado por bus USB)
	Limites da tensão de entrada	4,75...5,25 Vdc
	Consumo de energia	0,75 W ou menos.

### Especificações ambientais

Ambiente físico	Temperatura de Operação do Ar Ambiente	0...55 °C (32...131 °F)
	Temperatura de armazenamento	-20...60°C (-4...140 °F)
	Umidade do ar ambiente e de armazenamento	10...90% UR (sem condensação, temperatura de bulbo molhado 39 °C [102,2 °F] ou menos)
	Poeira	0,1 mg/m <sup>3</sup> (10 <sup>-7</sup> oz/ft <sup>3</sup> ) ou menos (níveis não condutivos)
	Grau de poluição	Para uso em ambiente com Grau de poluição 2
	Gases corrosivos	Livre de gas corrosivo
	Altitude Operacional	2.000 m [6.561 ft] ou inferior
Ambiente Mecânico	Resistência a vibração	Conformidade com IEC/EN 61131-2 5...9 Hz Amplitude simple 3,5 mm (0,14 in.) 9...150 Hz Aceleração fixa: 9,8 m/s <sup>2</sup> Direções X, Y, Z por 10 ciclos (100 minutos)
	Resistência de impacto	Conformidade com IEC/EN 61131-2 (147 m/s <sup>2</sup> , direções X, Y e Z por 3 vezes)
Ambiente Eléctrico	Rajada de onda errante rápida eléctrica	IEC61000-4-4 2 kV Porta de alimentação (Unidade de exibição) 1 kV Portas de sinal
	Imunidade de descarga eletrostática	IEC61000-4-2 6 kV Descarga do contato 8 kV Descarga do Ar

## Especificações Externas

Dimensões Externas	L97,6 x A80,0 x C31,5 mm (L3,84 x A3,15 x C1,24 in.)
Estrutura *1	IP65 UL50E TYPE 4X (usado apenas internamente) (no painel frontal quando è instalado adequadamente no compartimento)
Peso	150 g (0,33 lb) ou menos

\*1. A face frontal da unidade, instalada numa superfície sólida, foi testada usando condições equivalentes às normas mostradas nesta especificação. Mesmo se o nível de resistência da unidade for equivalente a UL50E TYPE 4X, óleos que não devem ter efeito na unidade podem possivelmente danificar o painel. Portanto, antes de instalar a unidade, certifique-se em confirmar o tipo de condições que irão estar presentes no ambiente de funcionamento das unidades.

Se a junta de instalação for utilizada por um período de tempo longo, ou se a unidade e sua junta são removidos do painel, o nível de proteção original não pode ser mantida.

## PERIGO

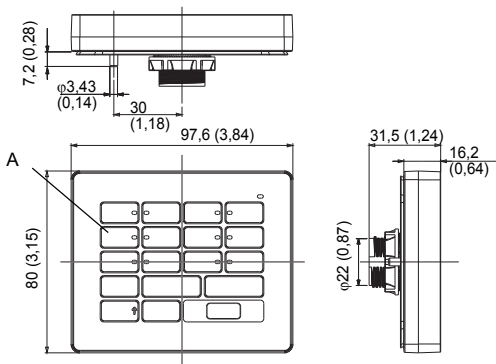
### POTENCIAL DE EXPLOSÃO

- Verifique se o cabeamento de energia, entrada e saída (I/O) são em conformidade com os métodos de fiamento da Classe I, Divisão 2.
- A substituição de qualquer componente pode afetar a adequação para Classe I, Divisão 2.
- Não desconecte o equipamento enquanto o circuito estiver ativo ou a menos que a área esteja livre de concentrações de gases inflamáveis.
- Desligue a energia antes de ligar ou desligar qualquer conector para ou deste produto.
- Assegure-se que as conexões de alimentação, comunicação e acessórios não forcem as portas excessivamente. Considere a vibração no ambiente ao fazer esta determinação.
- Fixe com segurança os cabos de alimentação, comunicação e acessórios externos ao painel ou armário.
- Adequado para uso em Classe I, Divisão 2, Localizações Perigosas de Grupos A, B,C e D.
- Confirme que o cabo USB está anexado com o grampo de cabo USB antes de utilizar a interface USB.

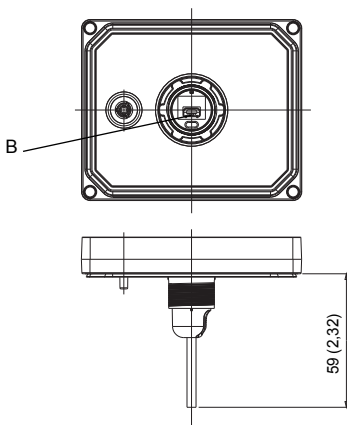
**O não cumprimento destas instruções irá resultar em morte ou ferimentos graves.**

## Dimensões

### Dimensões Externas [mm (in.)]



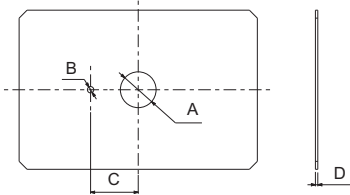
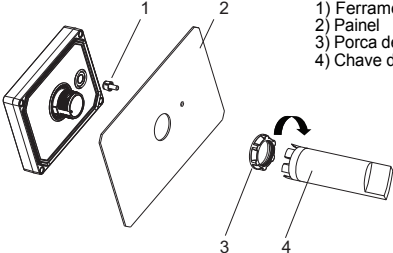
### Dimensões Externas [mm (in.)]



A. Tecla num./Tecla de função

B. Interface USB (Tipo mini-B)

## Instalação

Passo	Ação								
1	<p>Crie um corte do painel e insira a unidade no painel, a partir da parte frontal. A ilustração seguinte mostra o corte do painel para uma unidade:</p>  <table border="1" data-bbox="205 594 930 757"> <thead> <tr> <th>A</th> <th>B</th> <th>C</th> <th>D</th> </tr> </thead> <tbody> <tr> <td>22,50<sup>+0</sup><sub>-0,30</sub> mm (0,88<sup>+0</sup><sub>-0,01</sub> in.)</td> <td>4<sup>+0</sup><sub>-0,20</sub> mm (0,15<sup>+0</sup><sub>-0,007</sub> in.)</td> <td>30<sup>+0</sup><sub>-0,20</sub> mm (1,18<sup>+0</sup><sub>-0,007</sub> in.)</td> <td>1,5...6 mm (0,06...0,23 in.)</td> </tr> </tbody> </table>	A	B	C	D	22,50 <sup>+0</sup> <sub>-0,30</sub> mm (0,88 <sup>+0</sup> <sub>-0,01</sub> in.)	4 <sup>+0</sup> <sub>-0,20</sub> mm (0,15 <sup>+0</sup> <sub>-0,007</sub> in.)	30 <sup>+0</sup> <sub>-0,20</sub> mm (1,18 <sup>+0</sup> <sub>-0,007</sub> in.)	1,5...6 mm (0,06...0,23 in.)
A	B	C	D						
22,50 <sup>+0</sup> <sub>-0,30</sub> mm (0,88 <sup>+0</sup> <sub>-0,01</sub> in.)	4 <sup>+0</sup> <sub>-0,20</sub> mm (0,15 <sup>+0</sup> <sub>-0,007</sub> in.)	30 <sup>+0</sup> <sub>-0,20</sub> mm (1,18 <sup>+0</sup> <sub>-0,007</sub> in.)	1,5...6 mm (0,06...0,23 in.)						
2	<p>Insira a unidade no buraco do painel. Parafuse a porca usando torque 1,2...2 N•m (10,62...17,70 lb-in)</p>  <ol style="list-style-type: none"> <li>1) Ferramenta anti-rotação</li> <li>2) Painel</li> <li>3) Porca de instalação</li> <li>4) Chave de aperto</li> </ol> <p><b>Nota :</b></p> <ul style="list-style-type: none"> <li>• Remover o cabo USB antes de remover a unidade.</li> <li>• Se usar uma ferramenta anti-rotação, inserir na unidade de forma segura.</li> </ul>								

## PERIGO

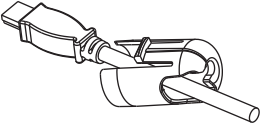
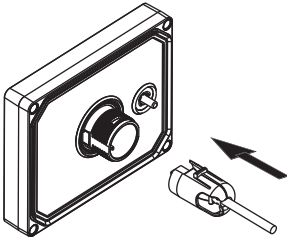
### RISCO DE CHOQUE ELÉTRICO, EXPLOÇÃO OU ARCO ELÉTRICO

- Remover toda a energia do dispositivo antes de remover quaisquer tampas ou elementos do sistema e antes de instalar ou remover acessórios, hardware ou cabos.
- Desconecte o cabo de força do equipamento e da fonte de alimentação.
- Sempre use dispositivos de verificação de tensão com classificação nominal adequada para confirmar se a alimentação está desligada.
- Troque e fixe todas as tampas ou elementos do sistema antes de alimentar este produto.

**O não cumprimento destas instruções irá resultar em morte ou ferimentos graves.**

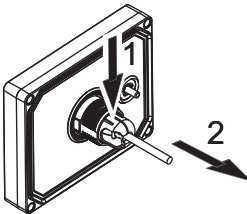
## Grampo USB

Anexo

Passo	Ação
1	Passe o cabo USB através do grampo USB. 
2	Insira o cabo USB na interface USB (Tipo mini-B) na unidade. Insira o prendedor de USB dentro do orifício de montagem. 

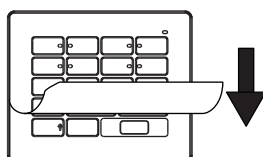


## Remoção

Passo	Ação
1	Segure a trava da pinça e puxe para removê-la. 

## Rótulo substituível para teclas de função

Usar a etiqueta de inserção para trocar os rótulos no interruptor.

Passo	Ação
1	Retire a película de proteção da etiqueta substituível.
2	Imprimir um rótulo novo na etiqueta de inserção. <b>Nota :</b> <ul style="list-style-type: none"><li>• A etiqueta substituível é de tamanho A6. Para obter informações mais detalhadas sobre o método de impressão, consulte o manual do Software de Edição.</li><li>• Se esfregar muito a etiqueta para substituição, o que vem impresso na etiqueta para substituição pode ficar borrado.</li></ul>
3	Anexe a etiqueta substituível.  <b>Nota :</b> Ao substituir o rótulo substituível, retire lentamente a parte chanfrada na parte inferior esquerda da etiqueta. Caso contrário, o filme da unidade poderá descascar.

---

---

## Opções

---

### Opções de anexos de montagem na parede

Nome do produto	Nº do Modelo	Descrição
Anexos de montagem na parede	HMIZWMKB1	Este acessório permite que você monte o teclado USB Magelis na parede. Por favor, use-o quando segurar o Teclado USB Magelis em suas mãos.
Cabo frontal USB	XBTZGUSB	Cabo de extensão que conecta a interface USB (Tipo A) ao painel frontal.

### Opções de manutenção

Nome do produto	Nº do Modelo	Descrição
Porca de Instalação	ZB5AZ901	Porca para a instalação para um painel sólido (10 peças/conjunto)
Chave de aperto	ZB5AZ905	Chave de soquete para apertar e soltar a porca de instalação. (1 peças/conjunto)
Rótulo substituível para teclas de função	HMIZLYKB1	Rótulo substituível para teclas de função (5 folhas/conjunto)
Kit de acessórios para teclado USB Magelis	HMIZKITKB1	Ferramenta anti-rotação (5 peças), grampo de cabo USB para evitar a desconexão (USB/mini-B, 1 porta, 5 peças)

---

---

## Padrões Relevantes

---

A unidade é fabricada de acordo com:

- Normas UL 508 e CSA C22.2 n°142 para Equipamento de controlo industrial
- Normas ANSI/ISA- 12.12.01 e CSA C22.2 n°213 para equipamento elétrico para uso na Classe I, Divisão 2 de Localizações Perigosas

**Nota :**

- Para uso em ambientes com Poluição de Grau 2.
- Use sobre a superfície plana de um invólucro Tipo 1 ou Tipo 4X (somente uso interno).
- Adequado somente para uso em Classe I, Divisão 2, Localizações Perigosas de Grupos A, B,C e D, ou Localizações Não-Perigosas.

Para obter informações sobre certificações e padrões, como modelos certificados e certificados, consulte o seguinte ou marcas de produto:

<http://www.schneider-electric.com/>

### PERIGO

#### POTENCIAL DE EXPLOSÃO

- Sempre confirme que este produto é conveniente para uso em localizações perigosas por verificação que a certificação ANSI/ISA 12.12.01 ou CSA C22.2 N°213 aparece no rótulo do produto.
- Não tente instalar, operar, modificar, manter, serviço ou caso contrário alterar este produto, exceto conforme permitido neste manual. Ações não permitidas podem prejudicar a adequação deste produto para a operação de Classe I, Divisão 2.
- Para ligar ou desligar este produto instalado em uma Localização Perigosa de Classe I, Divisão 2, você deve:
  - Usar um interruptor localizado fora do ambiente perigoso, ou
  - Usar um interruptor certificado para operação em Classe I, Divisão 1 dentro da área perigosa.
- Não desligue equipamento excepto se a energia estiver desligada ou a área for conhecida como não perigosa. Isso se aplica a todas as conexões, incluindo conexões de alimentação, aterramento, serial, paralela e rede.
- Nunca use cabos sem blindagem ou aterramento em locais perigosos.
- Mantenha as portas e aberturas do compartimento fechadas o tempo todo para evitar o acúmulo de corpos estranhos dentro da estação de trabalho.
- Bloqueie com segurança as unidades ligadas externamente e cada interface, ligando a fonte de alimentação.
- Não use, conecte, ou desconecte o cabo USB a menos que a área seja conhecida como sem-riscos.
- Perigo potencial de carga electrostática: Limpe o painel frontal do terminal com um pano húmido antes de LIGAR.

**O não cumprimento destas instruções irá resultar em morte ou ferimentos graves.**

## CUIDADO

### RISCOS AMBIENTAIS PARA O EQUIPAMENTO

- Permita que a unidade atinja a temperatura do ar ambiente, não superior a 55 °C (131 °F), antes de ligar a unidade.
- Não ligar a unidade se condensação ocorreu dentro da unidade. Depois que ele estiver completamente seco novamente, a unidade pode ser ligada.
- Não expor a unidade à luz do sol direta.
- Remover qualquer poeira da unidade antes de ligá-lo.
- Certifique-se que o grampo de cabo USB não está danificado. Substitua-os, se necessário.

**O não cumprimento destas instruções pode resultar em ferimentos ou danos no equipamento.**

A unidade é um dispositivo para utilização em sistemas de fábrica.

Quando usar a unidade em um sistema, o sistema deve cumprir as seguintes normas em relação ao ambiente de instalação e manipulação.

- Padrão WEEE, Diretiva 2012/19/UE
- Padrão RoHS, Diretiva 2011/65/UE
- Padrão RoHS China, Padrão SJ/T 11364

### Marcas CE

Este produto está em conformidade com os requisitos necessários das seguintes Directivas para aplicação da etiqueta CE:

- Directiva EMC 2004/108/EC

Esta conformidade é baseada no cumprimento com EN61131-2, EN61000-6-4, EN61000-6-2

### Marcas KC

#### 사용자안내문

기종별	사용자안내문
A급 기기 (업무용 방송통신기자재)	이 기기는 업무용(A급) 전자파적합기기로서 판매자 또는 사용자는 이 점을 주의하시기 바라며, 가정외의 지역에서 사용하는 것을 목적으로 합니다.

**NOTA**

Esteja ciente de que a Schneider Electric Corporation não será responsabilizada pelo usuário por quaisquer danos, perdas ou reclamações de terceiros decorrentes da utilização deste produto.

 **警告**

**意外的设备操作**

- 请勿将设备作为控制关键系统功能（例如电机的启动/停止或控制电源）的唯一手段。

**如果未能遵守本说明，可能会导致人员死亡、重伤或设备损坏。**

 **警告**

**失控**

- 任何控制方案的设计者都必须考虑到控制路径可能出现故障的情况，并为某些关键控制功能提供一种方法，使其在出现路径故障时，以及出现路径故障后恢复至安全状态。
- 在机器控制系统设计中，必须考虑背光灯失效，或操作员无法控制机器的可能性，或是控制机器过程中出错的情况。

**如果未能遵守本说明，可能会导致人员死亡、重伤或设备损坏。**

 **警告**

**存在电击或爆炸的危险**

- 请勿在任何情况下擅自拆卸和改装此设备。
- 请勿在含有易燃气体的环境中使用此设备。
- 请勿将电缆接口接触到液体。
- 请勿用潮湿的手接触电缆的接口。

**如果未能遵守本说明，可能会导致人员死亡、重伤或设备损坏。**

 **警告**

**意外的设备操作或失控**

- 请勿在超出本指南规定范围的温度条件下使用此设备。
- 请勿在高温条件下使用或存放此设备。
- 请勿在阳光直射、灰尘过多或脏乱环境中使用或存放此设备。
- 请勿在易受化学蒸汽或烟雾影响的环境中使用或存放此设备。

**如果未能遵守本说明，可能会导致人员死亡、重伤或设备损坏。**

 **注意**

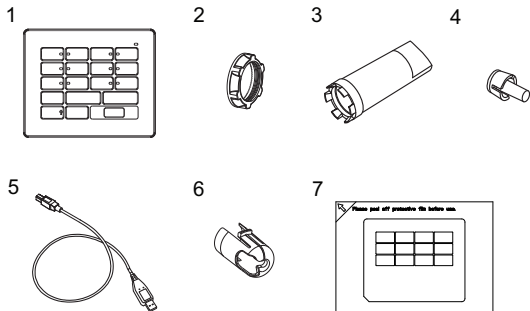
**设备损坏**

- 请勿使用尖利物品或工具操作此设备。

**如果未能遵守本说明，可能会导致人身伤害或设备损坏。**

## 装箱物品

Magelis USB 键盘包装 (HMIZKB1) 中包括下列物品。使用设备之前，请予以核实。



- 1 Magelis USB 键盘 (1)
- 2 安装螺母 (1)
- 3 拧紧扳手 (1)
- 4 防旋转钉 (1)
- 5 USB 线 (A/mini-B 型, 1.8 m/5.91 ft.) (1)
- 6 USB 夹具 (mini-B 型) (1)
- 7 可更换的功能键标签 (1)
- 8 安装指南 < 本文档 >

我们已经对此设备的包装进行了仔细的质量检查。  
如果您发现有损坏或有任何物品损失，请立即与您当地的经销商联系。

## 关于本手册

本手册主要介绍接线和安装步骤。更多详细信息，请参见下面的“编辑软件”手册。

手动的	内容
参考手册	使用 Magelis USB 键盘。

您可以从 Vijeo Designer (6.2 或以上版本) 的帮助菜单中获取手册，或从 Schneider Electric 主页下载手册。

URL
<a href="http://www.schneider-electric.com/">http://www.schneider-electric.com/</a>



## 一般规格

### 一般规格

连接器类型	USB I/F	mini-B 型 ( 插口 ), USB 2.0 Full Speed
-------	---------	-------------------------------------

### 电气规格

电源供应	额定输入电压	5 Vdc (USB 总线供电)
	输入电压限制	4.75 到 5.25 Vdc
	功耗	0.75 W 或更低

### 环境规格

物理环境	工作环境空气温度	0...55° C (32...131° F)
	储存温度	-20...60° C (-4...140° F)
	四周空气和存储湿度	10...90% RH (无冷凝, 湿球温度 39° C [102.2° F] 或以下)
	灰尘	0.1 mg/m <sup>3</sup> (10 <sup>-7</sup> oz/ft <sup>3</sup> ) 或更少 (非传导级别)
	污染程度	用在污染程度为 2 的环境中
	腐蚀性气体	不应存在腐蚀性气体
	工作海拔高度	2,000 m [6,561 ft] 或更低
机械环境	抗振动	遵守 IEC/EN 61131-2 5 到 9 Hz 单振幅 3.5 mm (0.14 in.) 9 到 150 Hz 固定加速度: 9.8 m/s <sup>2</sup> X、Y、Z 方向 10 个周期 (100 分钟。)
	耐振动	遵守 IEC/EN 61131-2 (147 m/s <sup>2</sup> , X、Y、Z 方向 3 次)
电气环境	电压瞬变突发耐受性	IEC61000-4-4 2 kV 电源端口 (显示设备) 1 kV 信号端口
	抗静电放电	IEC61000-4-2 6 kV 接触放电 8 kV 空气放电

## 外部规格

外部尺寸	W97.6 x H80.0 x D31.5 mm (W3.84 x H3.15 x D1.24 in.)
结构*1	IP65 UL50E TYPE 4X (仅限室内使用) (当妥善安装在机柜中时在前面板上)
重量	150 g (0.33 lb) 或更轻

- \*1. 已对安装在一个硬质面板上的单元的前面板，在规格中所述标准的同等条件下进行了测试。虽然设备的电阻级别相当于 UL50E TYPE 4X，但在设备上不应有影响的油类仍可能损坏面板。因此，在安装设备前，请确认设备工作环境的条件状况。如果安装衬垫的使用时间过长，或从面板上拆除设备及其衬垫，将无法提供原来的防护等级。

## 危险

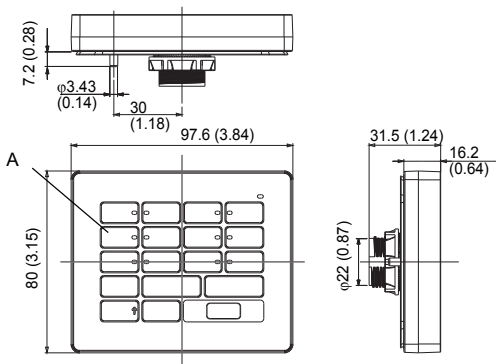
### 可能存在爆炸危险

- 确保电源、输入和输出 (I/O) 接线符合 Class I, Division 2 布线方式。
- 请勿使用可能会削弱对 Class I, Division 2 适用性的替换组件。
- 电路通电时，请勿断开设备，除非知道该区域没有达到易燃气体浓度。
- 把任何连接器连接到产品或从产品中拔下之前，请一定要先关闭电源。
- 确保电源、通讯和附件连接没有让端口承受过多压力。作出此决定时请考虑振动环境。
- 将电源线、通讯电缆和外部附件电缆牢固地连接到面板或机柜。
- 适合在 Class I, Division 2, Groups A、B、C 和 D 危险场所使用。
- 在使用 USB 接口前请确认 USB 电缆已经牢牢固定在 USB 电缆夹具上。

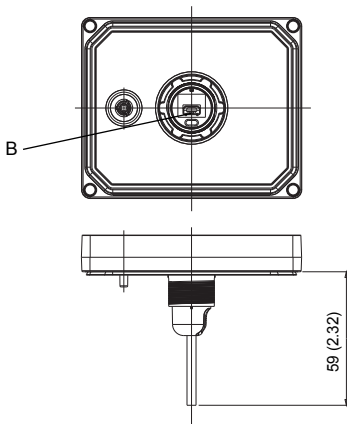
**如不遵守本说明，将可能会导致人员死亡或重伤。**

# 尺寸

外部尺寸 [mm (in.)]



包含电缆时的尺寸 [mm (in.)]



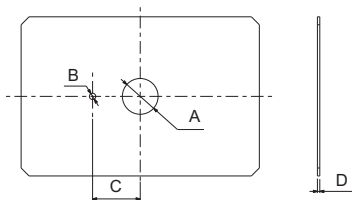
- A. 数字键 / 功能键
- B. USB (mini-B 型) 接口

# 安装

## 步骤

## 操作

- 1 在面板上开一个孔，将设备从前面插入到面板中。以下介绍如何在面板上为设备开孔：

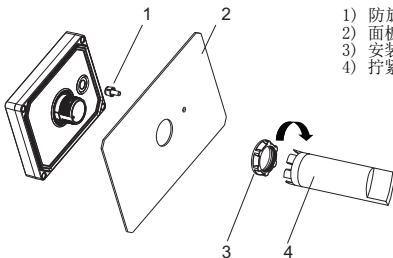


A	B	C	D
22.50 <sup>+0</sup> <sub>-0.30</sub> mm (0.88 <sup>+0</sup> <sub>-0.01</sub> in.)	4 <sup>+0</sup> <sub>-0.20</sub> mm (0.15 <sup>+0</sup> <sub>-0.007</sub> in.)	30 <sup>+0</sup> <sub>-0.20</sub> mm (1.18 <sup>+0</sup> <sub>-0.007</sub> in.)	1.5 到 6 mm (0.06 到 0.23 in.)

## 2

将设备插入面板开孔。

以 1.2...2 N•m(10.62...17.70 lb-in) 的扭矩拧紧螺母



- 1) 防旋转钉
- 2) 面板
- 3) 安装螺母
- 4) 拧紧扳手

### 注：

- 移除设备之前请先移除 USB 电缆。
- 如果使用防旋转钉，请将它牢固地插入设备中。

## ⚠ 危险

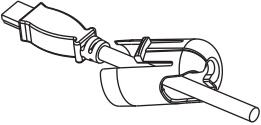
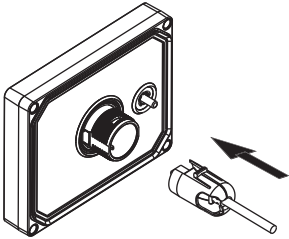
### 电击、爆炸或电弧危险

- 在安装或卸载各种附件、硬件或者电缆之前或移除系统的任何护盖或元器件前，请先断开电源。
- 从模块和电源上拔掉电源线插头。
- 始终使用合适的额定电压传感器确认所有电源已关闭。
- 装回并固定好系统的所有护盖或元件之后再给产品供电。

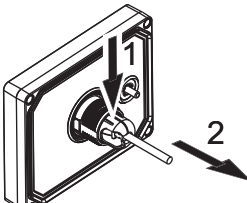
如不遵守本说明，将可能会导致人员死亡或重伤。

## USB 夹扣

### 附件

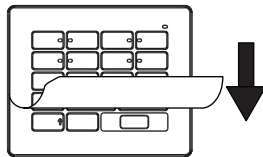
步骤	操作
1	将 USB 线穿过 USB 夹具。 
2	将 USB 线插入设备上的 USB (mini-B 型) 接口。将 USB 夹具插入安装孔。 

## 拆卸

步骤	操作
1	捏住夹具的锁定片，向外拉出。 

## 可更换的功能键标签

使用可更换的标签，更换按键上的标签。

步骤	操作
1	撕掉可更换标签上的保护膜。
2	在可更换标签上打印新的标签。 <b>注：</b> <ul style="list-style-type: none"><li>可更换标签是 A6 尺寸。有关打印方法的详细信息，请参见“编辑软件”手册。</li><li>如果用力刮擦可更换标签，可更换标签上的打印字迹可能脱落。</li></ul>
3	贴上可更换标签。  <b>注：</b> 在更换可更换标签时，缓慢揭开标签左下角切边部位。否则，设备薄膜可能脱落。

---

---

## 选项

---

### 壁挂连接选件

产品名称	型号	说明
壁挂连接件	HMIZWMKB1	利用此连接件，您可以将 Magelis USB 键盘挂在墙壁上。将 Magelis USB 键盘拿在手中时，请使用它。
USB 前端电缆	XBTZGUSB	延长线，将 USB(A 型) 接口连接到前面板。

### 维护选件

产品名称	型号	说明
安装螺母	ZB5AZ901	安装该螺母用于固定面板 (10 个 / 组)
拧紧扳手	ZB5AZ905	拧紧扳手，用于拧紧和松开安装螺母。(1 个 / 组)
可更换的功能键标签	HMIZLYKB1	可更换的功能键标签 (5 张 / 套)
Magelis USB 键盘附件	HMIZKITKB1	防旋转钉 (5 个)、防止连接断开的 USB 线夹具 (USB/mini-B、1 个端口，5 个)



## 相关标准

该设备根据以下标准制造：

- 用于工业控制设备的标准 UL 508 和 CSA C22.2 n° 142
- 用于在 Class I, Division 2 危险场所使用的电子设备的标准 ANSI/ISA - 12.12.01 和 CSA C22.2 n° 213

### 注：

- 用在污染等级为 2 的环境中。
- 适合在 Type 1 或 Type 4X(仅限室内使用)外壳的平滑表面上使用。
- 仅适用于 Class I, Division 2, A、B、C、D 组危险环境或非危险环境。

有关认证和标准的信息，如认证型号和证书，请参见以下内容或产品认证标志。

<http://www.schneider-electric.com/>



### 可能存在爆炸危险

- 务必通过检查 ANSI/ISA 12.12.01 或 CSA C22.2 N° 213 认证出现在产品标签上，来确认此产品适合在危险场所使用。
- 除非本手册中允许，否则请勿尝试安装、操作、修改、维护、保养或改造本产品。未经准许的操作会损害此产品 Class I, Division 2 操作的适用性。
- 若此产品安装在 Class I, Division 2 危险场所，在打开或关闭电源时，您必须：
  - 使用位于危险环境外的开关，或
  - 使用经认证适合在 Class I, Division 1 危险区域使用的开关。
- 除非电源已关闭或确定操作区域无危险，否则请勿断开设备的连接。这适用于所有连接，包括电源、接地、串行、并行和网络连接。
- 绝不要在危险位置使用非屏蔽 / 未接地电缆。
- 当隔离起来时，请保持机箱门和开口全时关闭，以避免工作站内聚集外部物质。
- 打开电源前牢固地锁定外部连接的设备和每个接口。
- 在确定该区域是非危险区域之前，请勿使用、连接或者断开 USB 线。
- 潜在的静电充电危险：打开电源前请用湿布擦拭终端的前面板。

**如不遵守本说明，将可能会导致人员死亡或重伤。**

## 注意

### 对环境危害

- 在开启设备之前，让设备达到周围环境的空气温度，不超过 55° C (131° F)。
- 如果设备内部受潮，请勿启动设备。设备重新变干之后，才可能启动。
- 请勿让设备与阳光直接接触。
- 启动设备之前，请将设备上的灰尘擦干净。
- 确保 USB 电缆夹具没有损坏。如有需要请予以替换。

**如果未能遵守本说明，可能会导致人身伤害或设备损坏。**

该设备用于工厂系统。

在系统中使用设备时，系统必须遵守以下安装环境和操作的相关标准。

- 标准 WEEE，指令 2012/19/EU
- 标准 RoHS，指令 2011/65/EU
- 标准 RoHS/ 中国，标准 SJ/T 11364

### CE 标识

此产品遵从下列规程的必要要求，以适用 CE 标签：

- 2004/108/EC EMC 规程

此符合性基于符合 EN61131-2、EN61000-6-4、EN61000-6-2 的要求。

### KC 标识

#### 사용자안내문

기종별	사용자안내문
A급 기기 (업무용 방송통신기자재)	이 기기는 업무용(A급) 전자파적합기기로서 판매자 또는 사용자는 이 점을 주의하시기 바라며, 가정외의 지역에서 사용하는 것을 목적으로 합니다.


---

**注**

施耐德电气对用户本产品所引起的伤害、损失以及所引发的第三方要求，概不负责，敬请谅解。

# 中国 RoHS 相关资料

( 本资料是中国 RoHS 的必备资料。 ) ( This information is essential for China RoHS. )

 部件名称 (Part Name)	有害物质 Hazardous Substances					
	铅 (Pb)	汞 (Hg)	镉 (Cd)	六价铬 (Cr (VI))	多溴联苯 (PBB)	多溴二苯醚 (PBDE)
金属部件 Metal parts	○	○	○	○	○	○
塑料部件 Plastic parts	○	○	○	○	○	○
电子件 Electronic	×	○	○	○	○	○
触点 Contacts	○	○	○	○	○	○
线缆和线缆附件 Cables & cabling accessories	○	○	○	○	○	○

本表格依据 SJ/T 11364 的规定编制。

○：表示该有害物质在该部件所有均质材料中的含量均在 GB/T 26572 规定的限量要求以下。

×：表示该有害物质至少在该部件的某一均质材料中的含量超出 GB/T 26572 规定的限量要求。

This table is made according to SJ/T 11364.

○：Indicates that the concentration of hazardous substance in all of the homogeneous materials for this part is below the limit as stipulated in GB/T 26572.

×：Indicates that concentration of hazardous substance in at least one of the homogeneous materials used for this part is above the limit as stipulated in GB/T 26572.