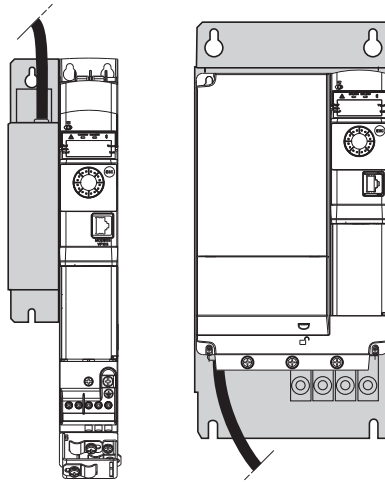




S1A4761508

ATV320 / ATV32  
ATV340 / LXM32

EMC filters  
VW3A4420 ... VW3A4426  
VW3A4461 - VW3A4462



## ⚠ ⚠ DANGER

### HAZARD OF ELECTRIC SHOCK, EXPLOSION, OR ARC FLASH

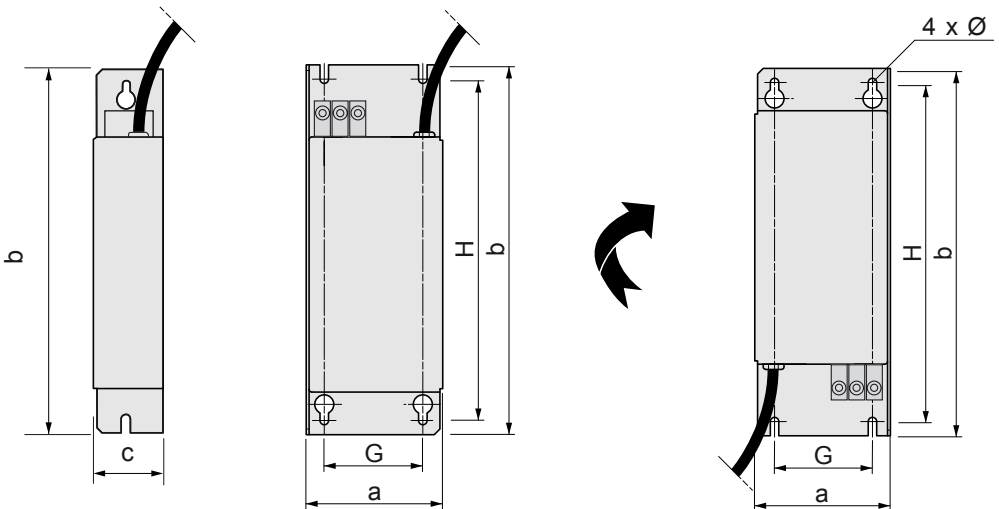
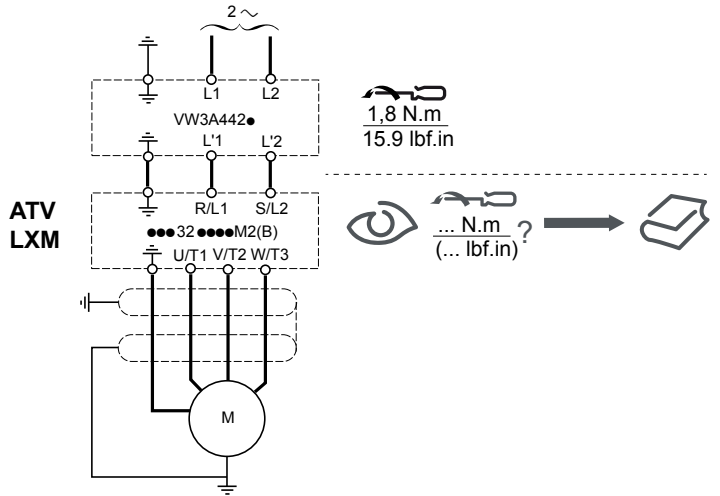
- Only appropriately trained persons who are familiar with and understand the contents of this manual and all other pertinent product documentation and who have received safety training to recognize and avoid hazards involved are authorized to work on and with this drive system. Installation, adjustment, repair, and maintenance must be performed by qualified personnel.
- The system integrator is responsible for compliance with all local and national electrical code requirements as well as all other applicable regulations with respect to grounding of all equipment.
- Many components of the product, including the printed circuit boards, operate with mains voltage. Do not touch. Use only electrically insulated tools.
- Do not touch unshielded components or terminals with voltage present.
- Motors can generate voltage when the shaft is rotated. Prior to performing any type of work on the drive system, block the motor shaft to prevent rotation.
- AC voltage can couple voltage to unused conductors in the motor cable. Insulate both ends of unused conductors of the motor cable.
- Do not short across the DC bus terminals or the DC bus capacitors or the braking resistor terminals.
- Before performing work on the drive system:
  - Disconnect all power, including external control power that may be present.
  - Place a "Do Not Turn On" label on all power switches.
  - Lock all power switches in the open position.
  - Wait 15 minutes to allow the DC bus capacitors to discharge. The DC bus LED is not an indicator of the absence of DC bus voltage that can exceed 800 Vdc.
  - Measure the voltage on the DC bus between the DC bus terminals (PA/+, PC/-) using a properly rated voltmeter to verify that the voltage is <42 Vdc.
  - If the DC bus capacitors do not discharge properly, contact your local Schneider Electric representative. Do not repair or operate the product.
- Install and close all covers before applying voltage.

**Failure to follow these instructions will result in death or serious injury.**

Electrical equipment should be installed, operated, serviced, and maintained only by qualified personnel. No responsibility is assumed by Schneider Electric for any consequences arising out of the use of this product.

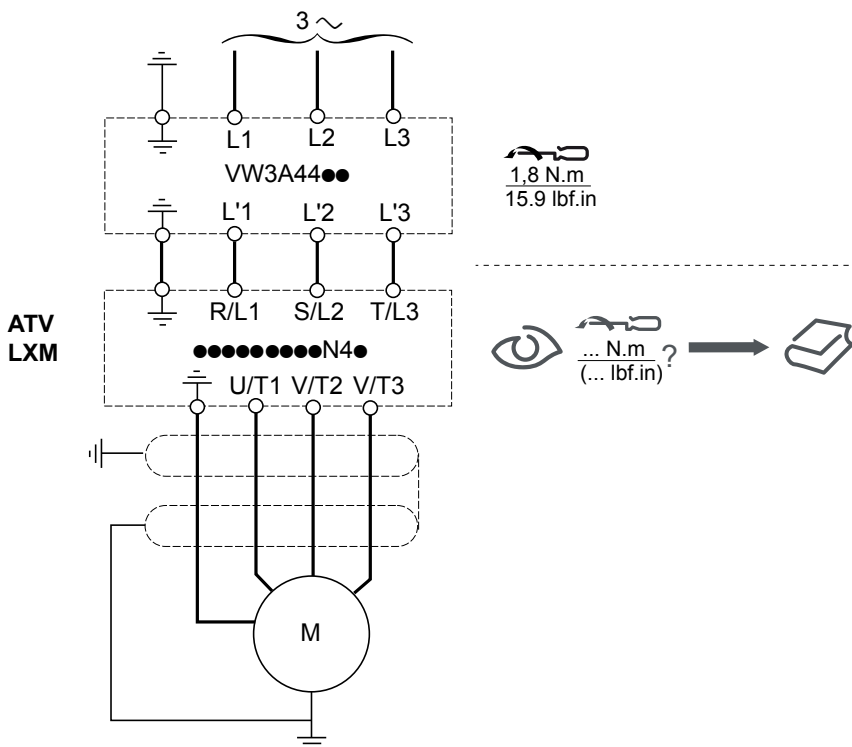
© 2019 Schneider Electric. All Rights Reserved.

<b>VW3A4420</b>	9A	ATV320U02M2B...U07M2B, ATV32H018M2...H075M2 LXM32●U45M2, U90M2
<b>VW3A4421</b>	16A	ATV320U11M2B...U15M2B, ATV32HU11M2...HU15M2 LXM32●D18M2, D30M2
<b>VW3A4426</b>	22A	ATV320U22M2B, ATV32HU22M2

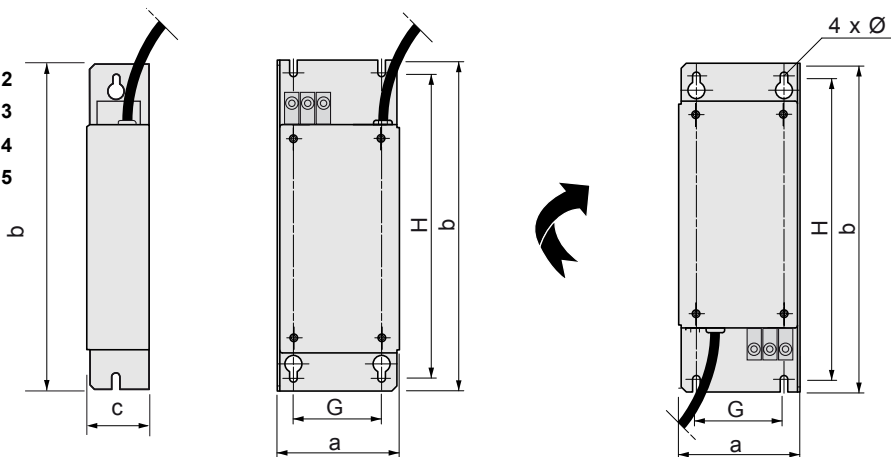


	a		b		c		G		H		Ø	
	mm	(inch)	mm	(inch)	mm	(inch)	mm	(inch)	mm	(inch)	mm	(inch)
<b>VW3A4420</b>	72	2.83	195	7.63	37	1.46	52	2.05	180	7.09	4.5	0.18
<b>VW3A4421</b>	107	4.21	195	7.63	35	1.38	85	3.35	180	7.09	4.5	0.18
<b>VW3A4426</b>	140	5.51	235	9.25	35	1.38	120	4.72	215	8.46	4.5	0.18

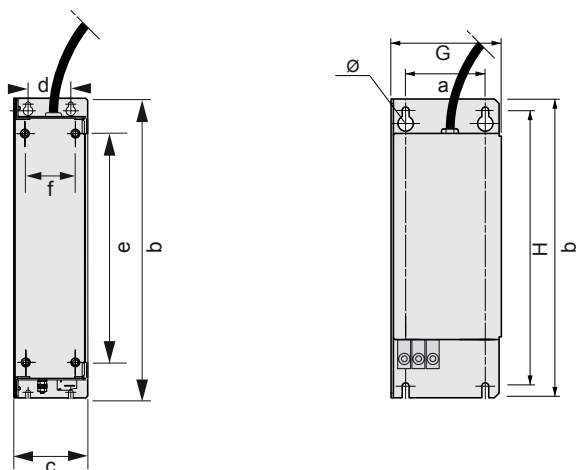
<b>VW3A4422</b>	15A	ATV340U07N4● .... ATV340U15N4● ATV320U04N4B...U40N4B, ATV32H037N4...HU40N4 LXM32●U60N4, D12N4, D18N4, D30N4
<b>VW3A4423</b>	25A	ATV340U22N4● .... ATV340U75N4● LXM32●D72N4
<b>VW3A4424</b>	47A	ATV320U55N4B, U754B, ATV32HU55N4, HU75N4 LXM32●D84N4, C10N4
<b>VW3A4425</b>	49A	ATV320D11N4B, D15N4B, ATV32HD11N4, D15N4
<b>VW3A4461</b>	6.5A	ATV320U04N4● .... ATV320U15N4●
<b>VW3A4462</b>	13.7A	ATV320U22N4● .... ATV320U40N4●



VW3A4422  
 VW3A4423  
 VW3A4424  
 VW3A4425



VW3A4461  
 VW3A4462



		a	b	c	d	e	f	G	H	Ø
<b>VW3A4422</b>	mm	107	195	42	-	121.5	93	85	180	4.5
	(in.)	4.21	7.68	1.65	-	4.76	3.66	3.35	7.09	0.18
<b>VW3A4423</b>	mm	140	235	50	-	157	126	120	215	4.5
	(in.)	5.51	9.25	1.97	-	6.18	4.96	4.2	8.46	0.18
<b>VW3A4424</b>	mm	180	305	60	-	210	160	140	285	5.5
	(in.)	7.09	12.01	2.36	-	8.26	6.3	5.48	11.15	0.22
<b>VW3A4425</b>	mm	245	395	60	-	295	225	205	375	5.5
	(in.)	9.65	15.55	2.35	-	11.61	8.86	8.07	14.6	0.22
<b>VW3A4461</b>	mm	70	315	60	28	258	29	45	301	10
	(in.)	2.75	12.4	2.36	1.1	10.15	1.14	1.77	11.85	0.39
<b>VW3A4462</b>	mm	78	315	75	42	258	42	49	301	10
	(in.)	3.07	12.4	2.95	1.65	10.15	1.65	1.93	11.85	0.39