

# How to connect S-One & S-One DPM connectors to reach performance

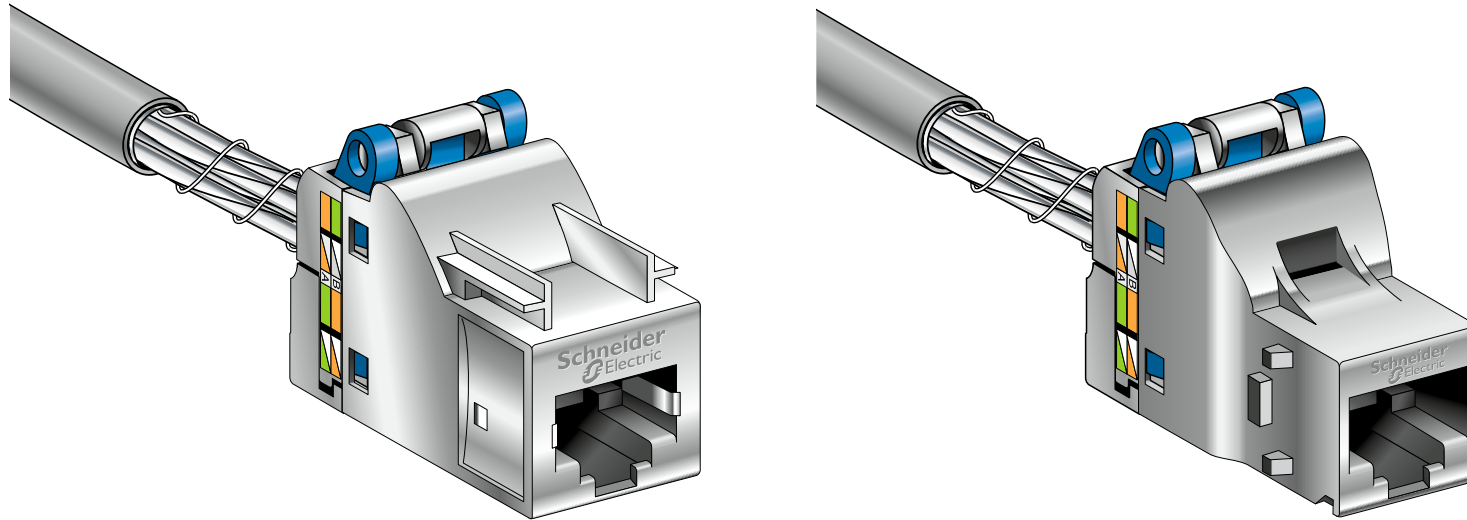
Download the Acrobat app  
for a better experience



Contains  
video links



Start  
reading



PoE+ \*  
4P PoE

IEEE 802.3bt Type 4 – 90W/52V (860mA per pair maximum)  
4-pair Power over Ethernet type 4 - IEC 60512-99-002

\* Power Over Ethernet (Ethernet et alimentation électrique)

Cat 5e Cat 6 Cat 6A

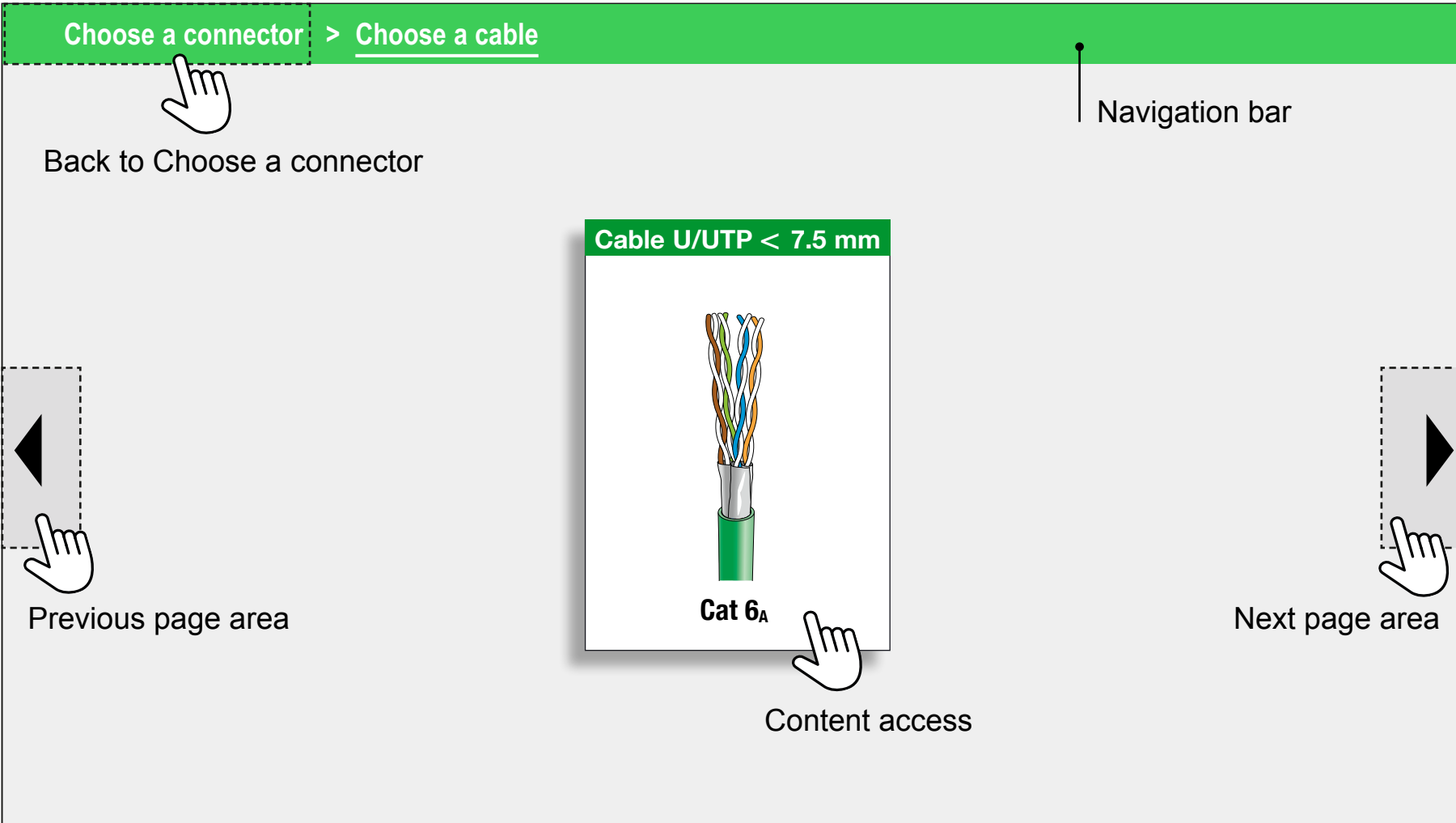
## RJ45 connectors S-One & S-One DPM

Installation Sheet  
GEX94517000

Life Is On

Schneider  
Electric

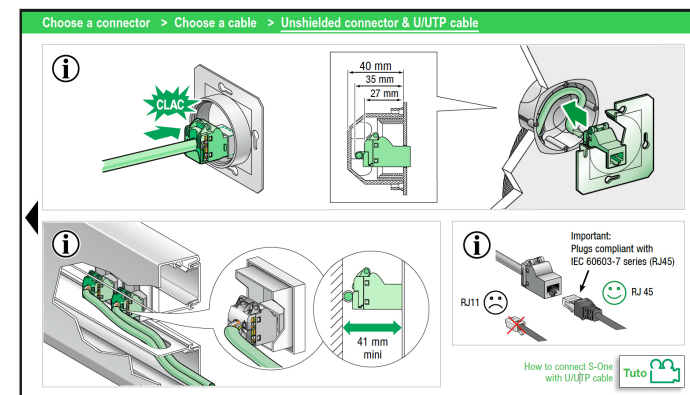
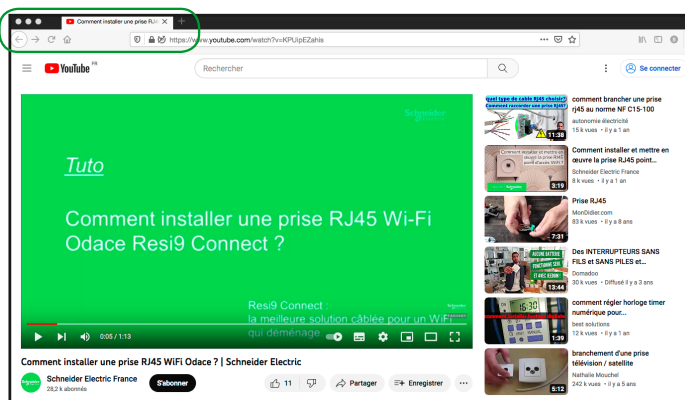
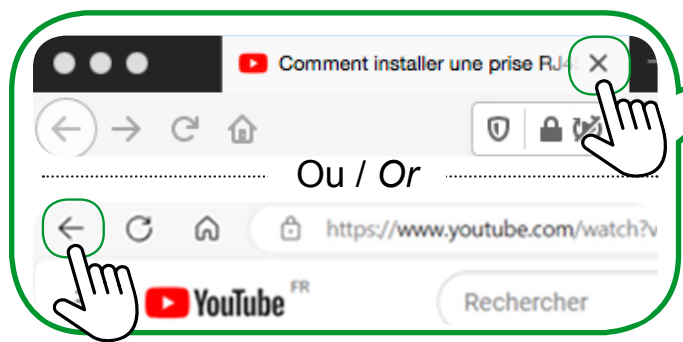
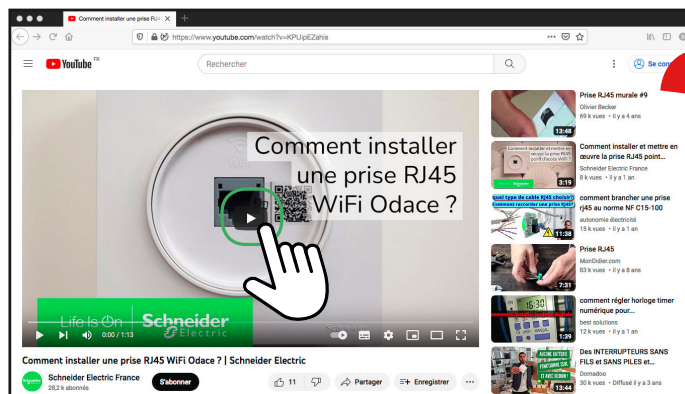
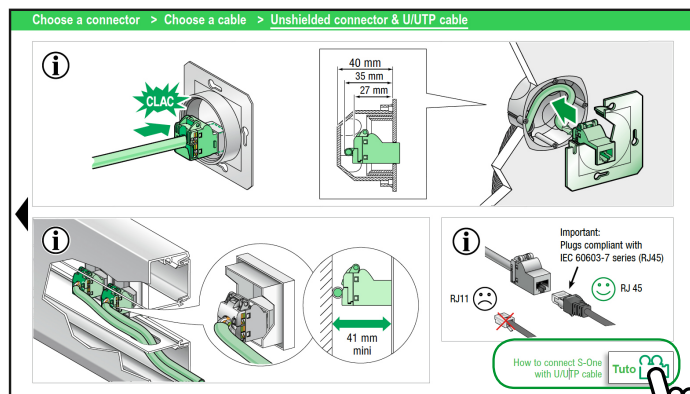
# Navigation tools





# Navigation tools

Access the tutorial on YouTube and return to the user guide



## **WARNING**



### **HAZARD OF ELECTRIC SHOCK, EXPLOSION OR ARC FLASH**

- This equipment must only be installed by a qualified person. This operation must only be carried out after reading all the instructions in this document.

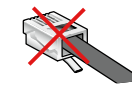
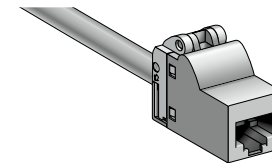
- NEVER work alone.
- Before making the visual inspections, tests or maintenance operations on this equipment, disconnect all electrical power supplies.
- Start off with the principle that all circuits are live until they have been completely powered down, tested and labeled. Pay special attention to the design of the power supply circuit. Take account of all power supply sources, including the possibility of feedback.
- Wear suitable personal protective equipment and respect applicable electrical safety instructions.
- Use a Voltage Tester of the appropriate rating.
- Take account of possible hazards. Carefully inspect the work area to check that no tools or objects could have been left inside the equipment.

**Failure to follow these instructions will result in death or serious injury.**

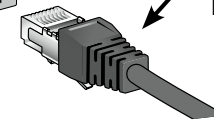
This instruction must be kept for future use.

### **IMPORTANT NOTE**

- This equipment be installed, repaired en maintained only by qualified personnel. No responsibility is assumed by Schneider Electric for any consequences arising out of the use of this documentation.
- A qualified person is one who has skills and knowledge related to the construction, installation and operation of electrical equipment and who has received safety training to recognize and avoid the hazards involved.
- Read this guide carefully and examine the equipment to become familiar with its operation before installing it.
- All applicable local, regional, and national regulations must be respected when installing, repairing, and maintaining this equipment.
- This device should not be installed if, when unpacking you observe that it is damaged.



RJ11




RJ 45



### **IMPORTANT**

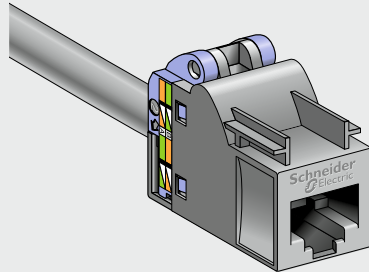
Plugs compliant with  
IEC 60603-7 series (RJ45)

I select the connector

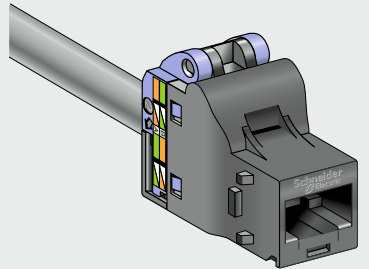
Click on the tab of your choice 

**Unshielded**

**Actassi S-One**

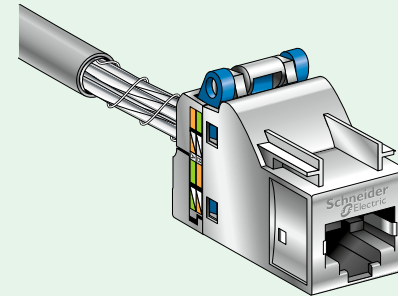


**Actassi S-One DPM**

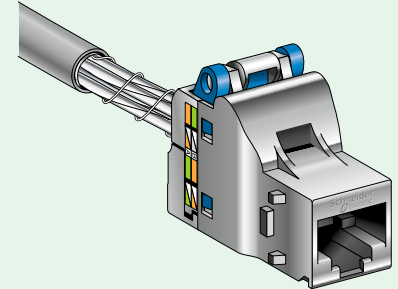


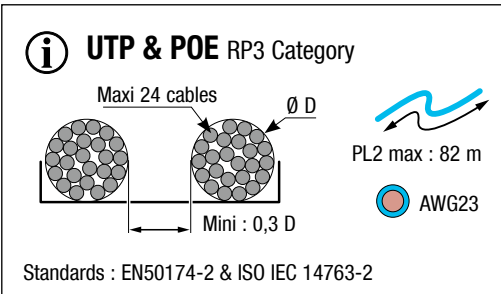
**Shielded**

**Actassi S-One**

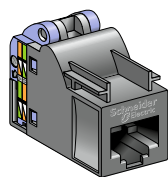


**Actassi S-One DPM**

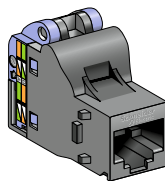




**S-One  
Unshielded**



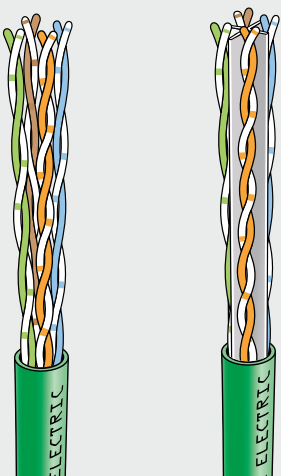
**S-One DPM  
Unshielded**



I select the cable

Click on the tab of your choice

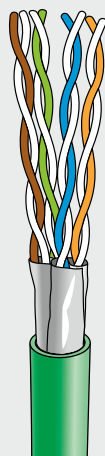
**Cable U/UTP < 6 mm**



**Cat 5e**

**Cat 6**

**Cable U/UTP < 7.5 mm**



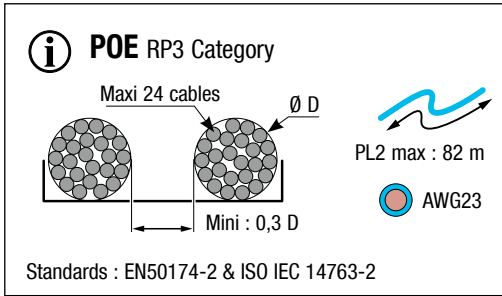
**Cat 6A**

**Cable U/UTP > 7.5 mm**

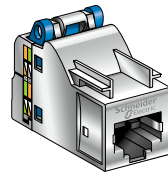


**Cat 6A**

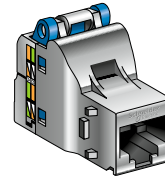
# Choose a connector > Choose a cable



**S-One  
Shielded**

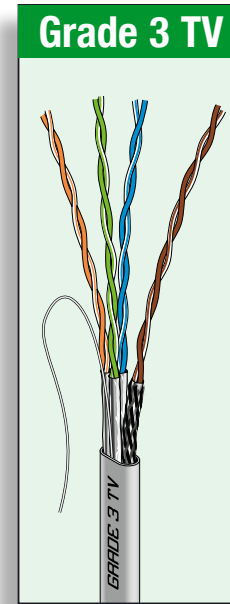
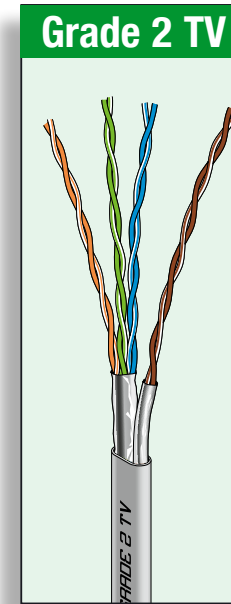
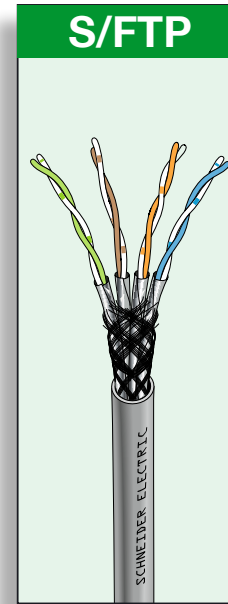
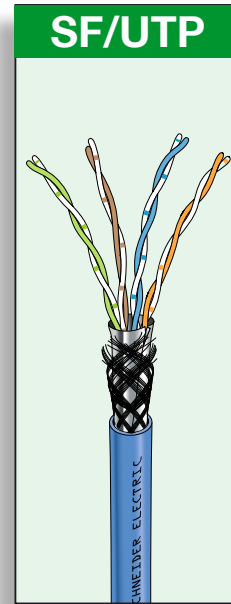
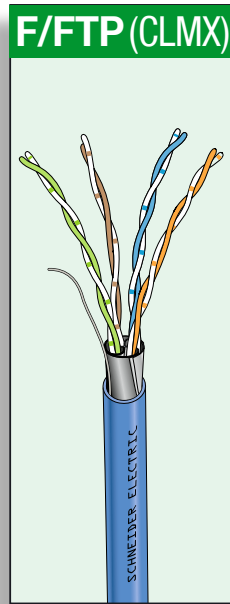
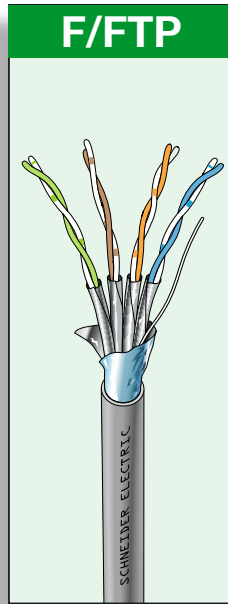
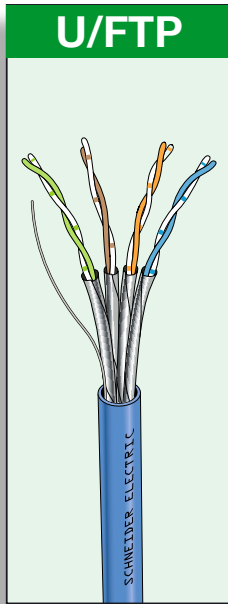
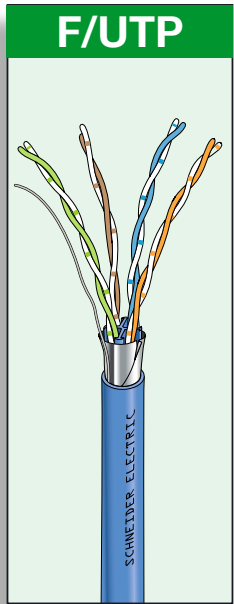


**S-One DPM  
Shielded**



I select the cable

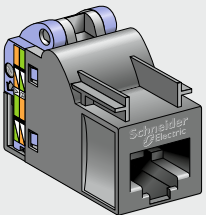
Click on the tab of your choice



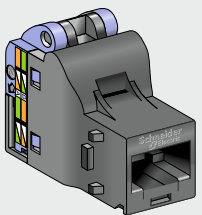
# Composition

## Unshielded connector

S-One



S-One DPM

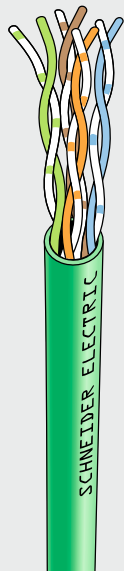


## U/UTP

Cat 5e

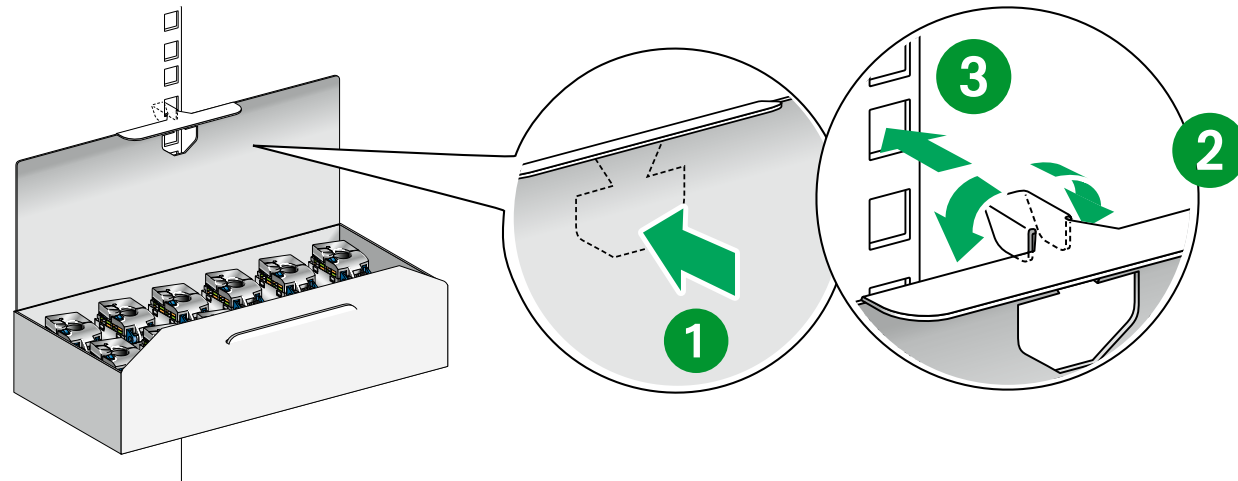
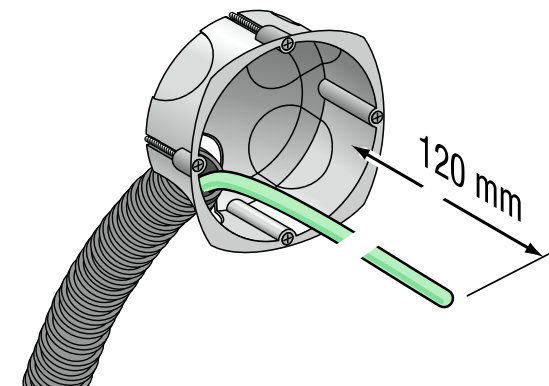
Cat 6

< 6 mm



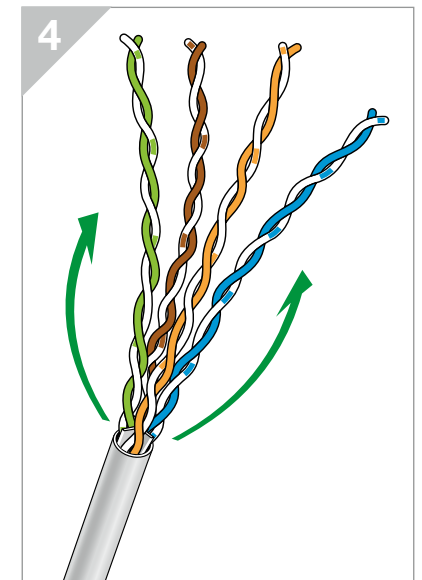
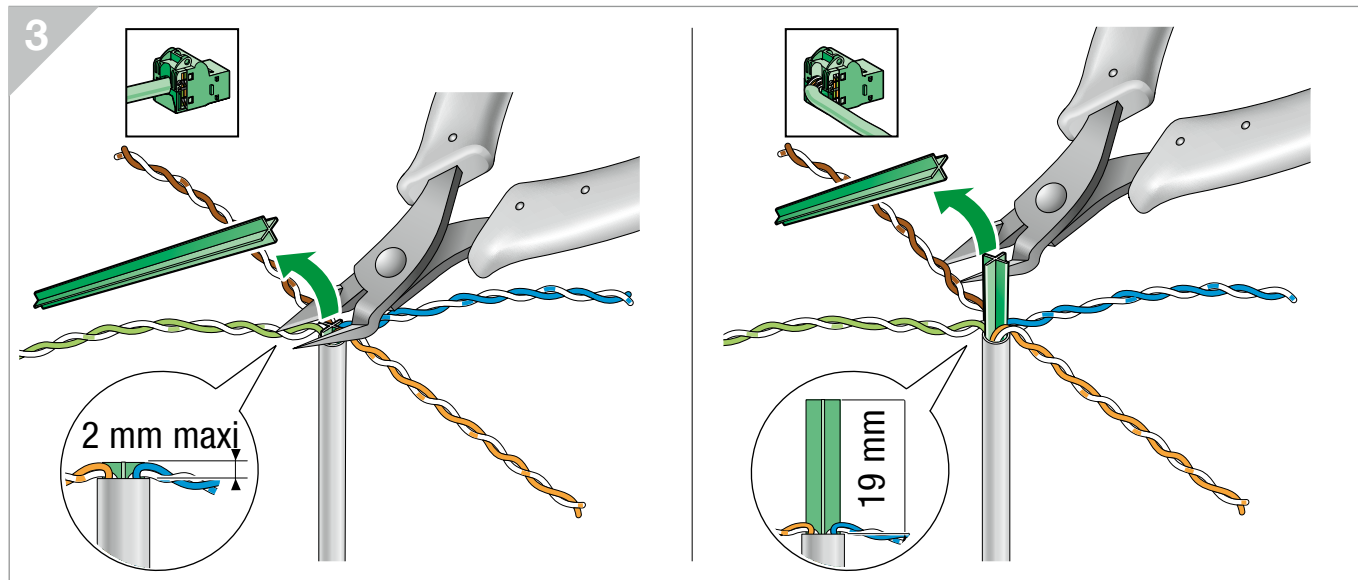
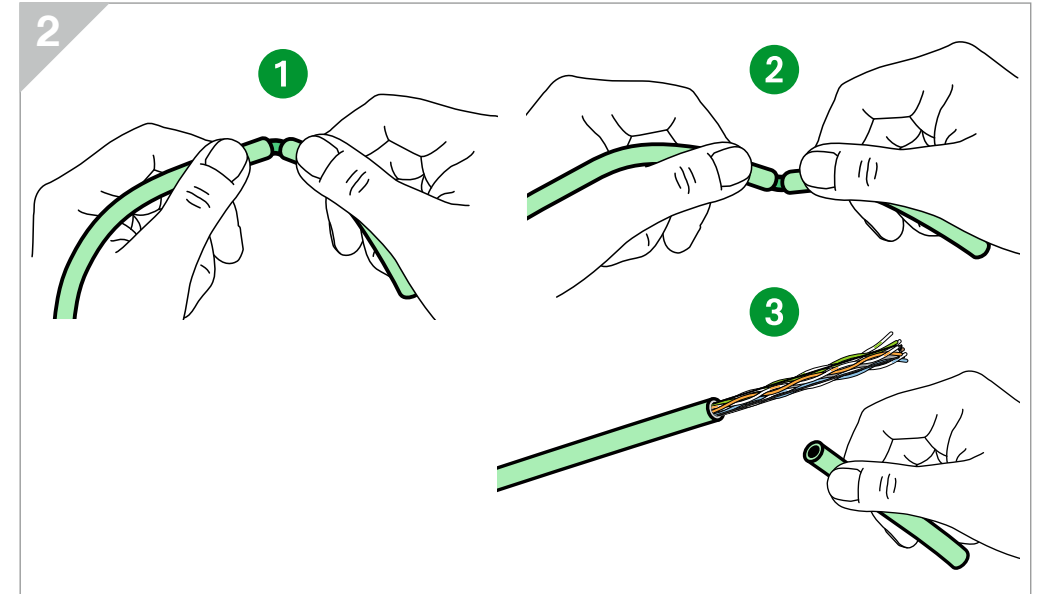
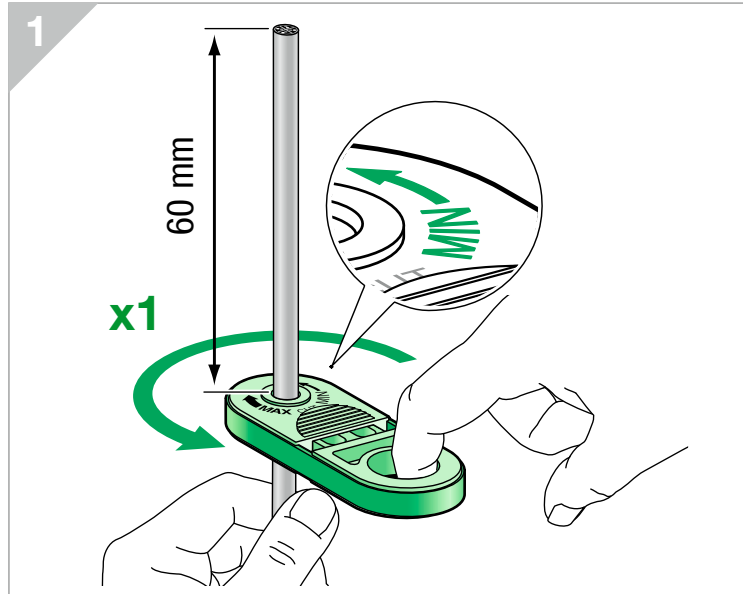
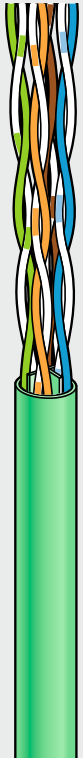
VDIR580020

x1



# Cable preparation

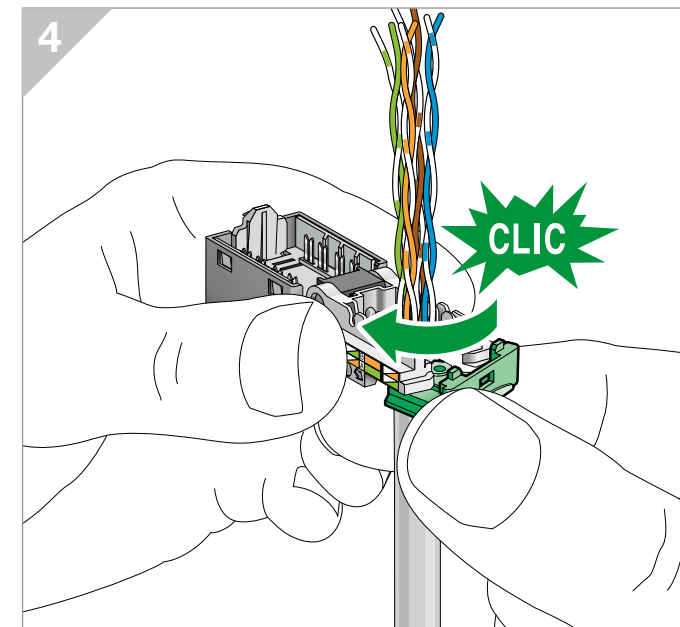
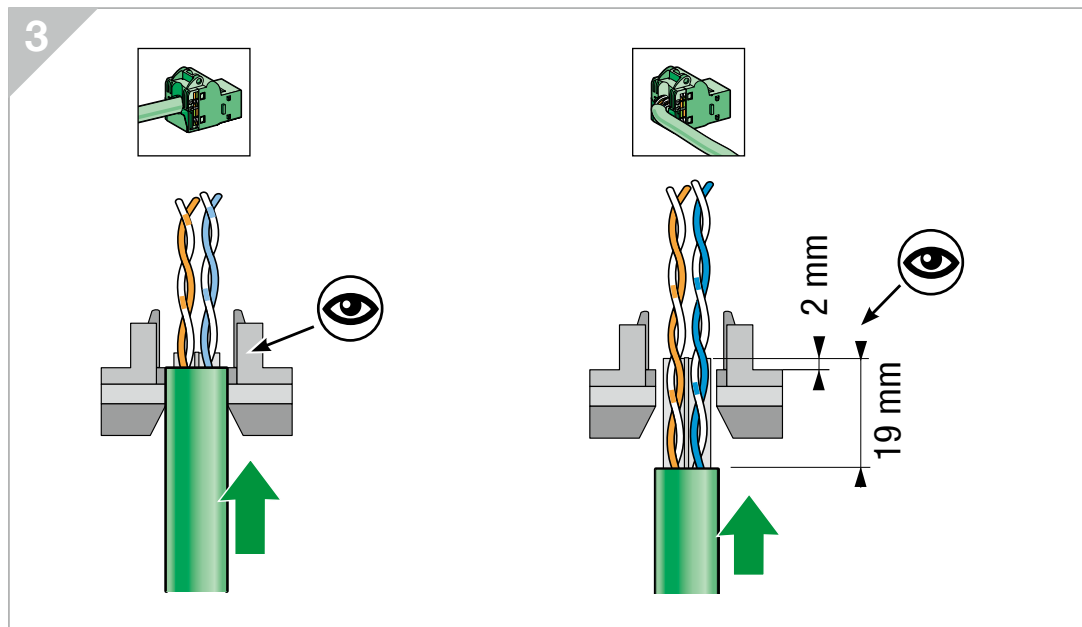
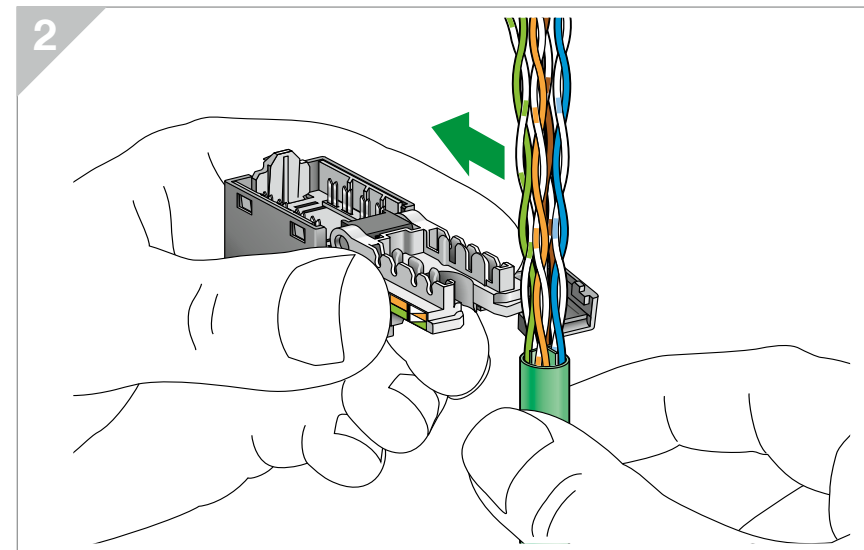
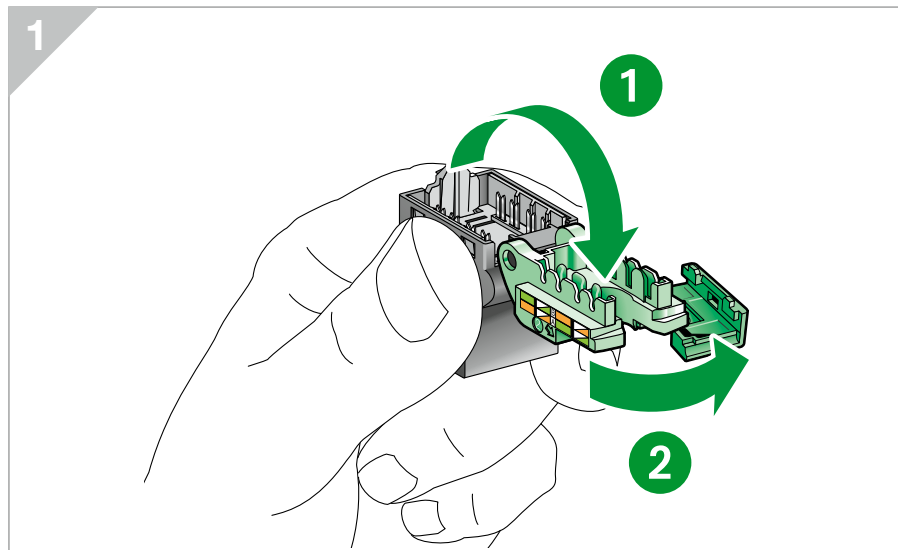
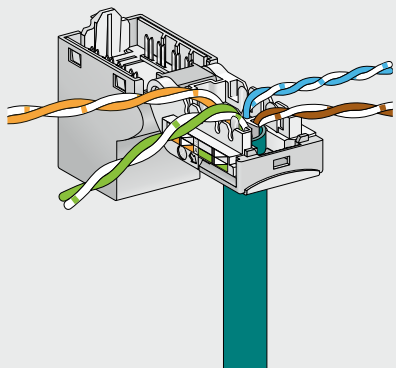
U/UTP





# Connector termination

U/UTP



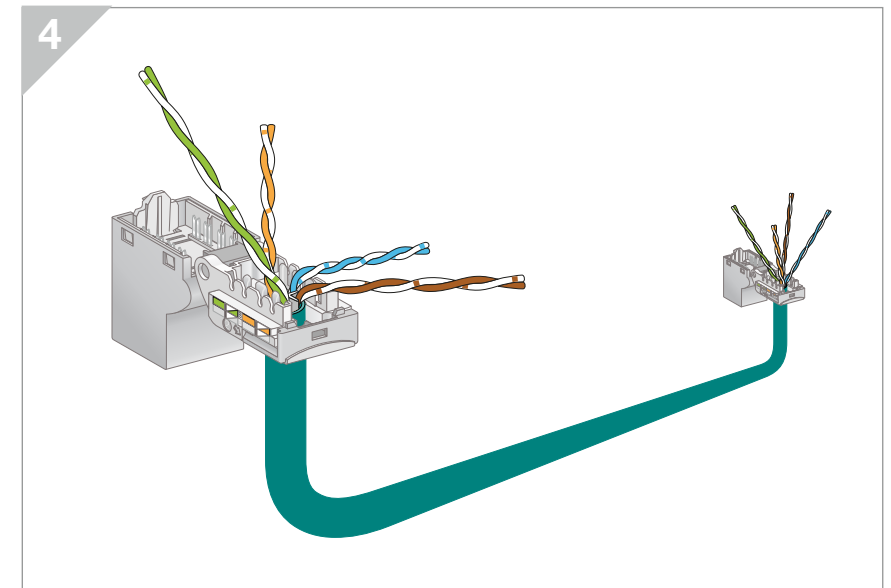
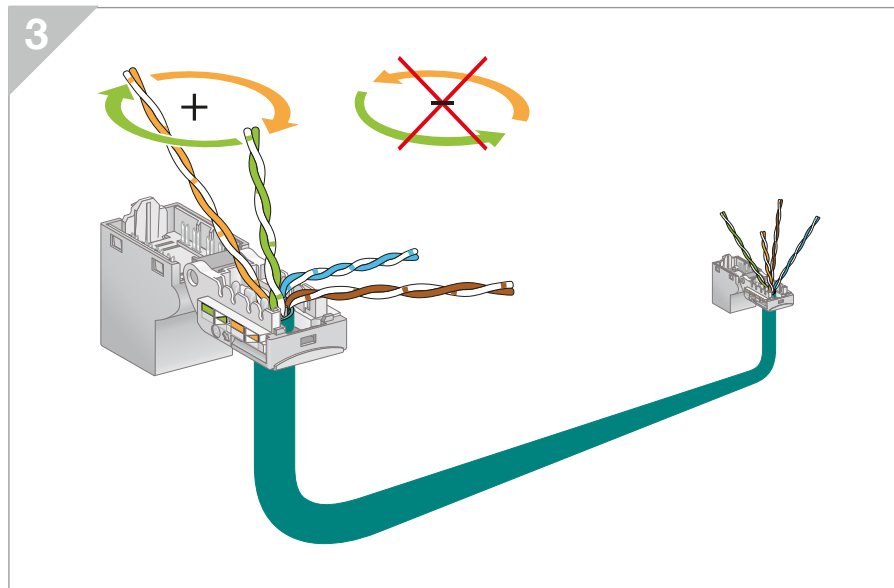
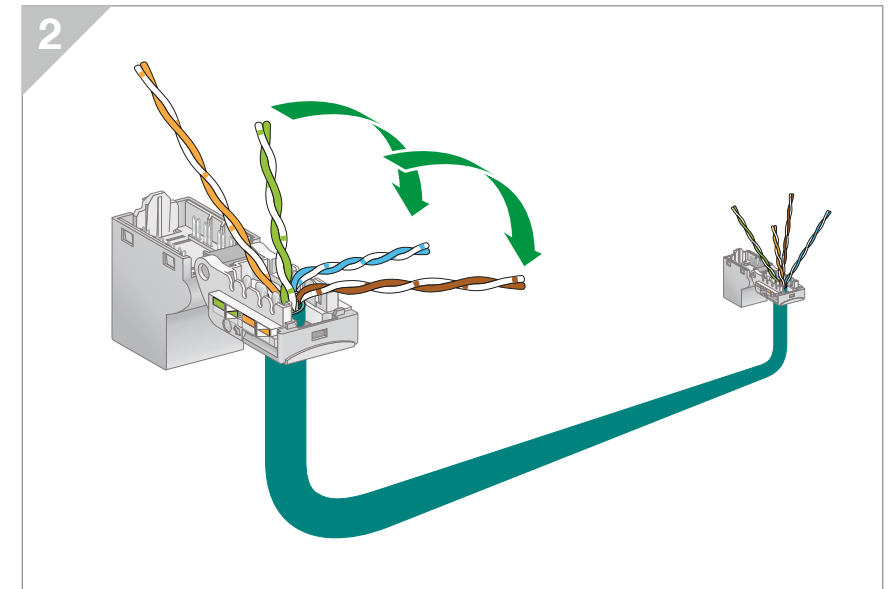
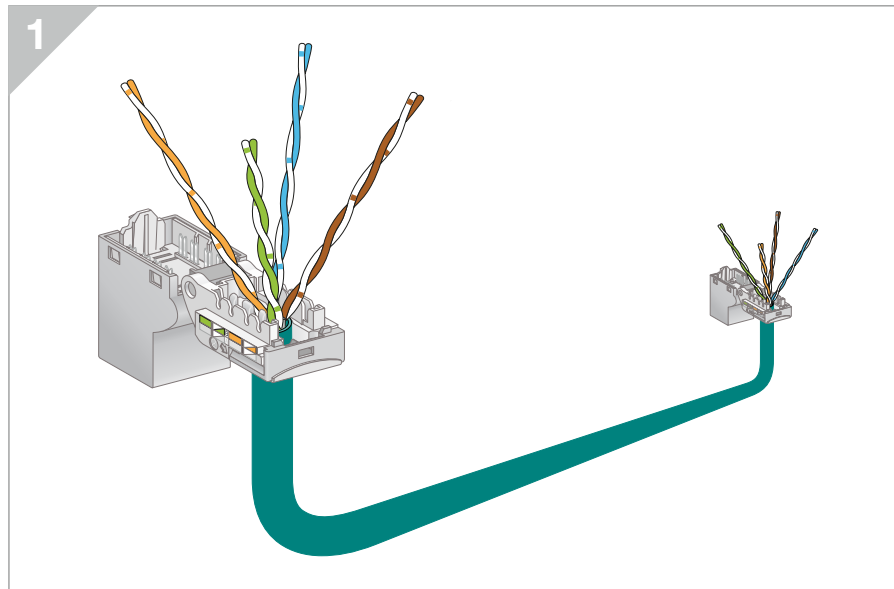
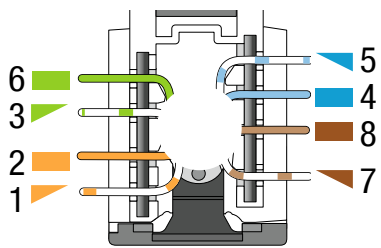


## Pairs crossing

### U/UTP

How to prepare a U/UTP cable acc. to T568B wiring code to reach high performance

EIA-TIA 568B (100Ω)

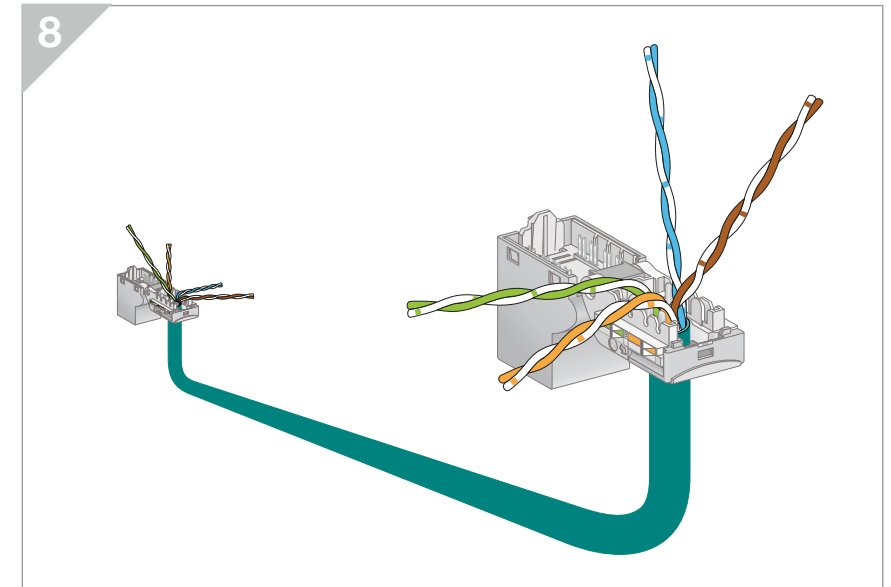
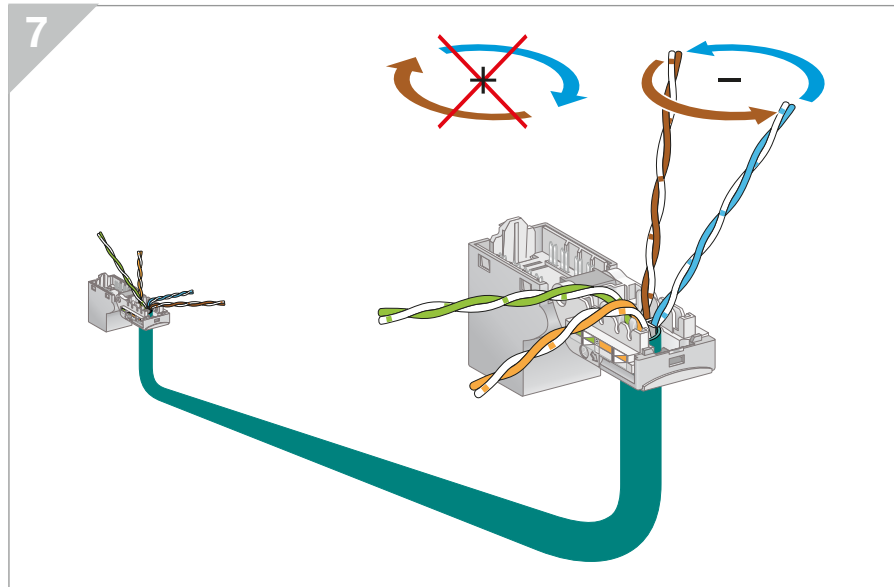
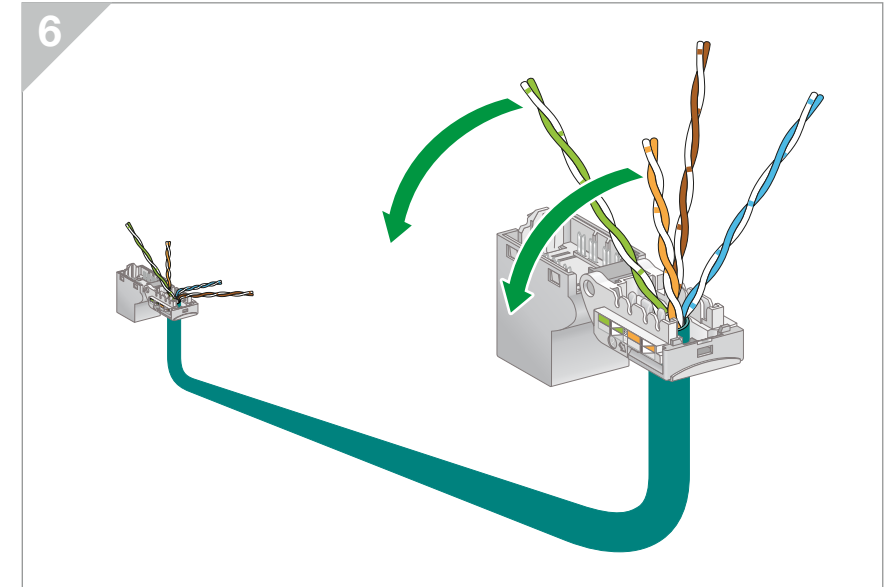
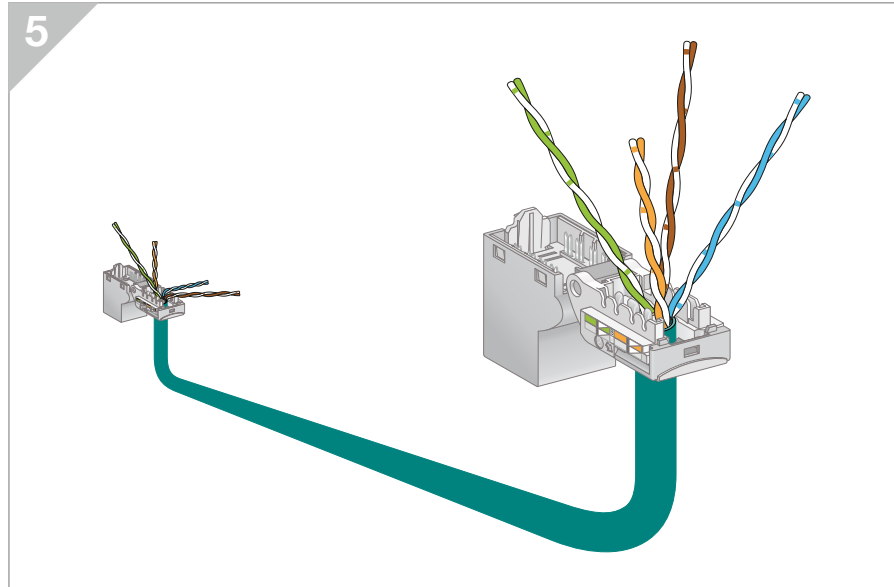
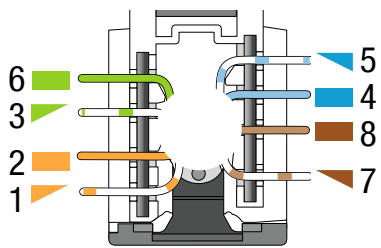


## Pairs crossing

### U/UTP

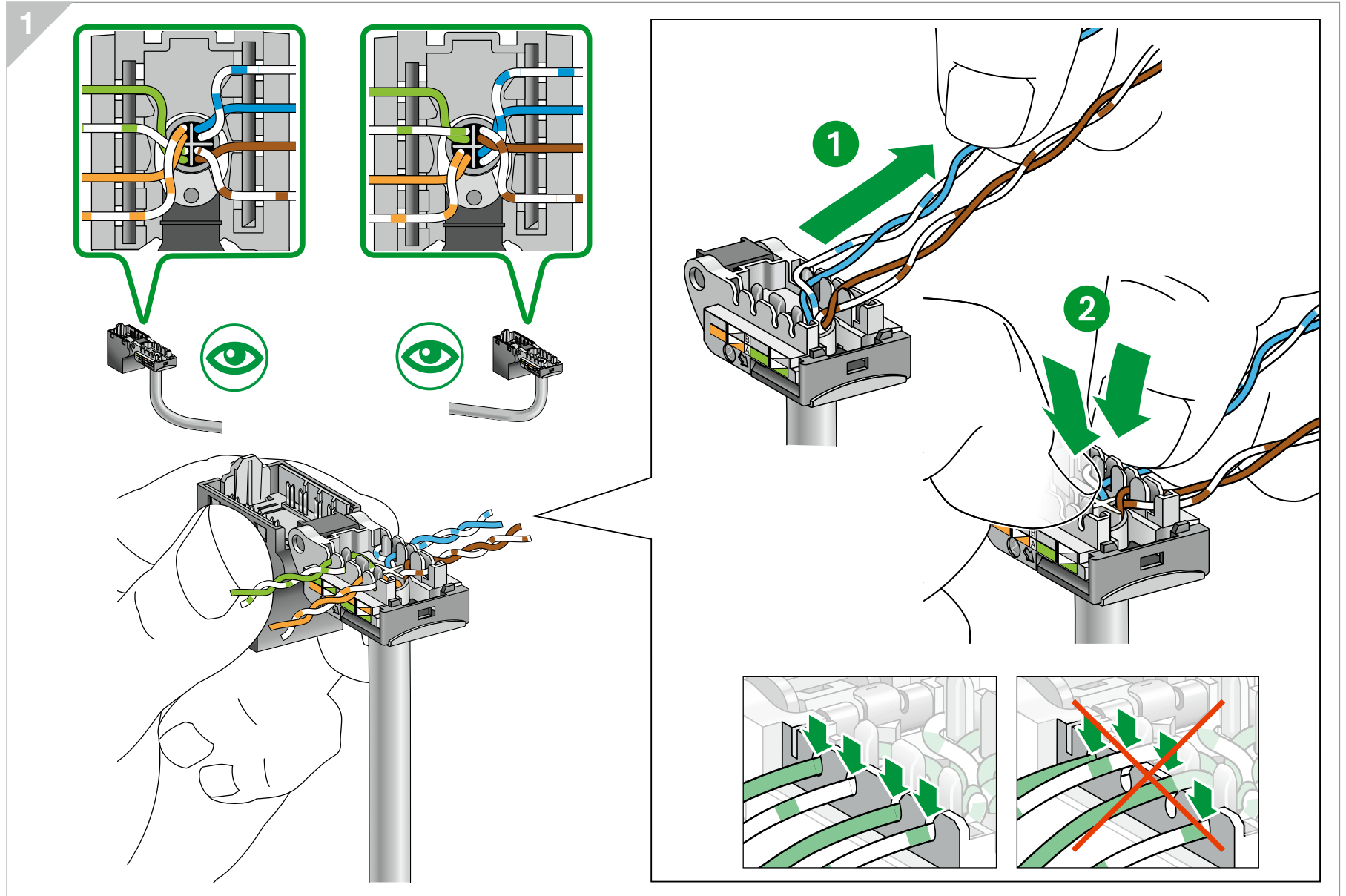
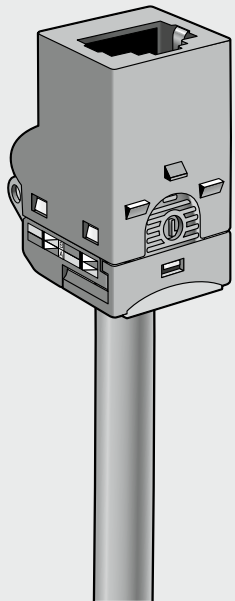
How to prepare a U/UTP cable acc. to T568B wiring code to reach high performance

EIA-TIA 568B (100Ω)



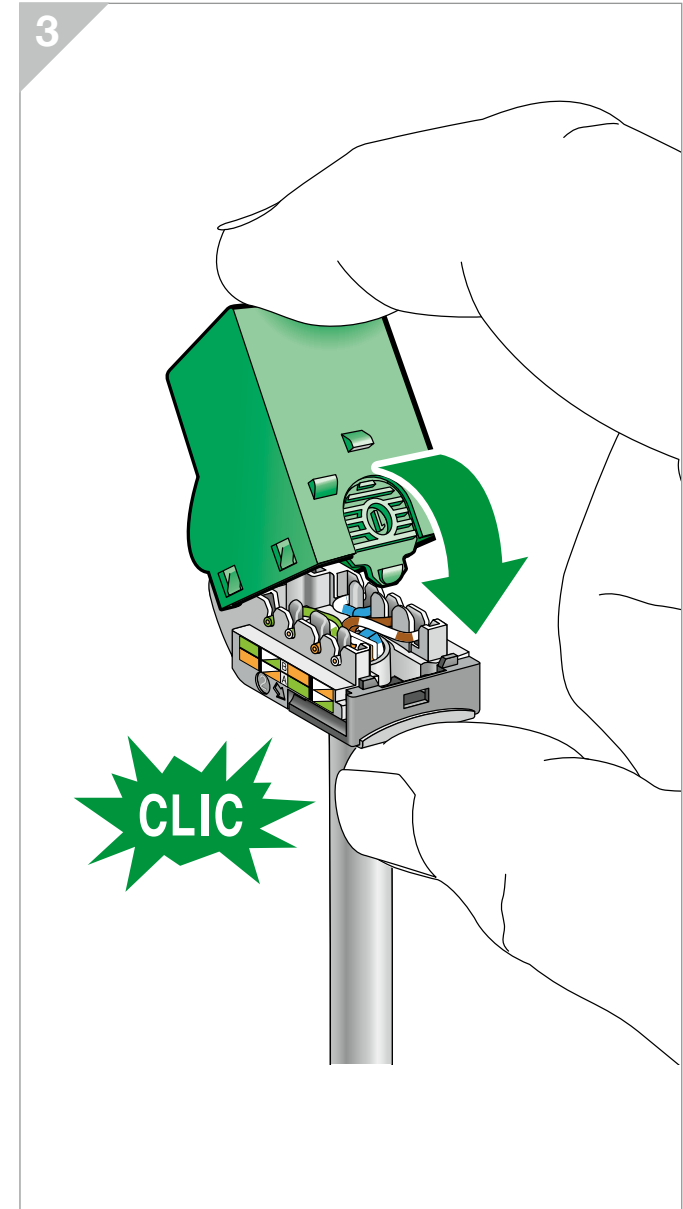
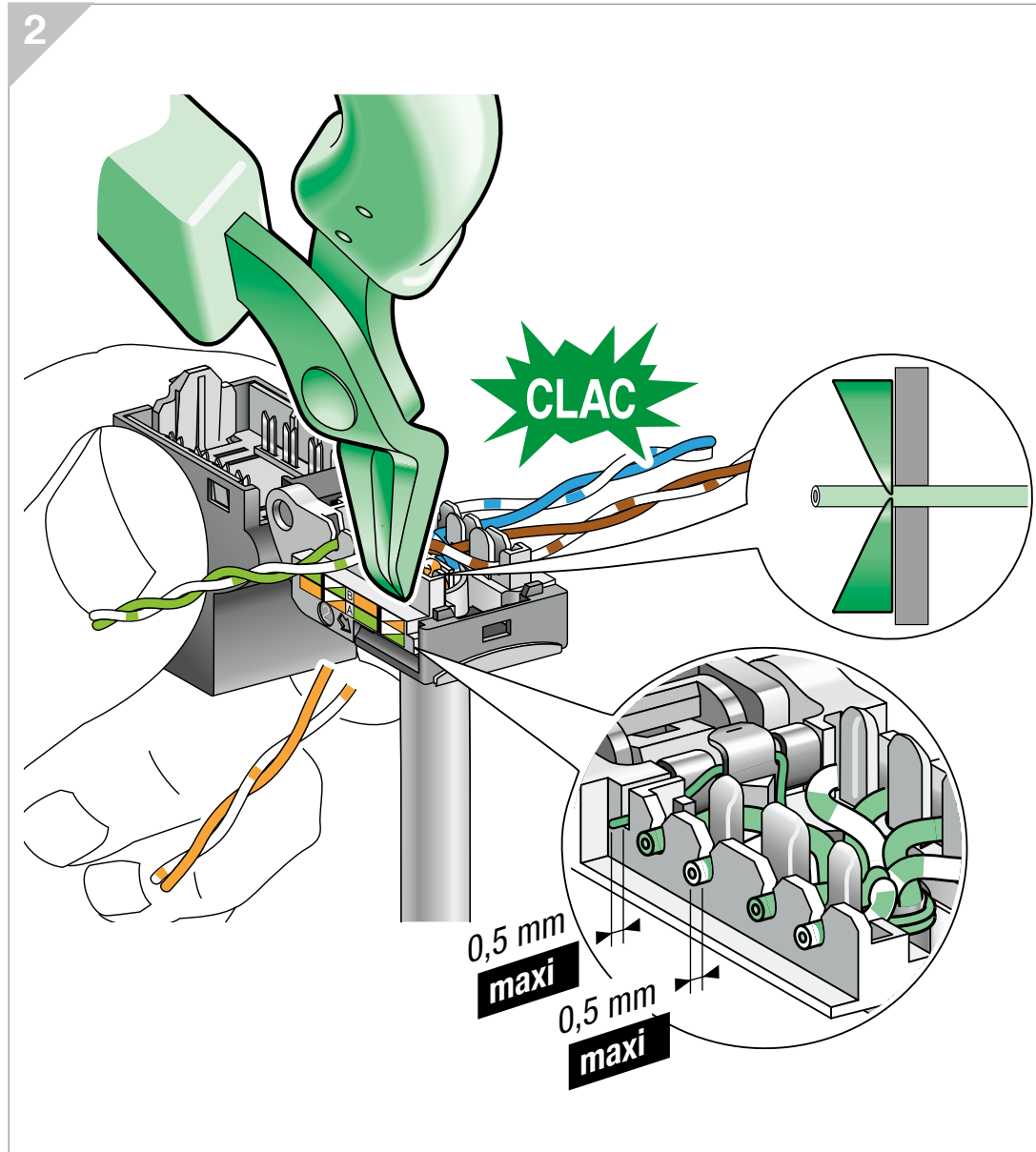
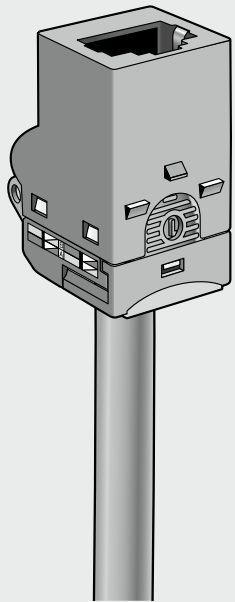
# Connector connection

U/UTP



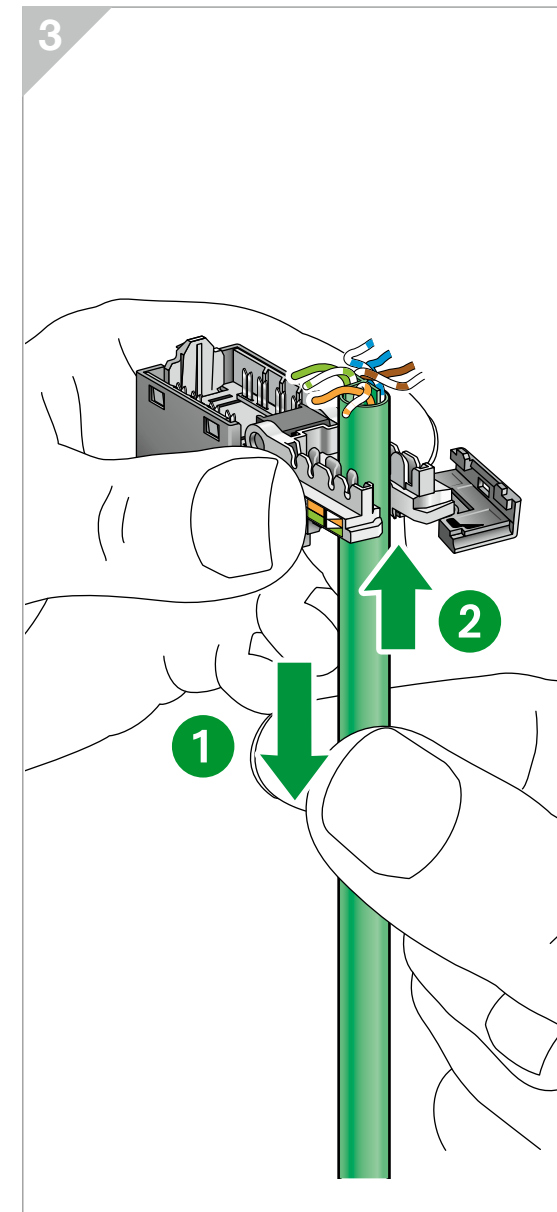
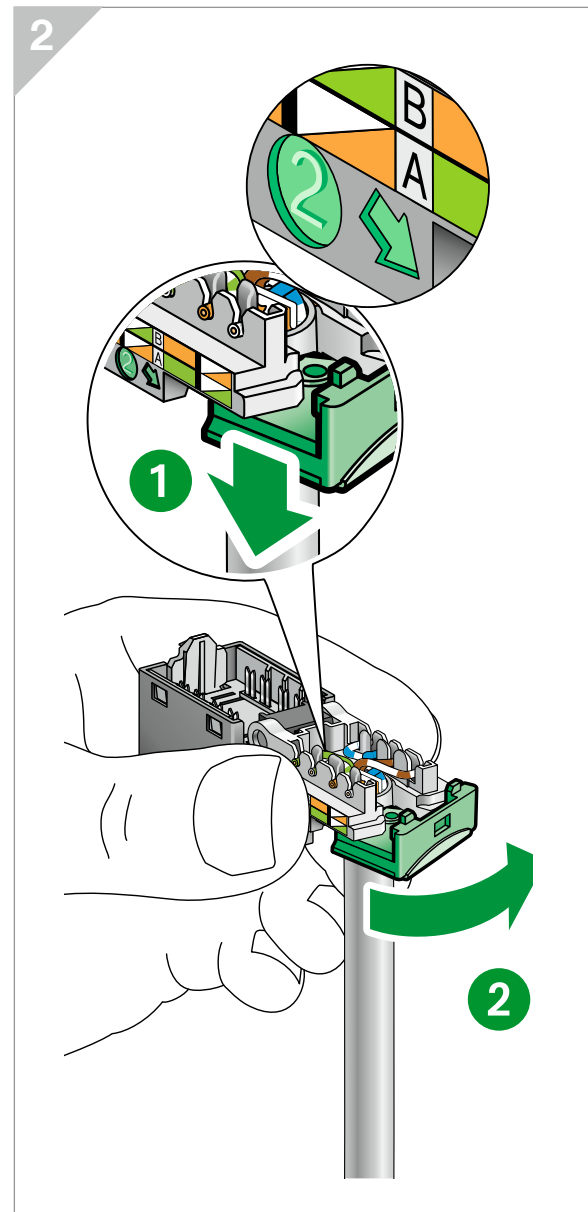
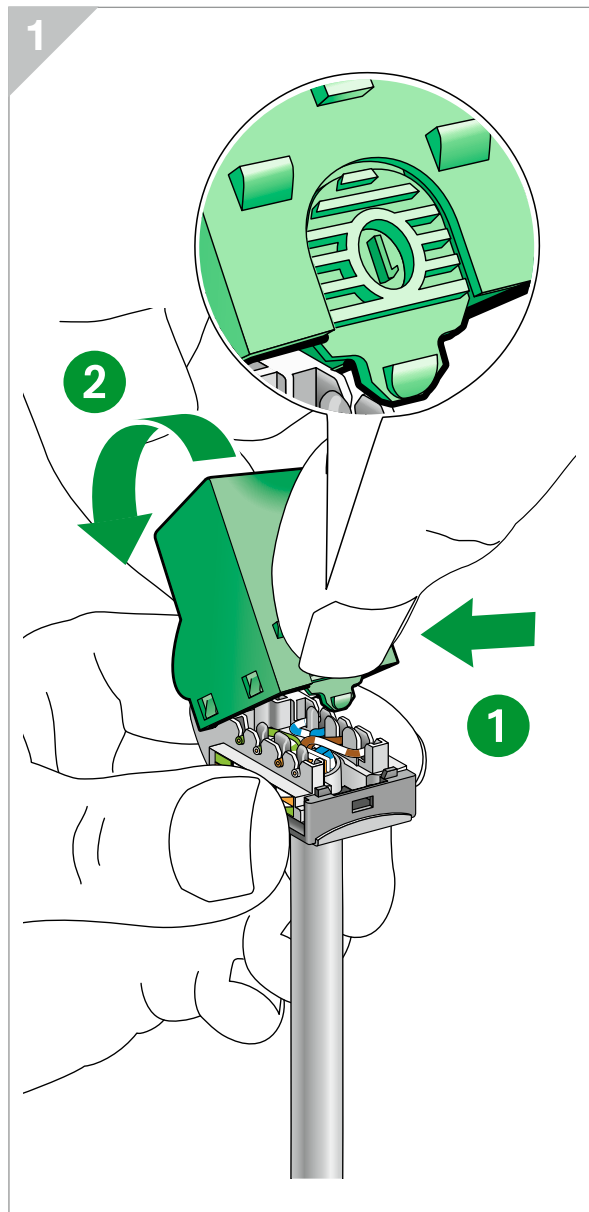
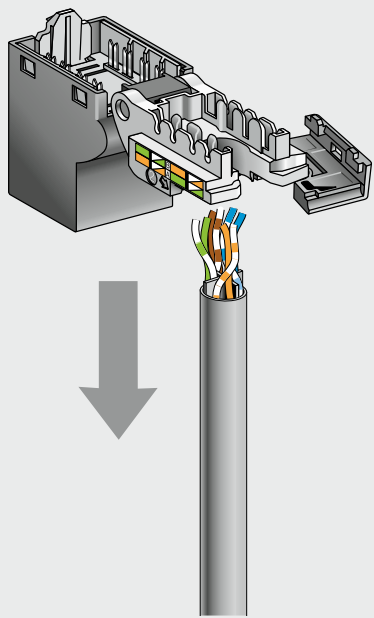
## Connector connection

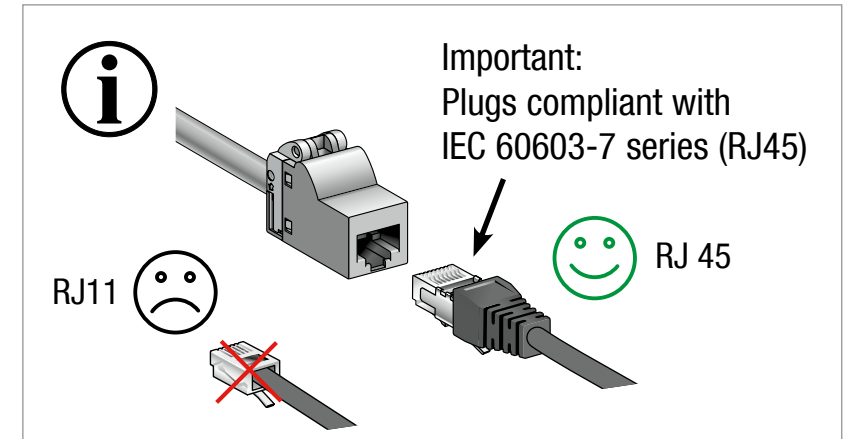
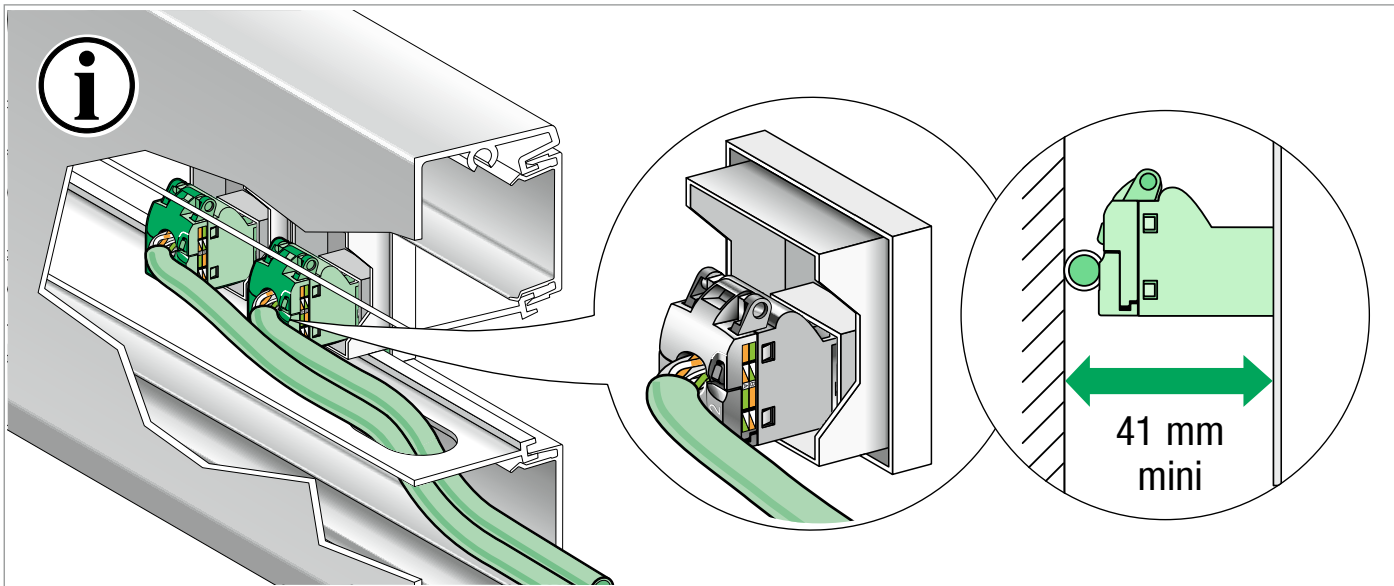
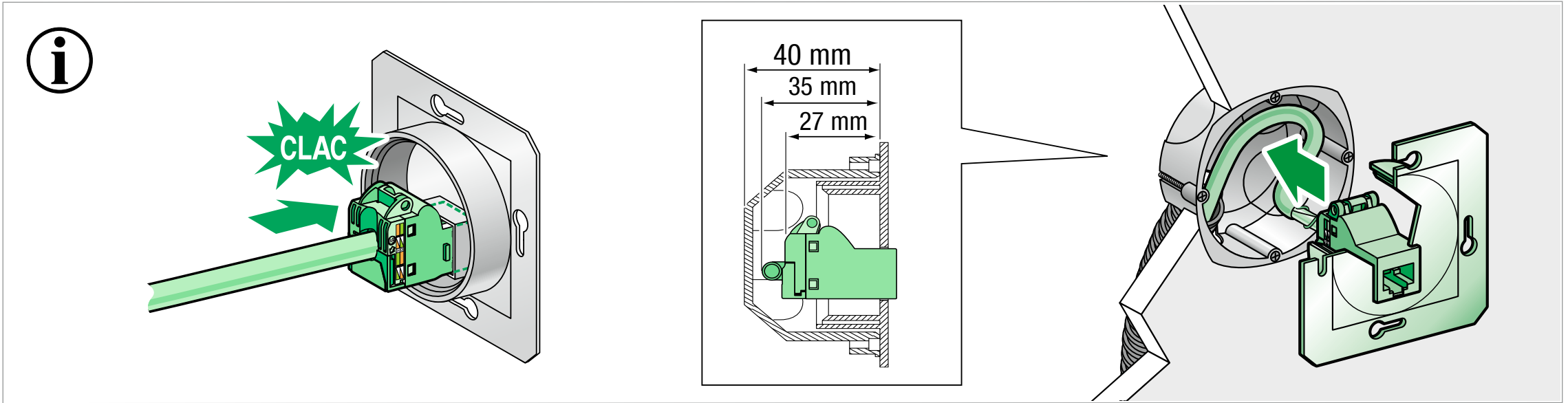
U/UTP



## Connector disconnection

U/UTP



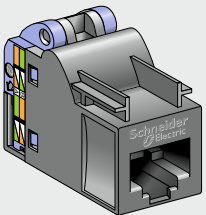




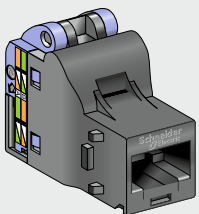
## Composition

### Unshielded connector

S-One

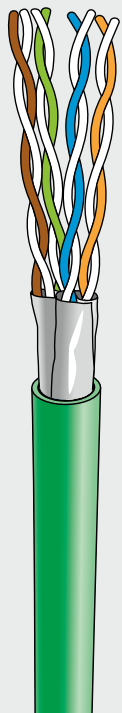


S-One DPM



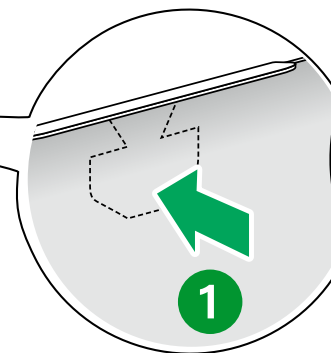
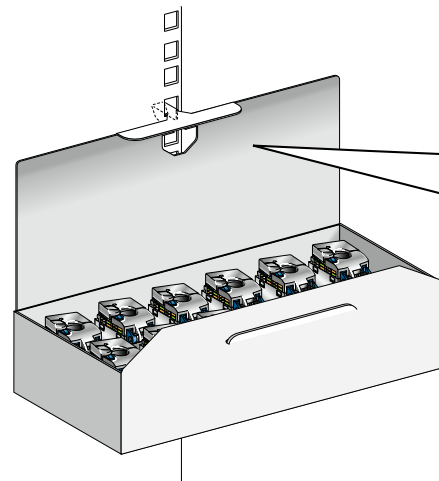
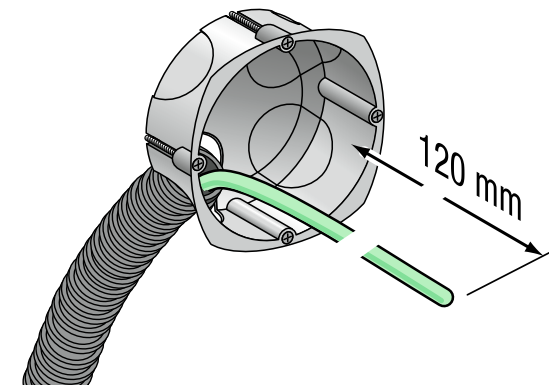
### U/UTP

Cat 6A  
< 7.5 mm



VDIR580020

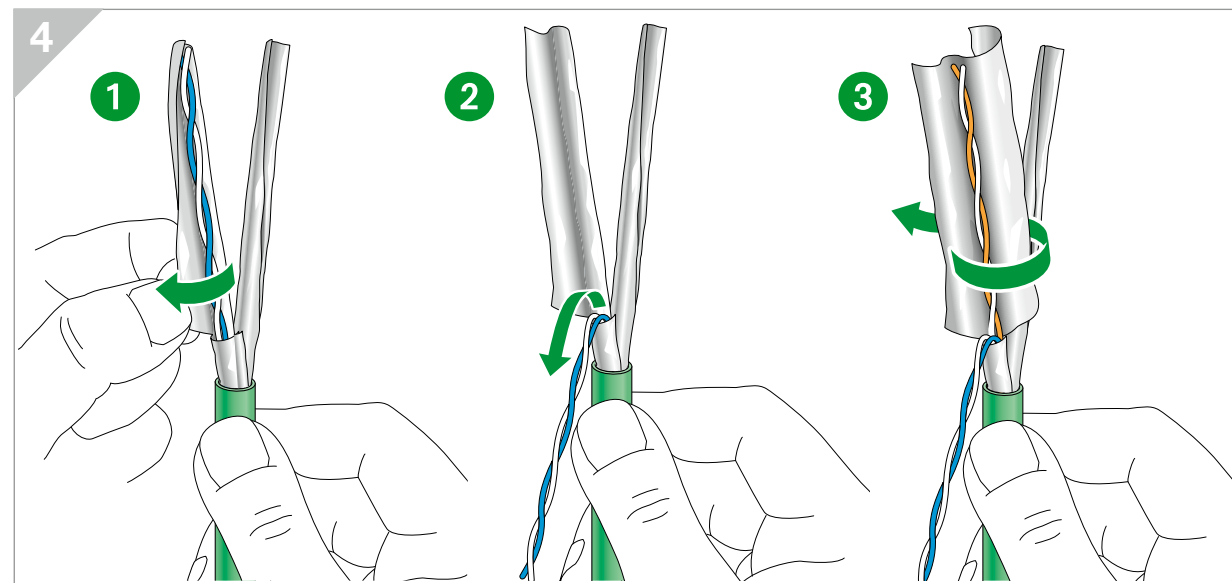
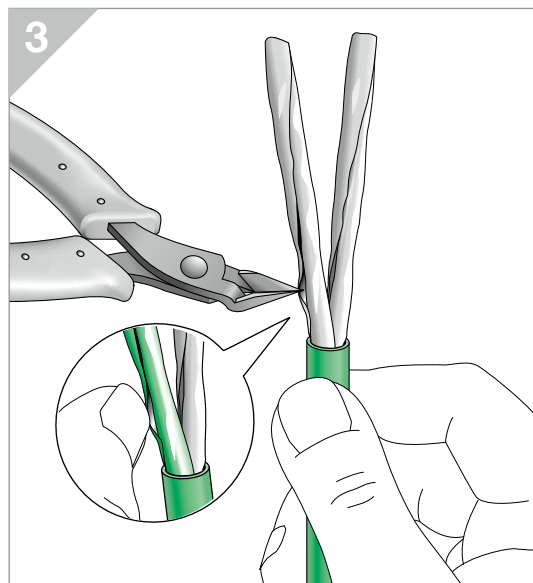
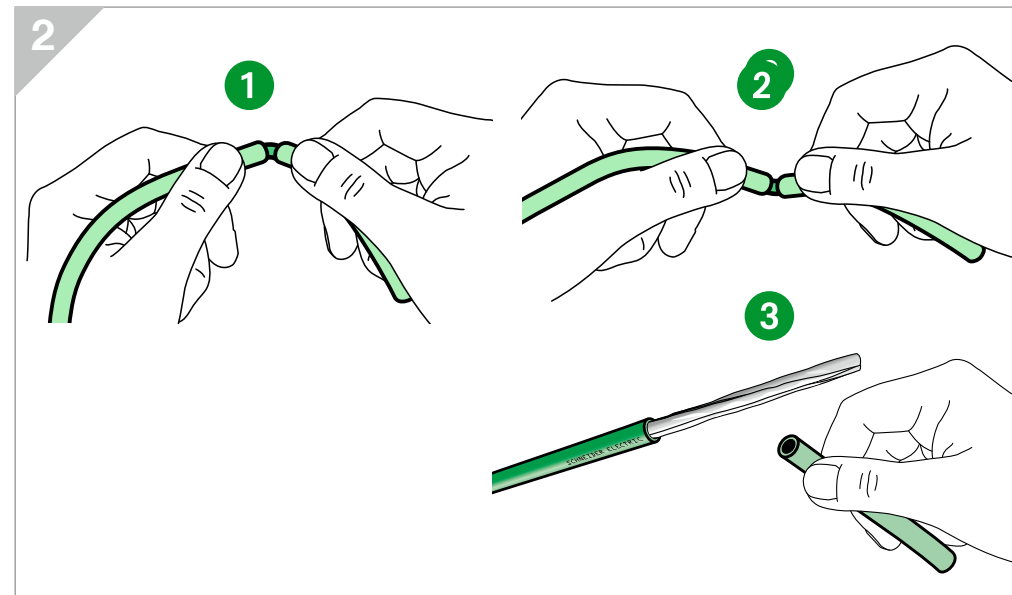
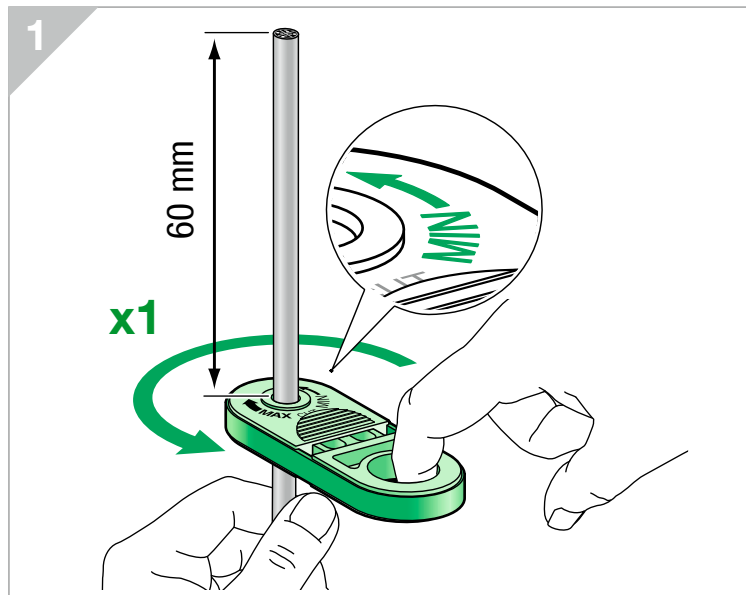
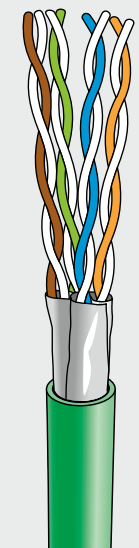
x1



# Cable preparation

U/UTP

Cat 6A

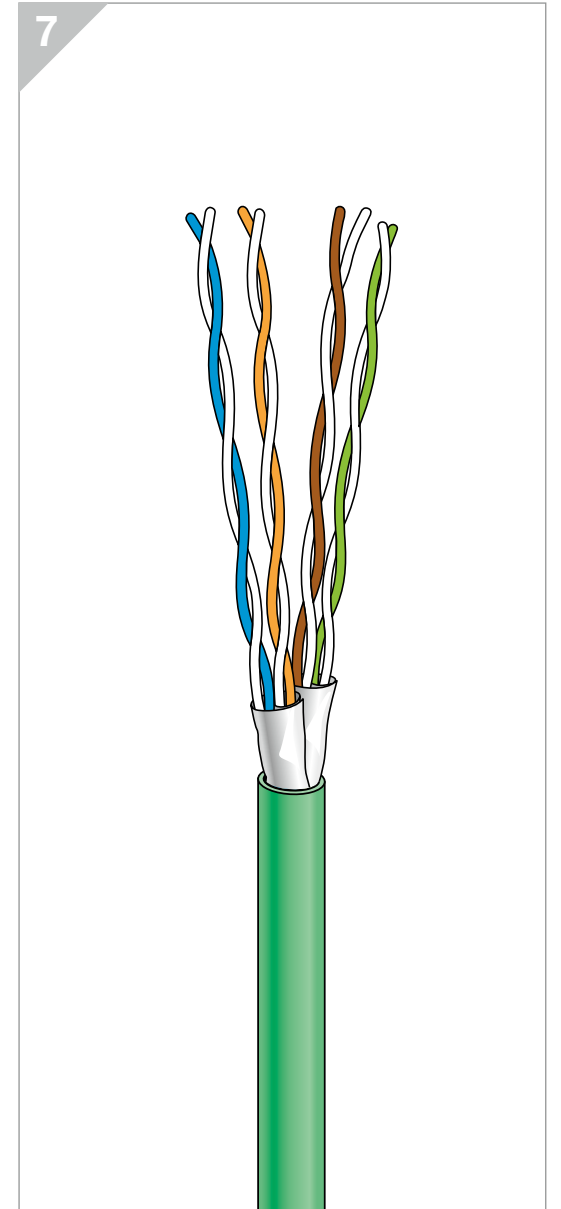
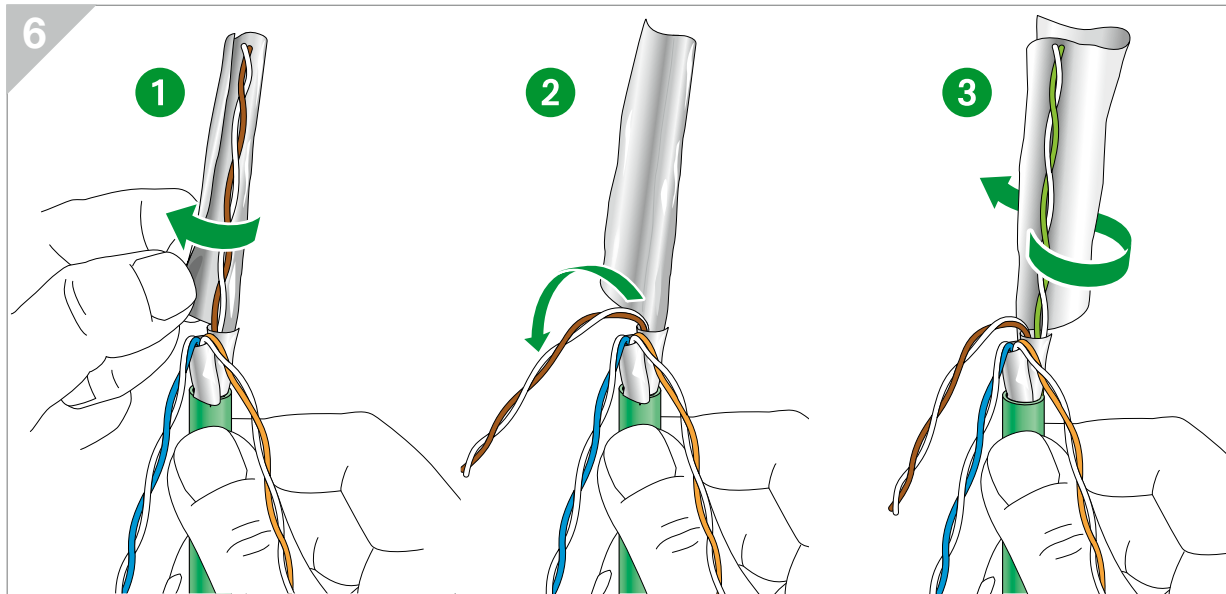
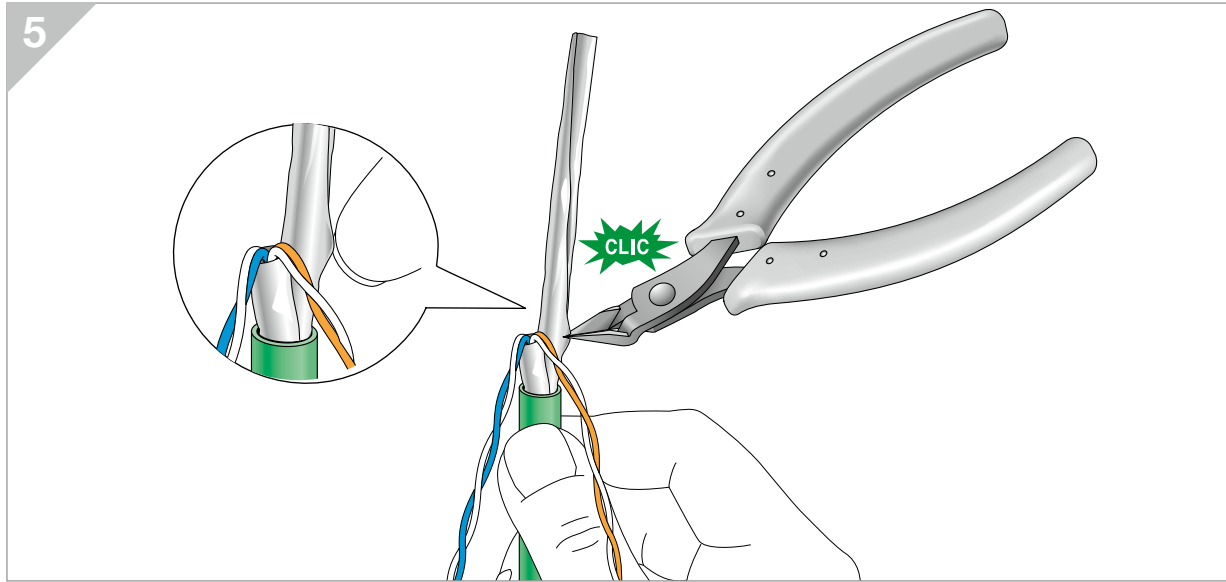
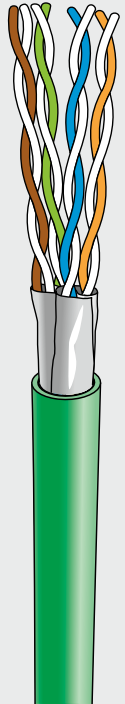




## Cable preparation

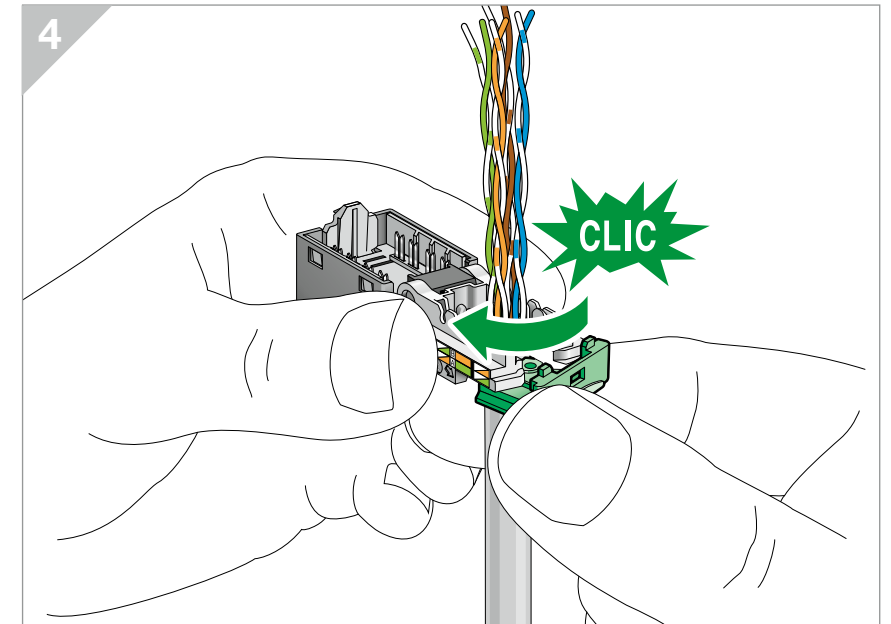
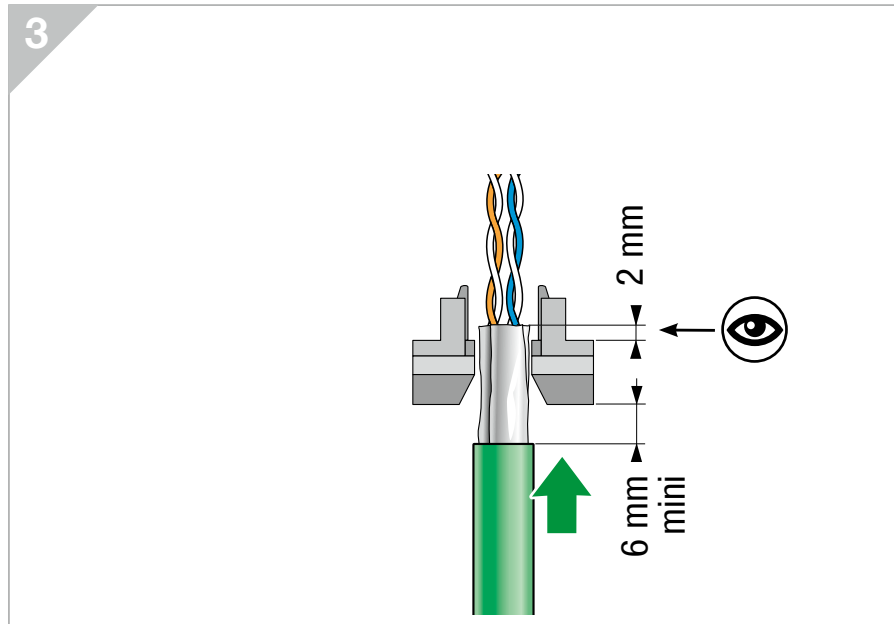
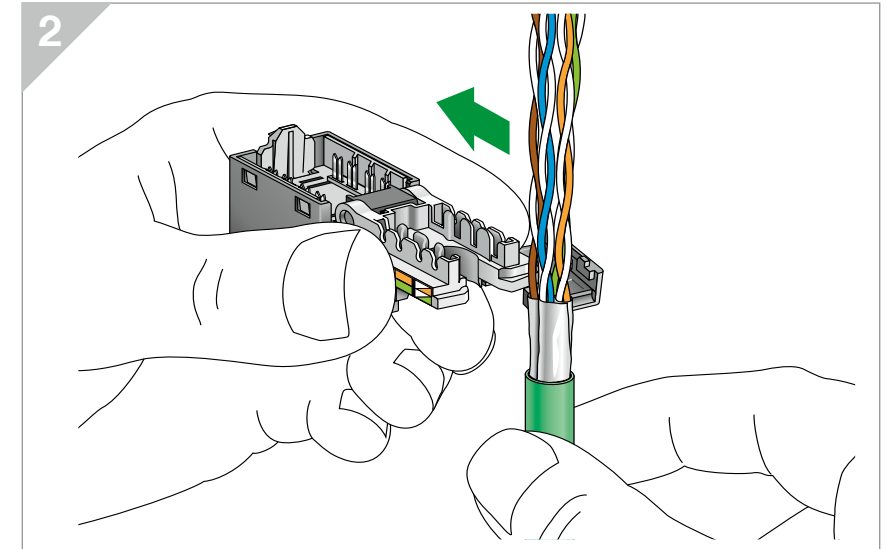
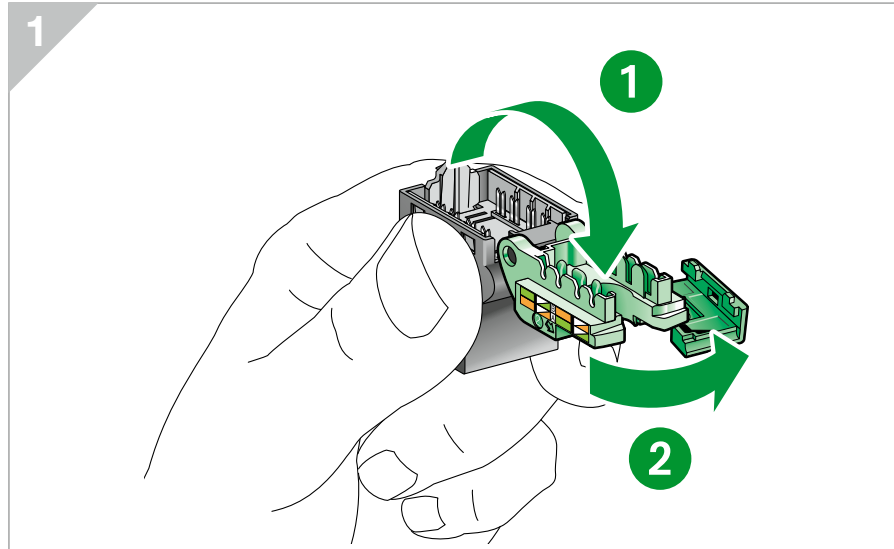
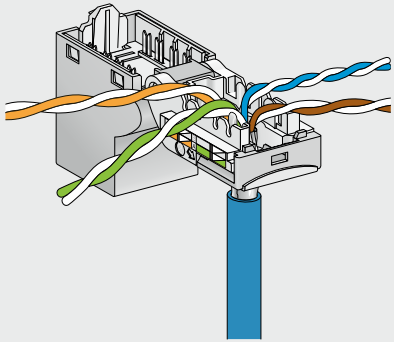
U/UTP

Cat 6A



# Connector termination

U/UTP

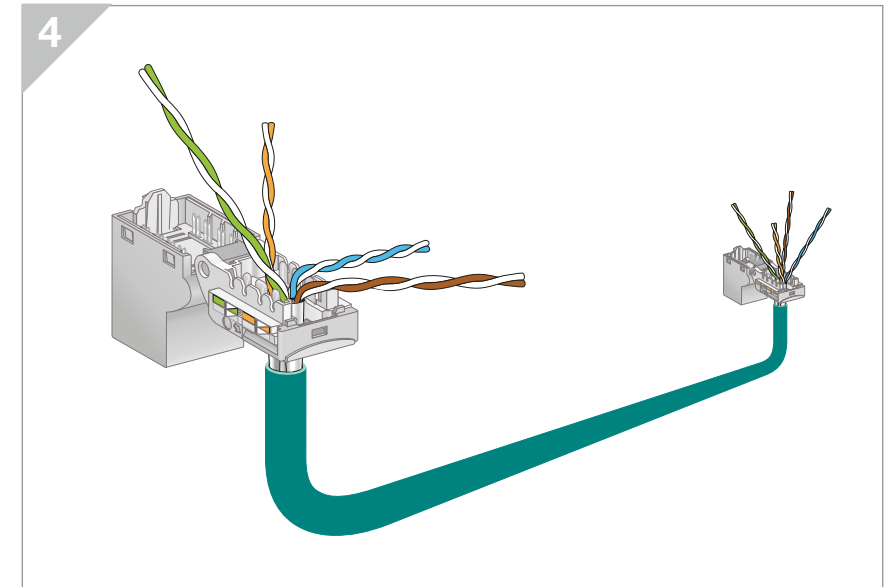
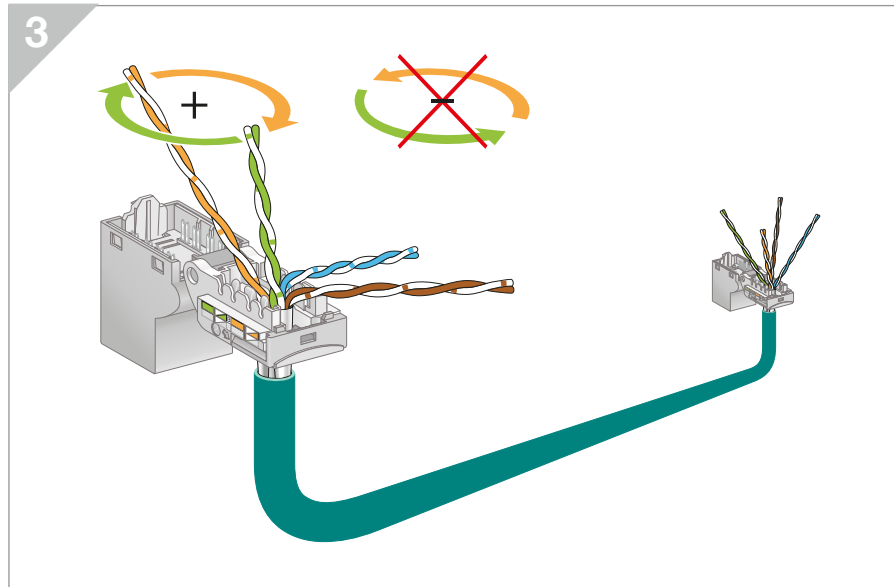
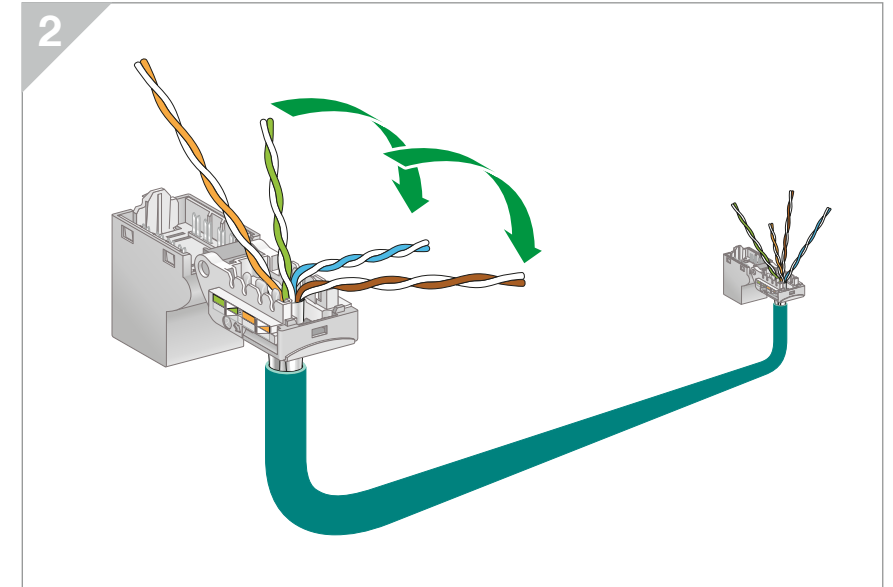
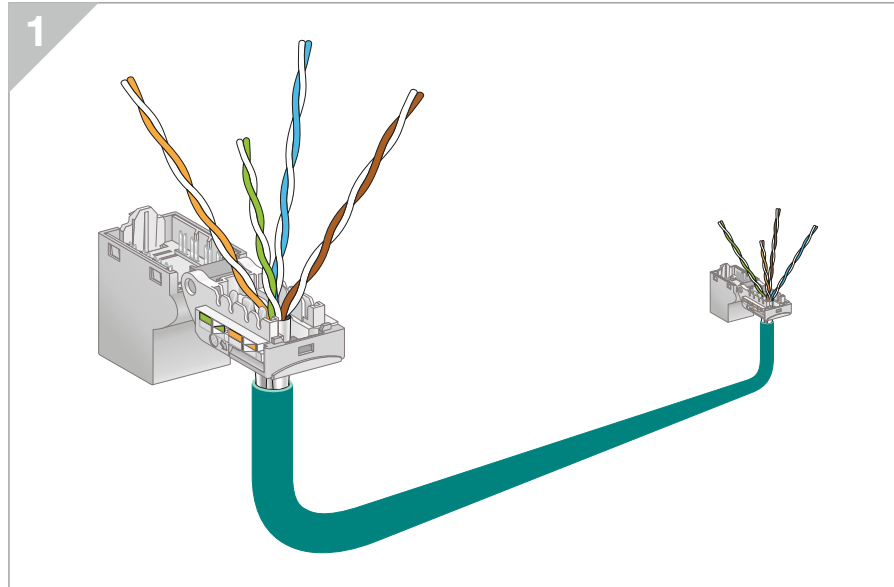
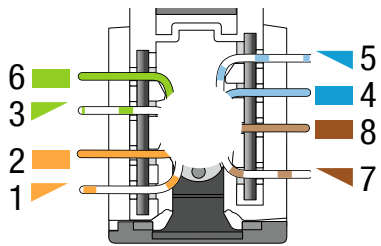


# Pairs crossing

## U/UTP

How to prepare a U/UTP cable acc. to T568B wiring code to reach high performance

EIA-TIA 568B (100Ω)

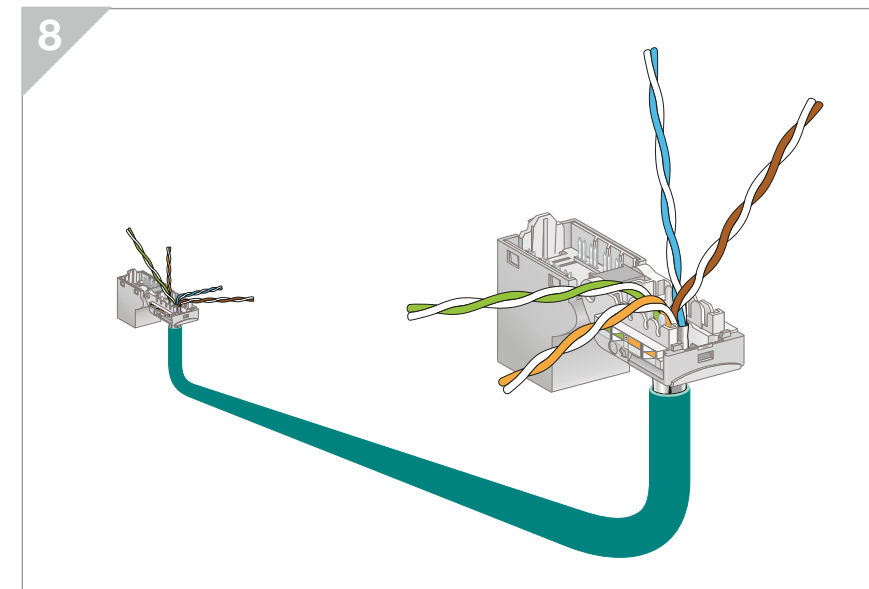
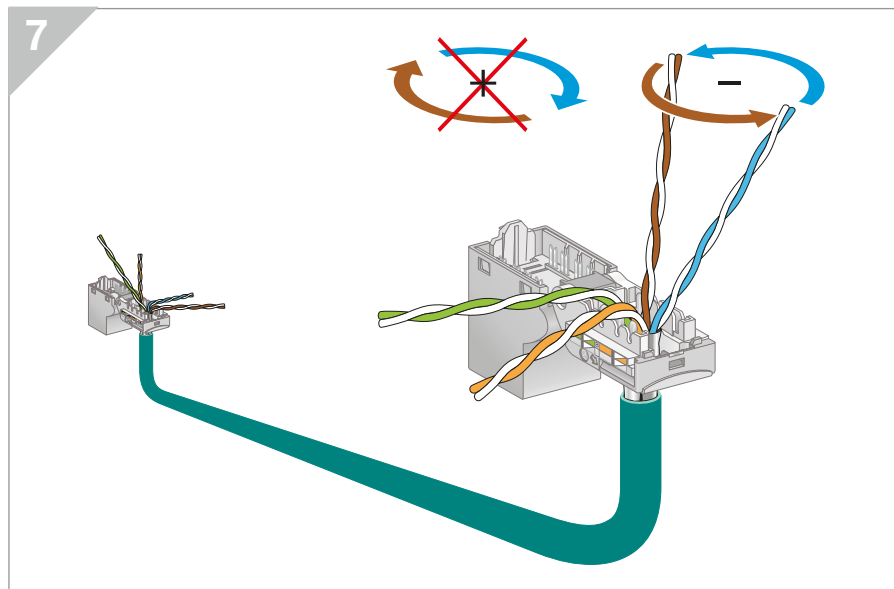
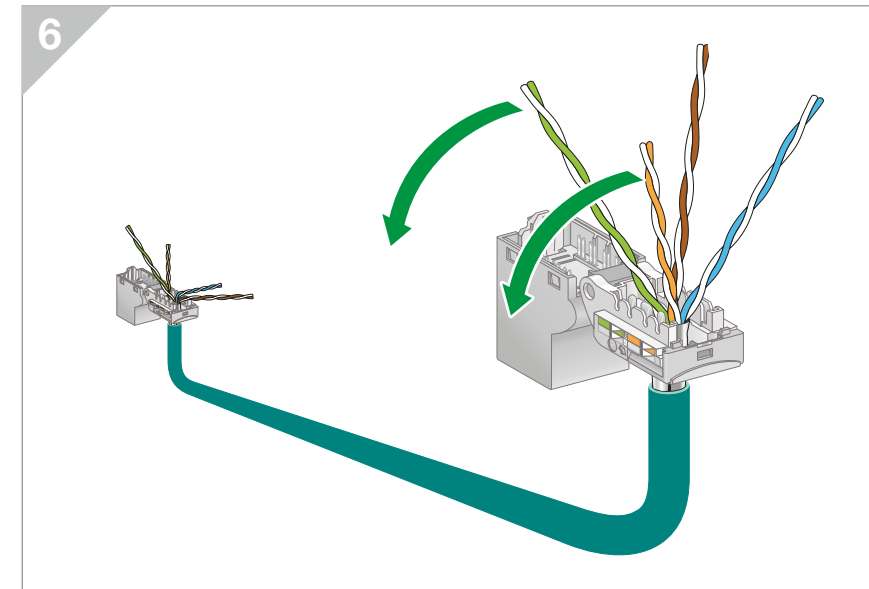
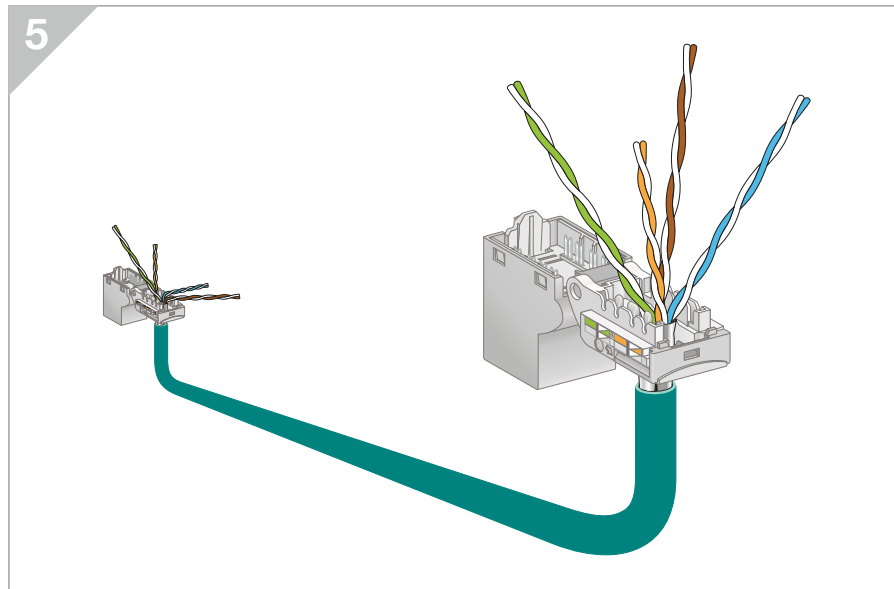
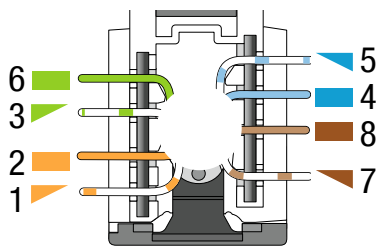


## Pairs crossing

### U/UTP

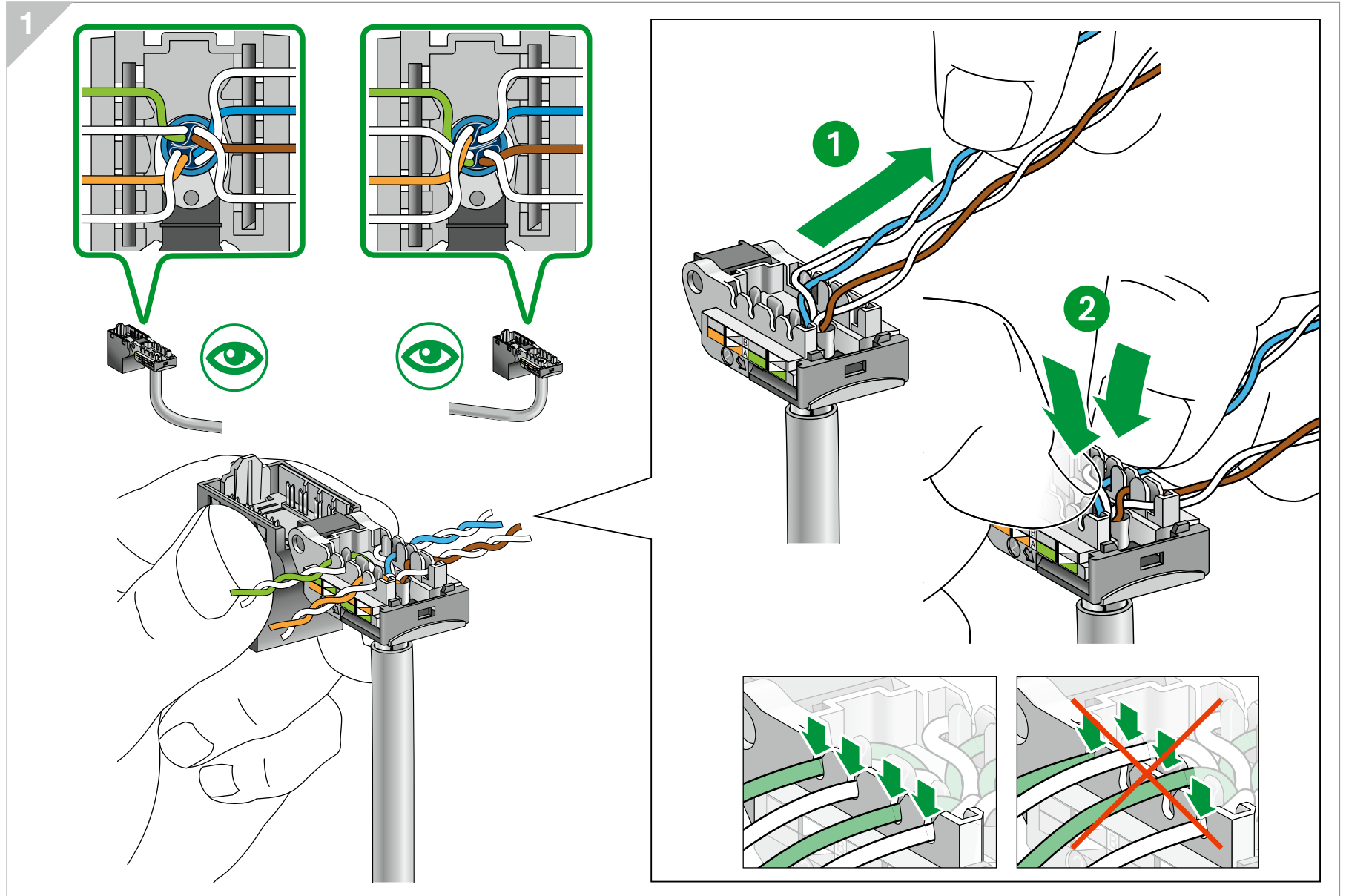
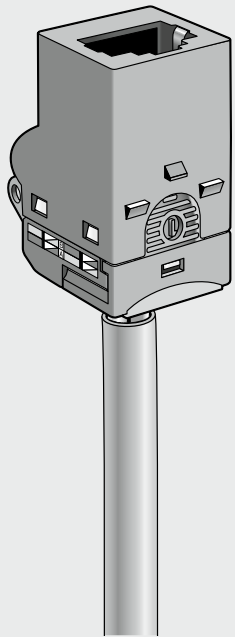
How to prepare a U/UTP cable acc. to T568B wiring code to reach high performance

EIA-TIA 568B (100Ω)



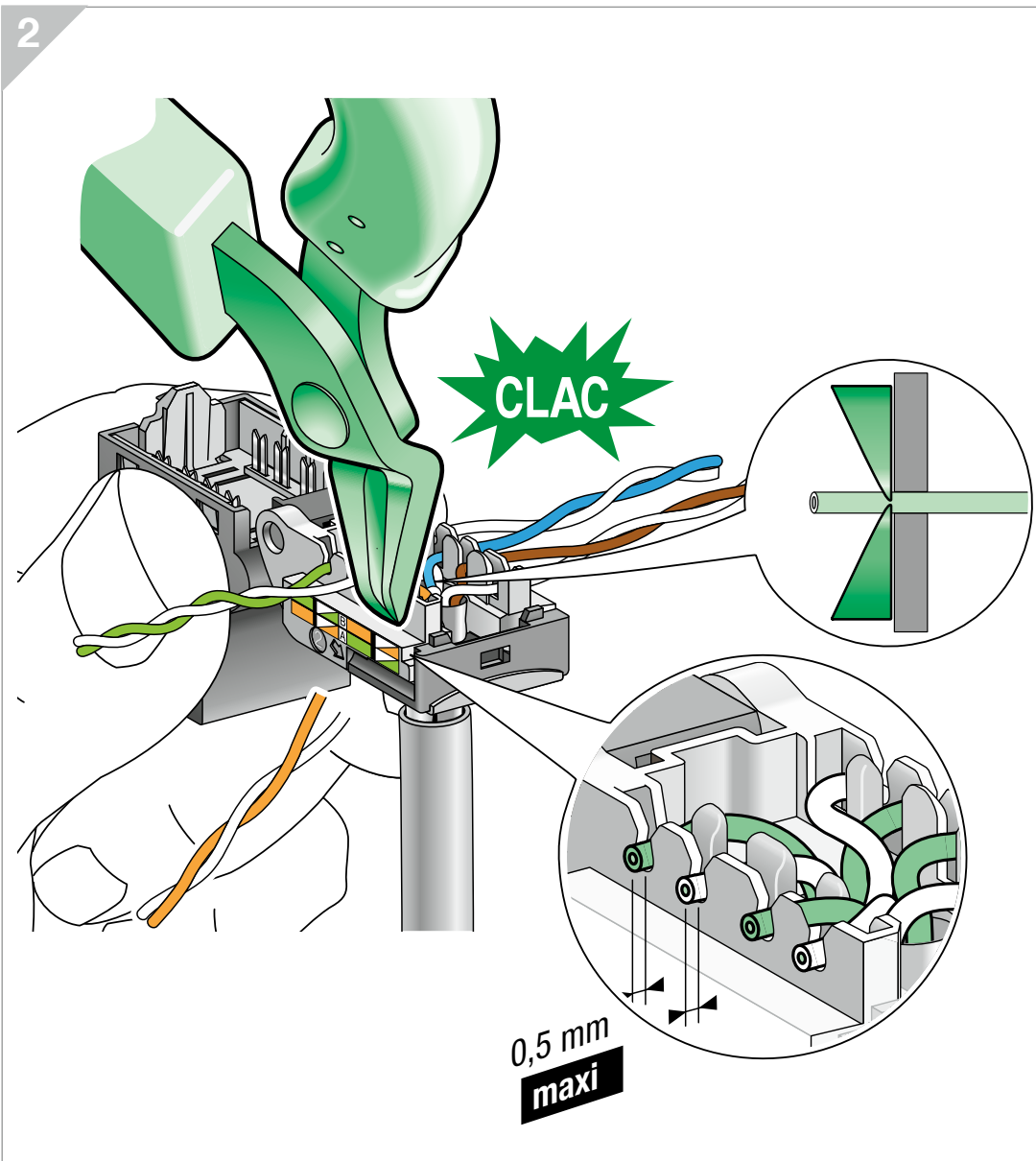
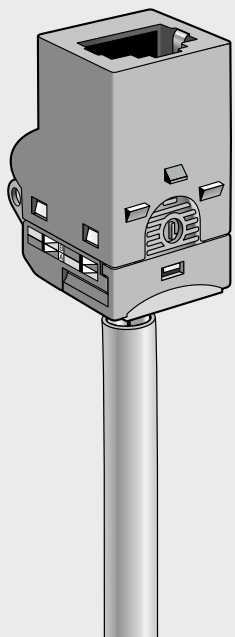
# Connector connection

U/UTP



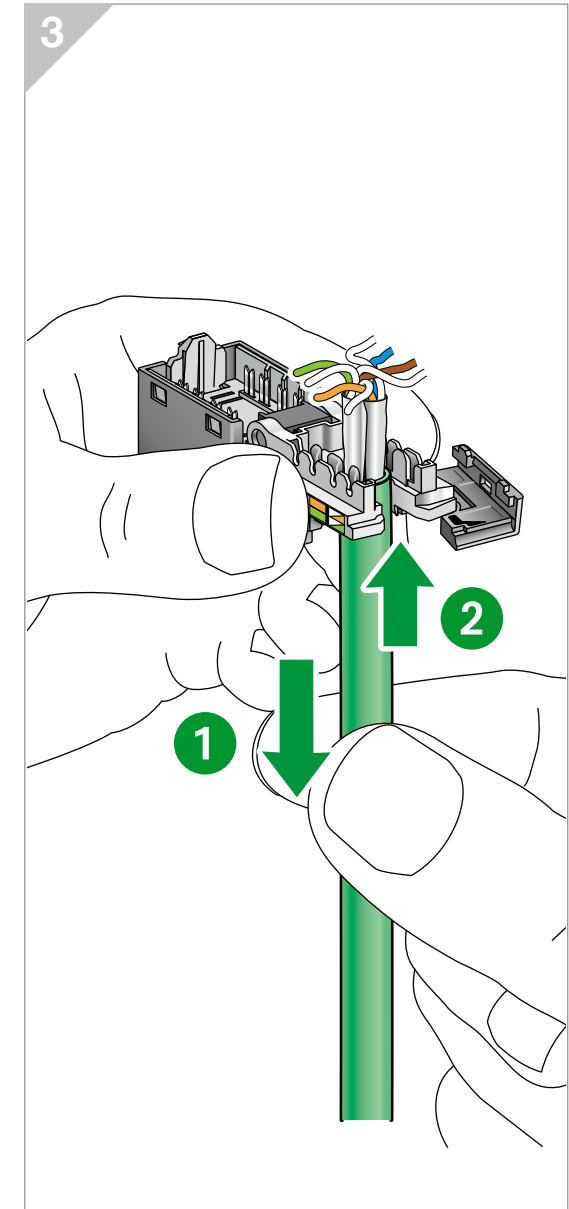
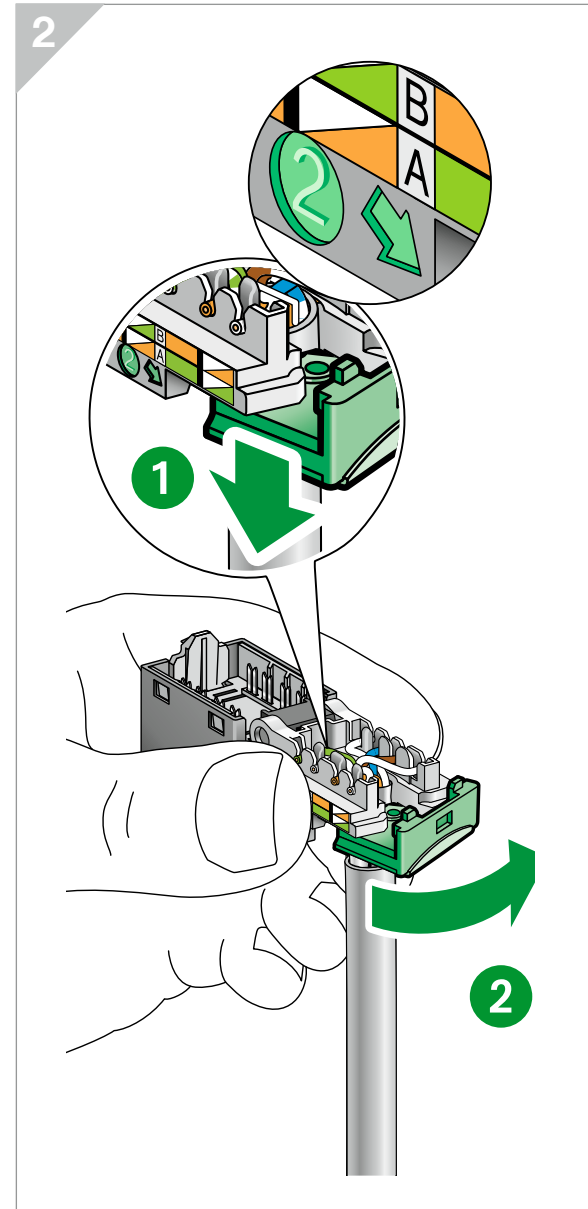
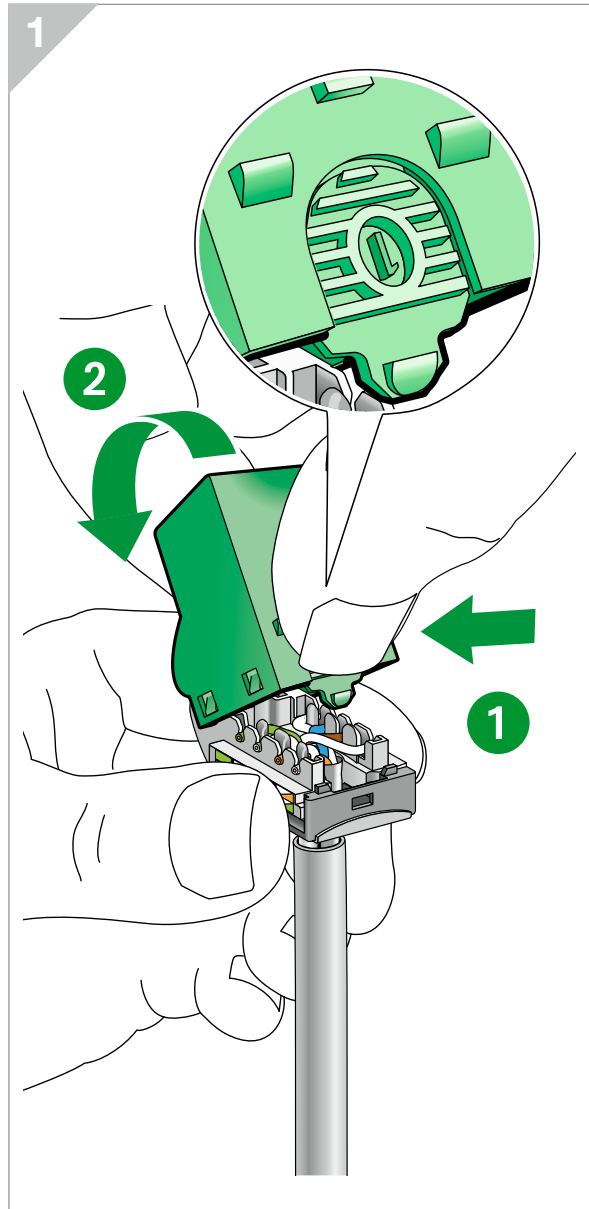
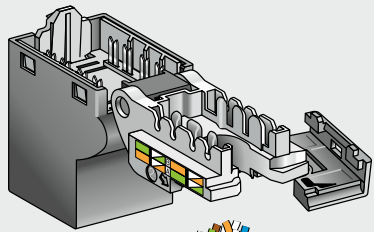
## Connector connection

U/UTP

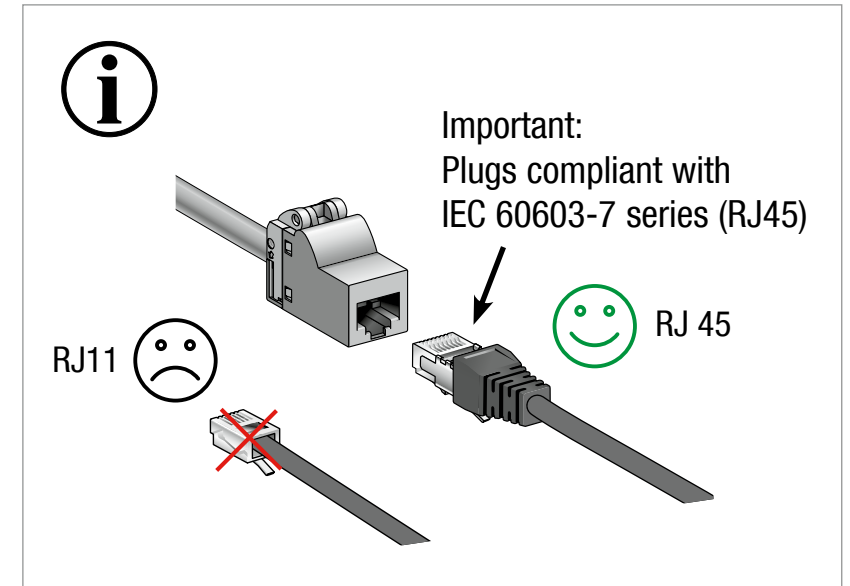
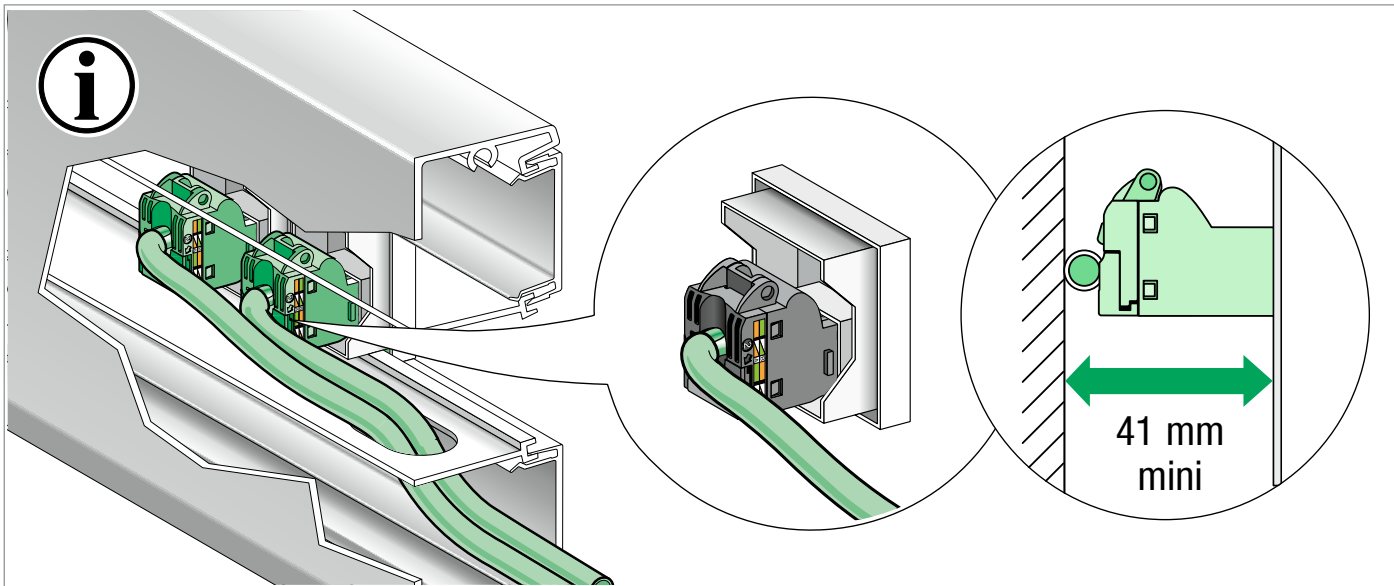
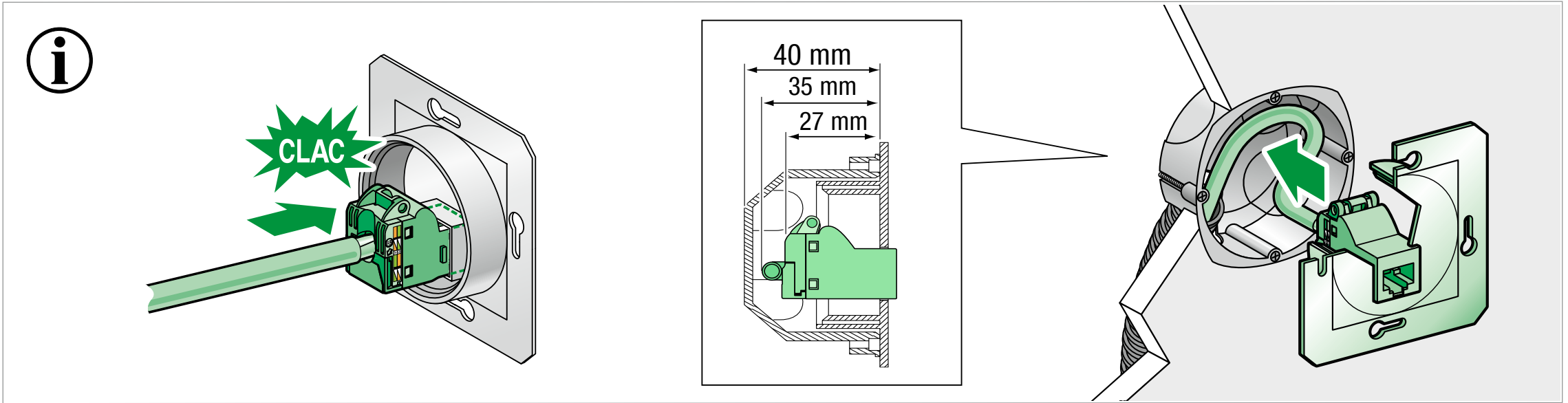


# Connector disconnection

U/UTP





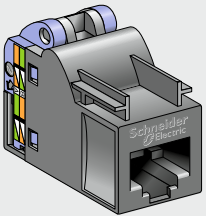




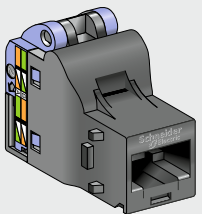
## Composition

### Unshielded connector

S-One

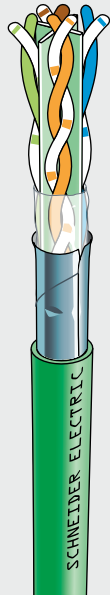


S-One DPM



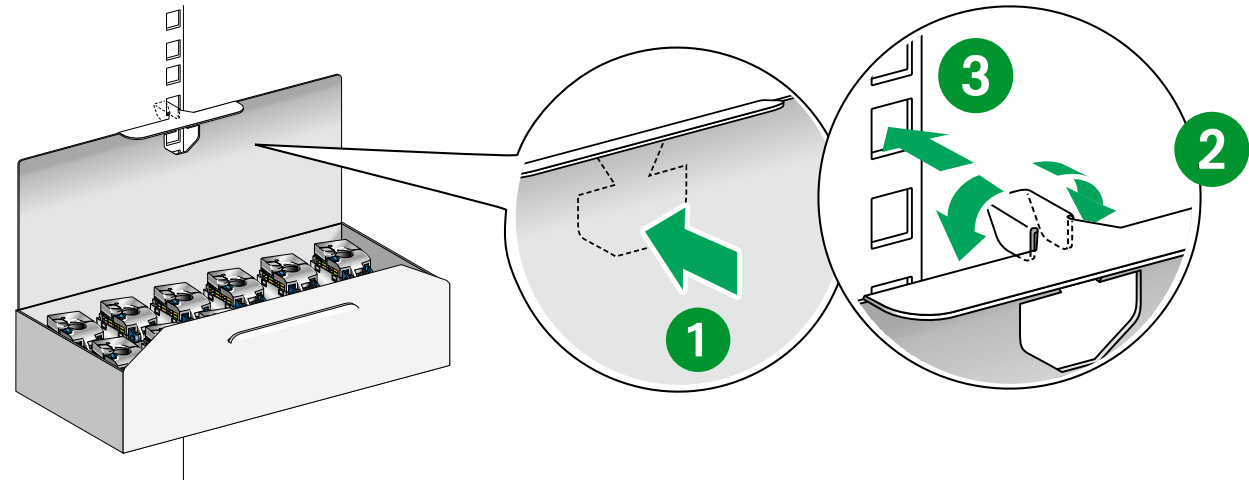
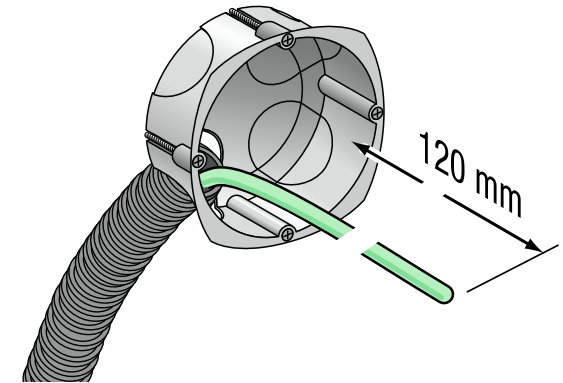
### U/UTP

Cat 6A  
> 7.5 mm



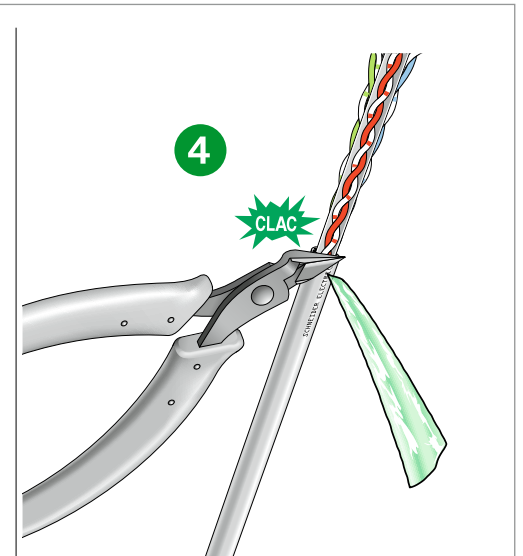
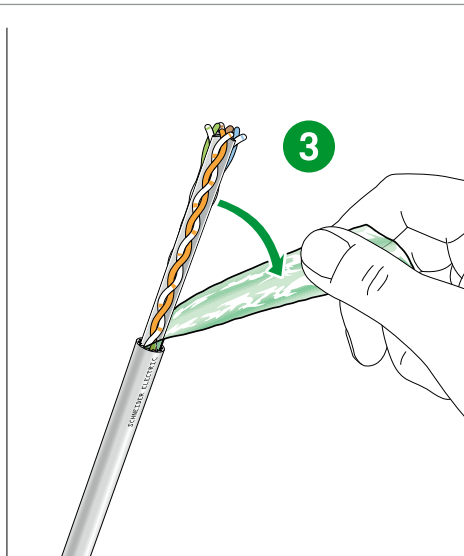
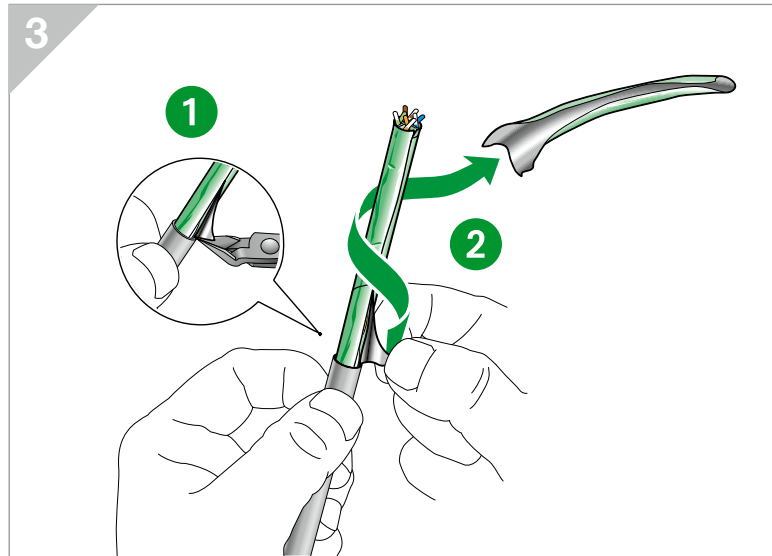
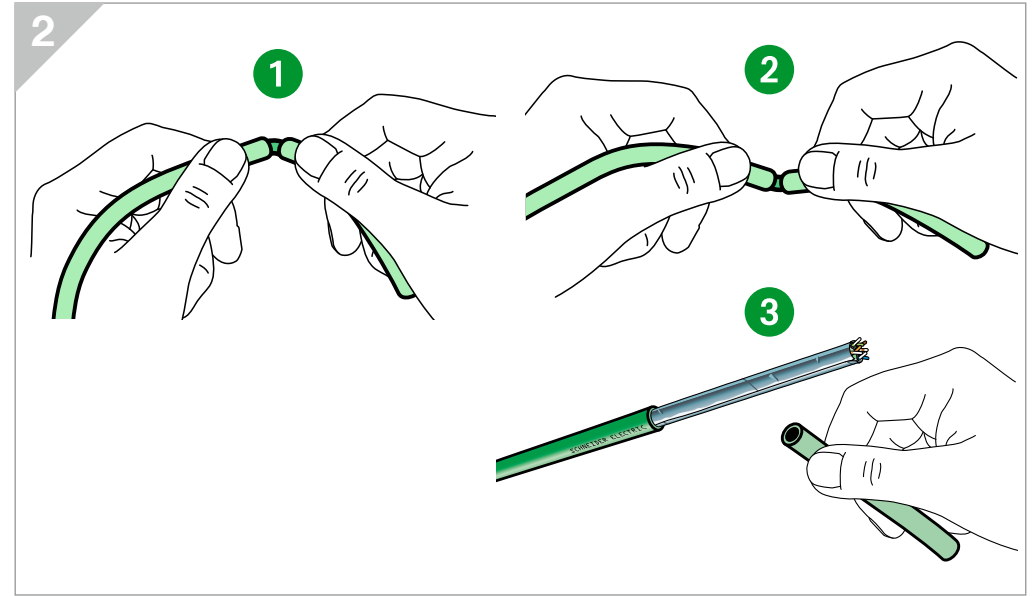
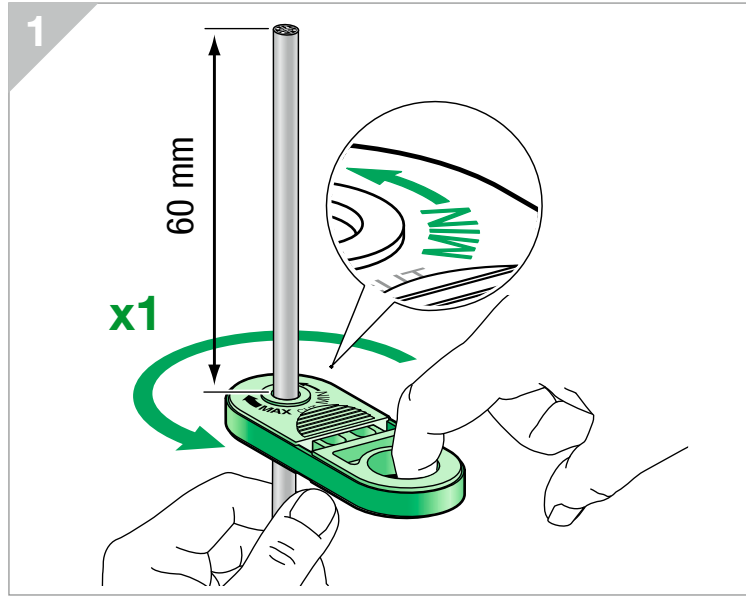
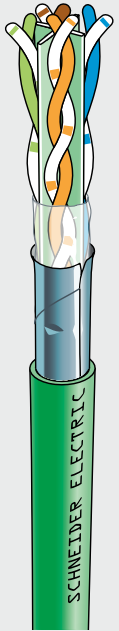
VDIR580020

x1



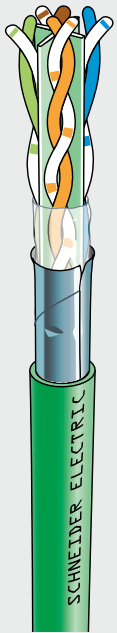
# Cable preparation

U/UTP

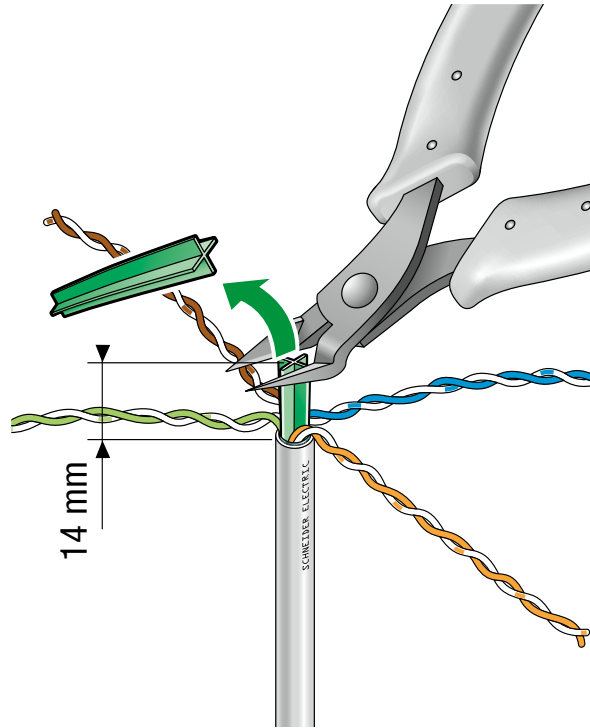
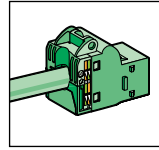


# Cable preparation

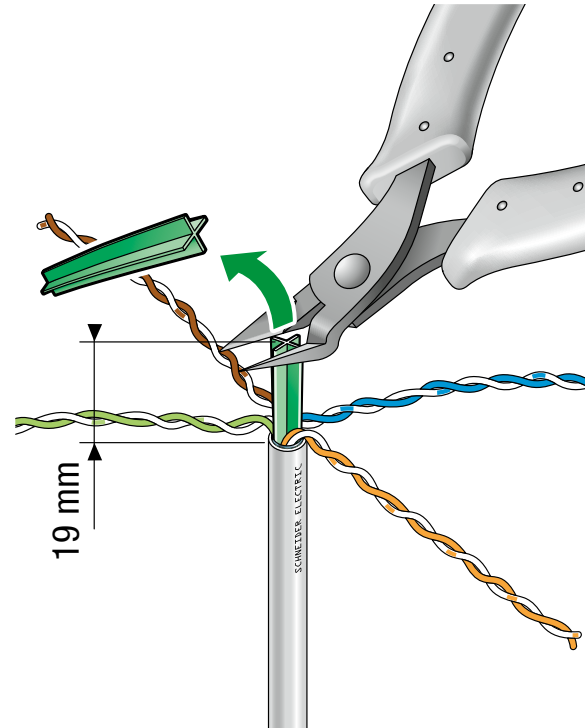
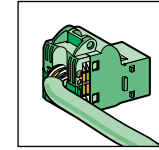
U/UTP



4

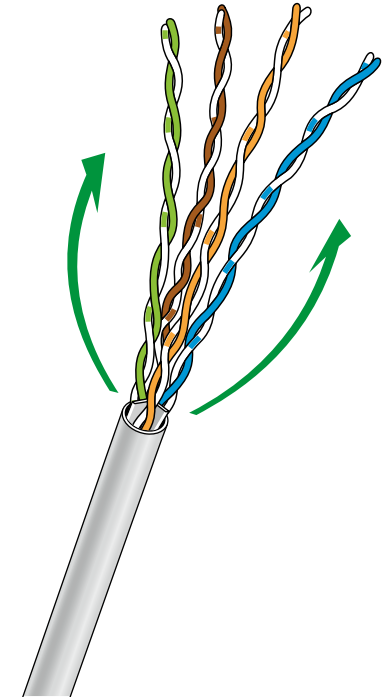


Ø > 7.5 mm



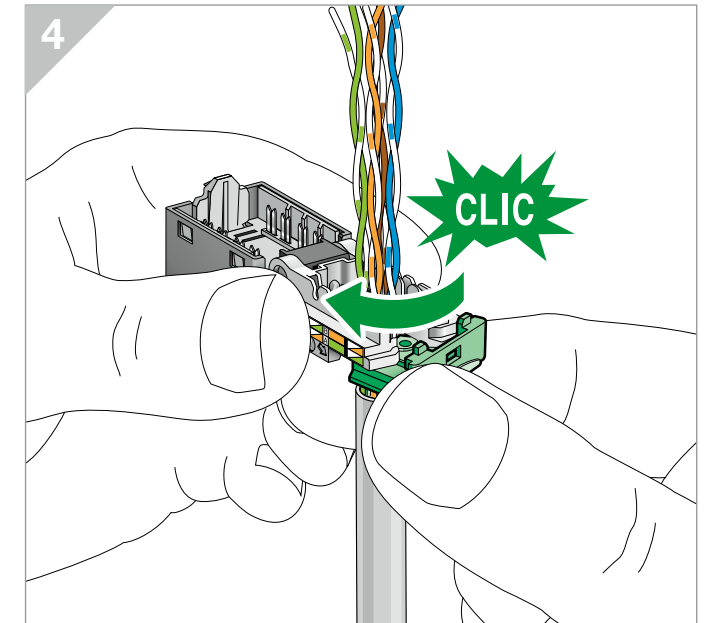
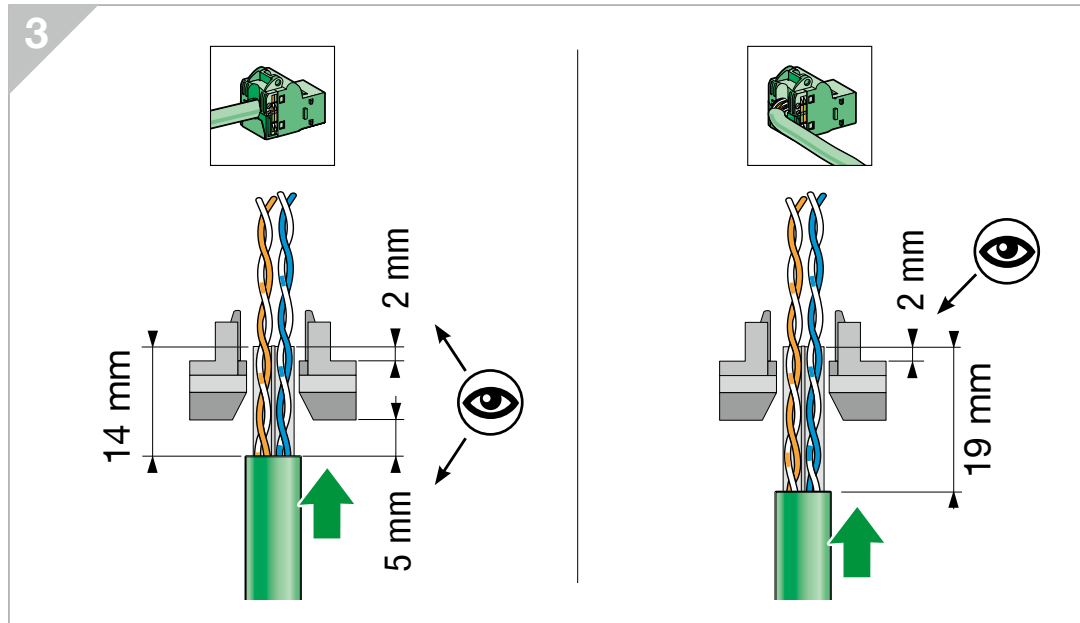
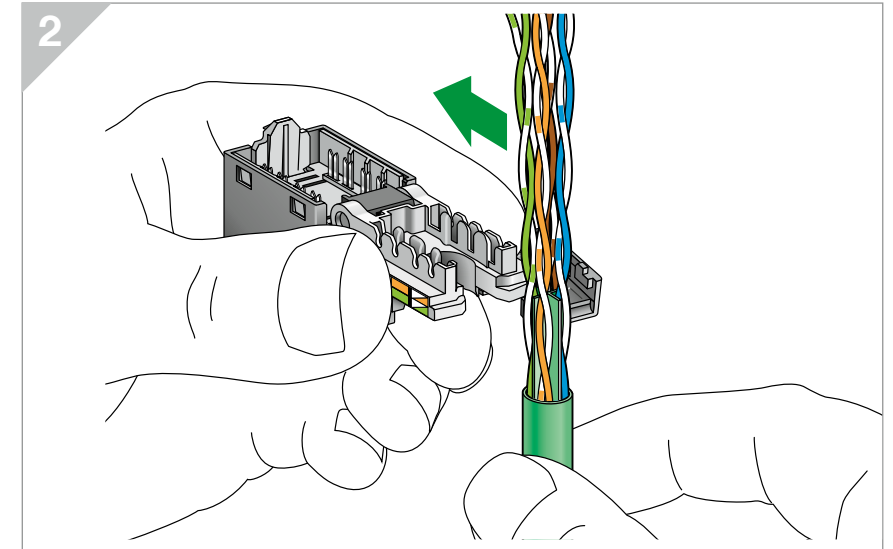
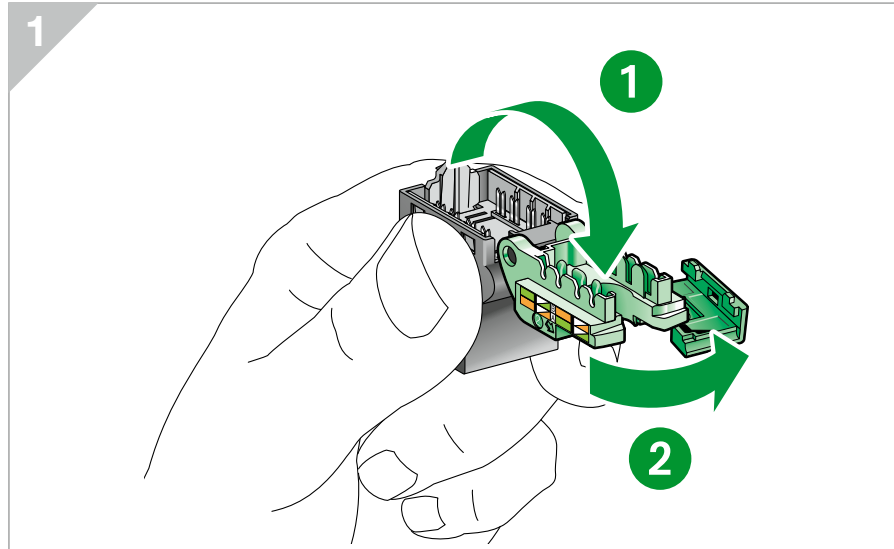
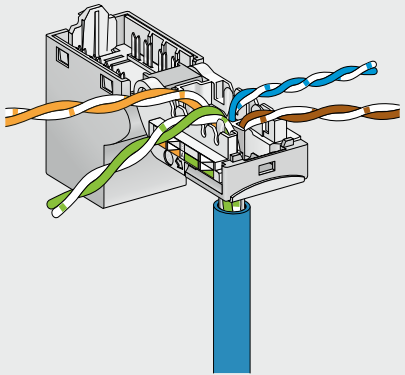
Ø > 7.5 mm

5



# Connector termination

U/UTP

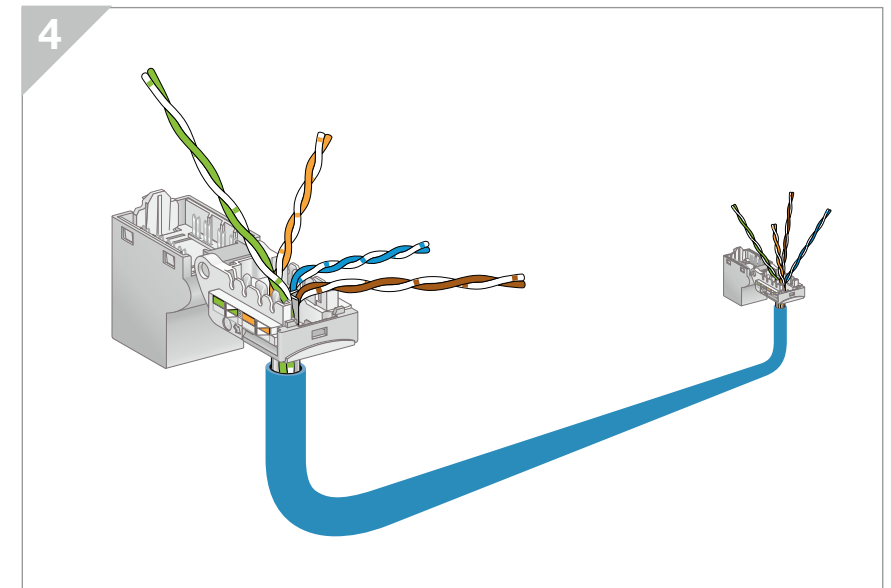
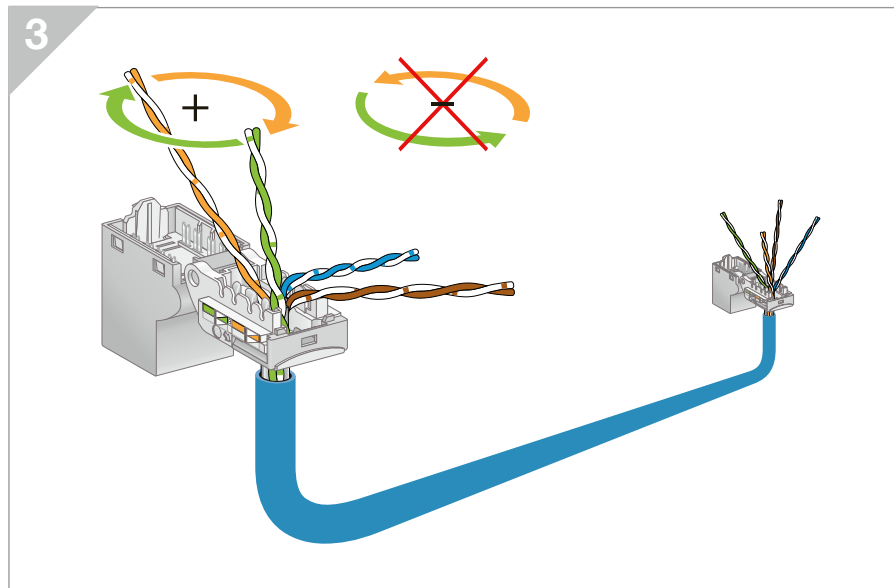
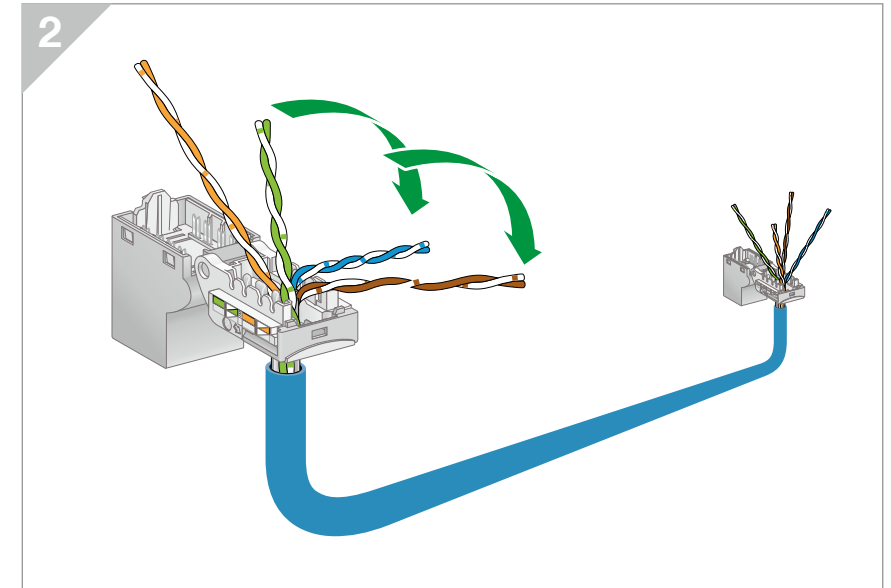
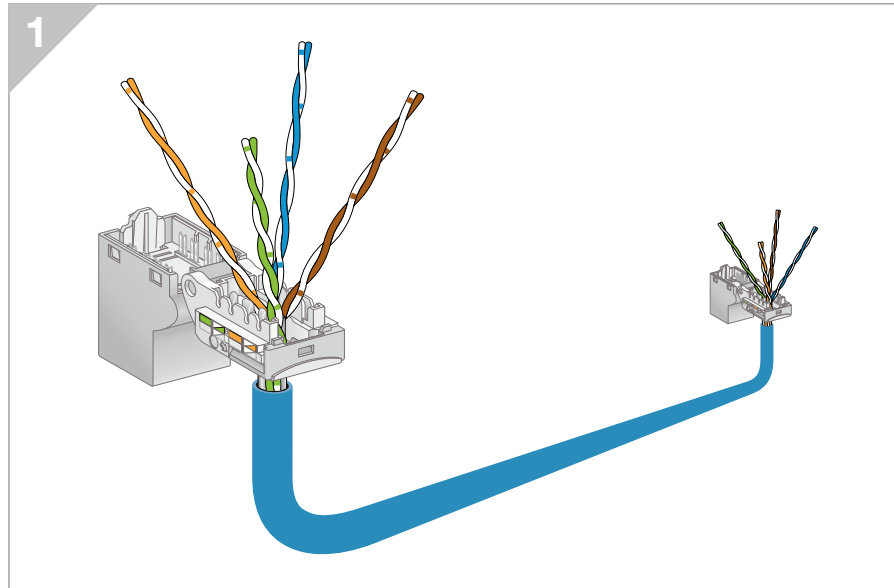
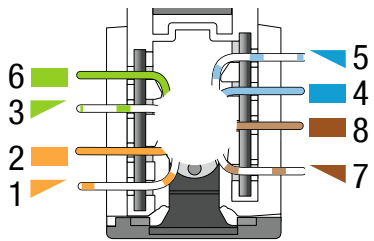


## Pairs crossing

### U/UTP

How to prepare a U/UTP cable acc. to T568B wiring code to reach high performance

EIA-TIA 568B (100Ω)

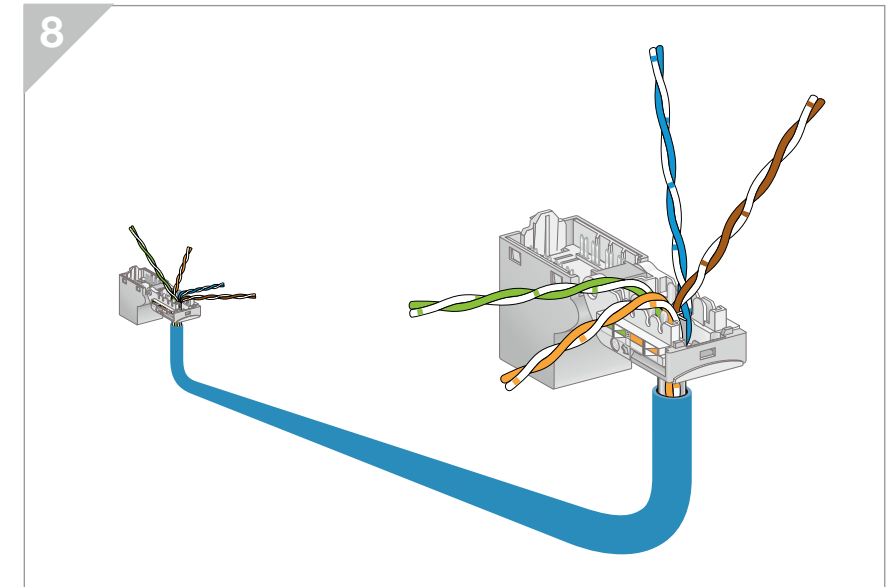
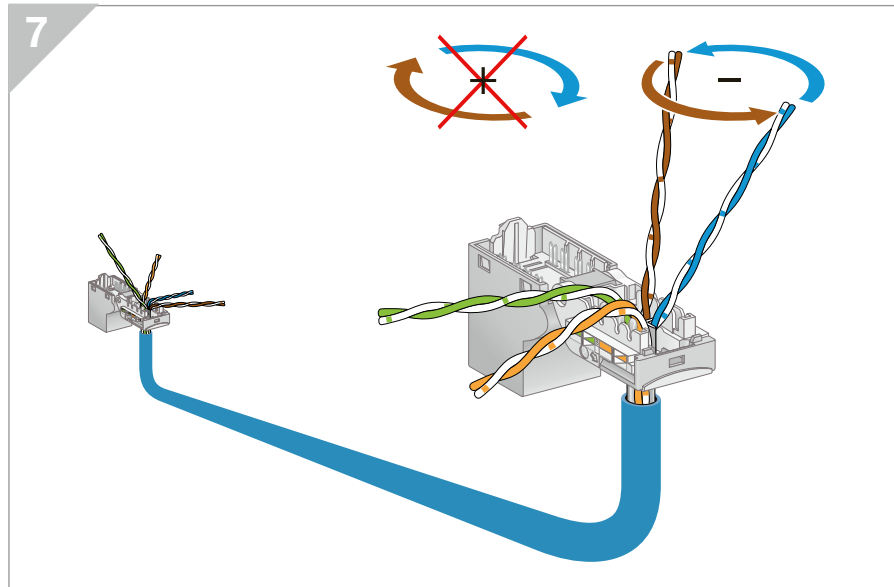
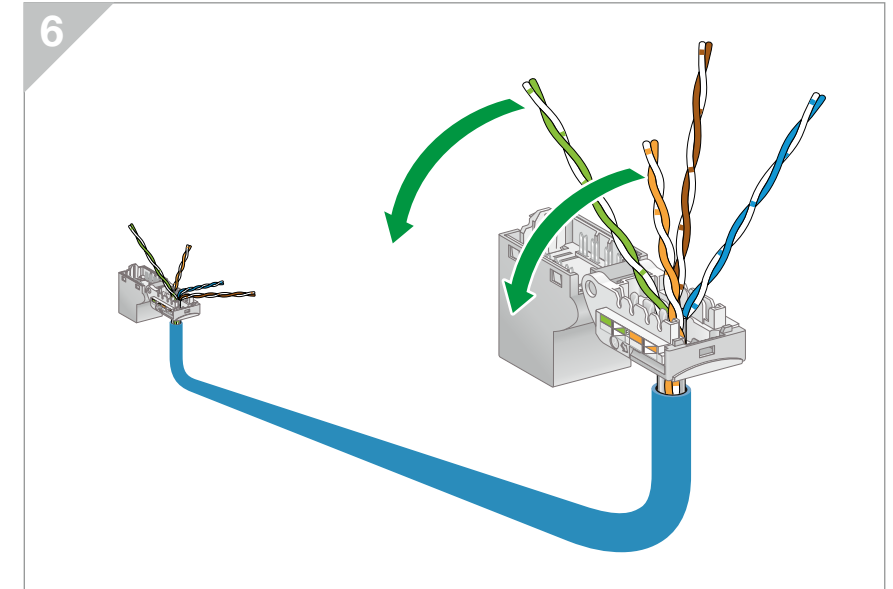
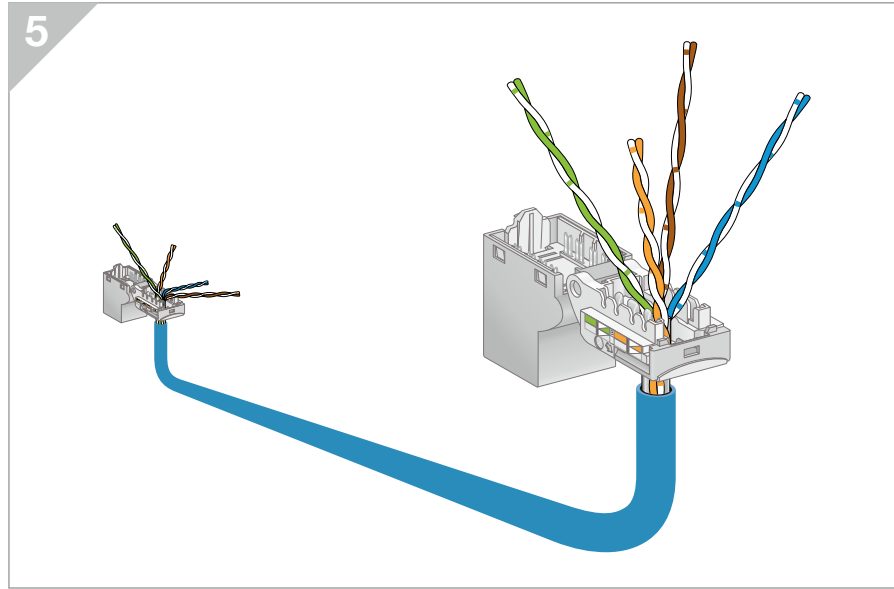
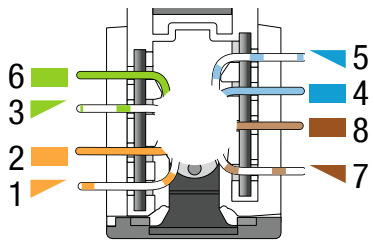


## Pairs crossing

### U/UTP

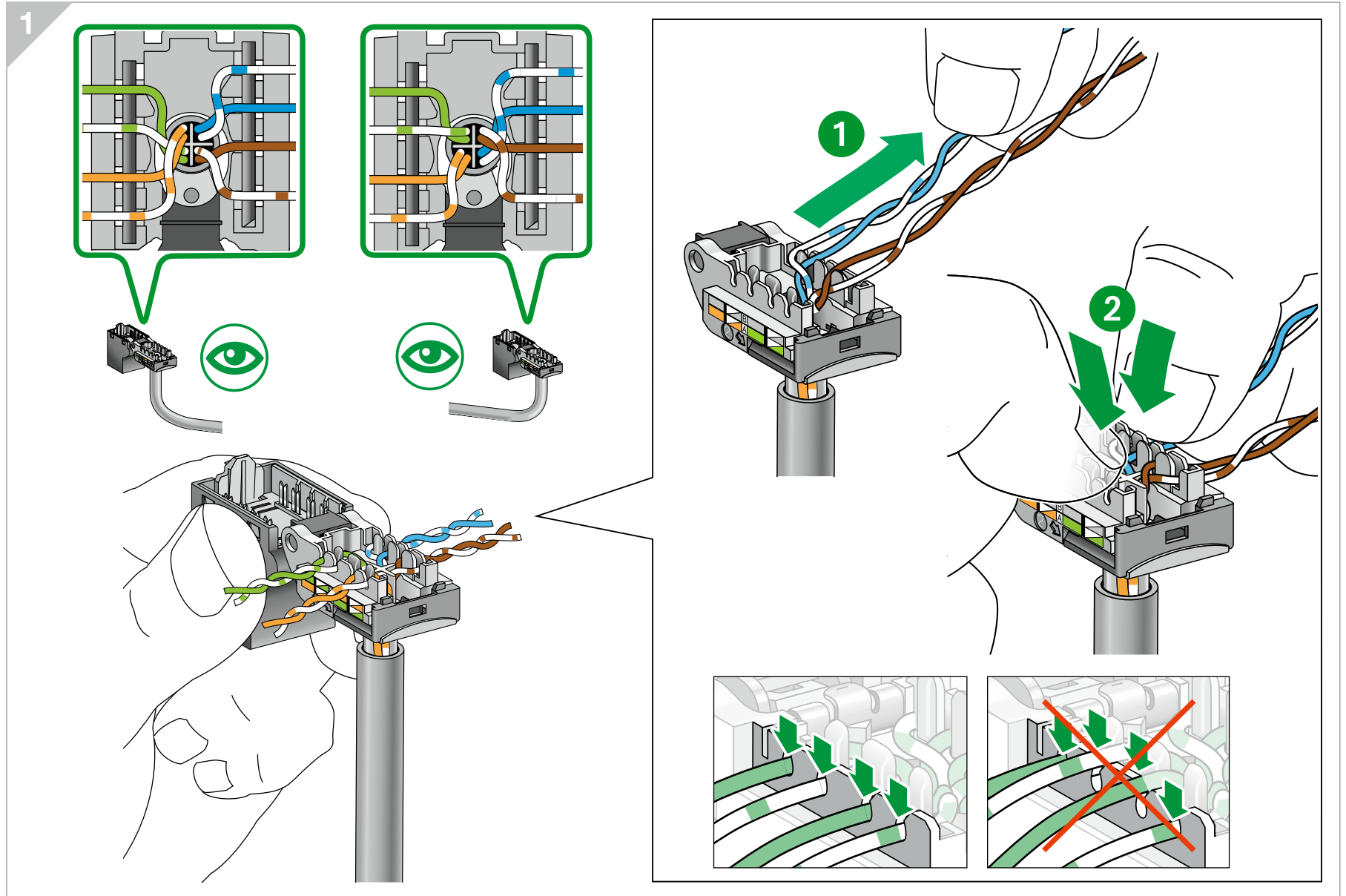
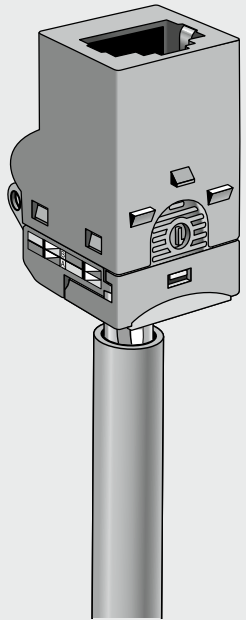
How to prepare a U/UTP cable acc. to T568B wiring code to reach high performance

EIA-TIA 568B (100Ω)



# Connector connection

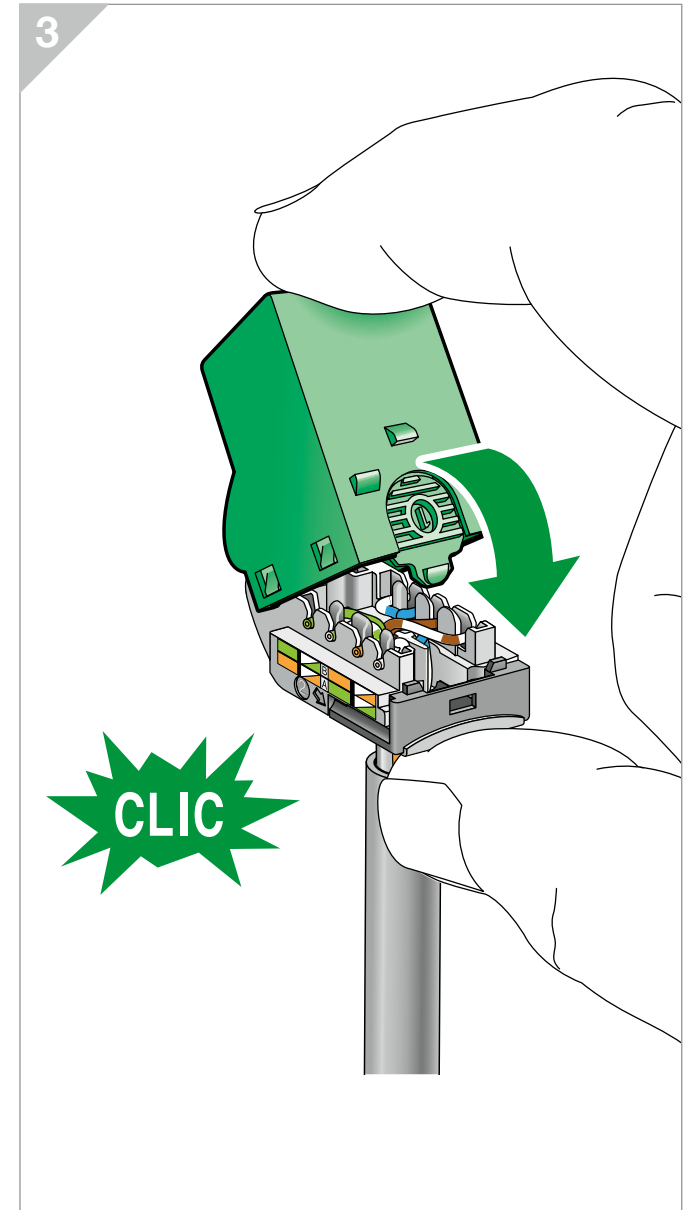
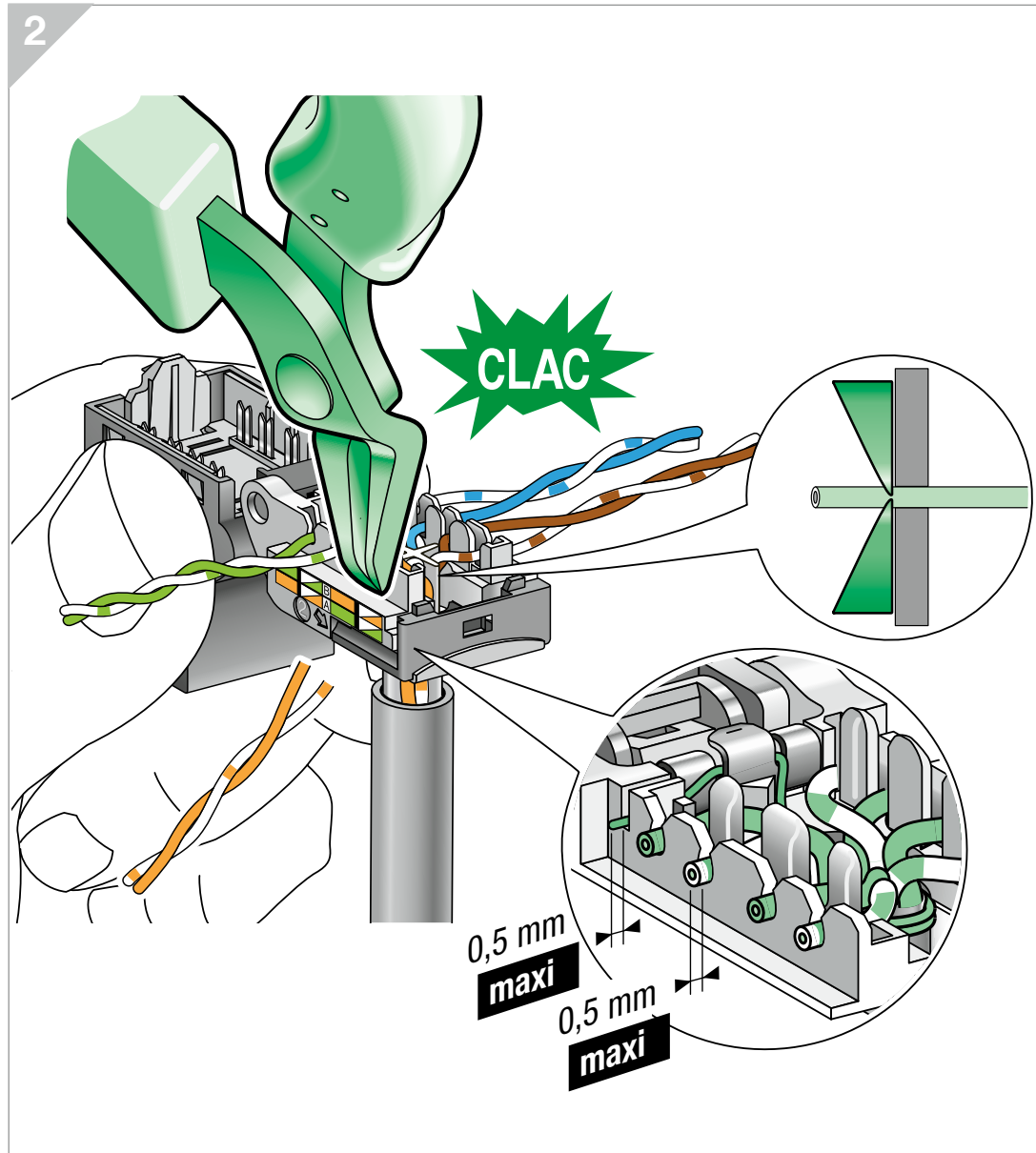
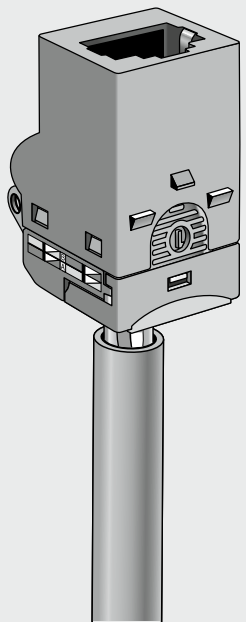
U/UTP





## Connector connection

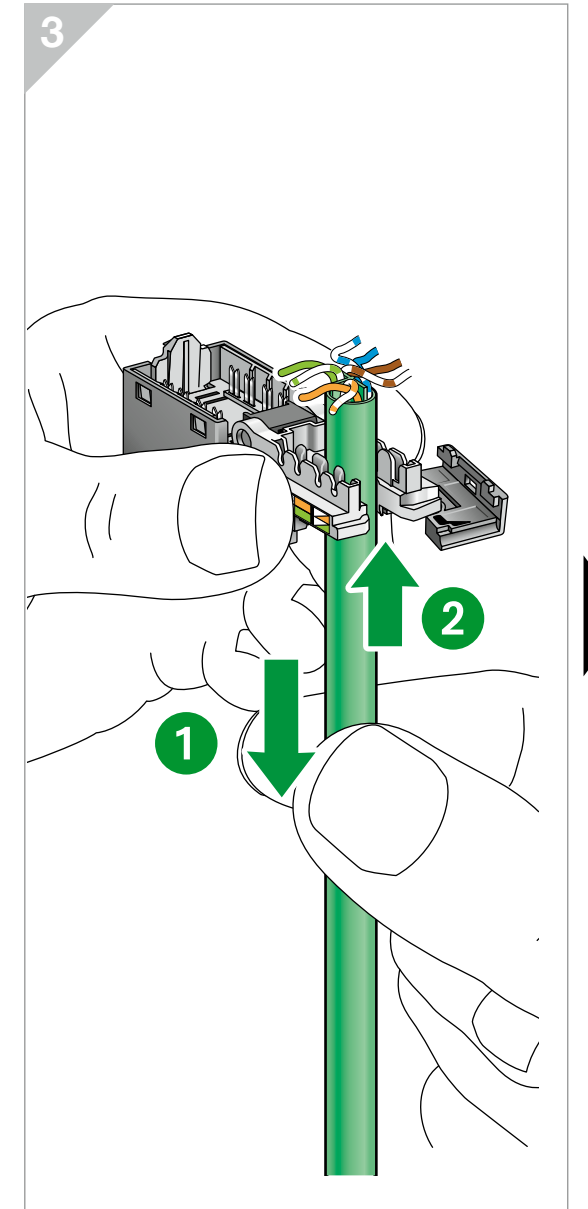
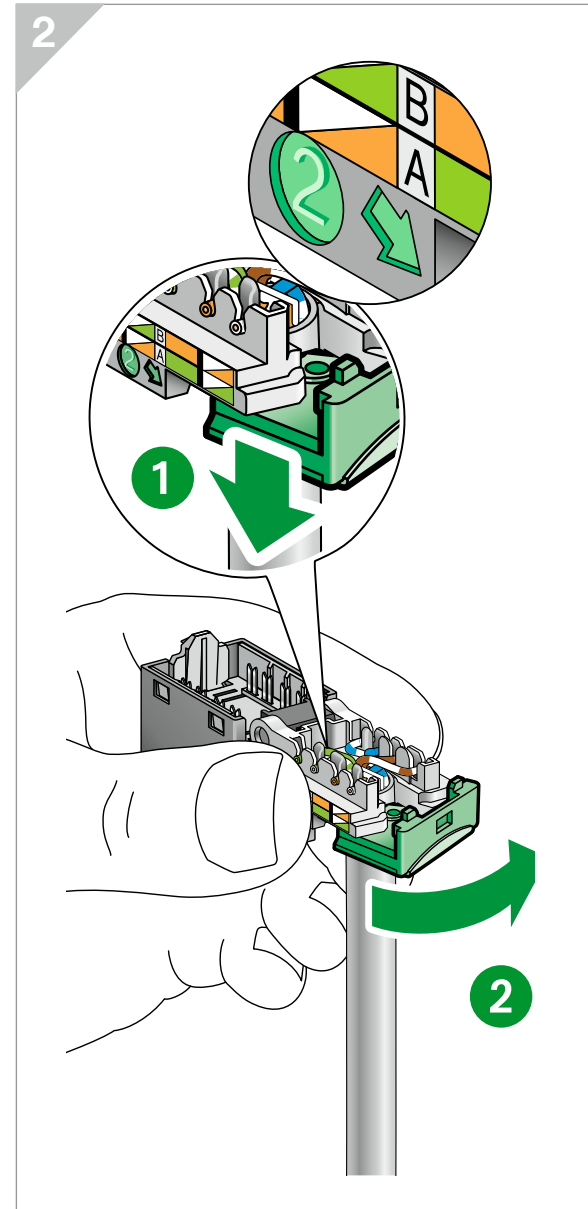
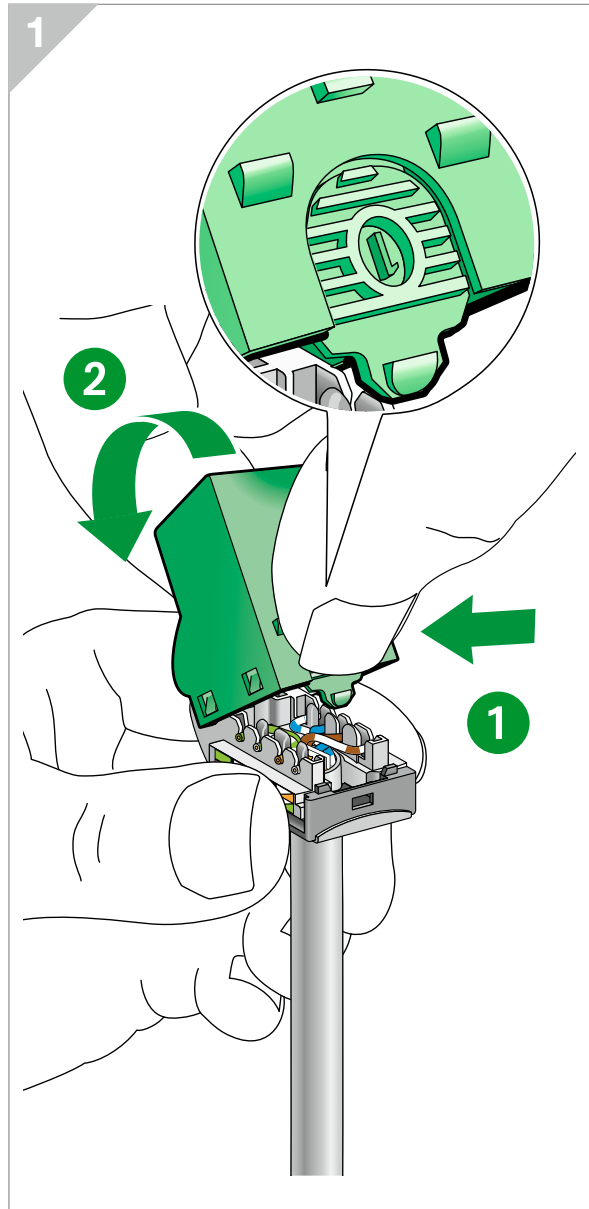
U/UTP

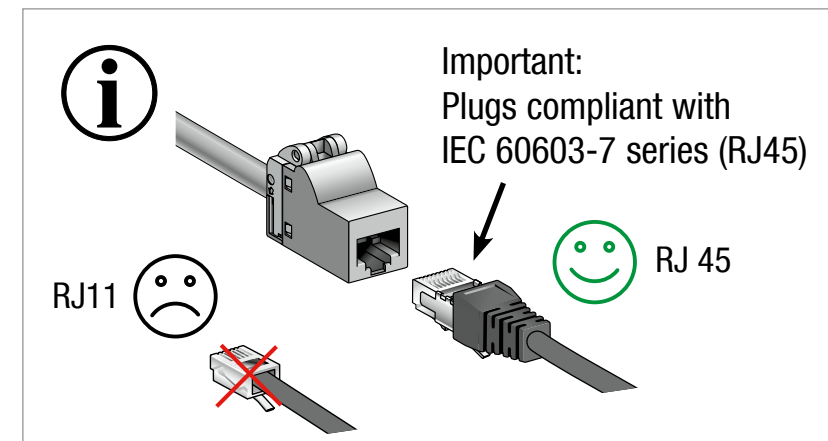
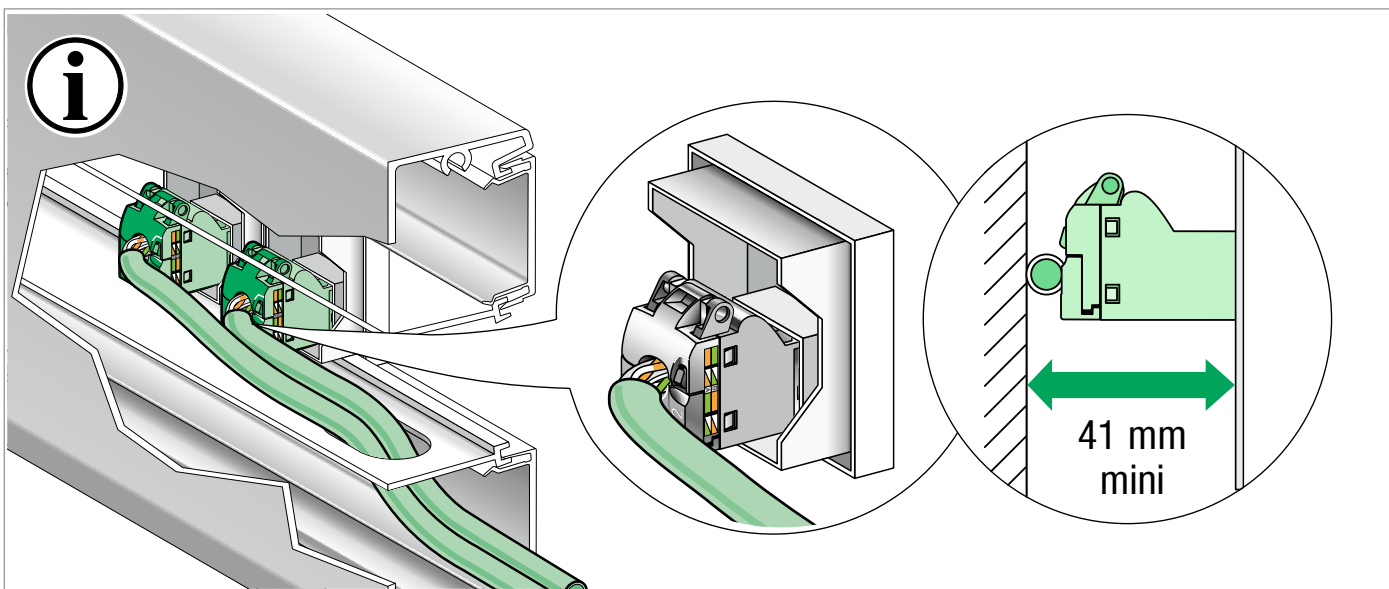
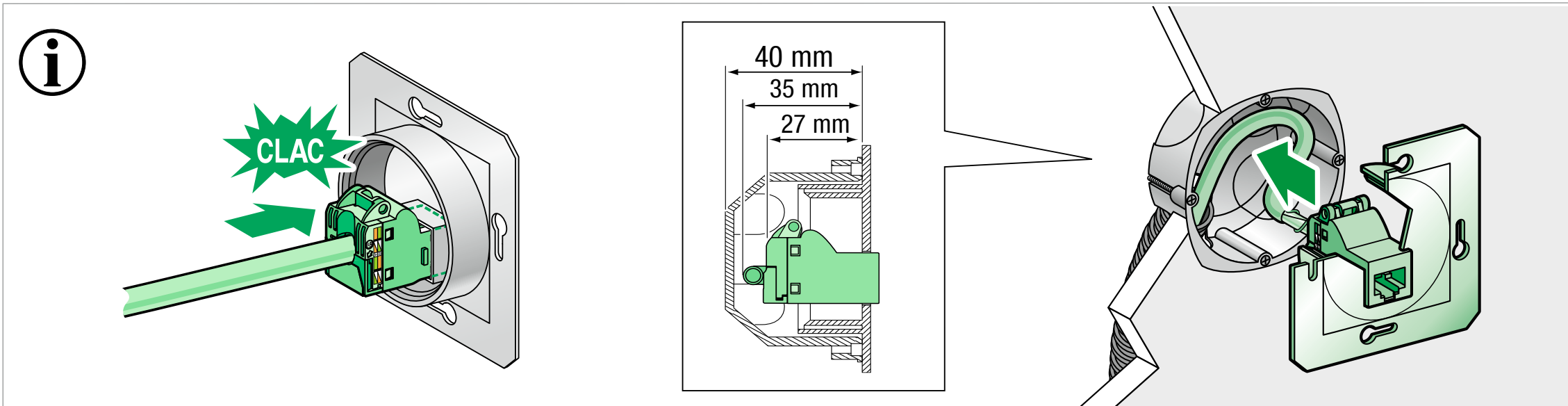




## Connector disconnection

U/UTP





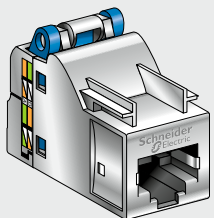
How to connect S-One  
with U/UTP cable 7mm



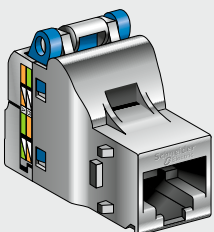
# Composition

## Shielded connector

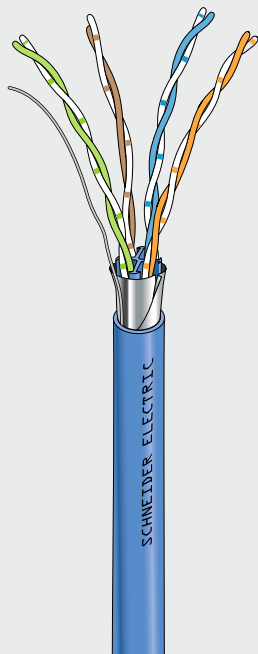
S-One



S-One DPM

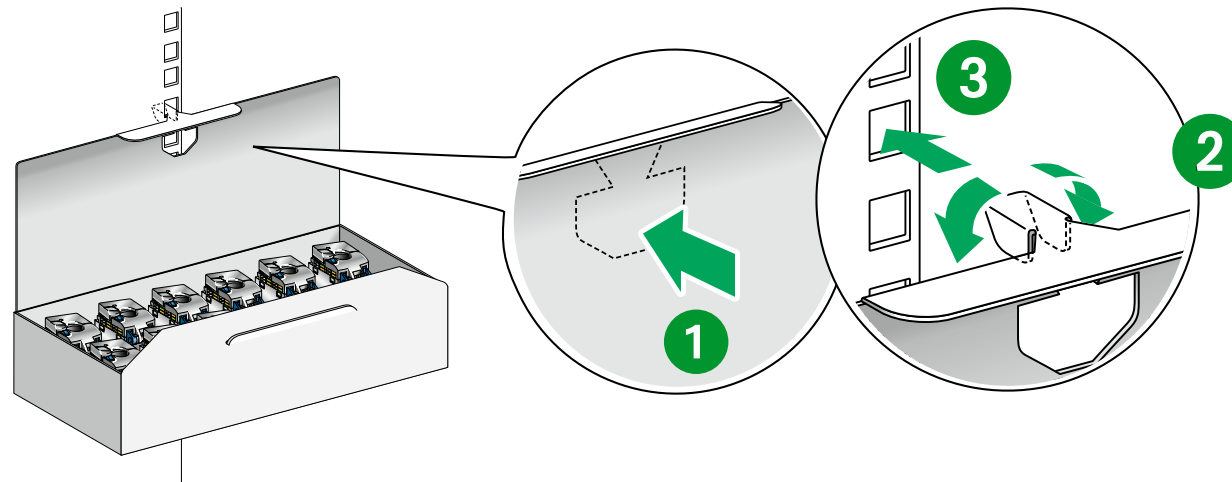
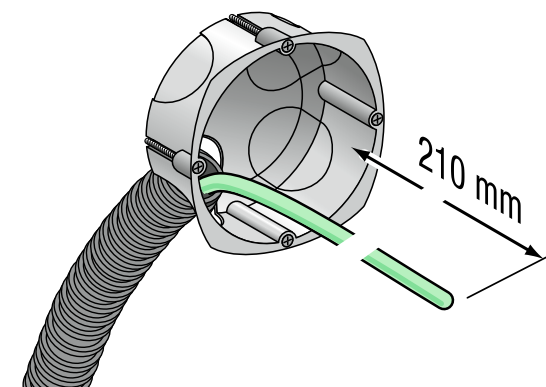


## F/UTP



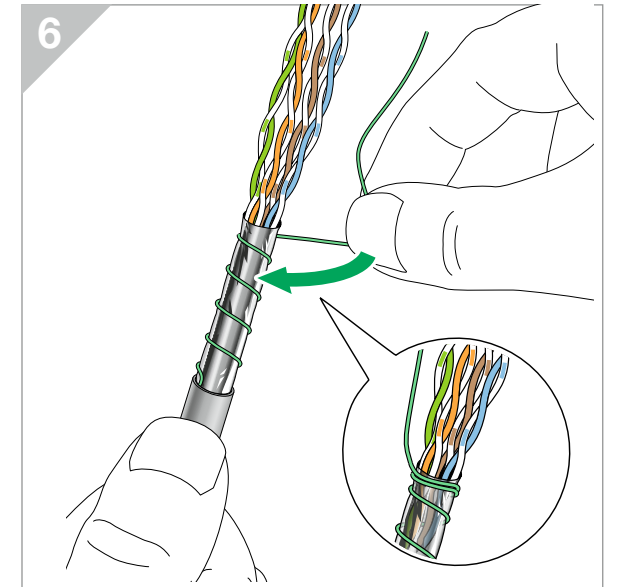
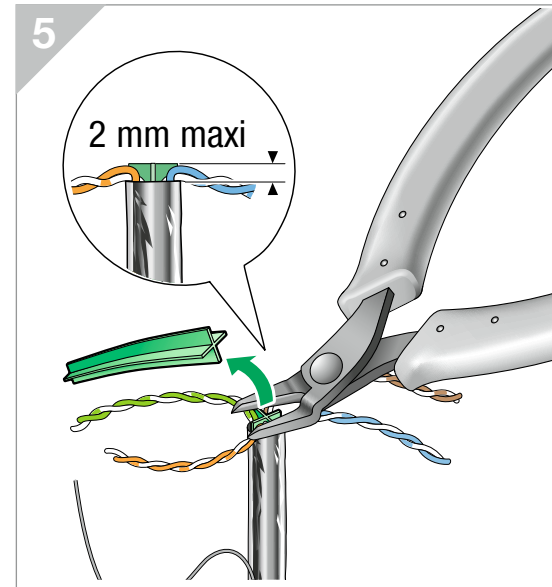
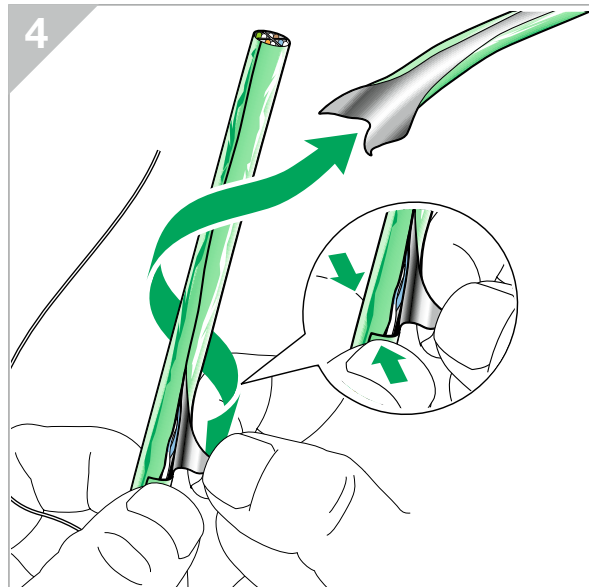
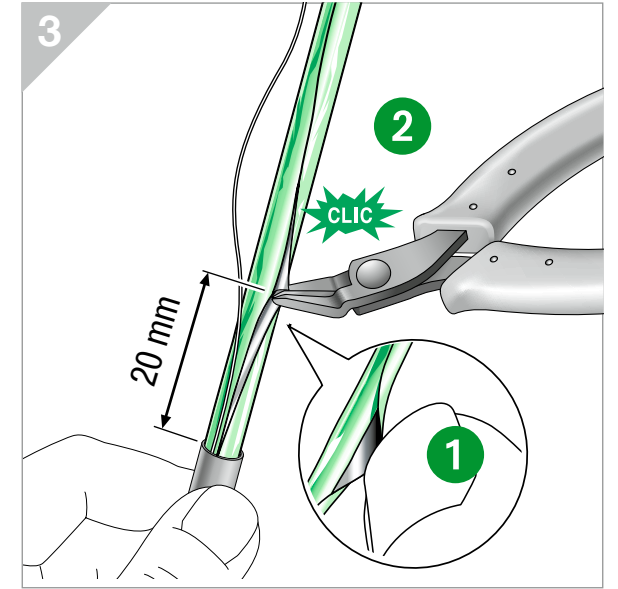
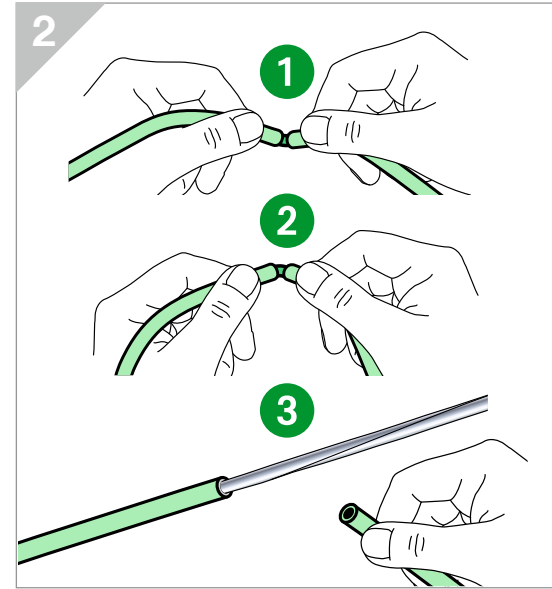
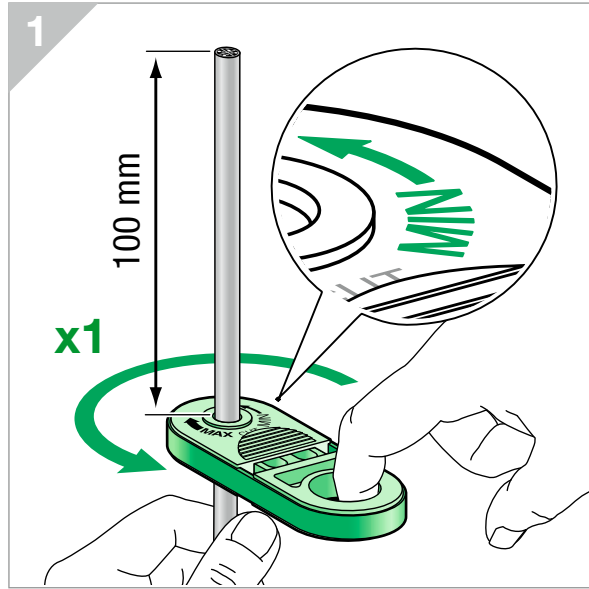
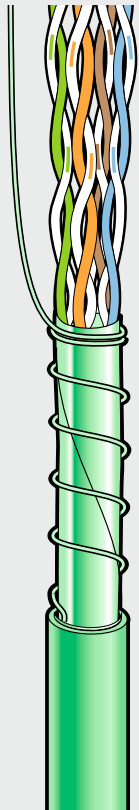
VDIR580020

x1



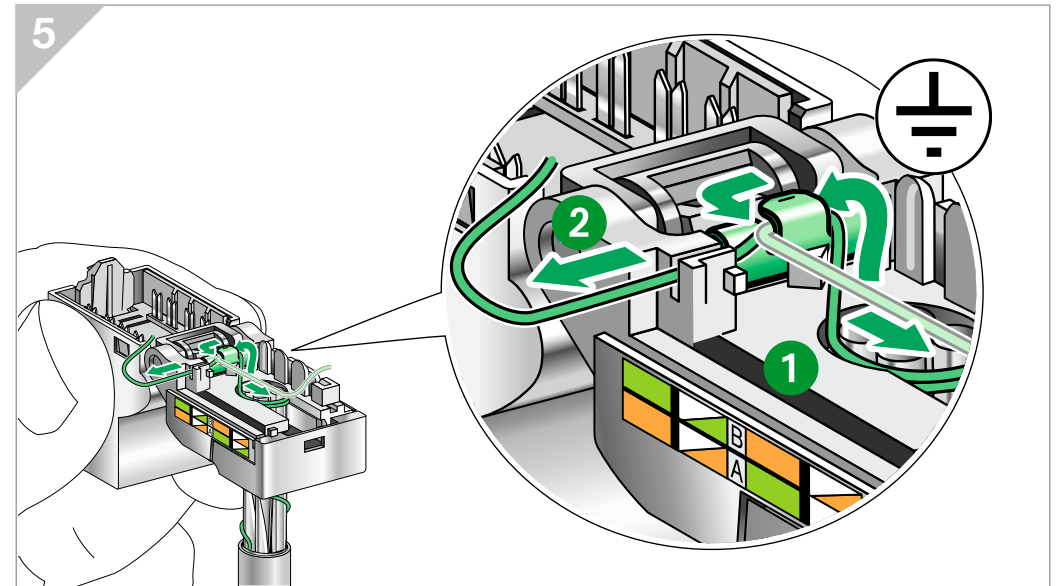
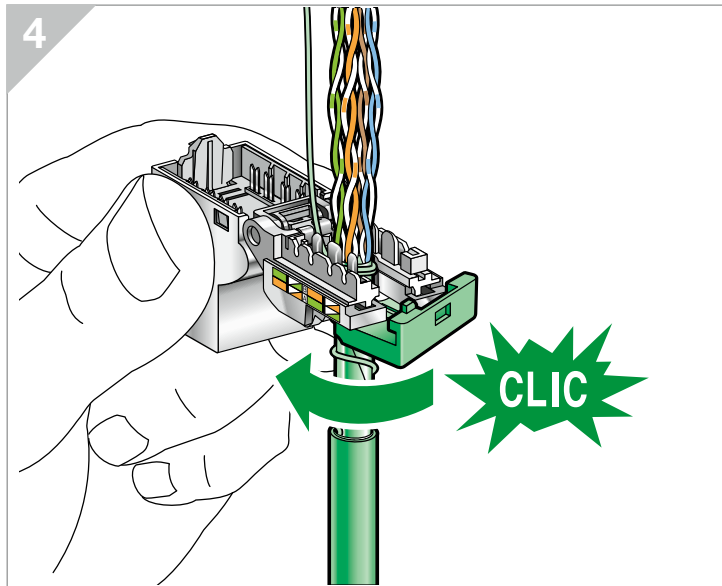
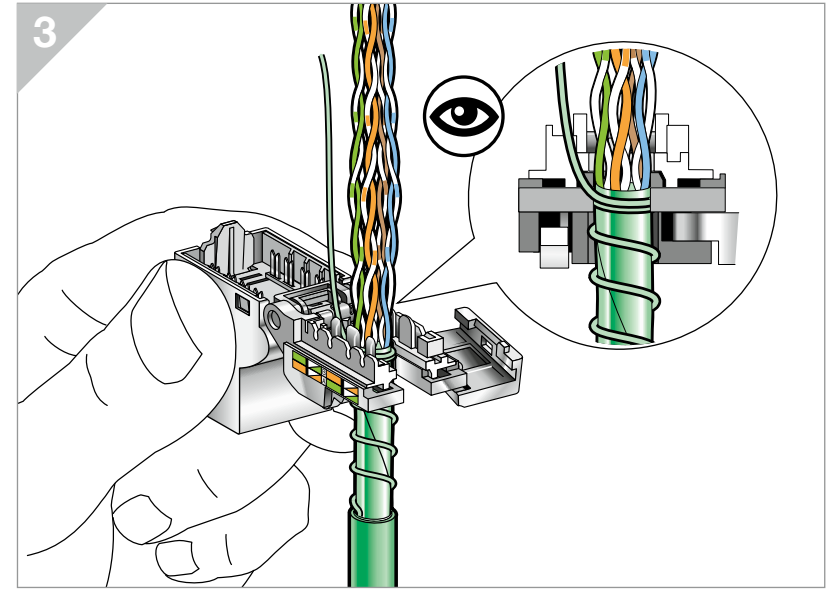
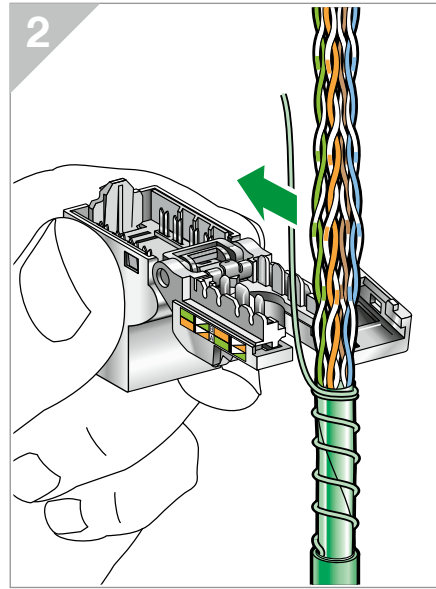
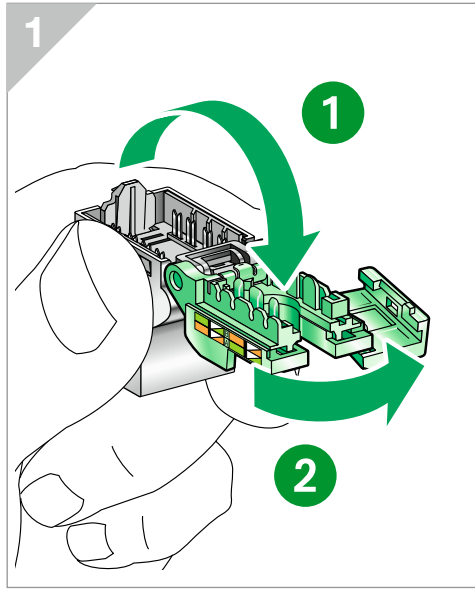
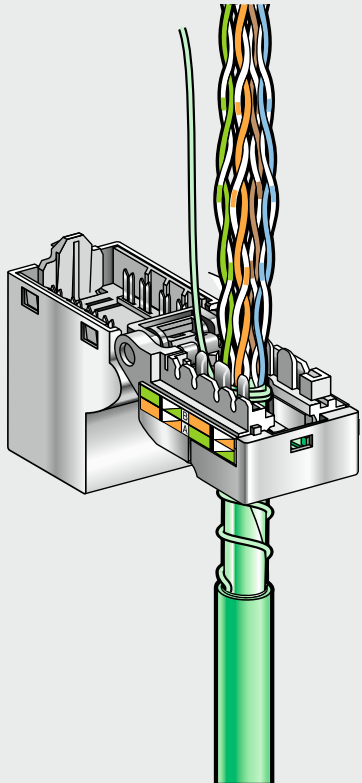
# Cable preparation

F/UTP



# Connector termination

F/UTP

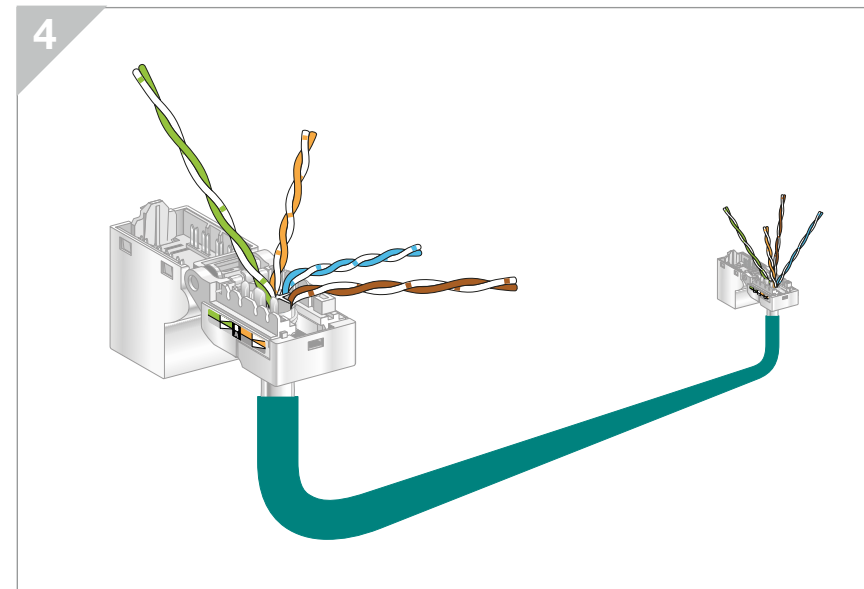
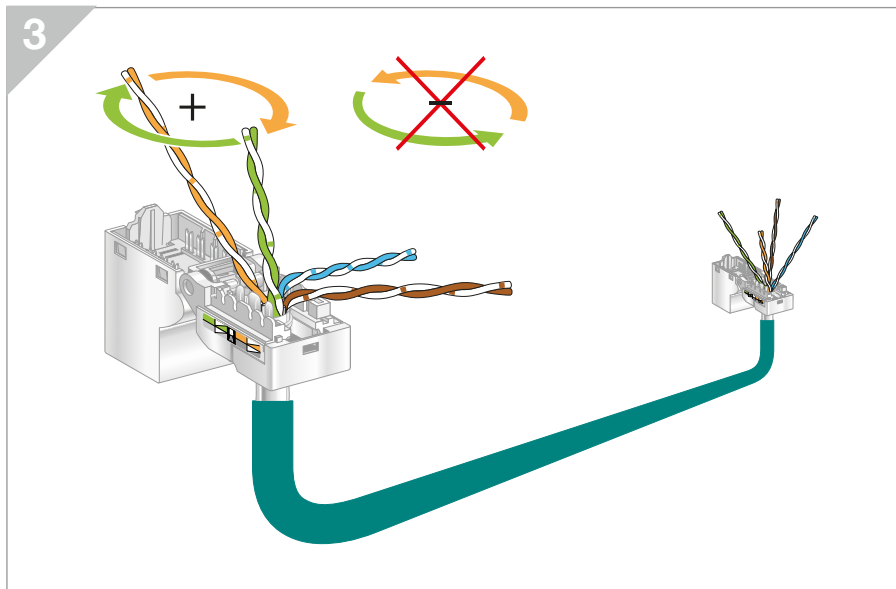
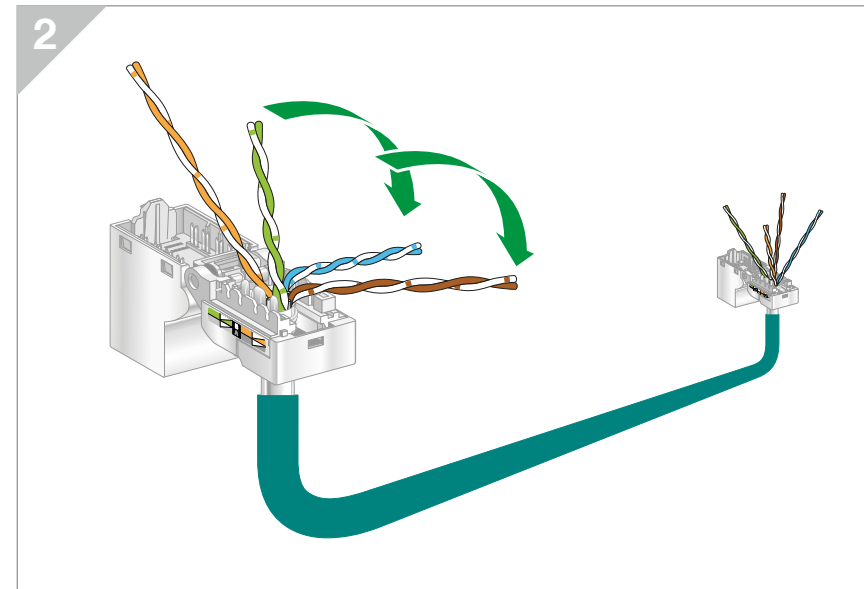
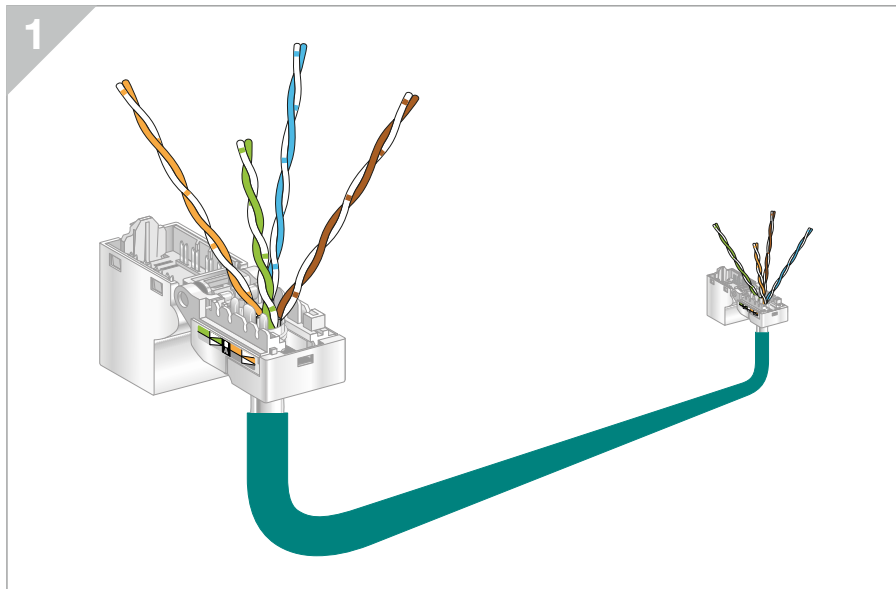
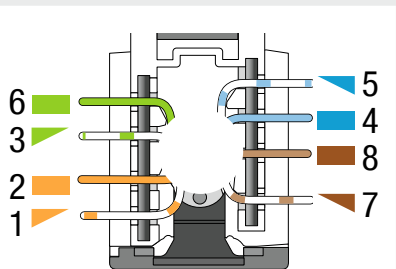


# Pairs crossing

## F/UTP

How to prepare a F/UTP cable acc. to T568B wiring code to reach high performance

EIA-TIA 568B (100Ω)



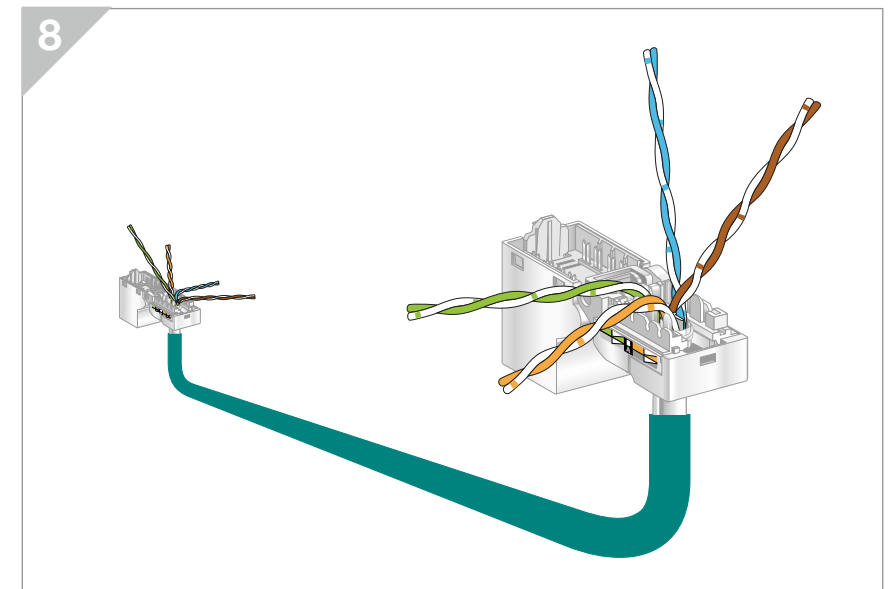
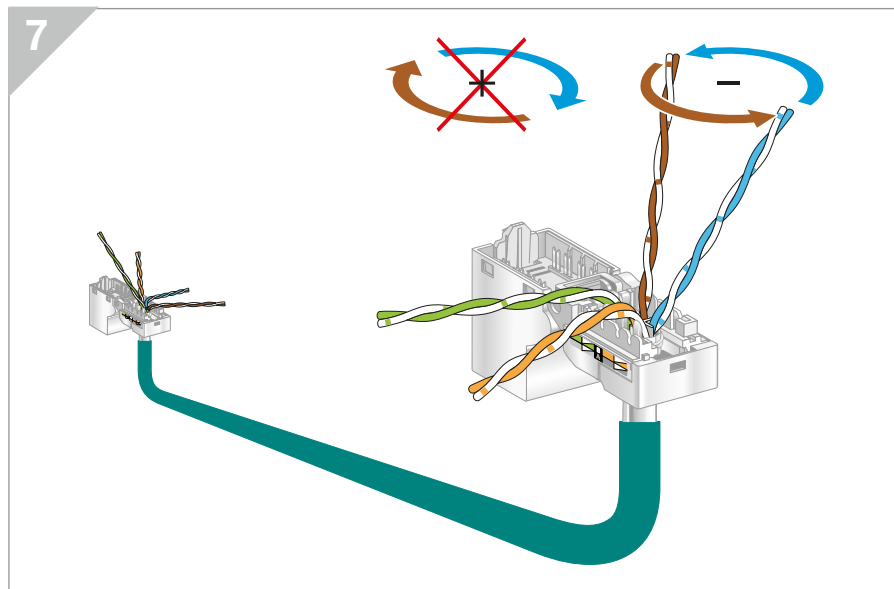
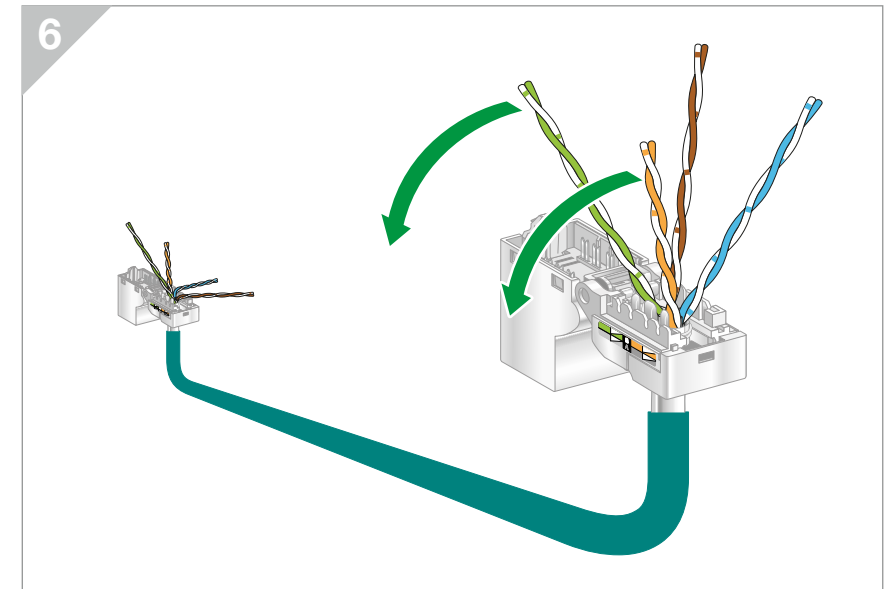
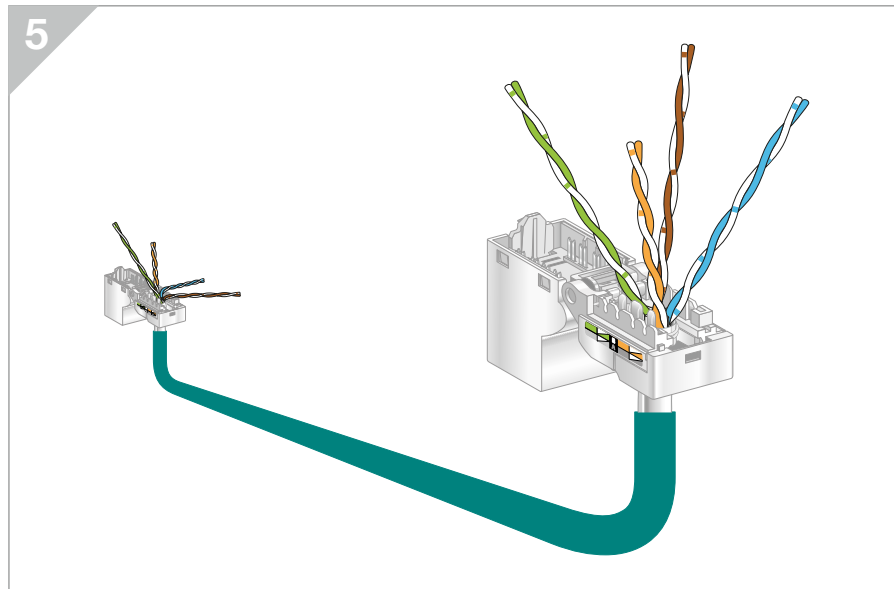
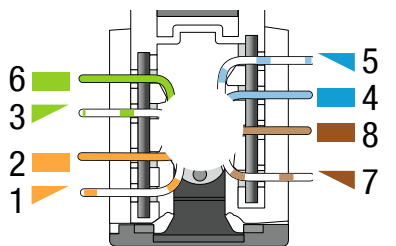


# Pairs crossing

## F/UTP

How to prepare a F/UTP cable acc. to T568B wiring code to reach high performance

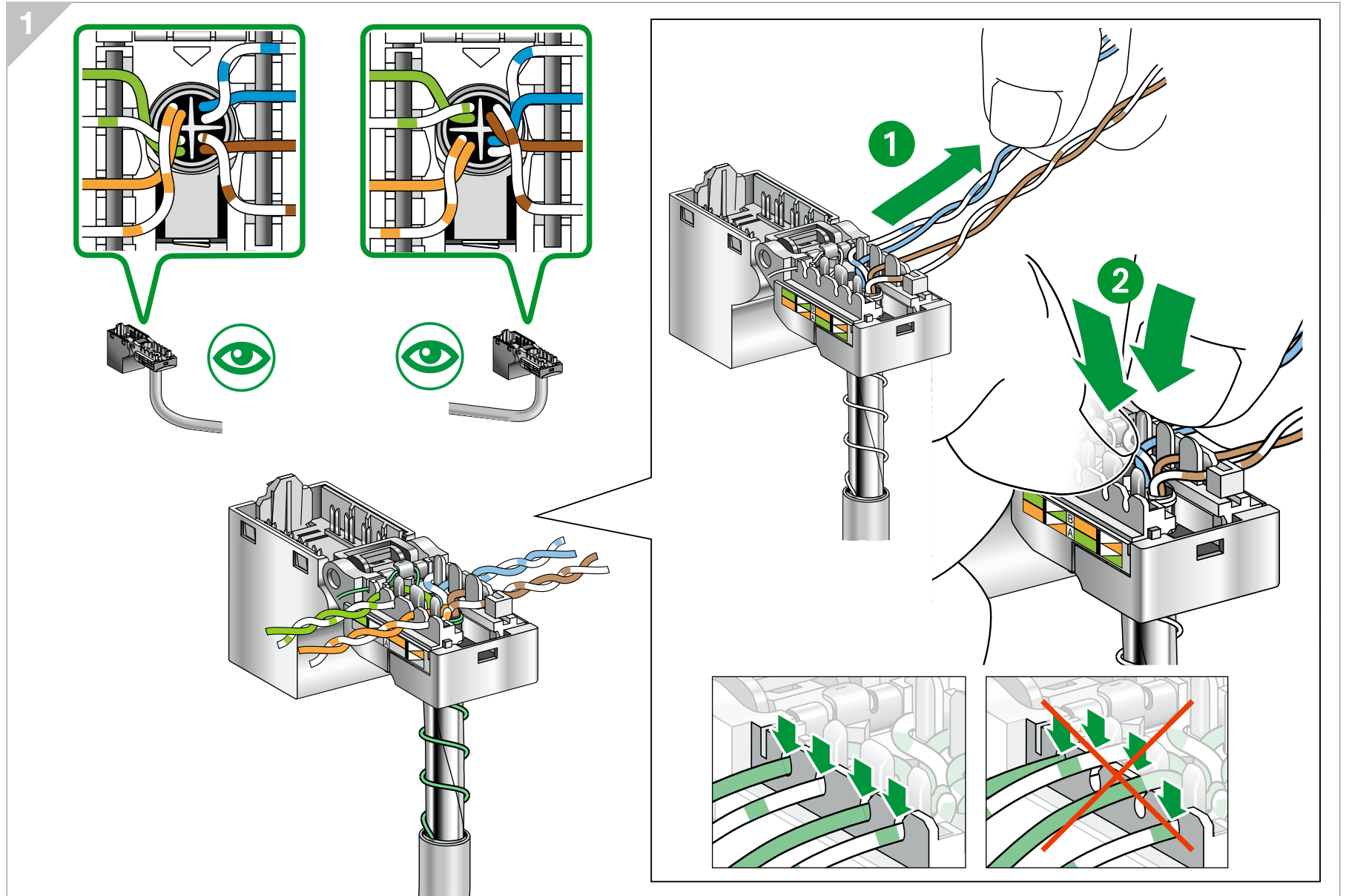
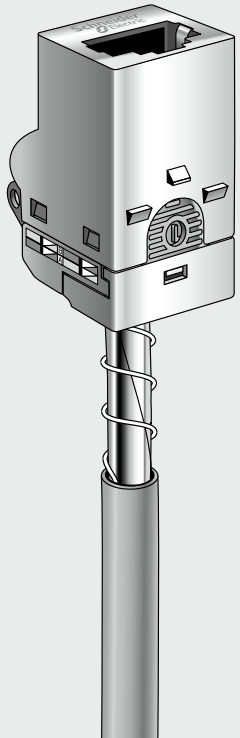
EIA-TIA 568B (100Ω)





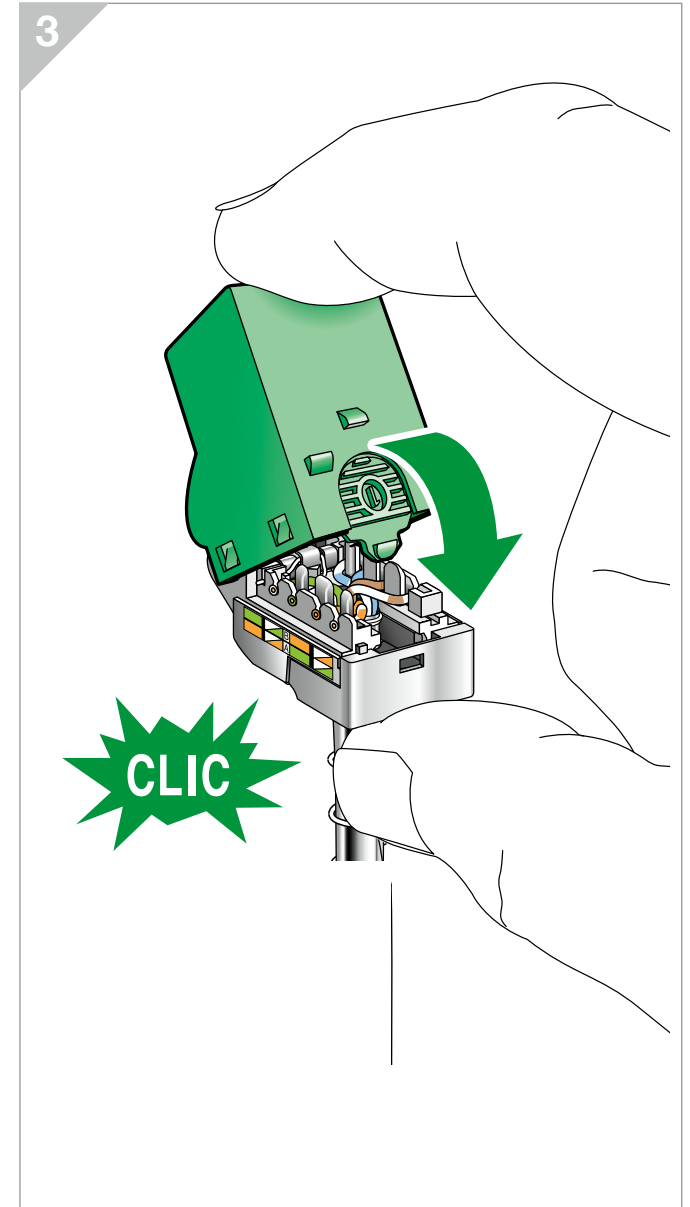
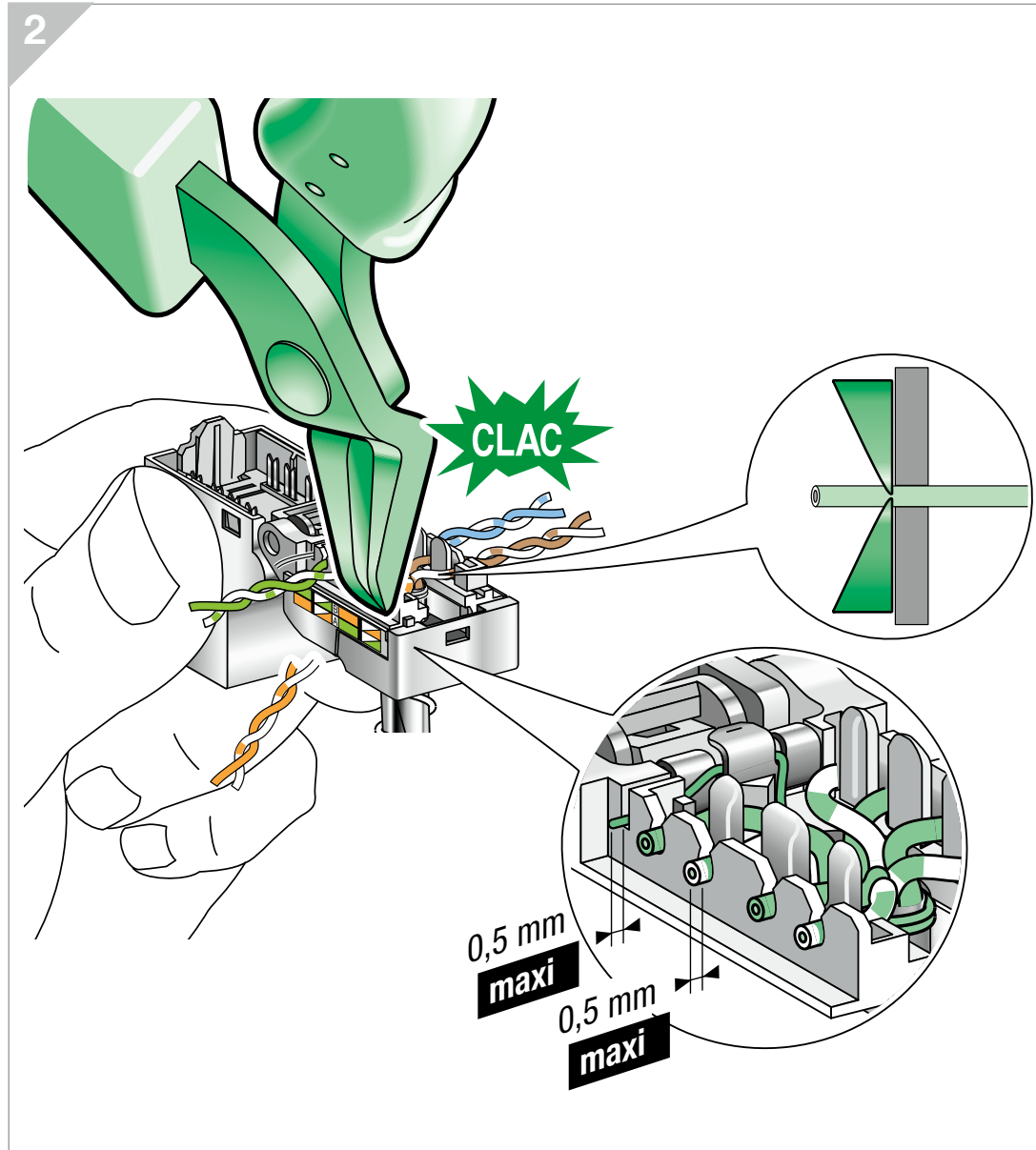
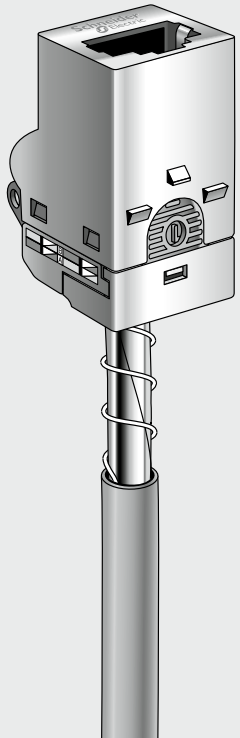
# Connector connection

F/UTP



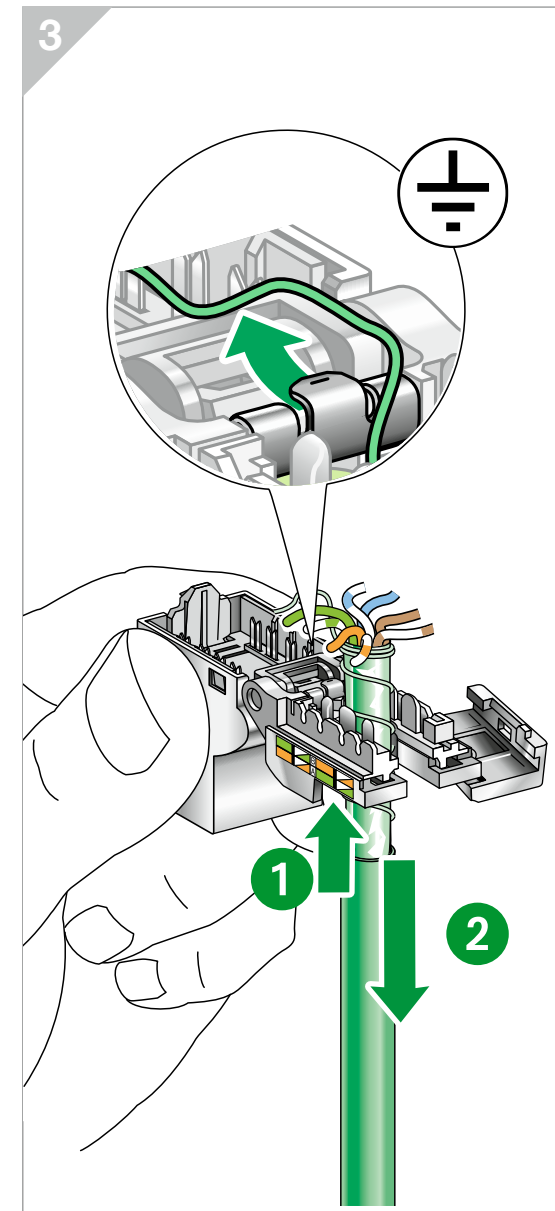
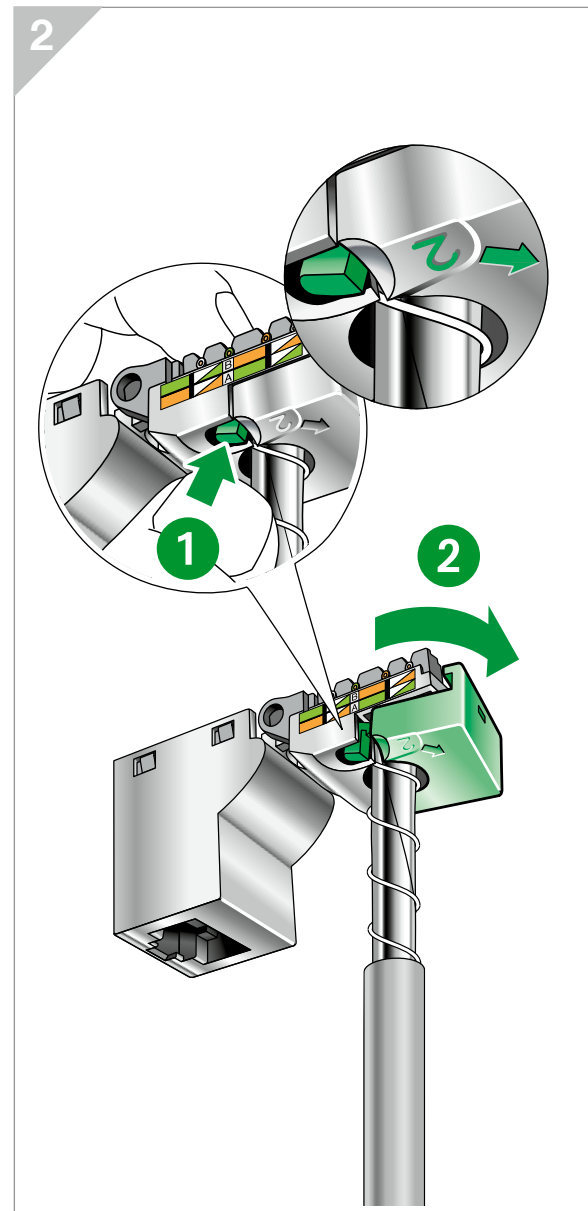
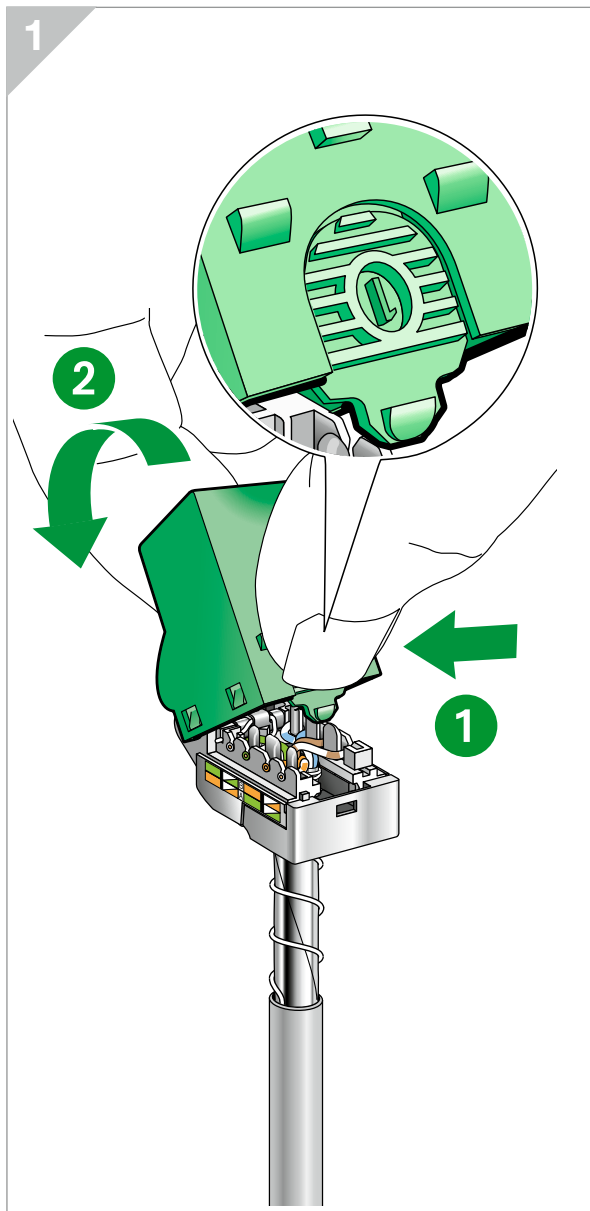
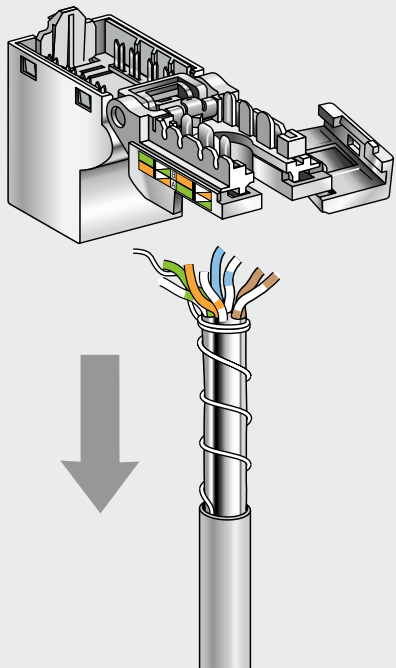
## Connector connection

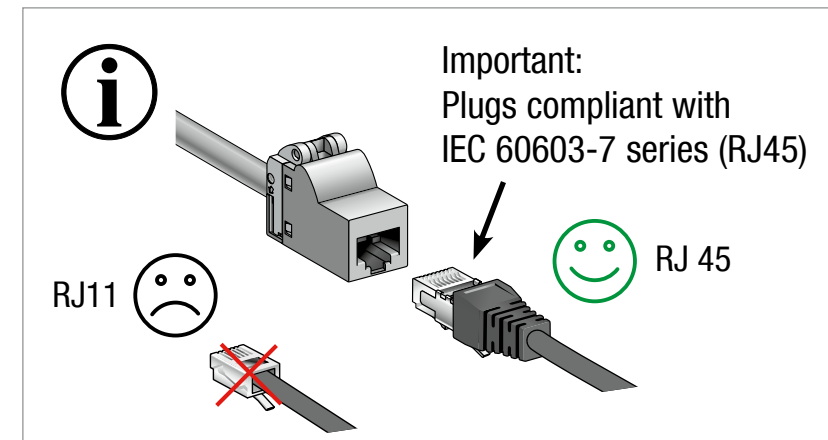
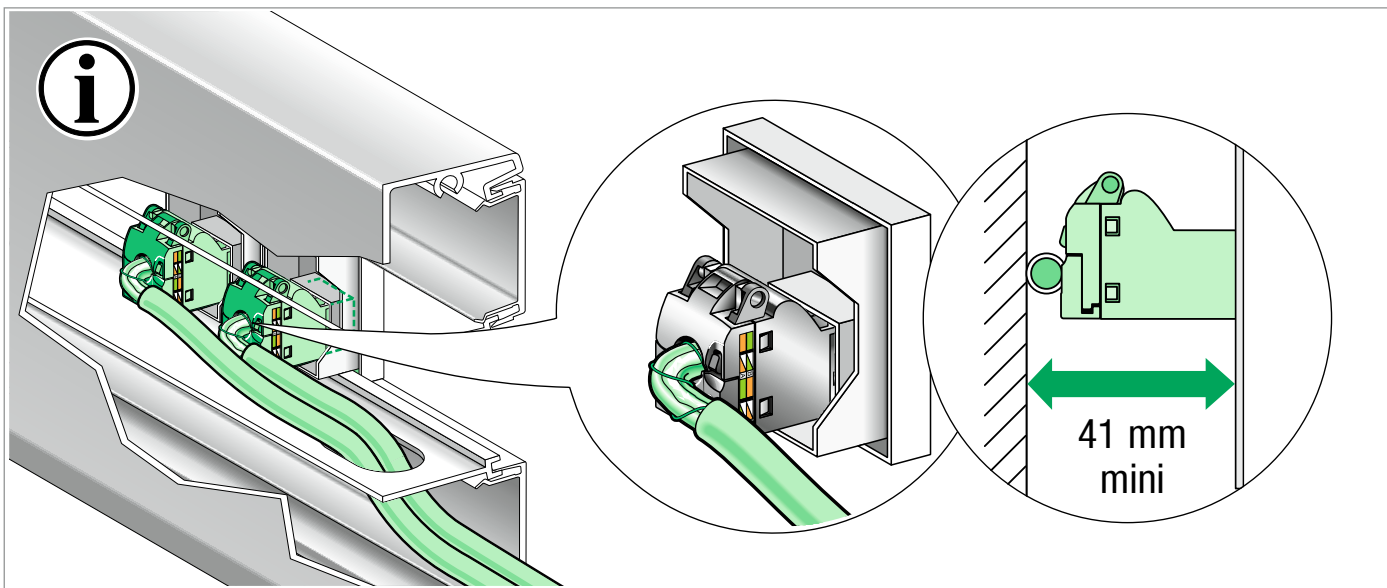
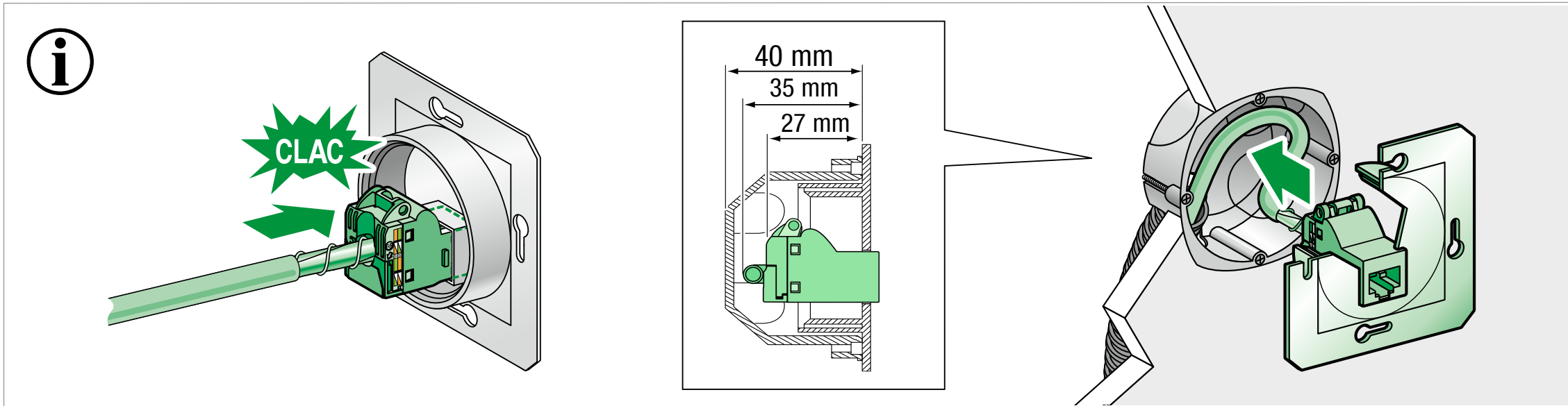
F/UTP



## Connector disconnection

F/UTP

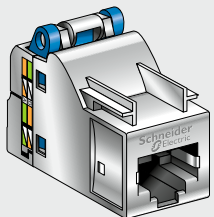




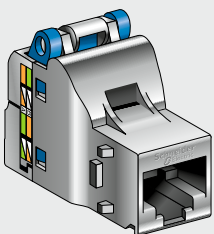
## Composition

### Shielded connector

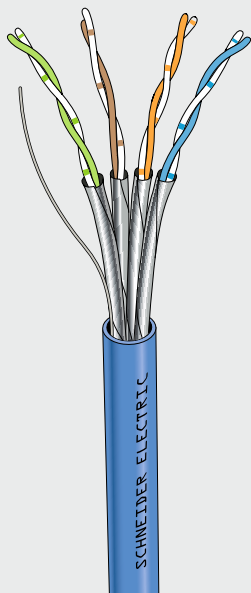
S-One



S-One DPM

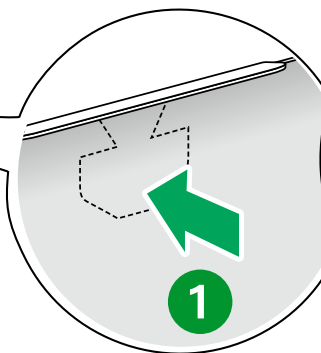
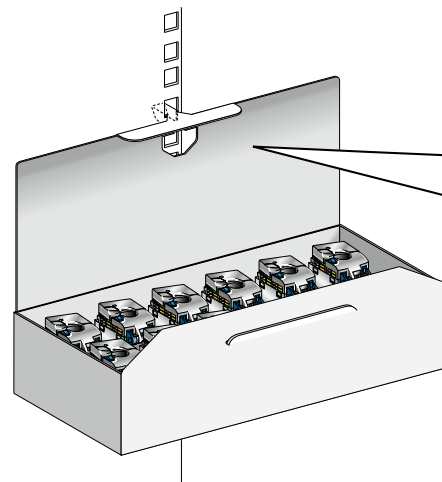
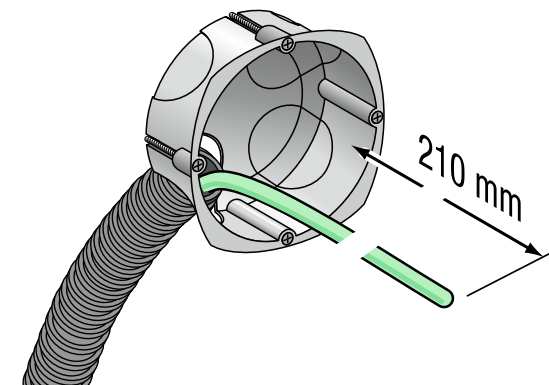


### U/FTP



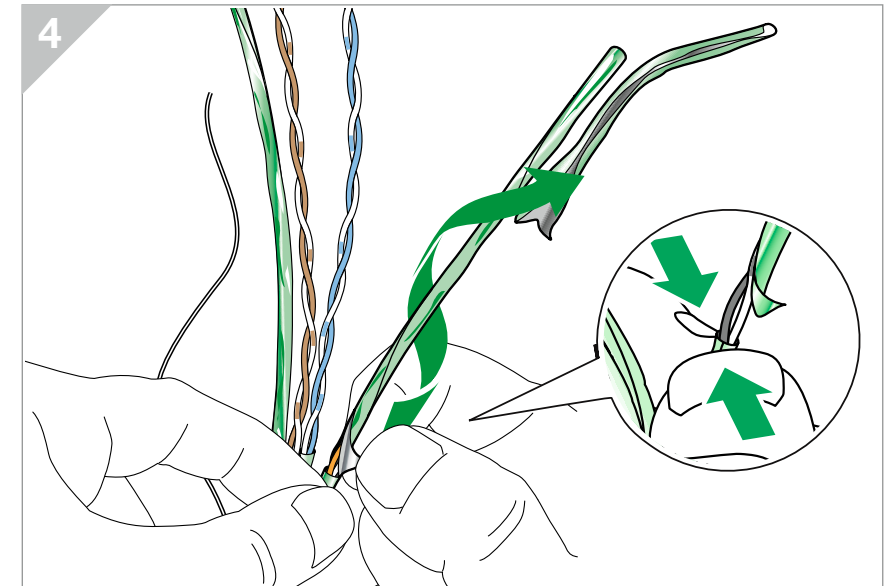
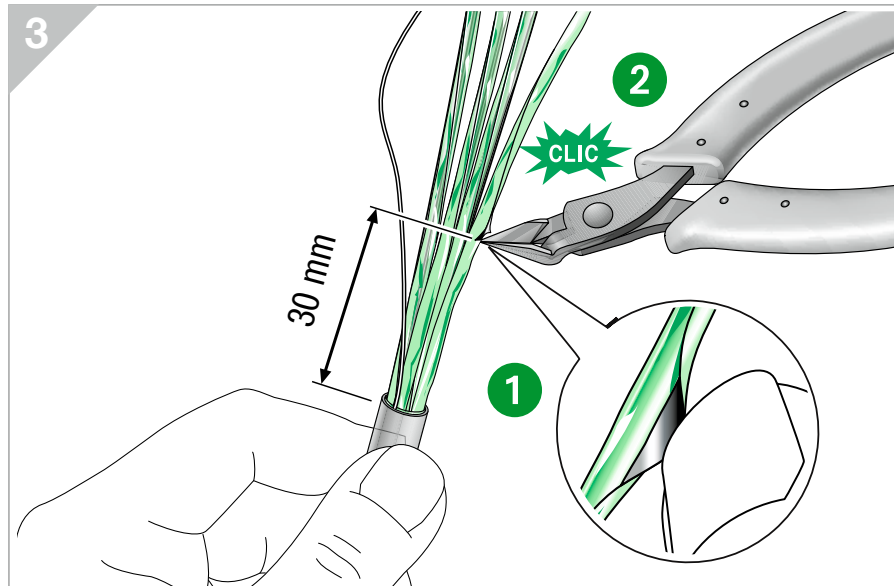
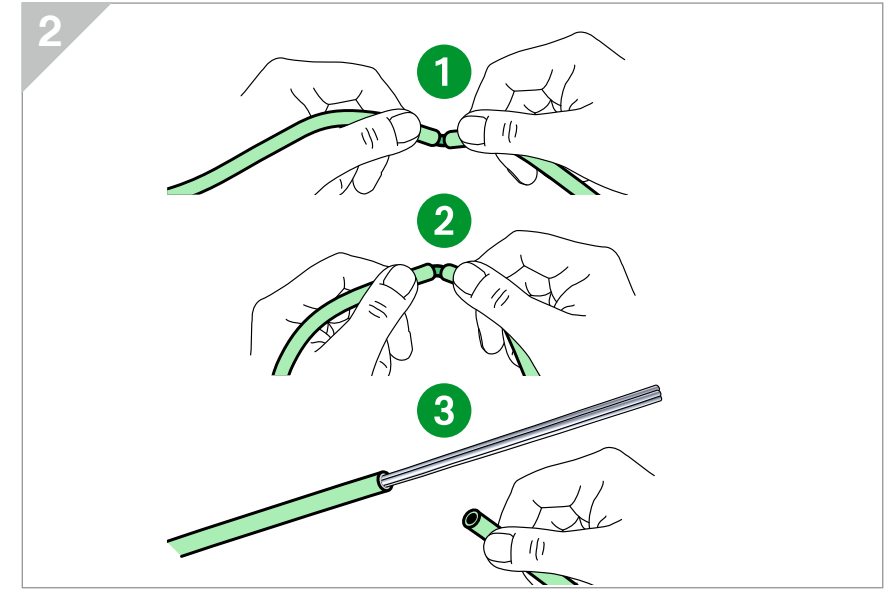
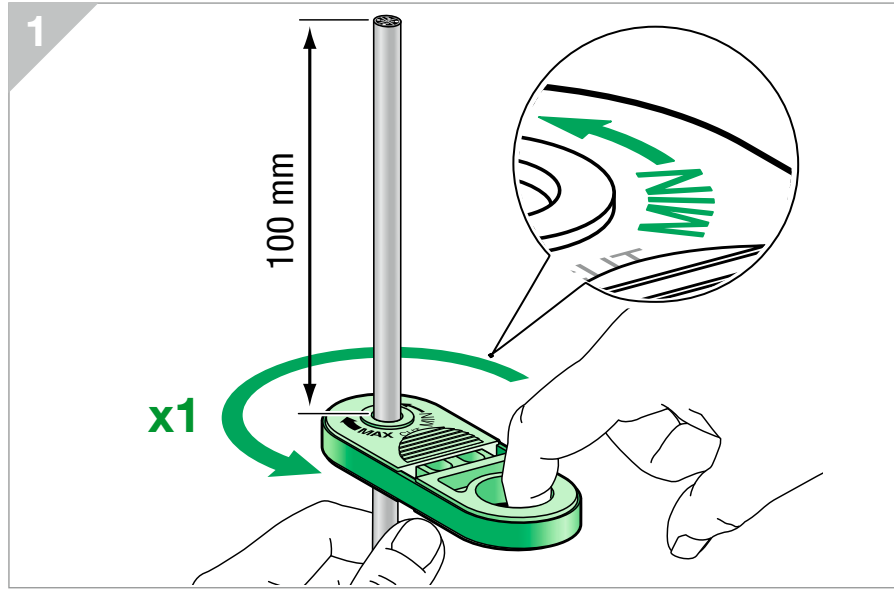
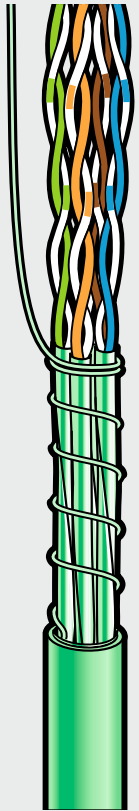
VDIR580020

x1



# Cable preparation

## U/FTP



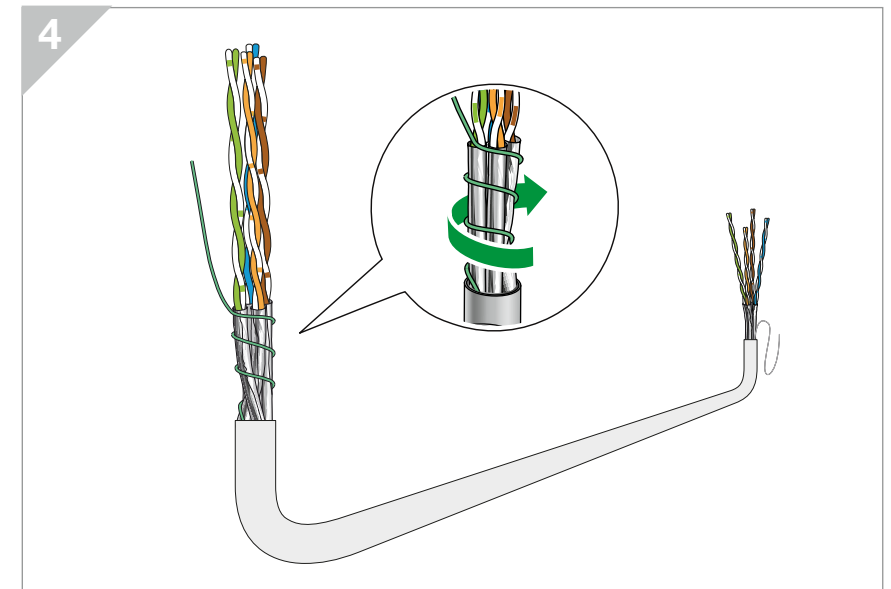
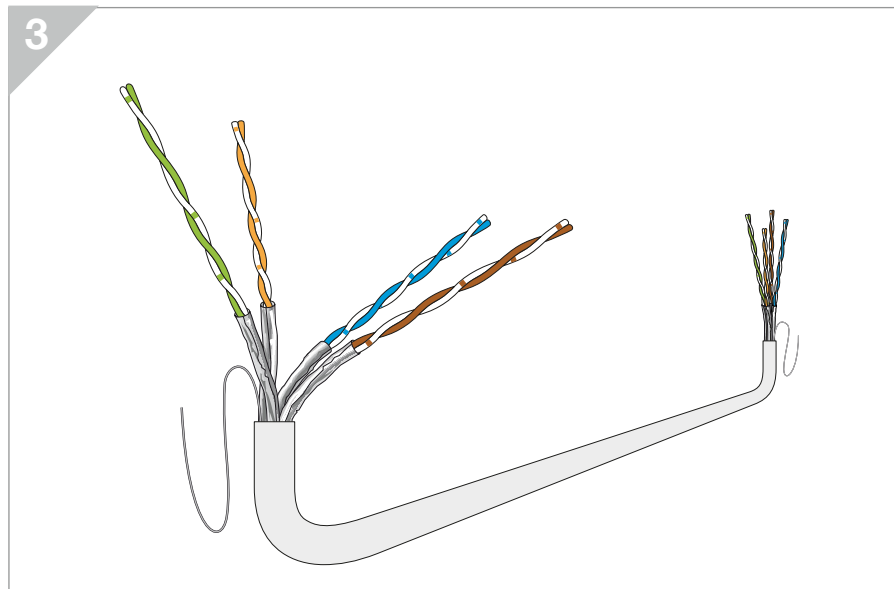
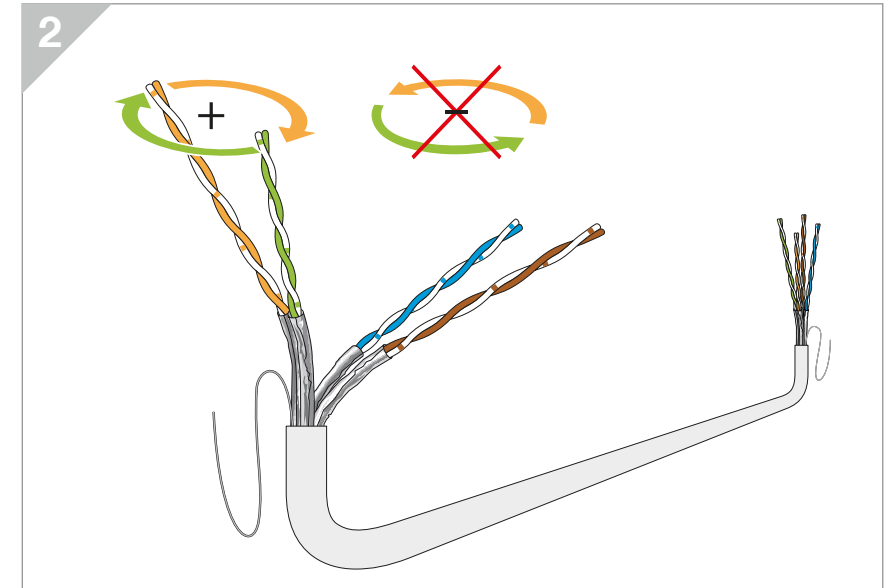
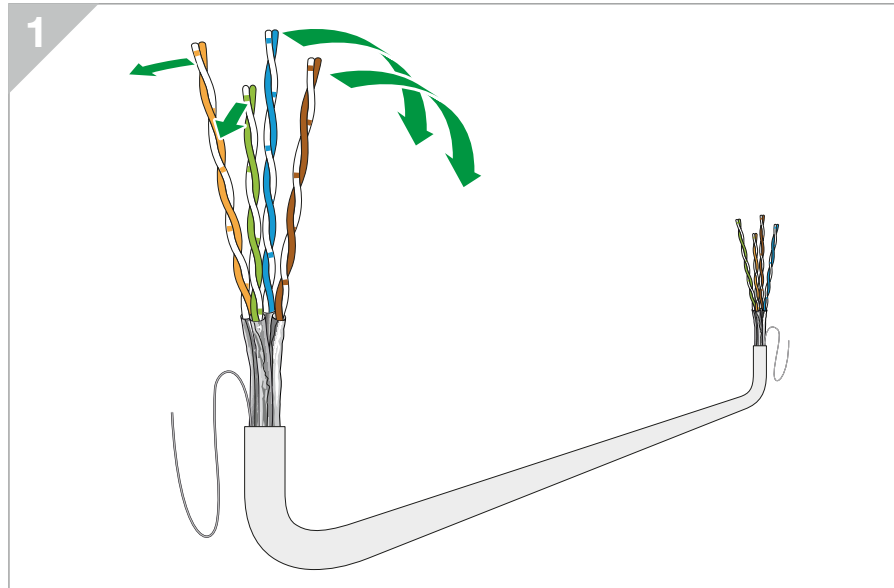
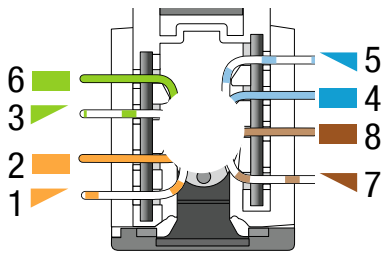


## Pairs crossing

### U/FTP

How to prepare a U/FTP cable acc. to T568B wiring code to reach high performance

EIA-TIA 568B (100Ω)



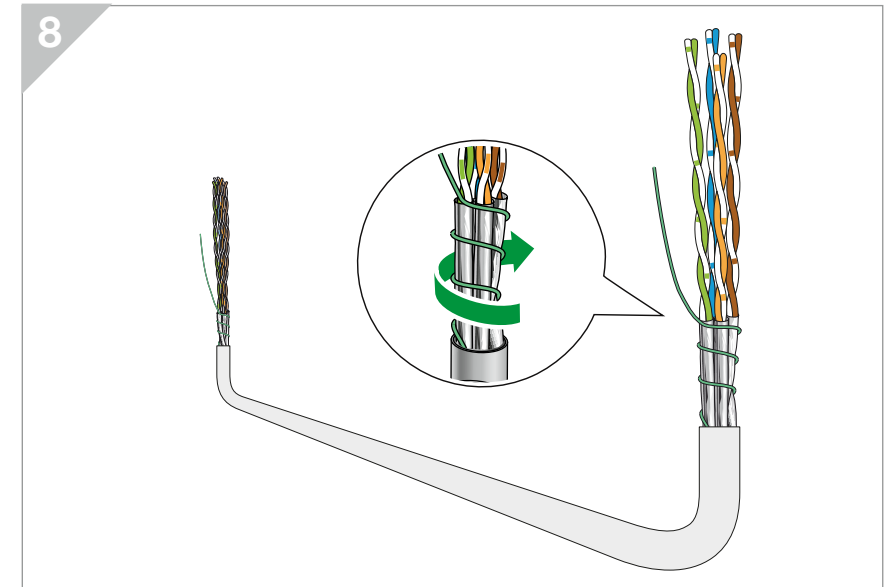
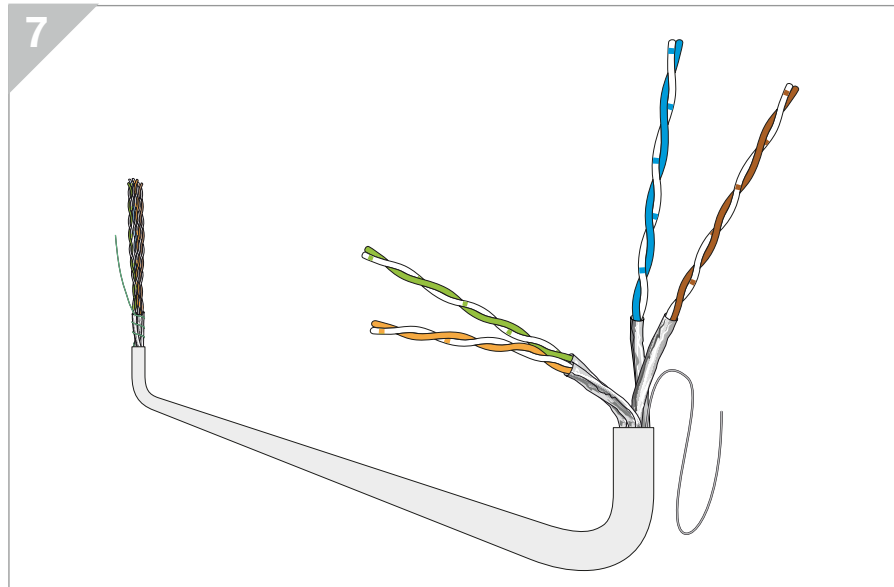
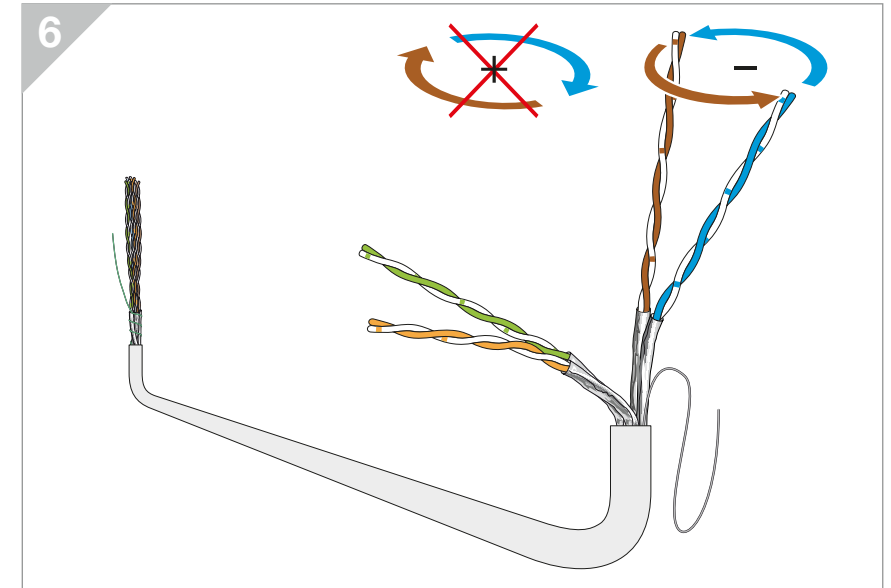
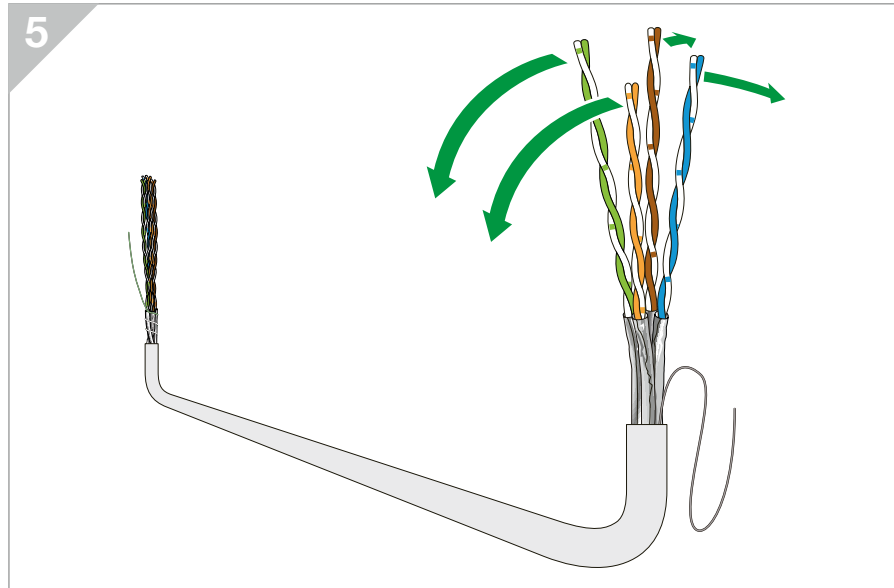
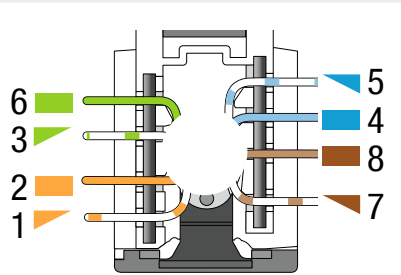


## Pairs crossing

### U/FTP

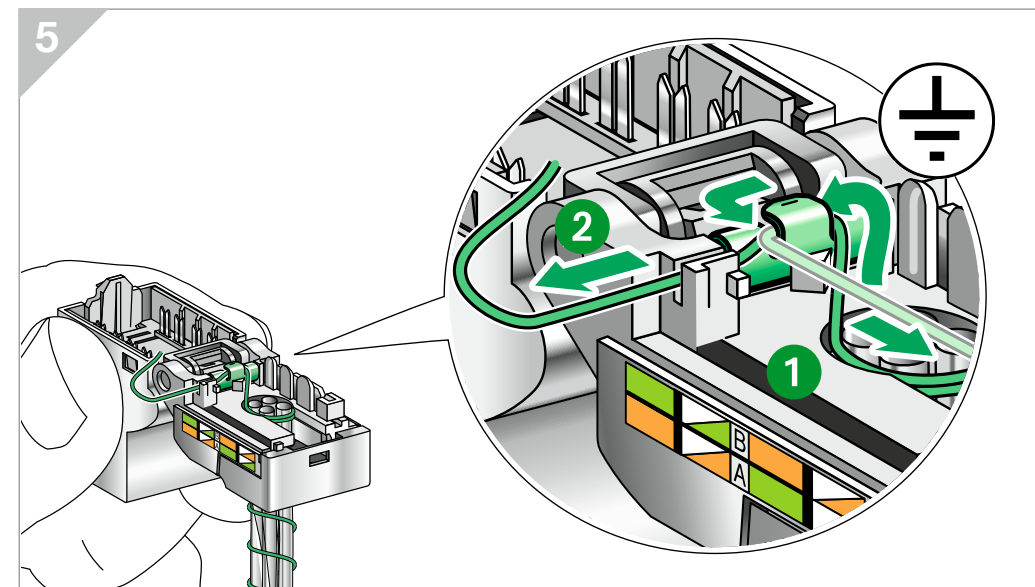
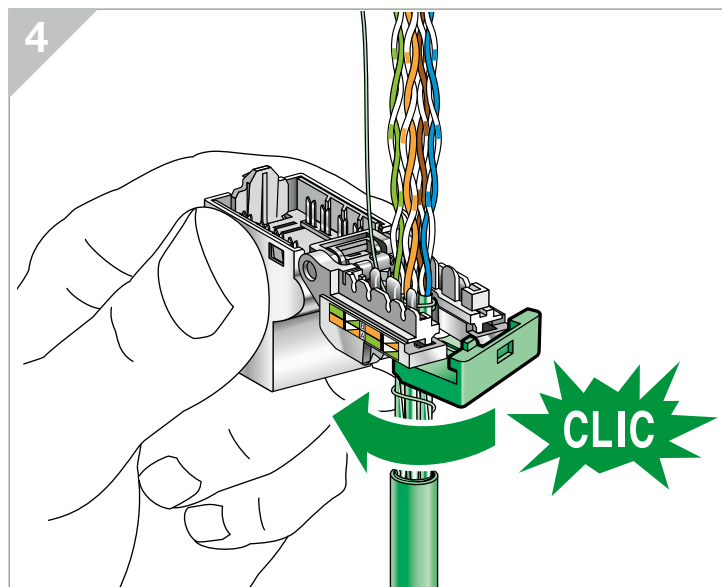
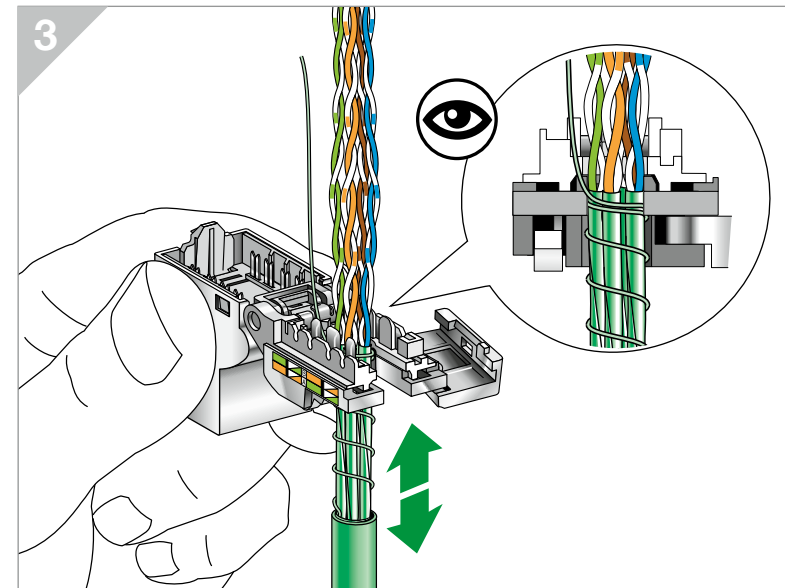
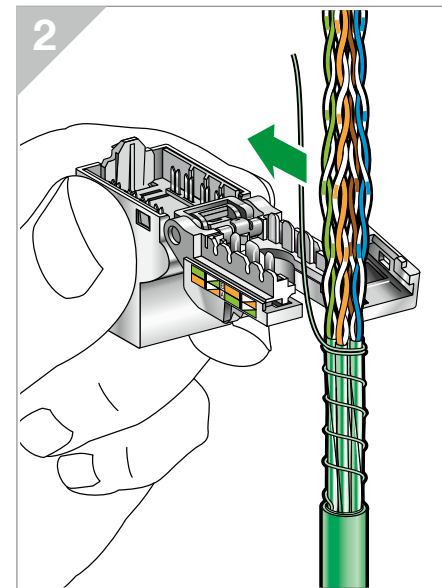
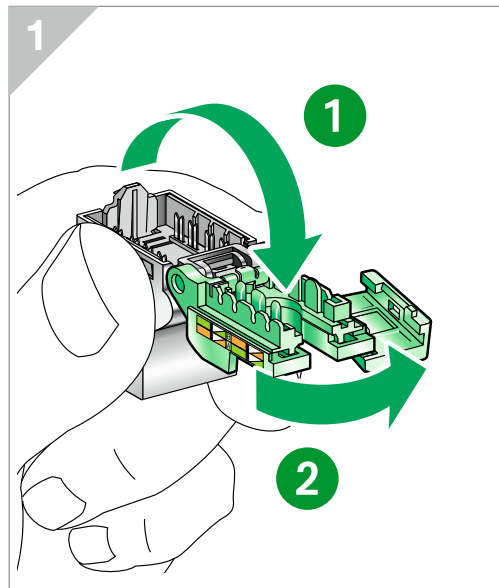
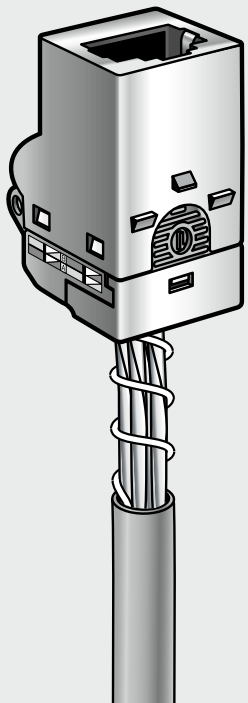
How to prepare a U/FTP cable with EIA-TIA 568B to reach high performance

EIA-TIA 568B (100Ω)



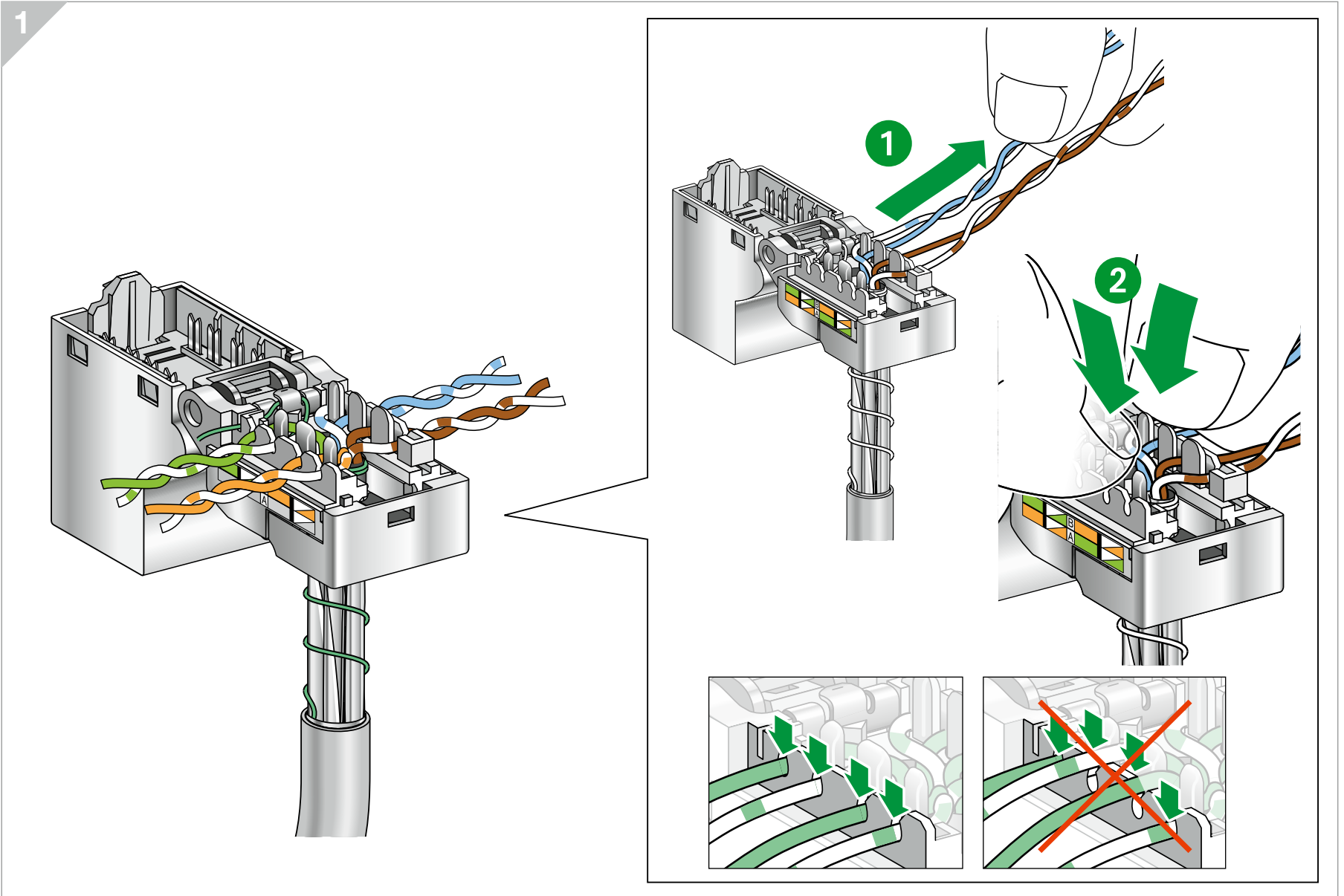
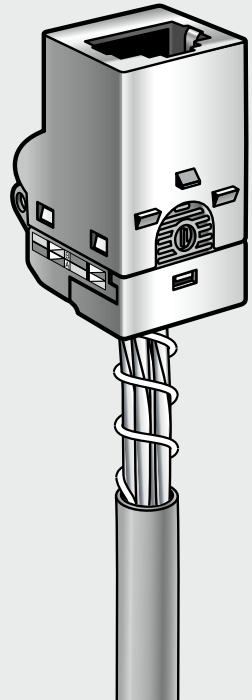
# Connector termination

U/FTP



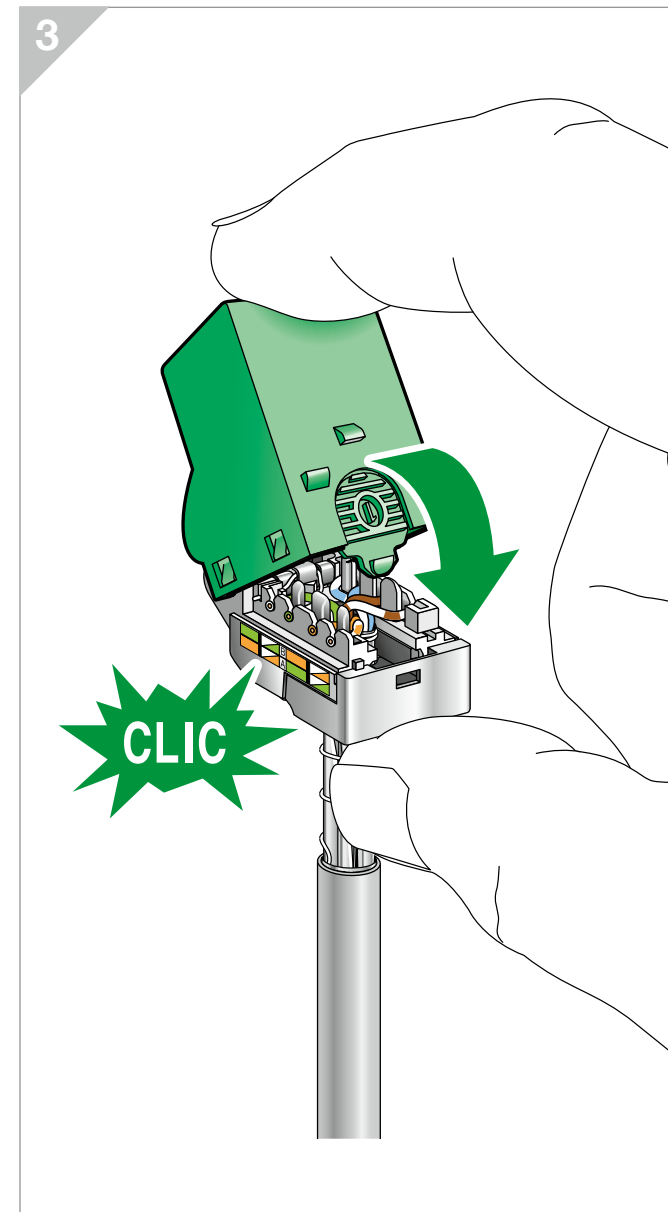
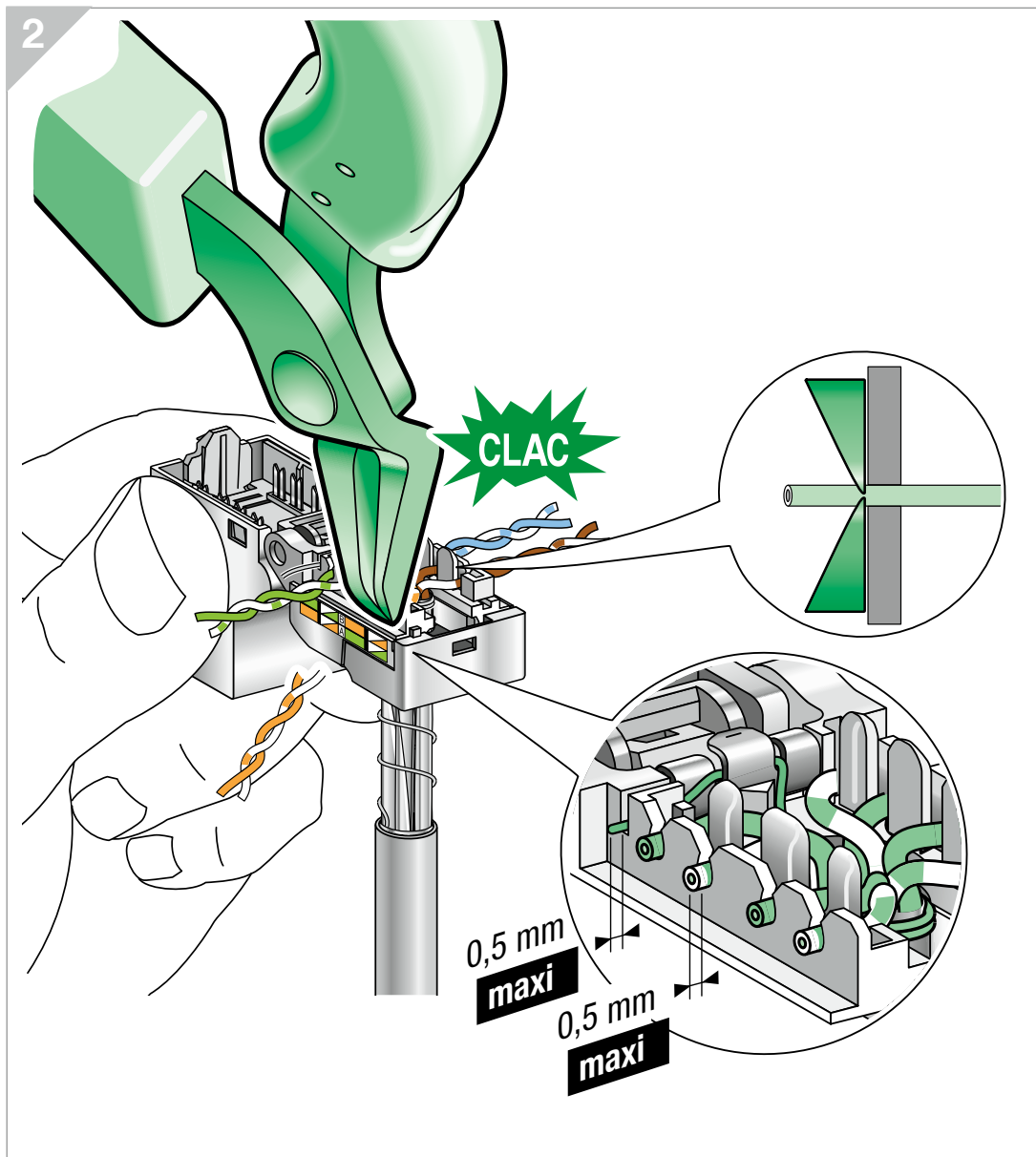
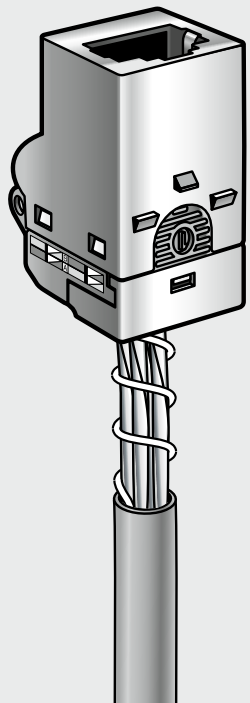
# Connector connection

## U/FTP



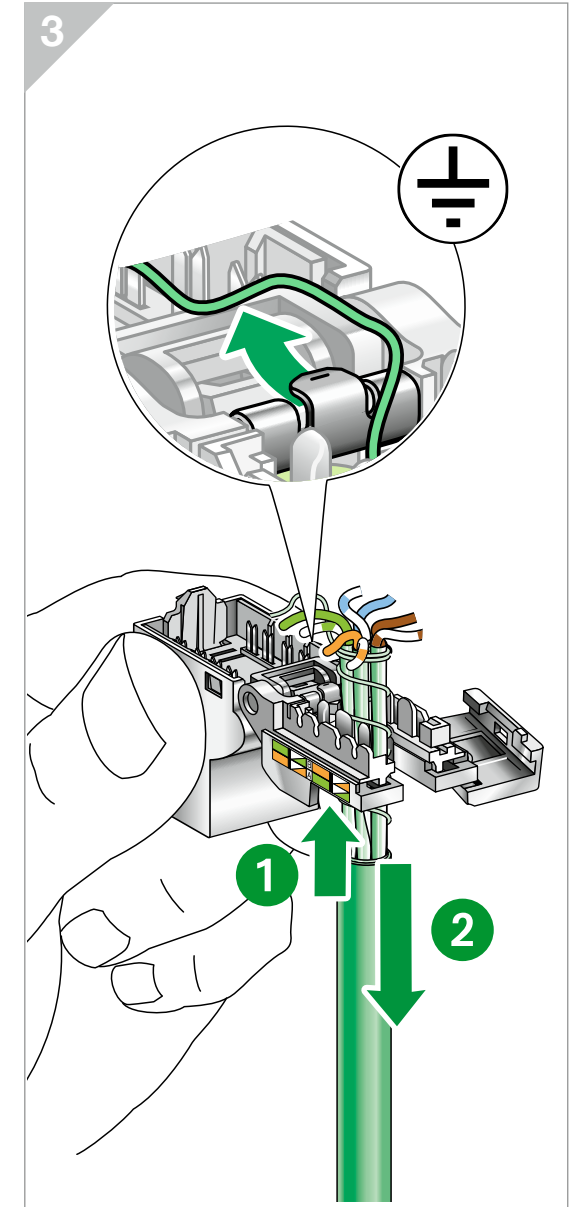
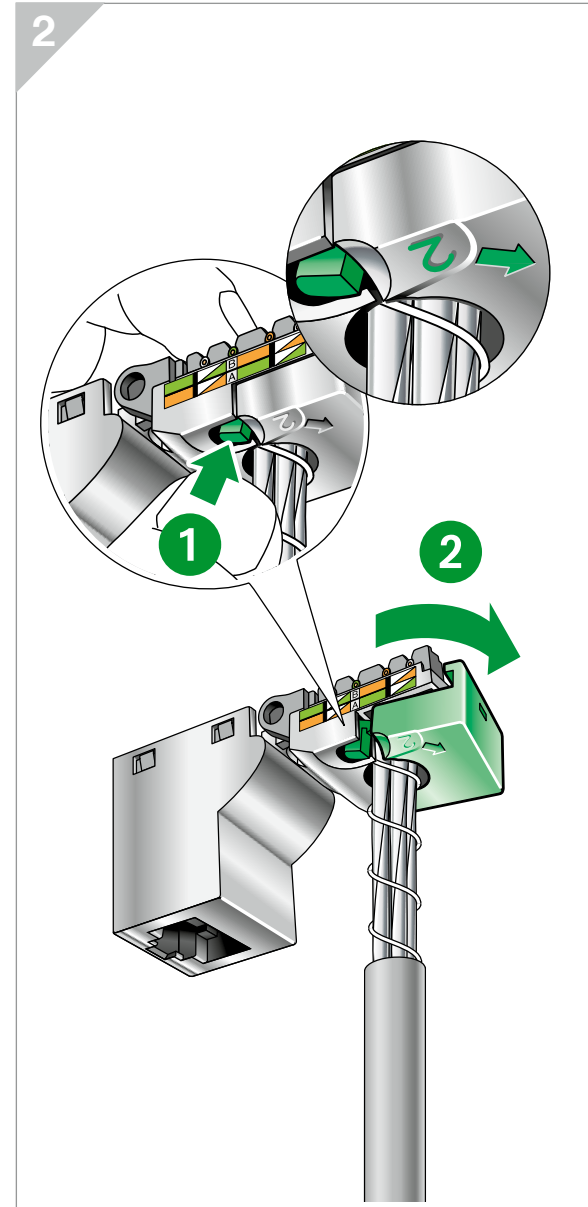
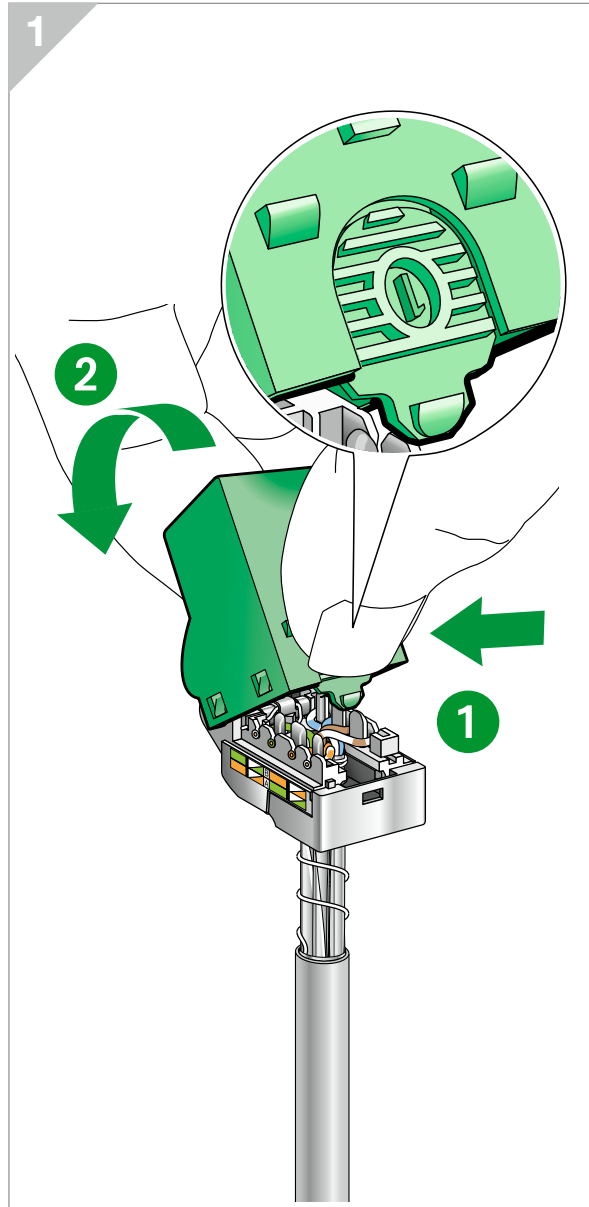
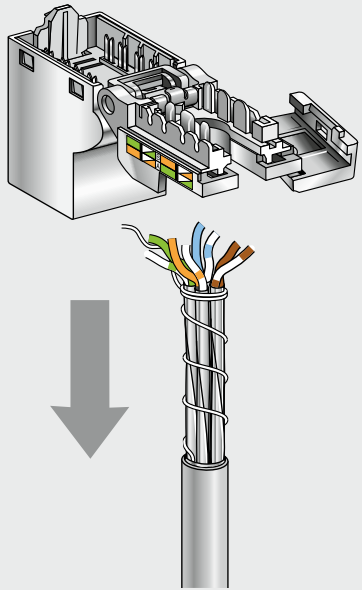
## Connector connection

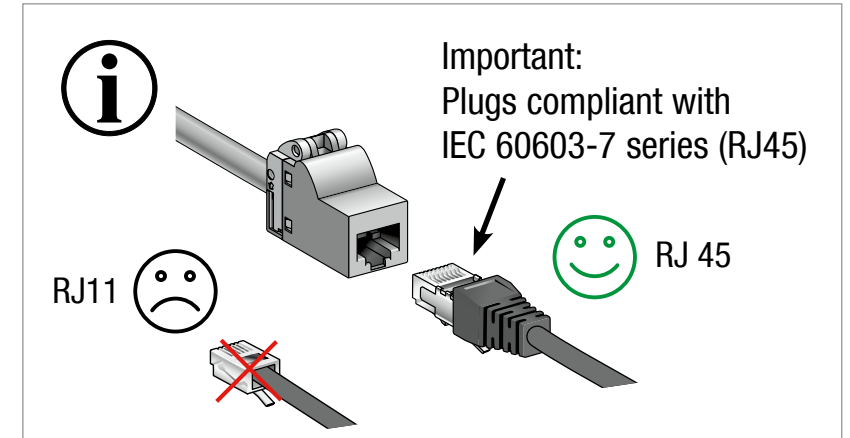
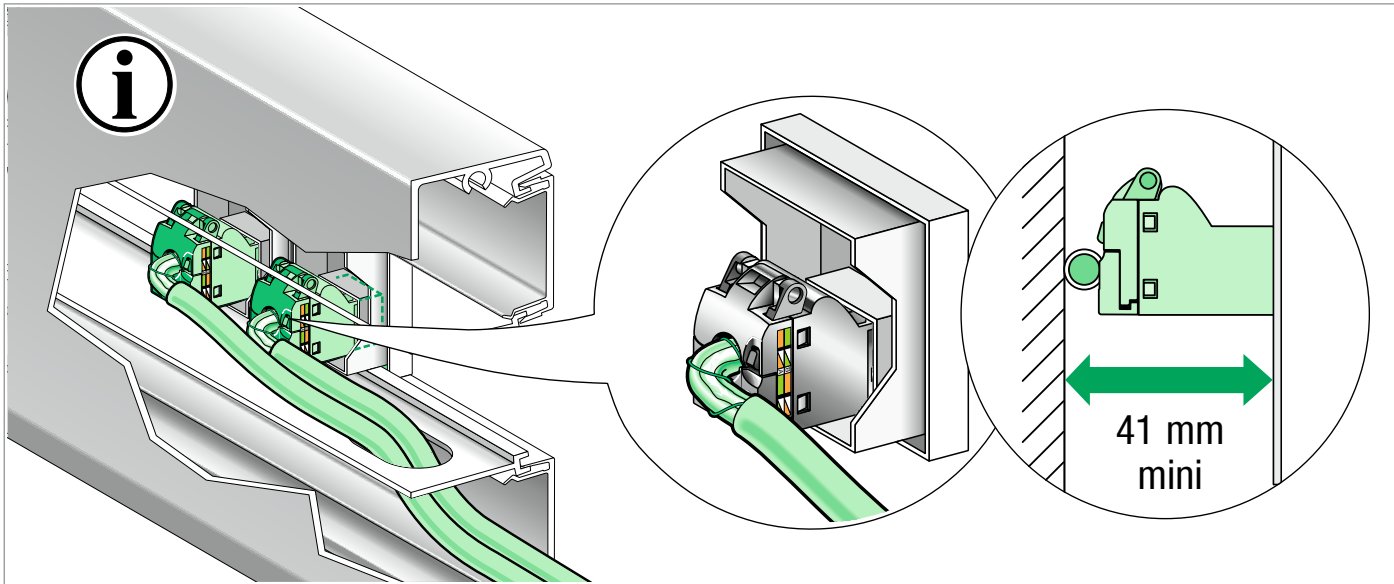
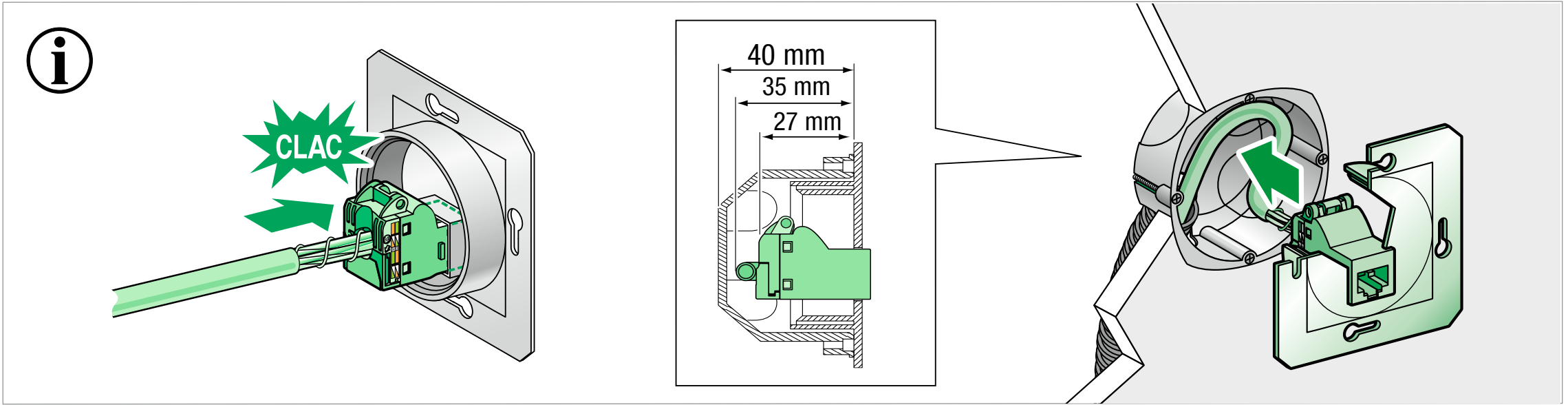
### U/FTP



# Connector disconnection

U/FTP



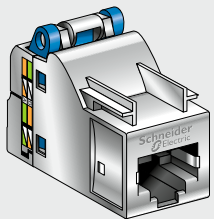




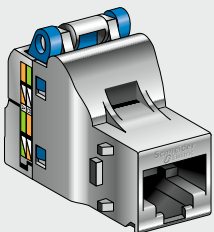
# Composition

## Shielded connector

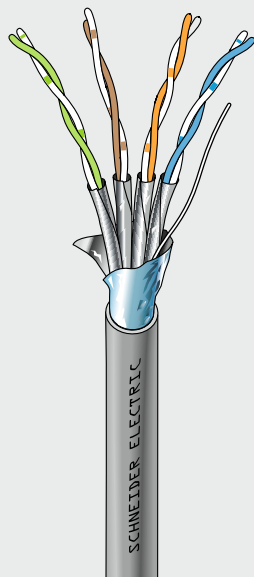
S-One



S-One DPM

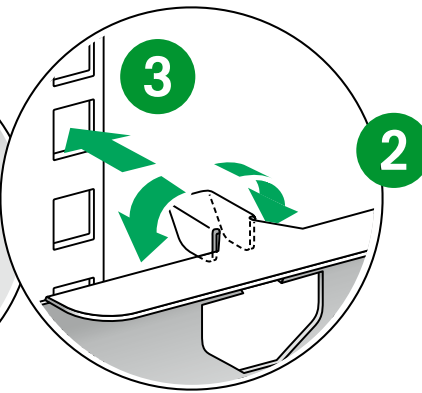
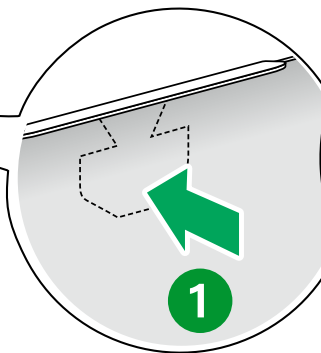
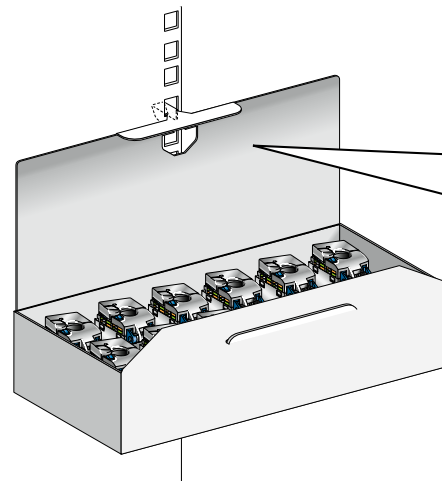
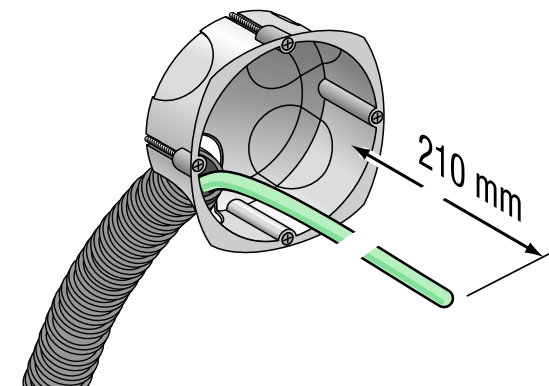


## F/FTP



VDIR580020

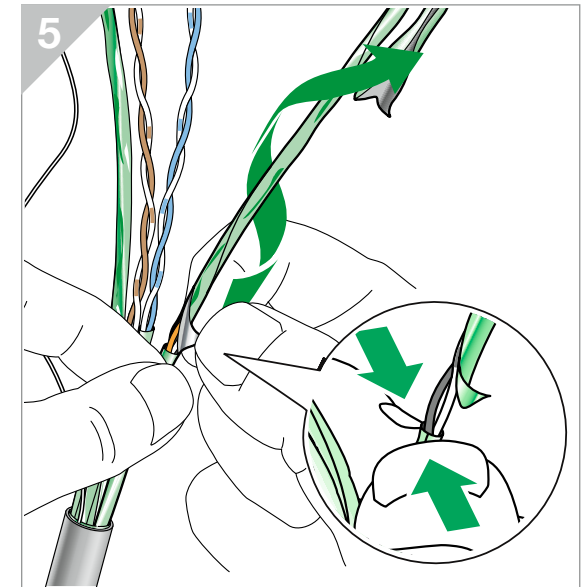
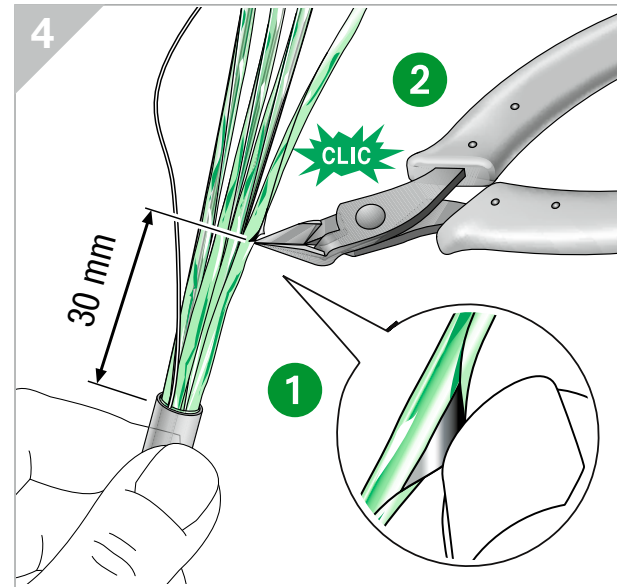
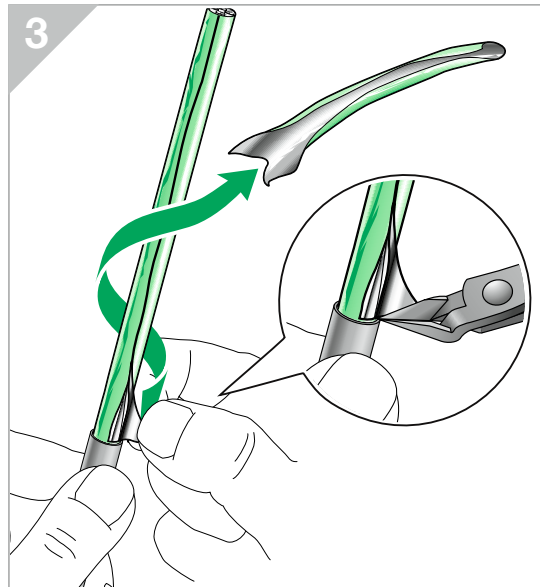
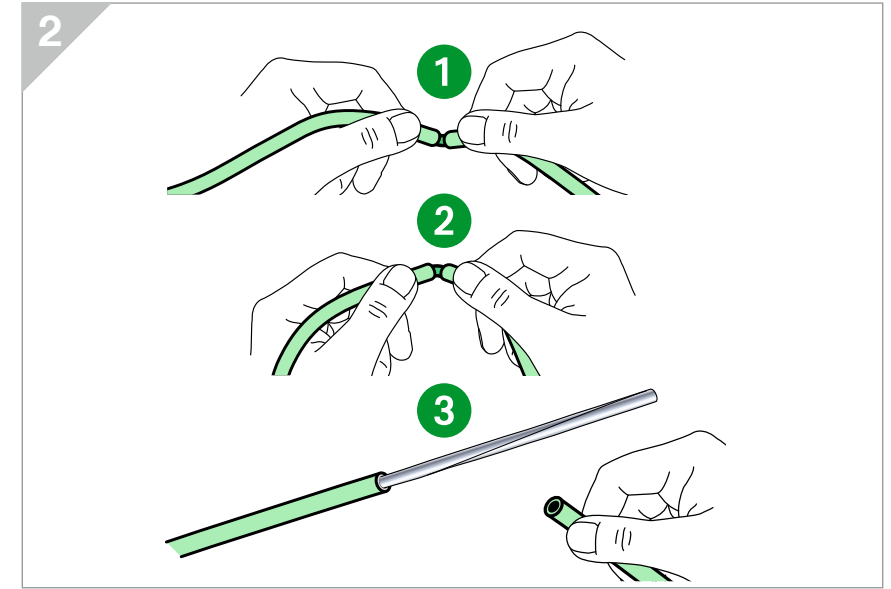
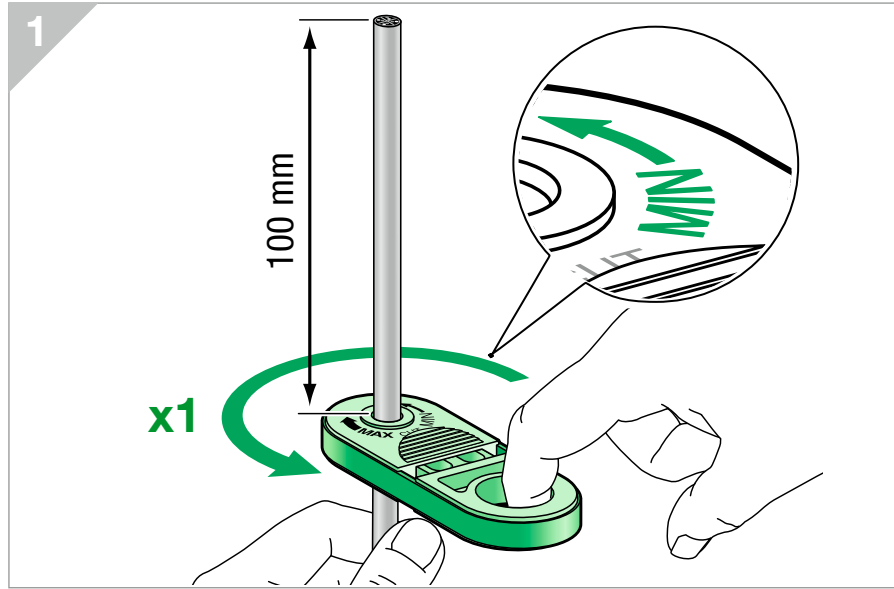
x1





# Cable preparation

## F/FTP

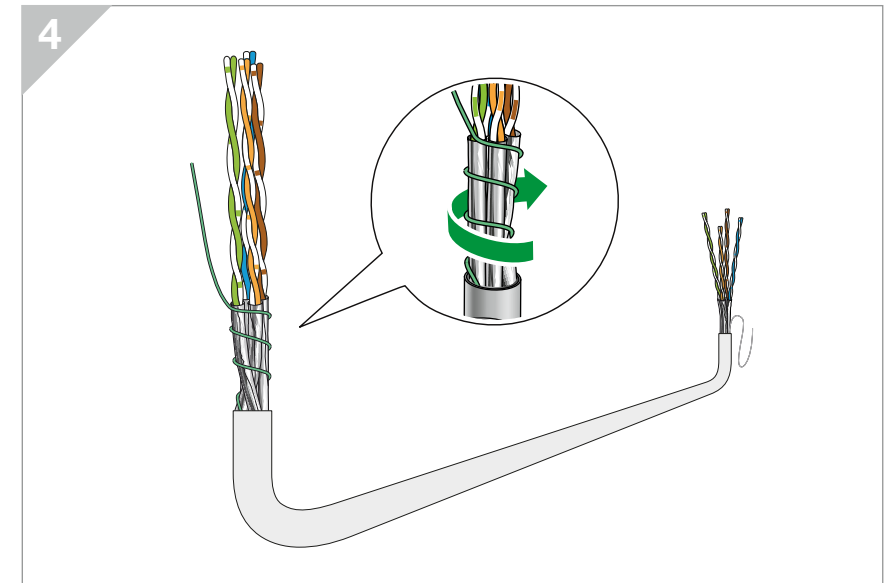
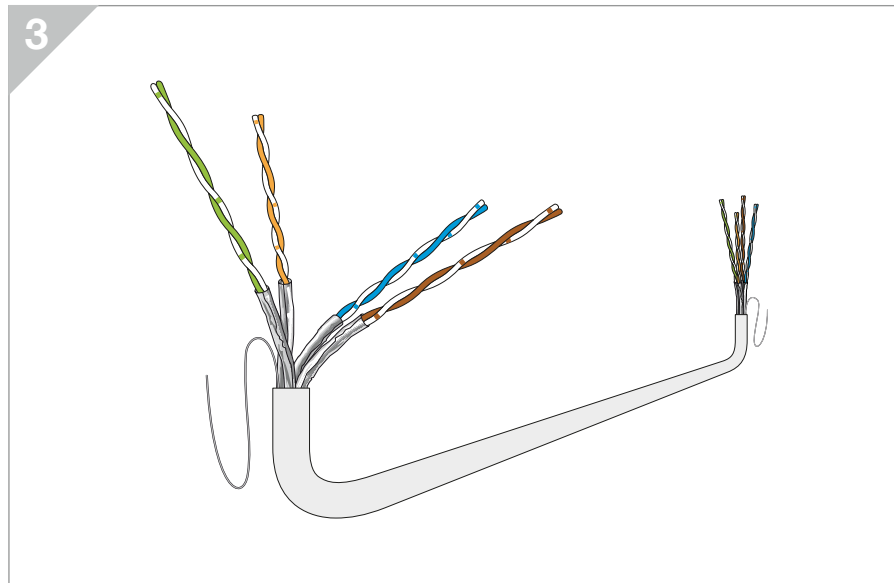
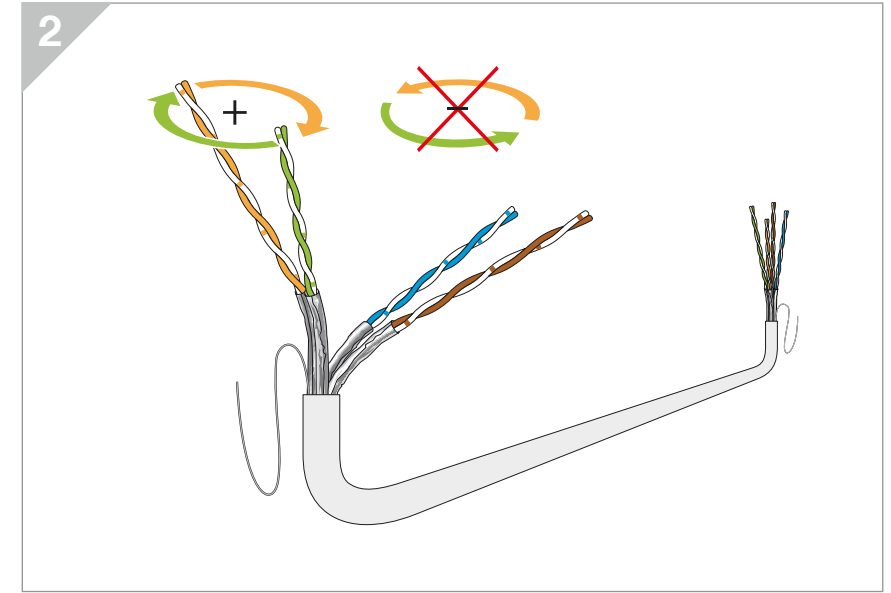
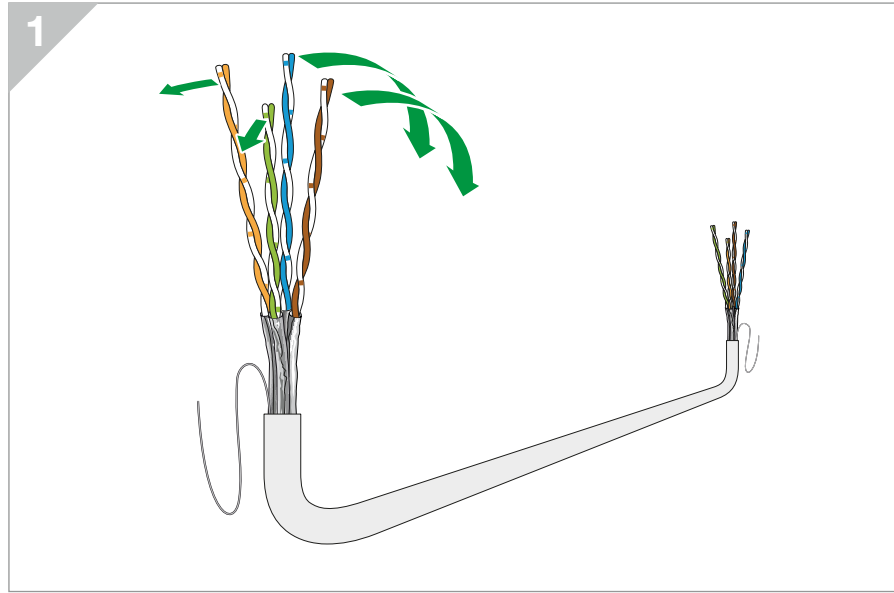
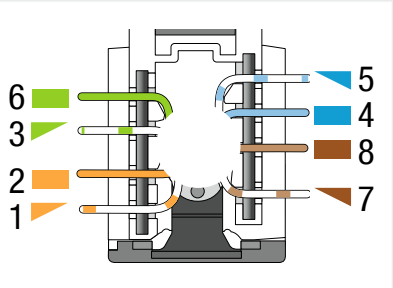


## Pairs crossing

### F/FTP

How to prepare a F/FTP cable acc. to T568B wiring code to reach high performance

EIA-TIA 568B (100Ω)

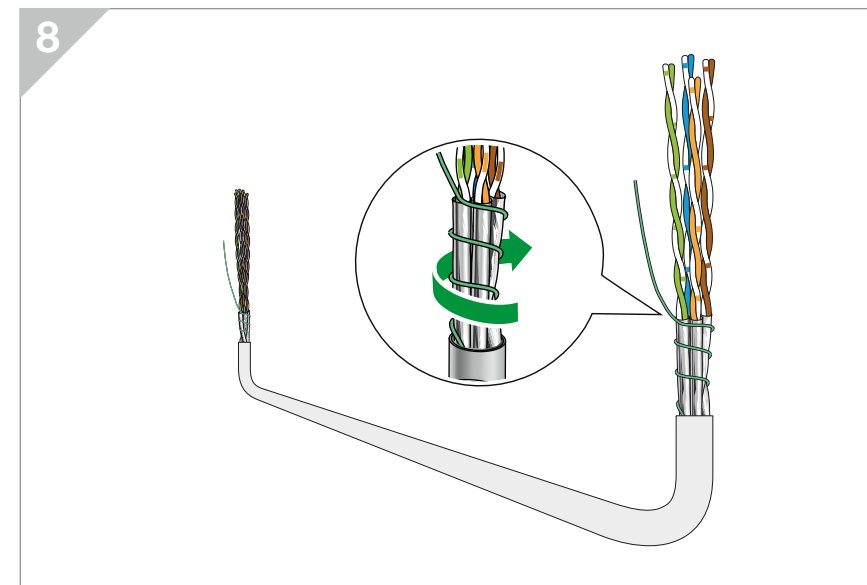
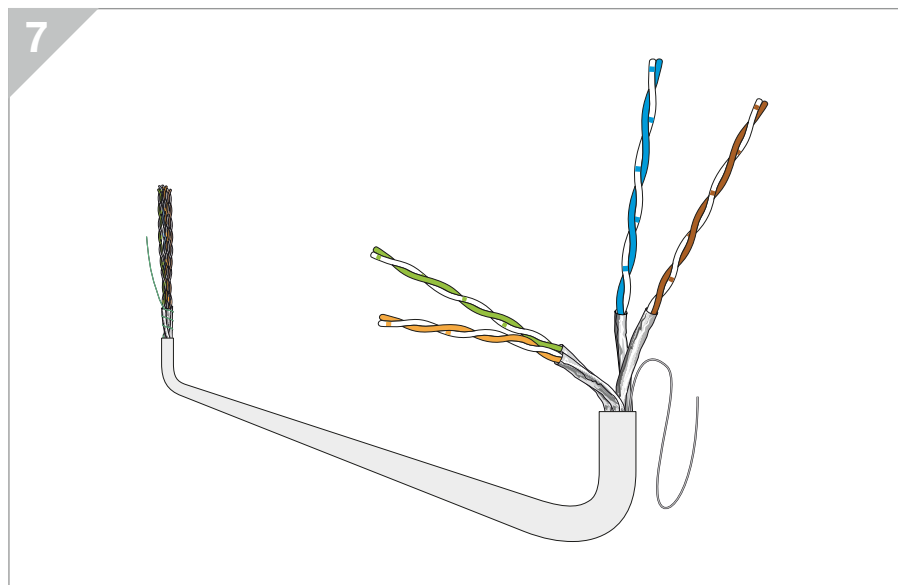
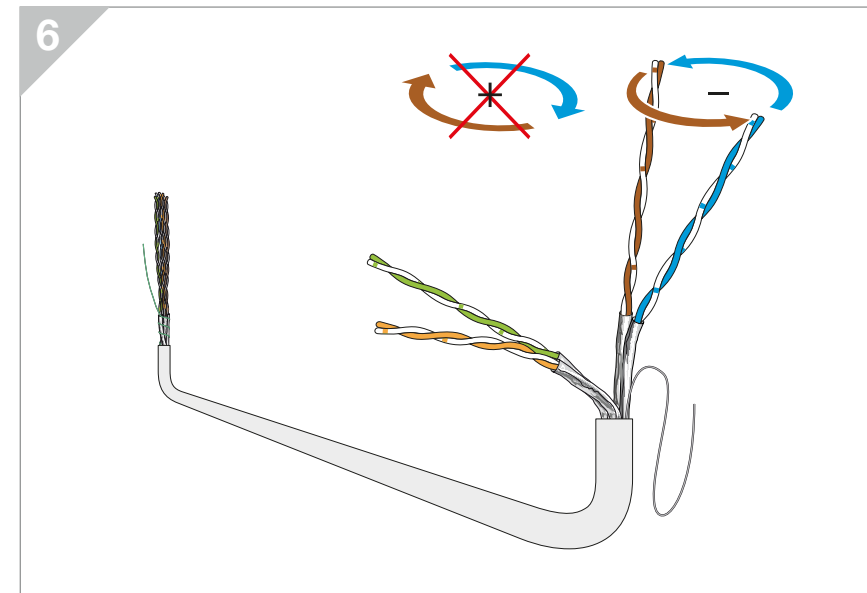
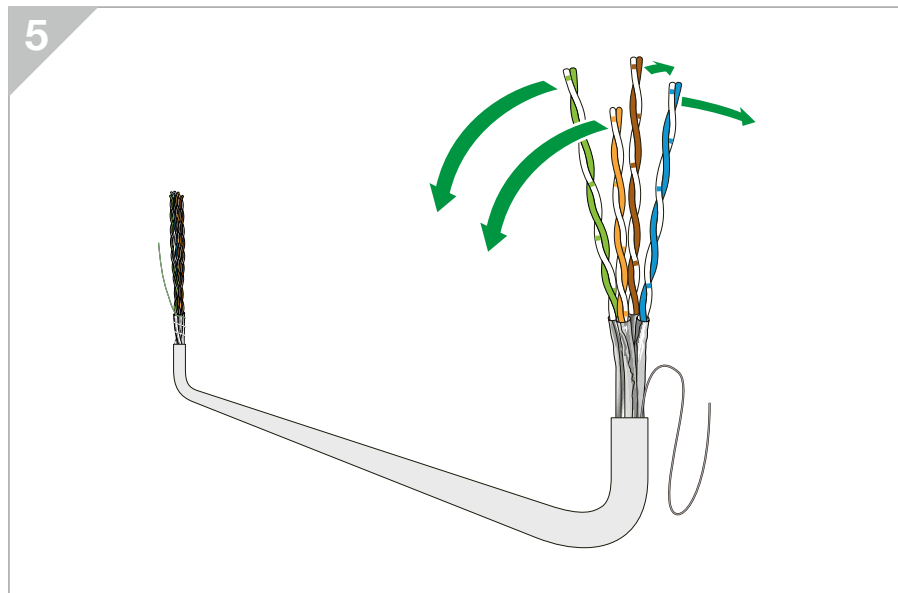
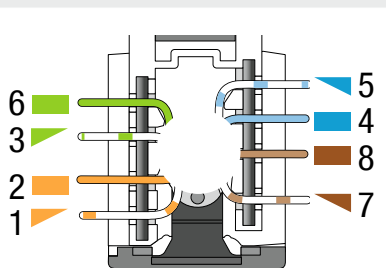


# Pairs crossing

## F/FTP

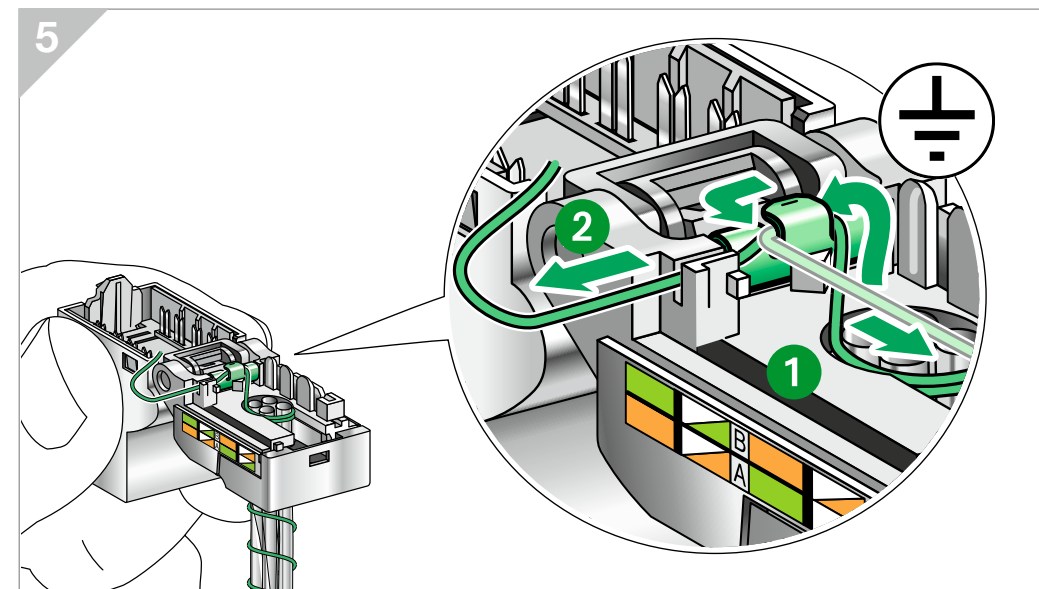
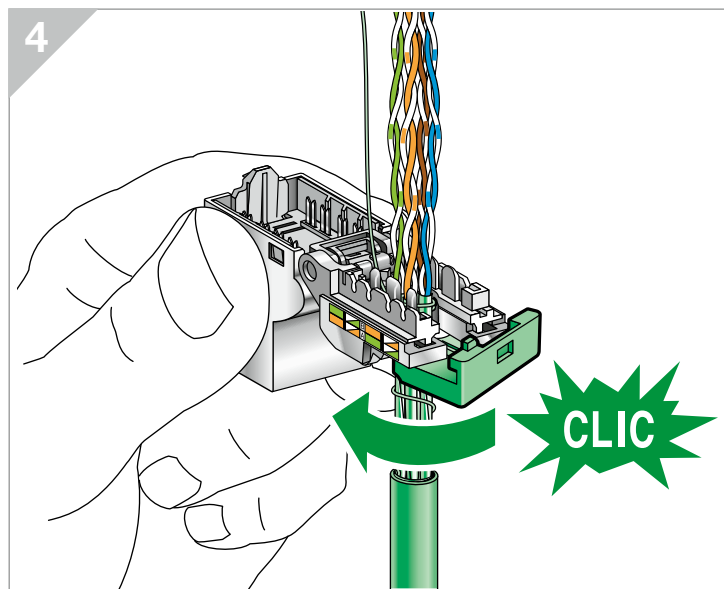
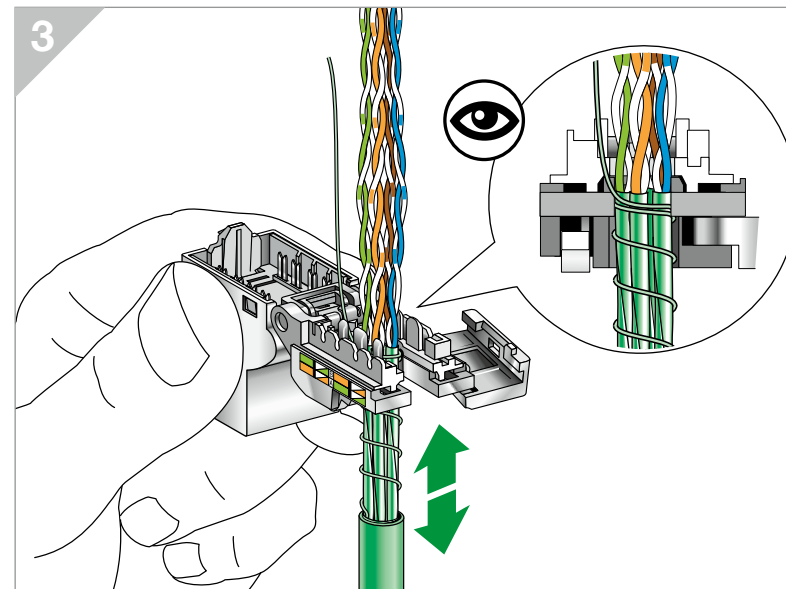
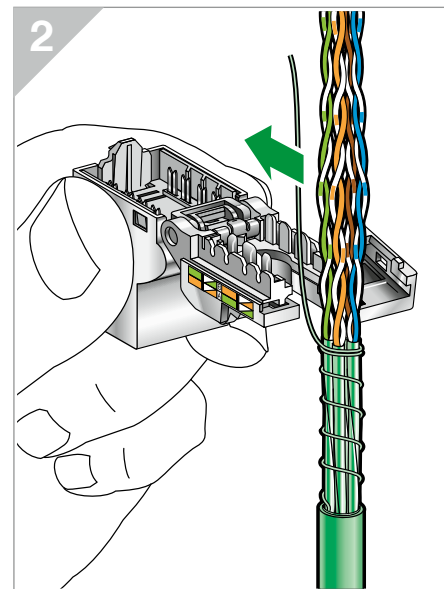
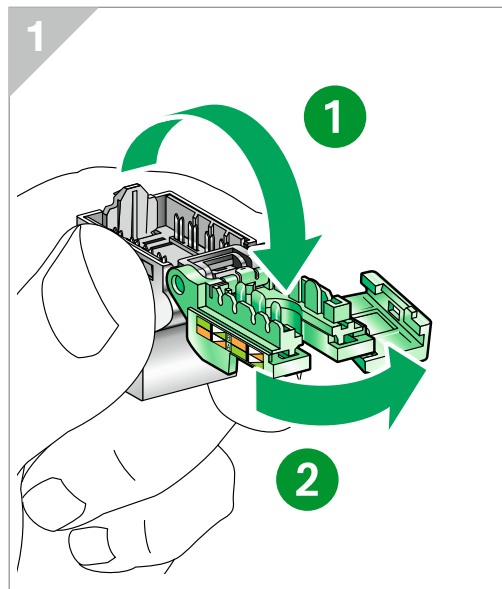
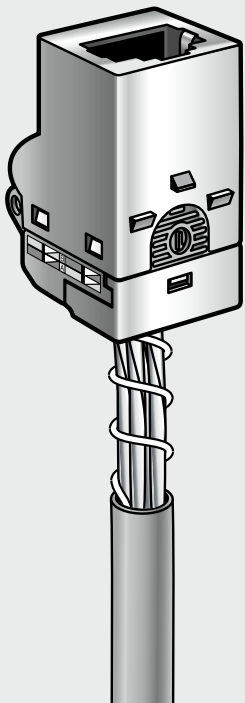
How to prepare a F/FTP cable acc. to T568B wiring code to reach high performance

**EIA-TIA 568B (100Ω)**



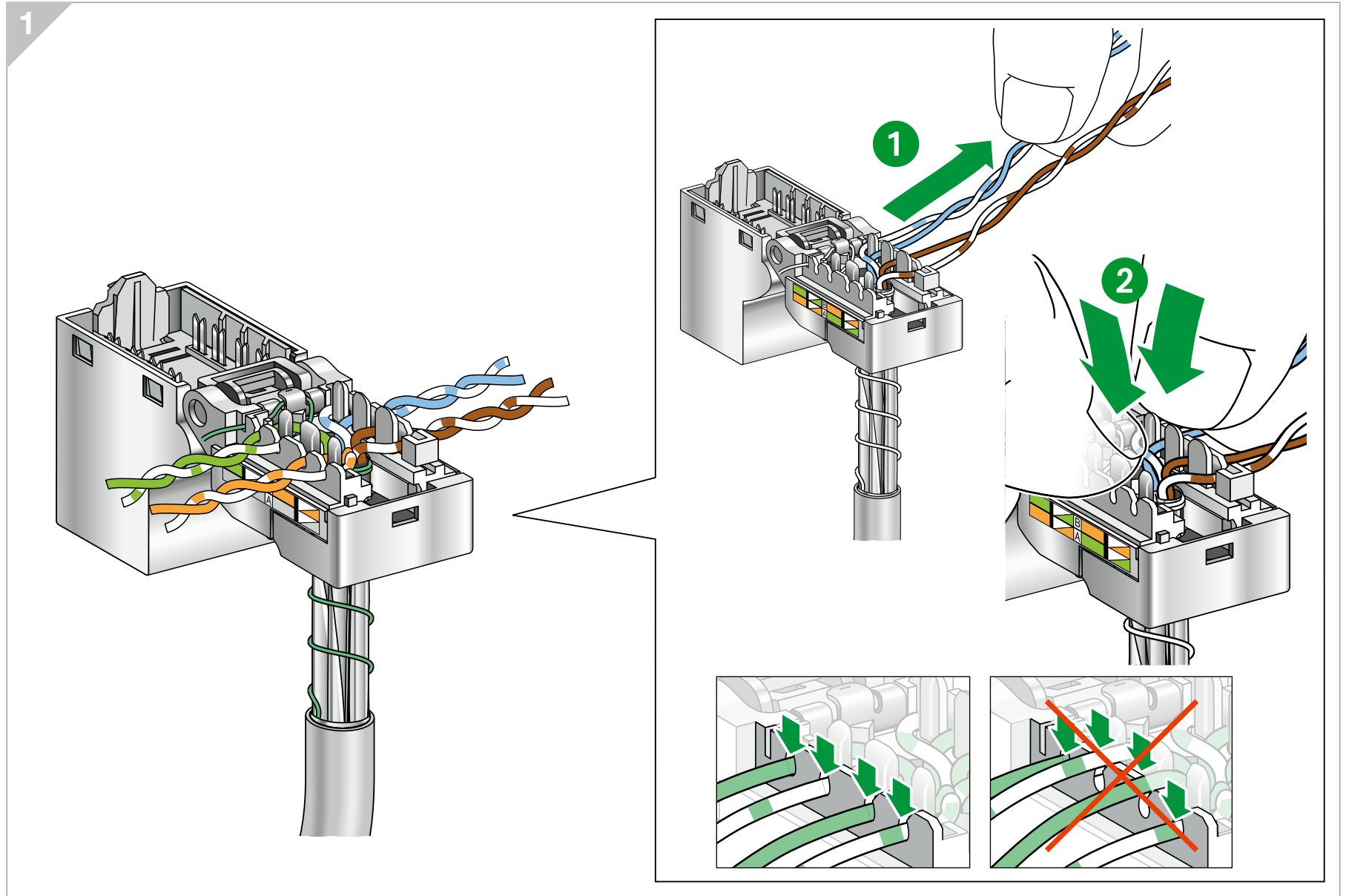
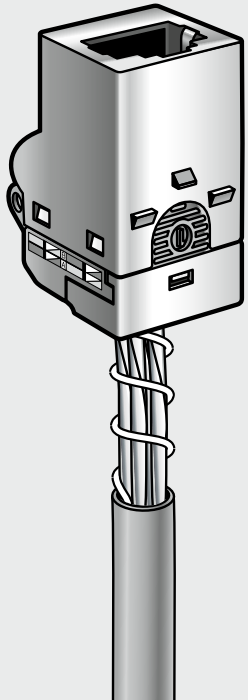
# Connector termination

F/FTP



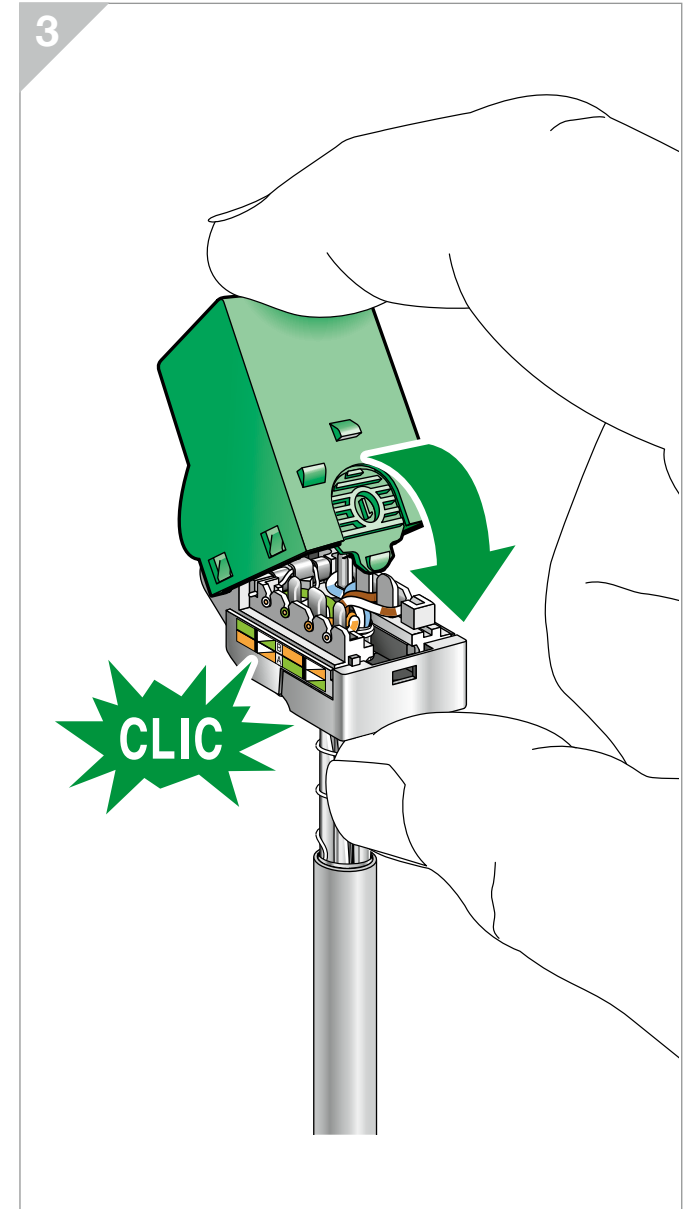
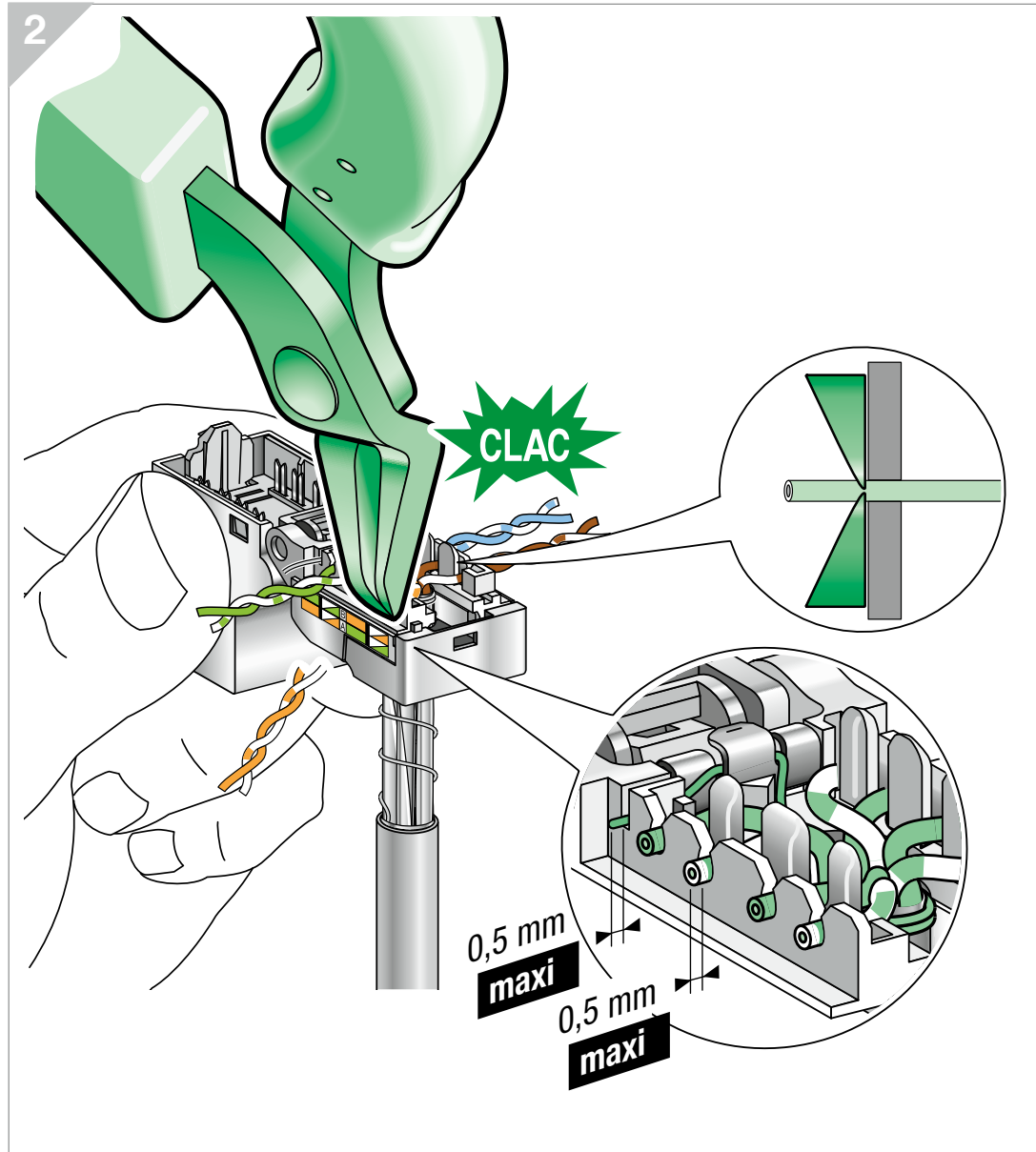
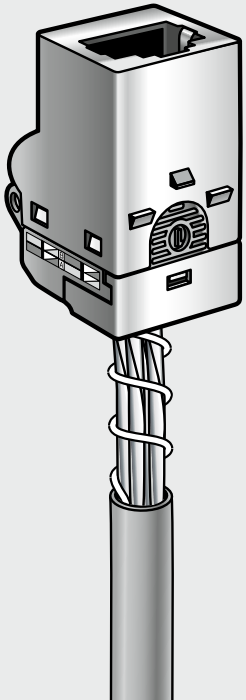
# Connector connection

F/FTP



## Connector connection

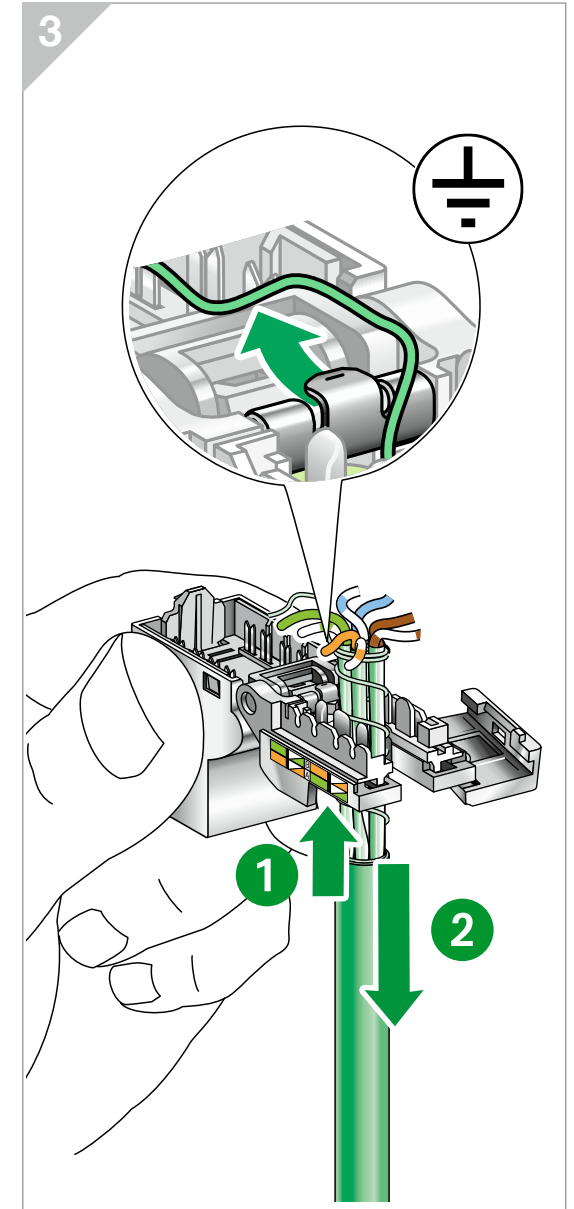
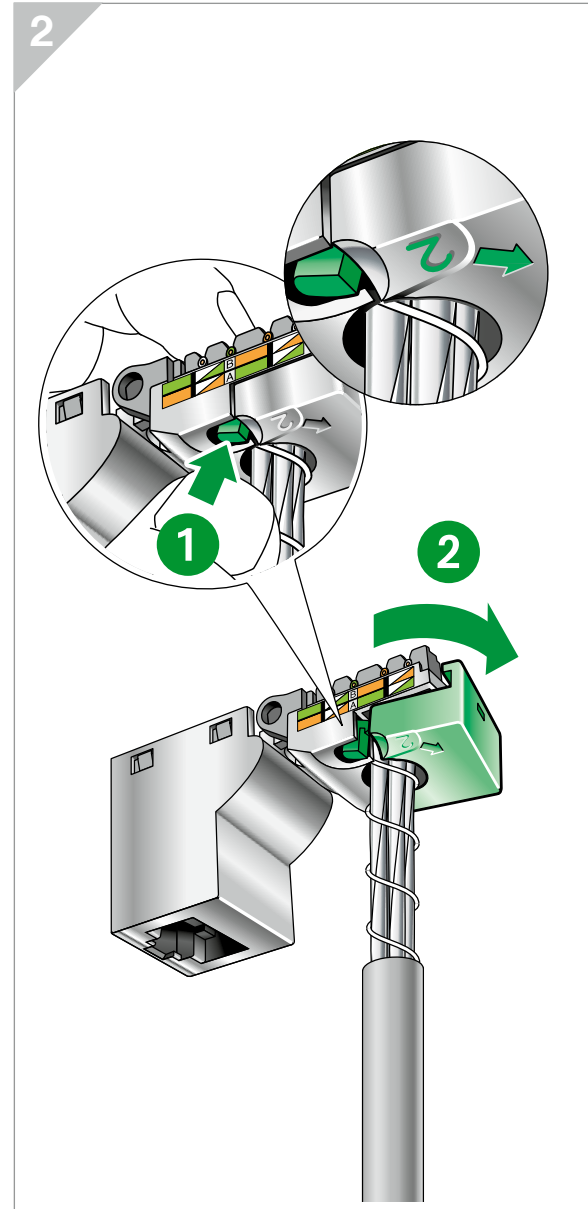
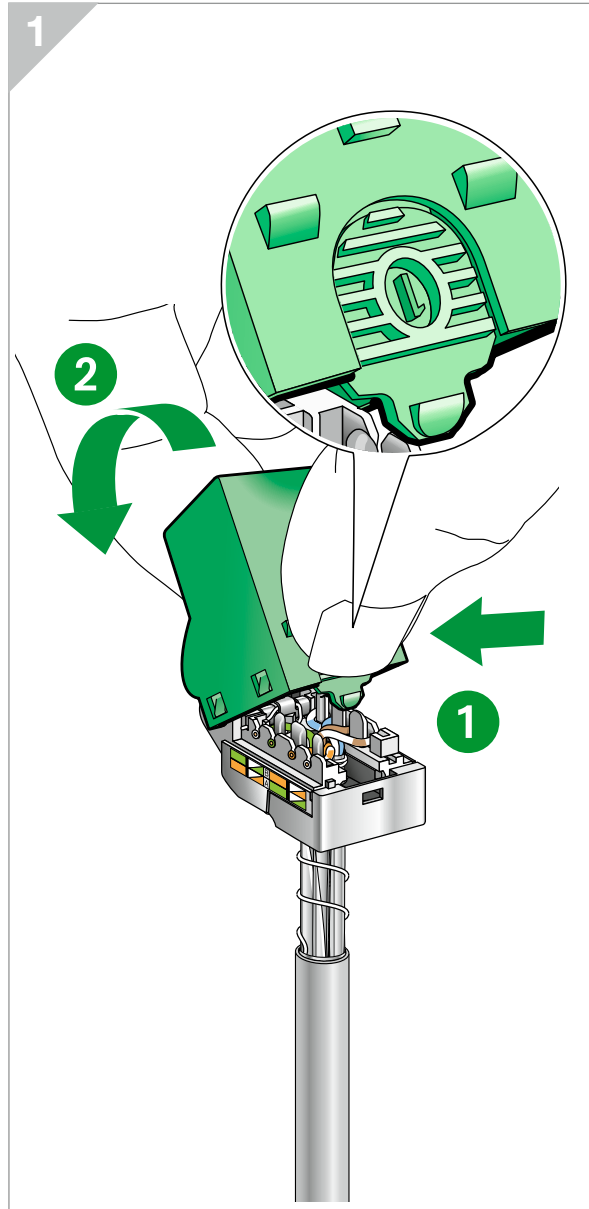
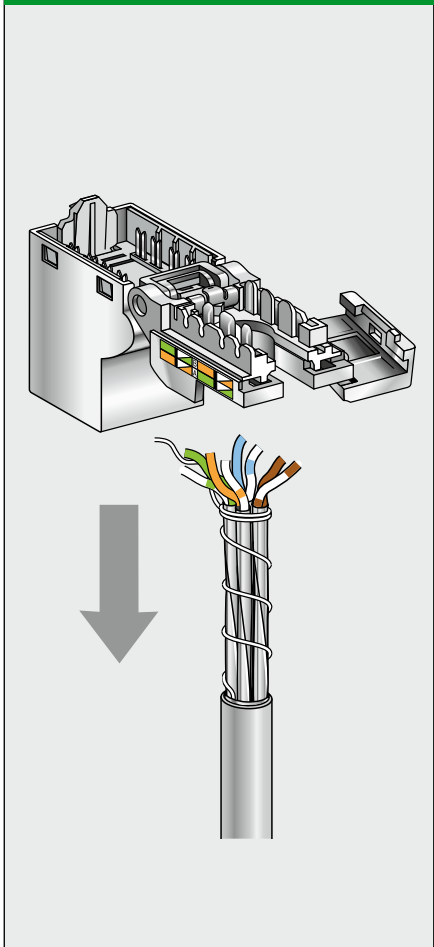
F/FTP



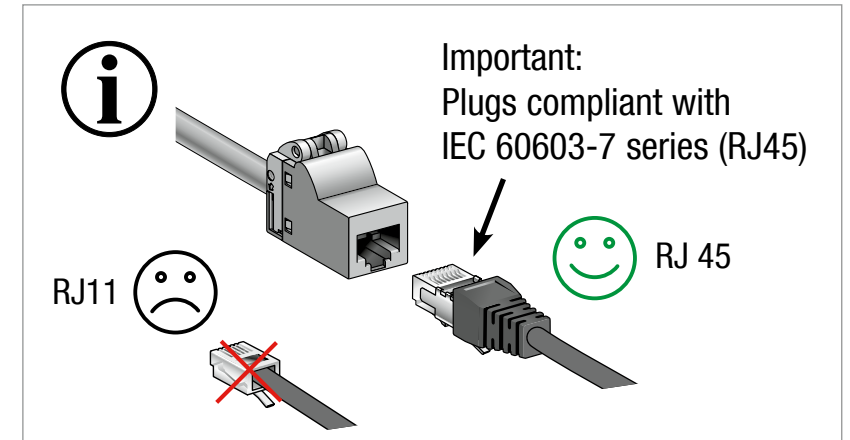
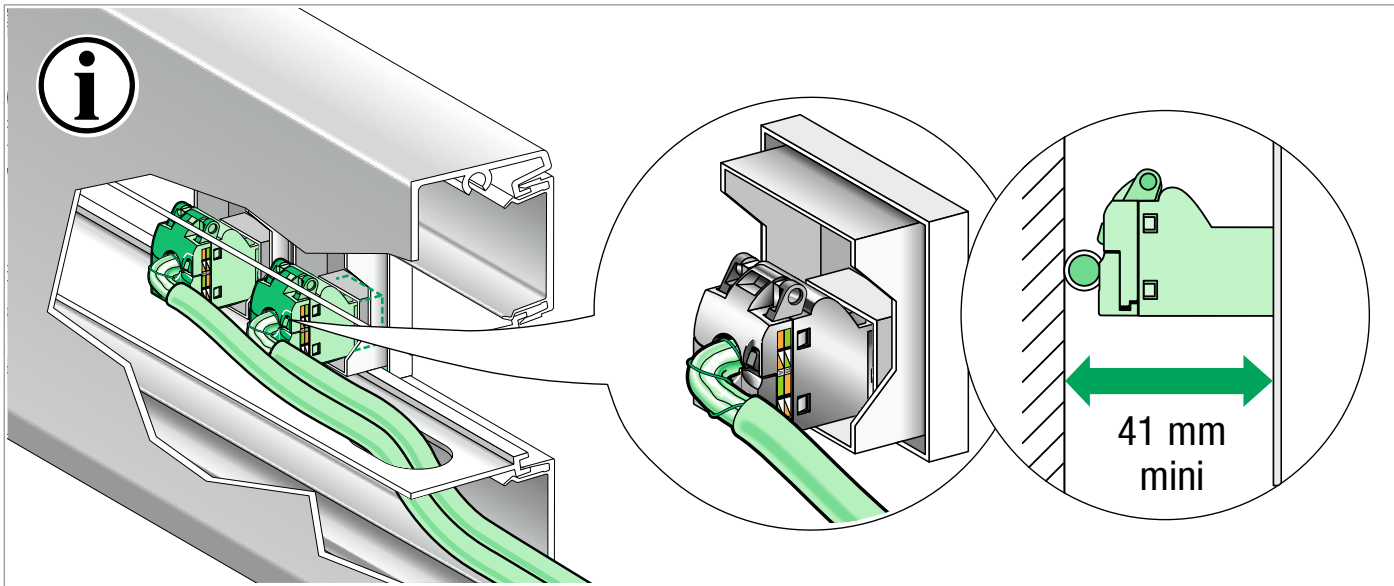
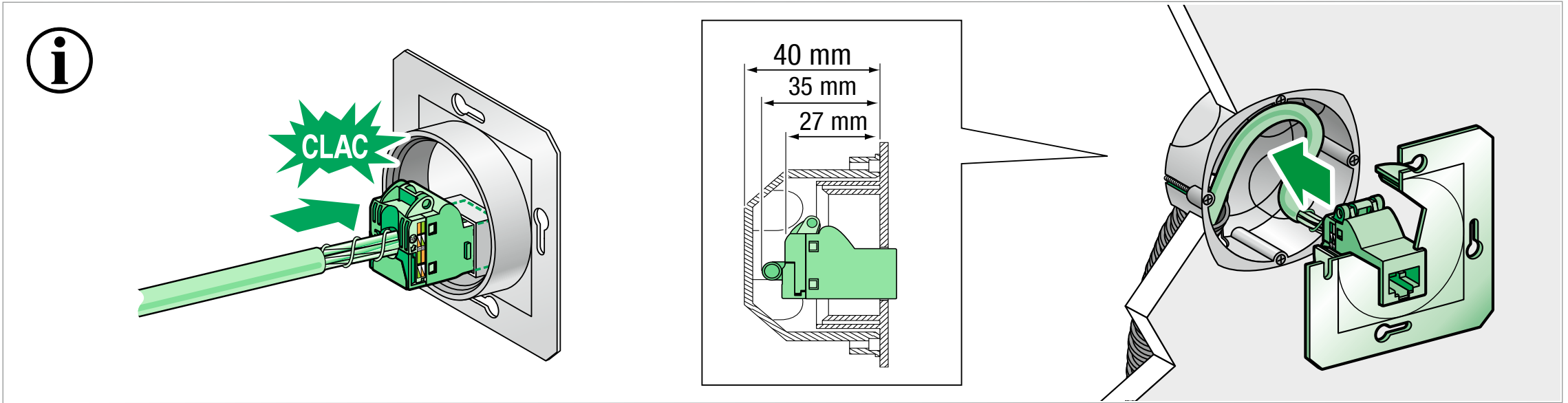


## Connector disconnection

F/FTP



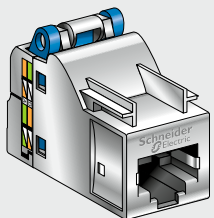




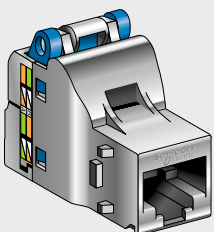
## Composition

### Shielded connector

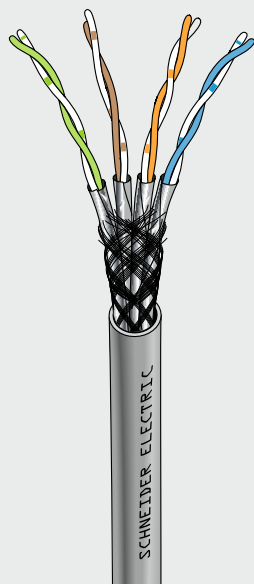
S-One



S-One DPM

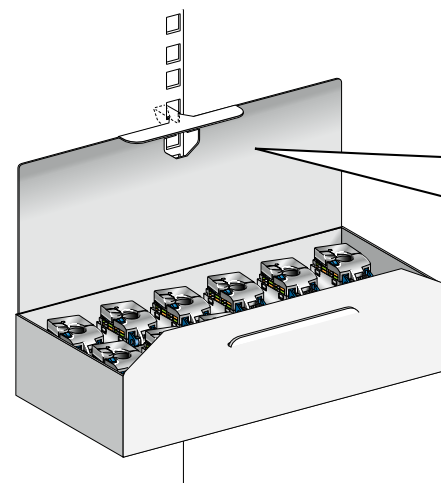
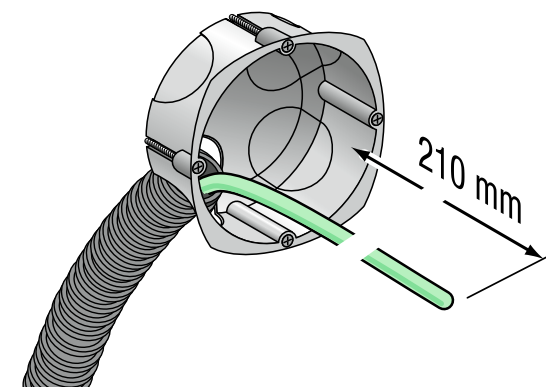


### S/FTP



VDIR580020

x1



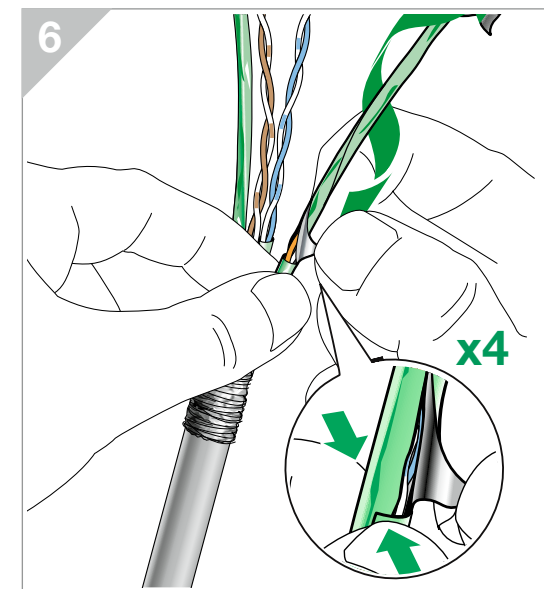
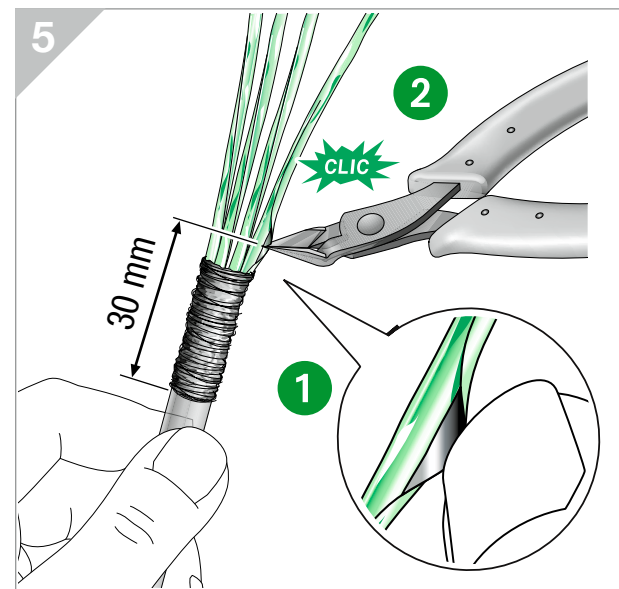
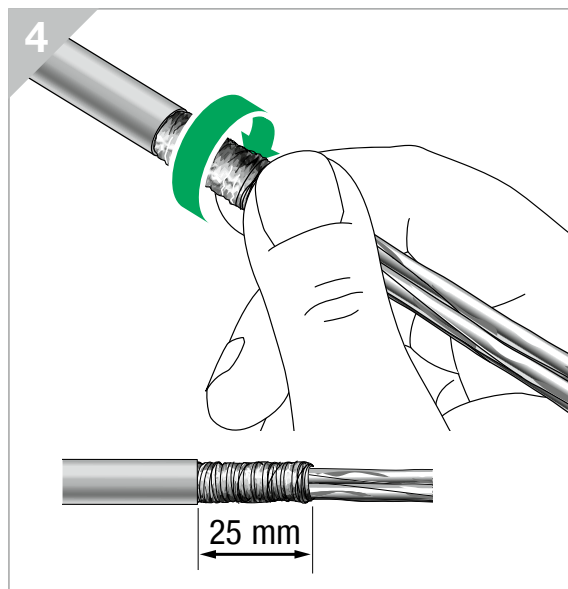
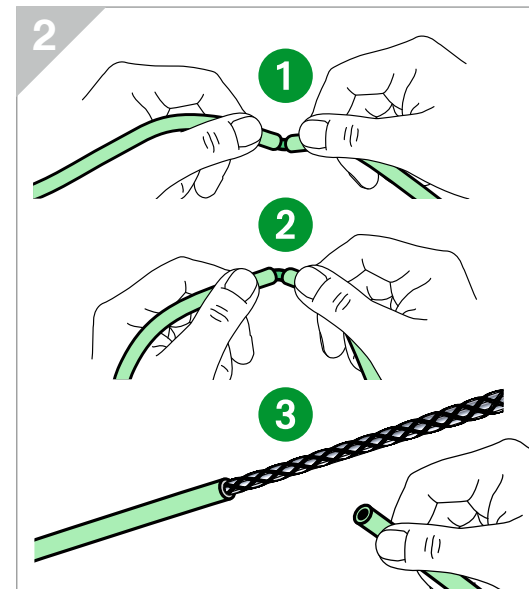
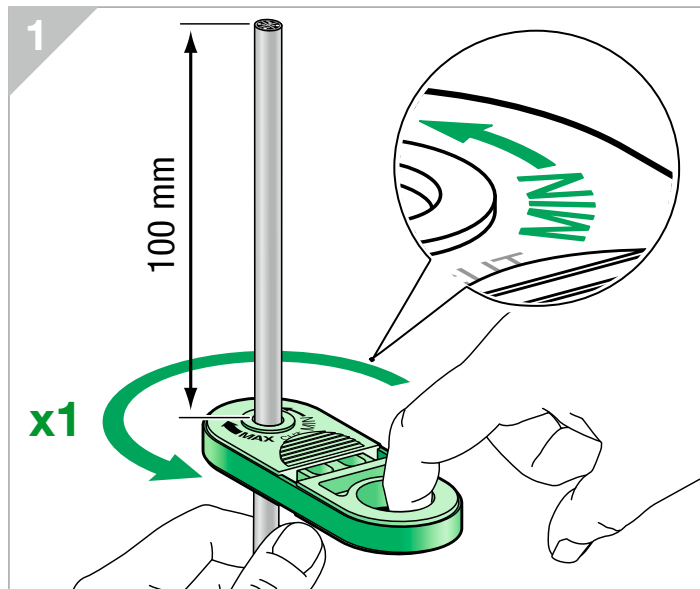
1

2

3

# Cable preparation

S/FTP

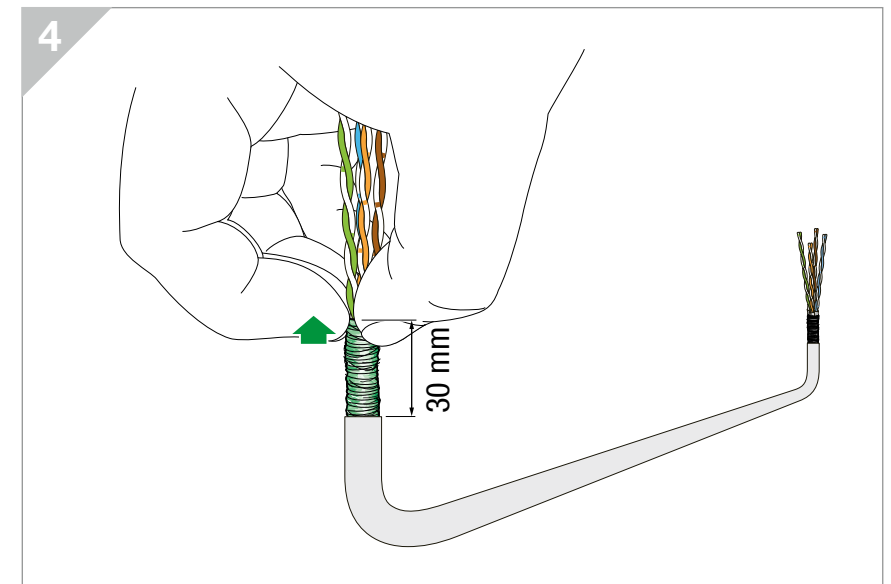
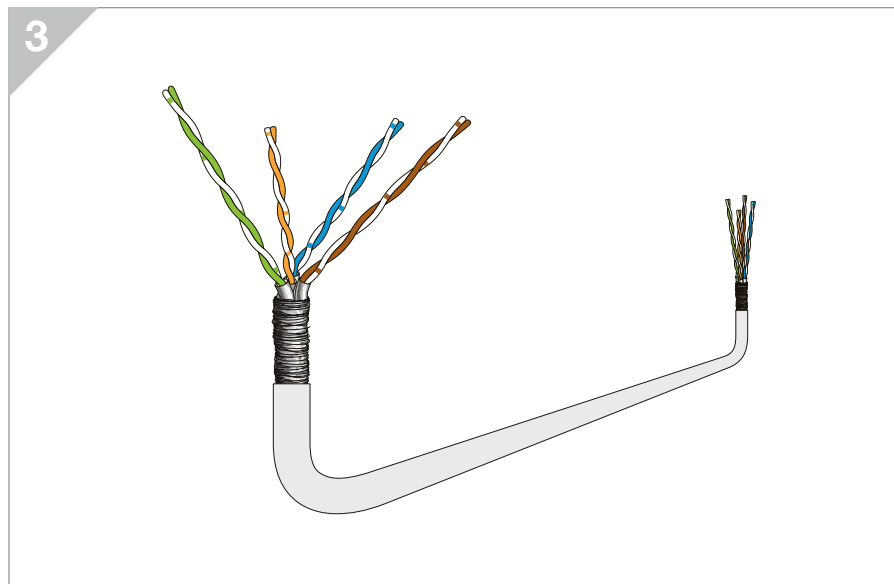
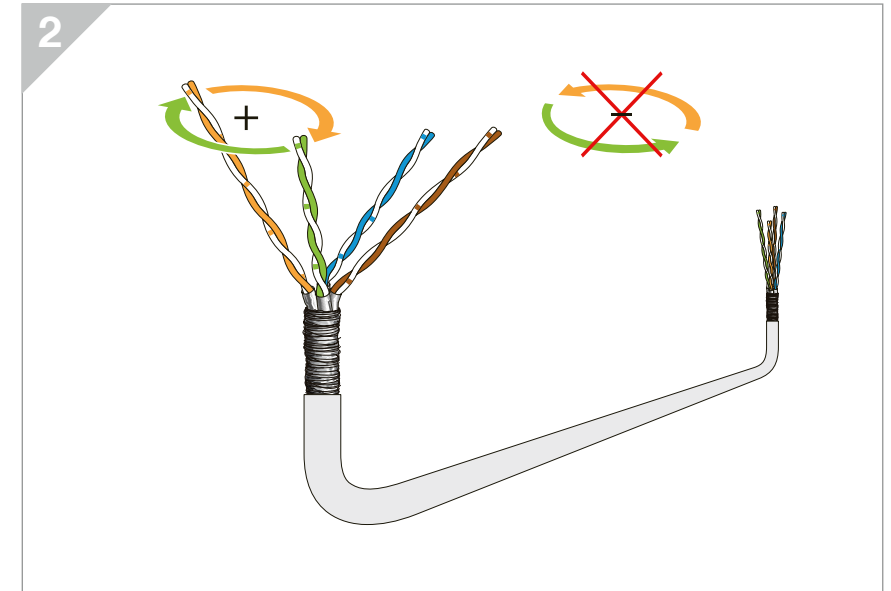
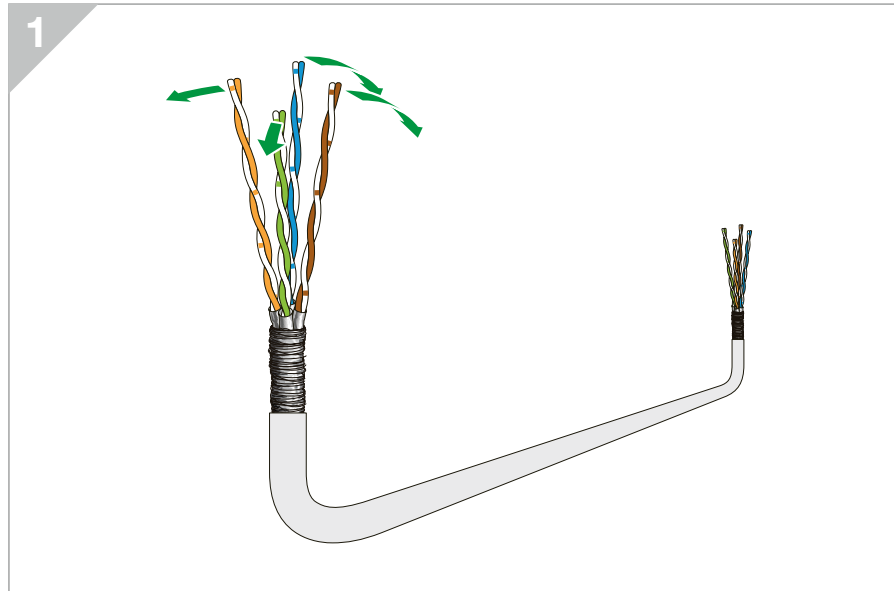
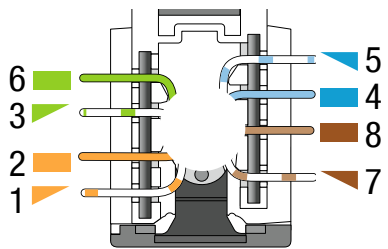


## Pairs crossing

### S/FTP

How to prepare a S/FTP cable acc. to T568B wiring code to reach high performance

**EIA-TIA 568B** (100Ω)

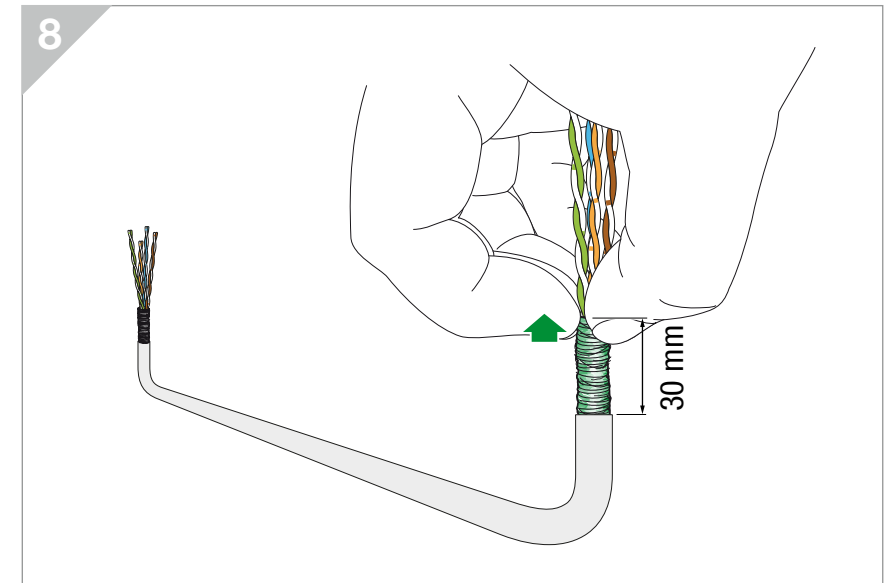
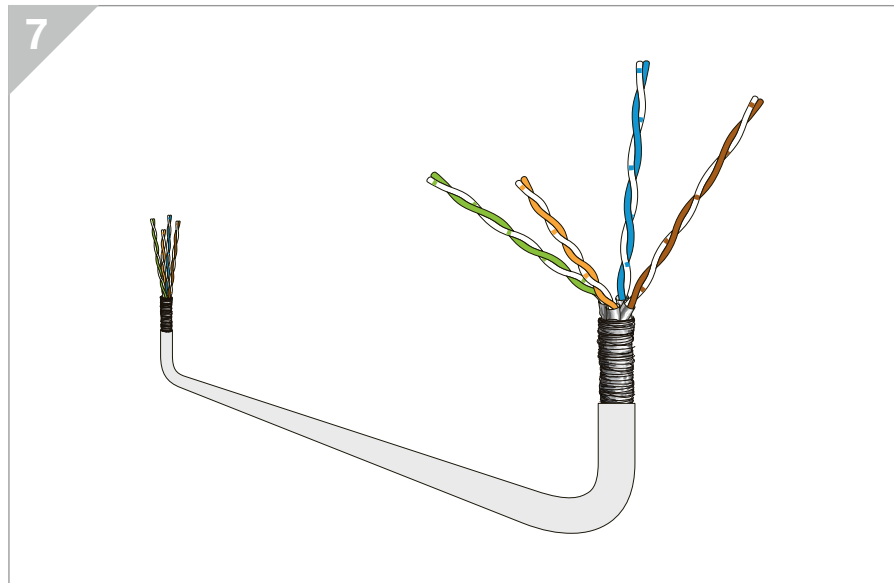
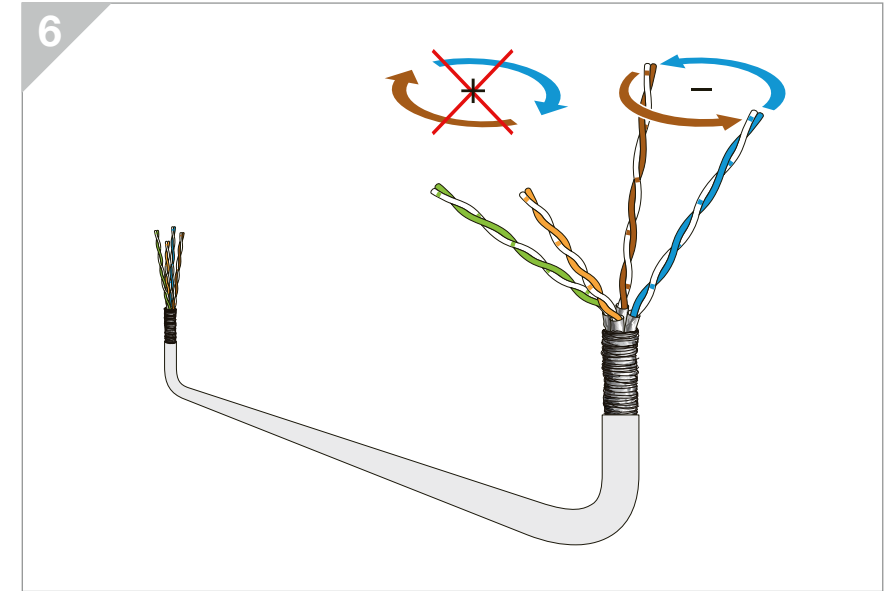
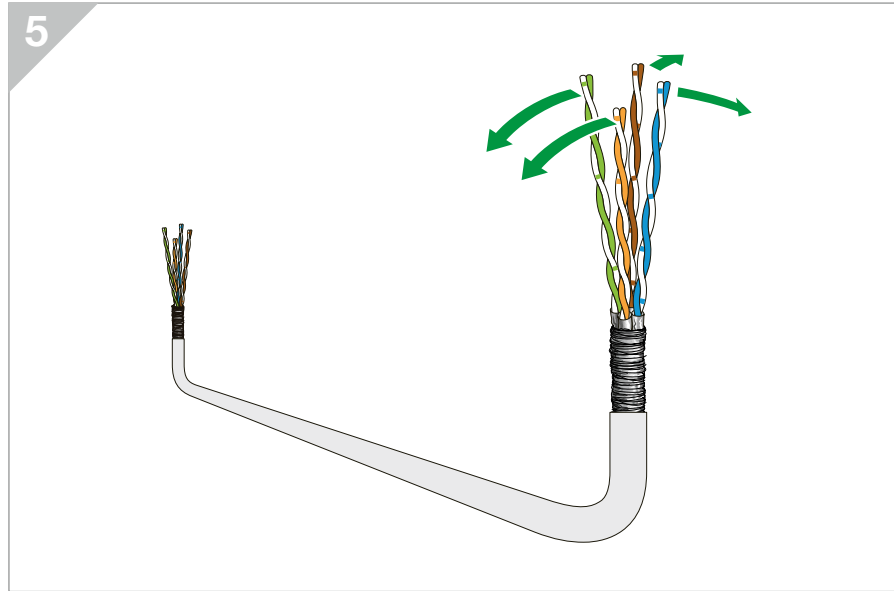
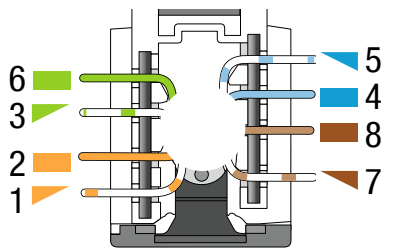


# Pairs crossing

## S/FTP

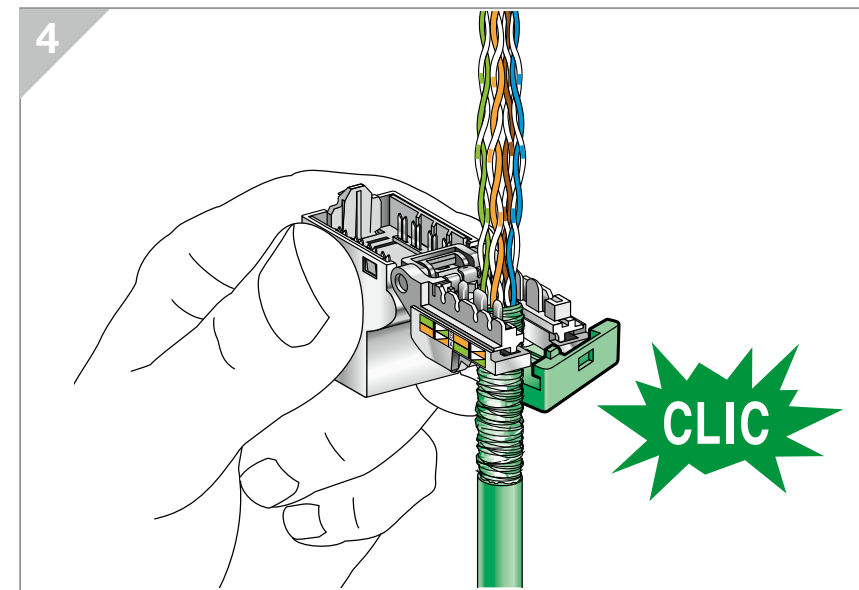
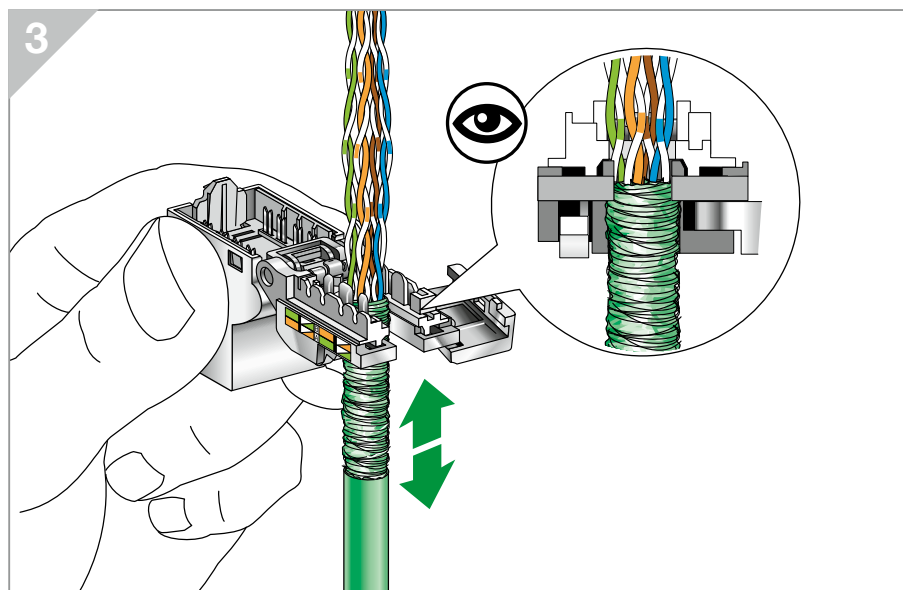
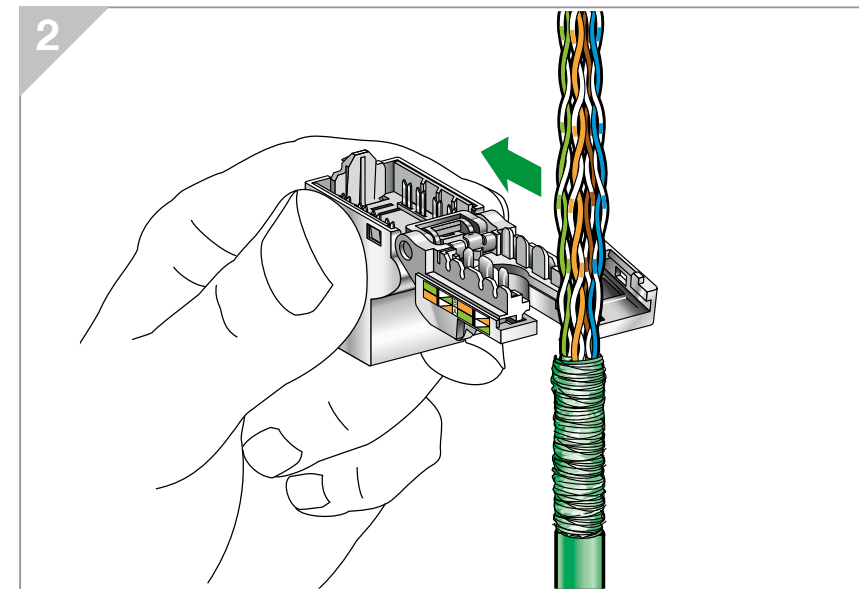
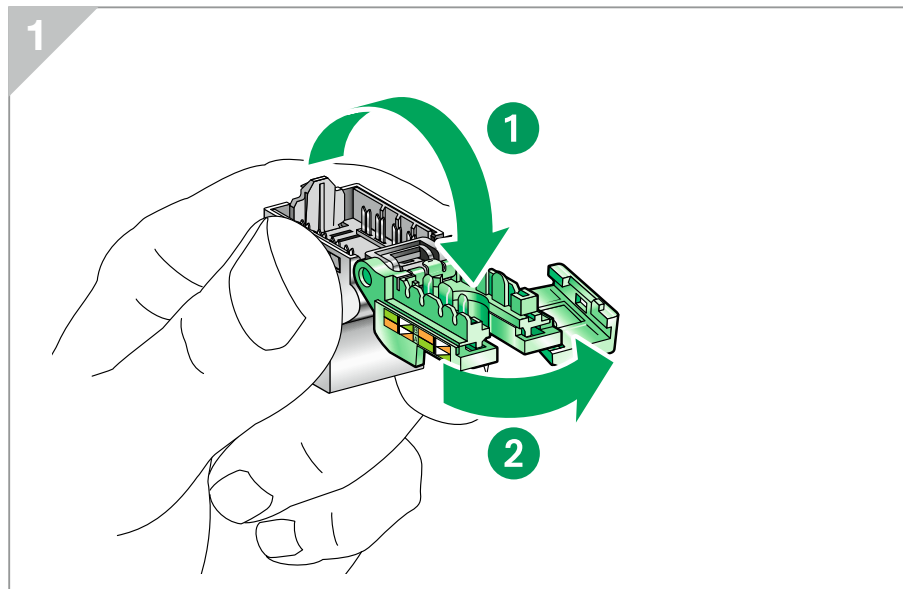
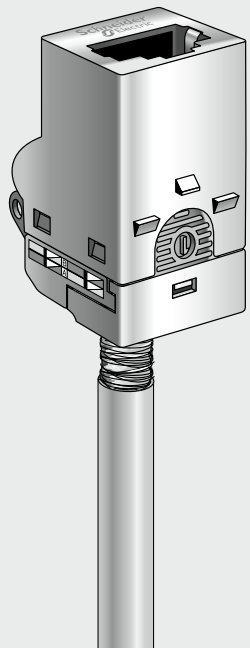
How to prepare a S/FTP cable acc. to T568B wiring code to reach high performance

EIA-TIA 568B (100Ω)



# Connector termination

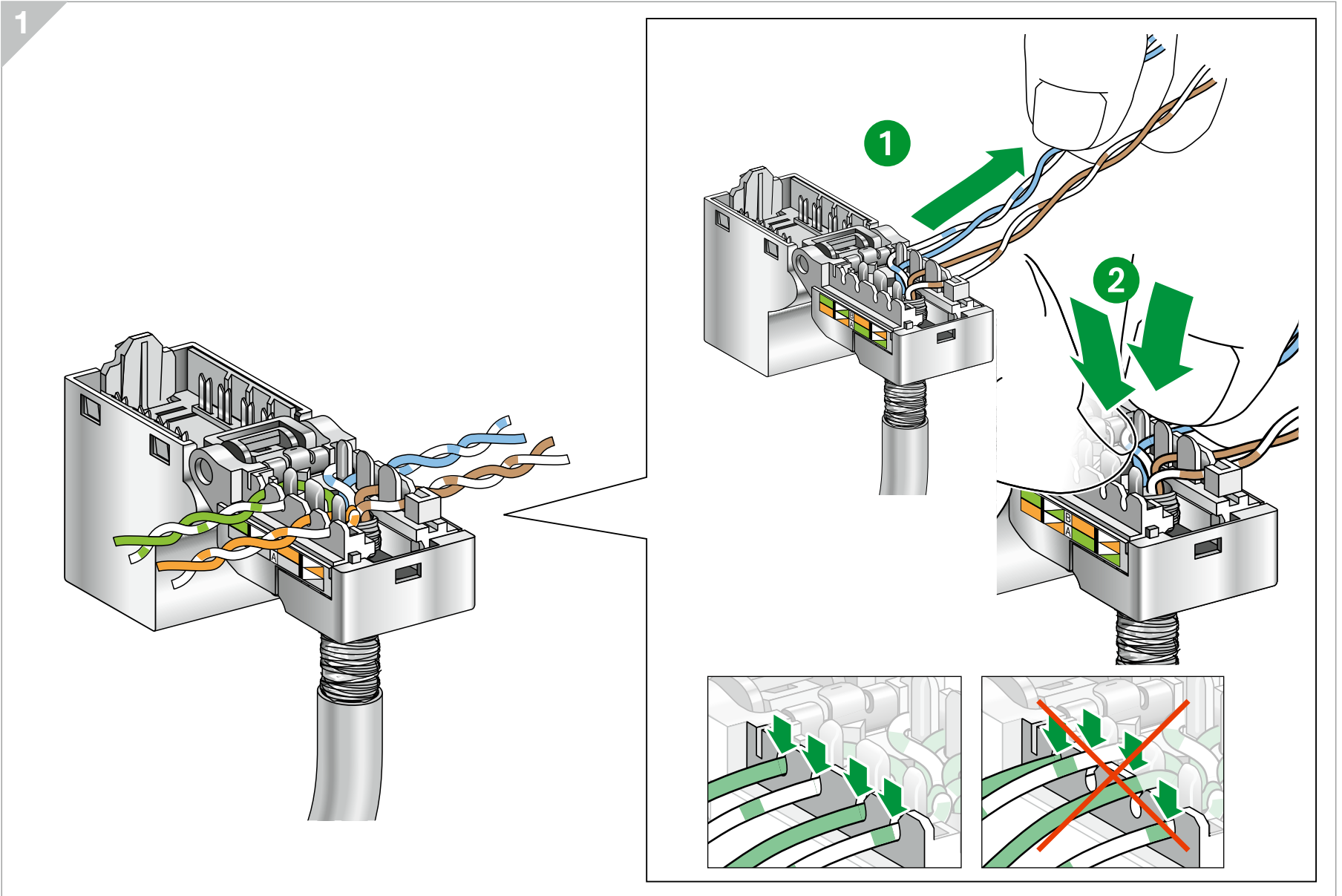
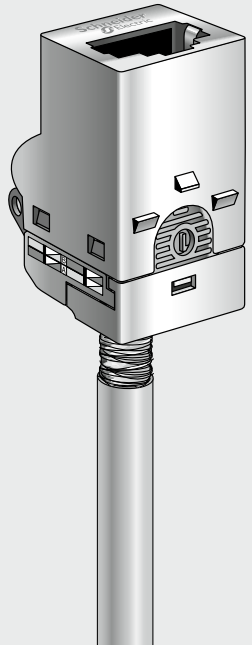
S/FTP





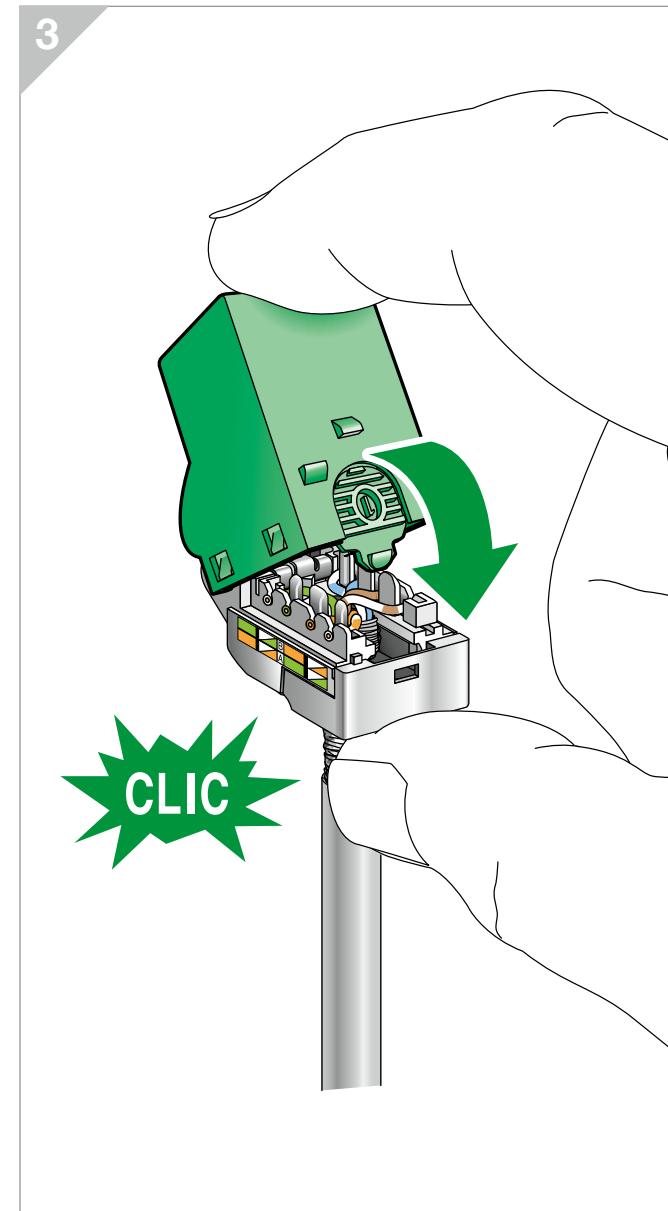
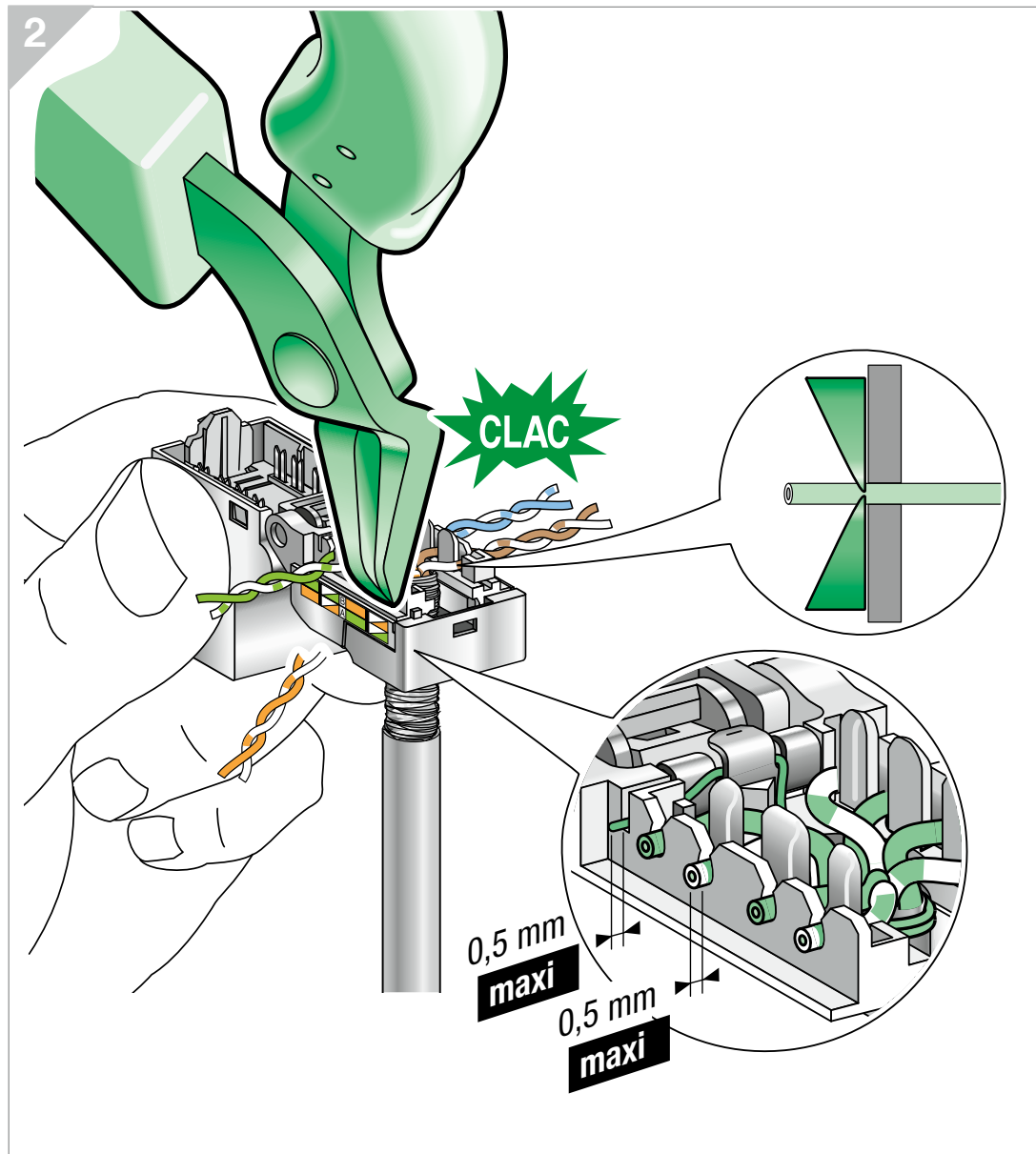
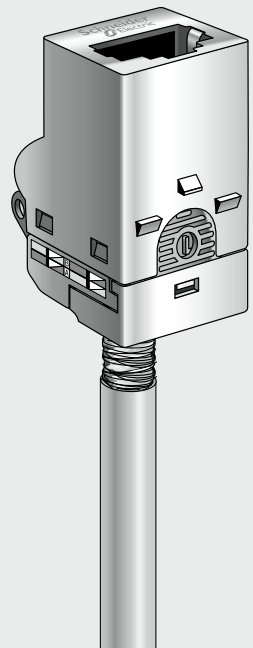
# Connector connection

S/FTP



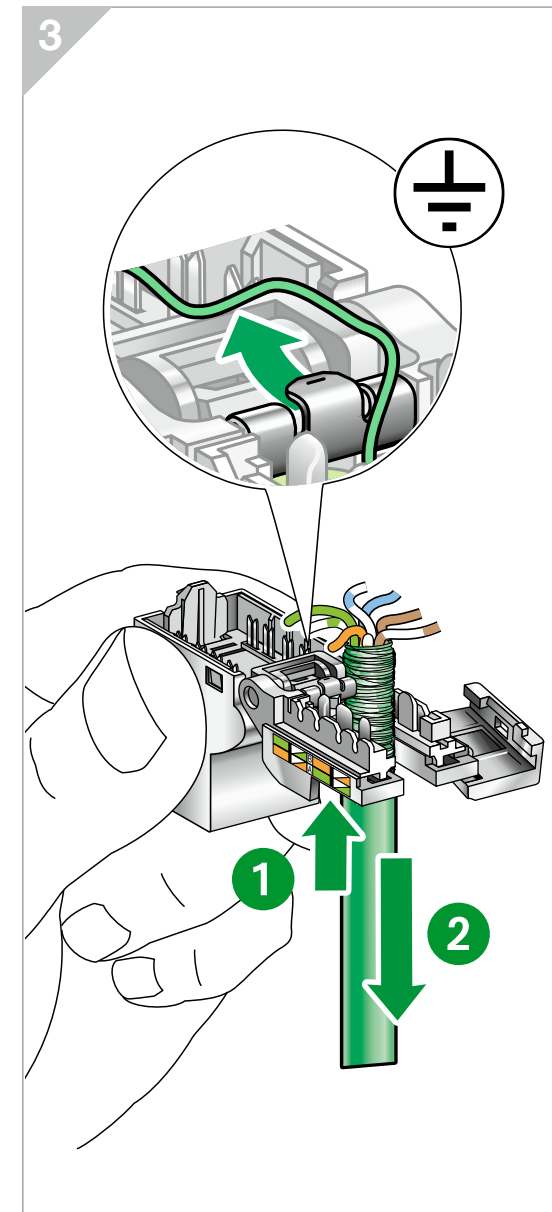
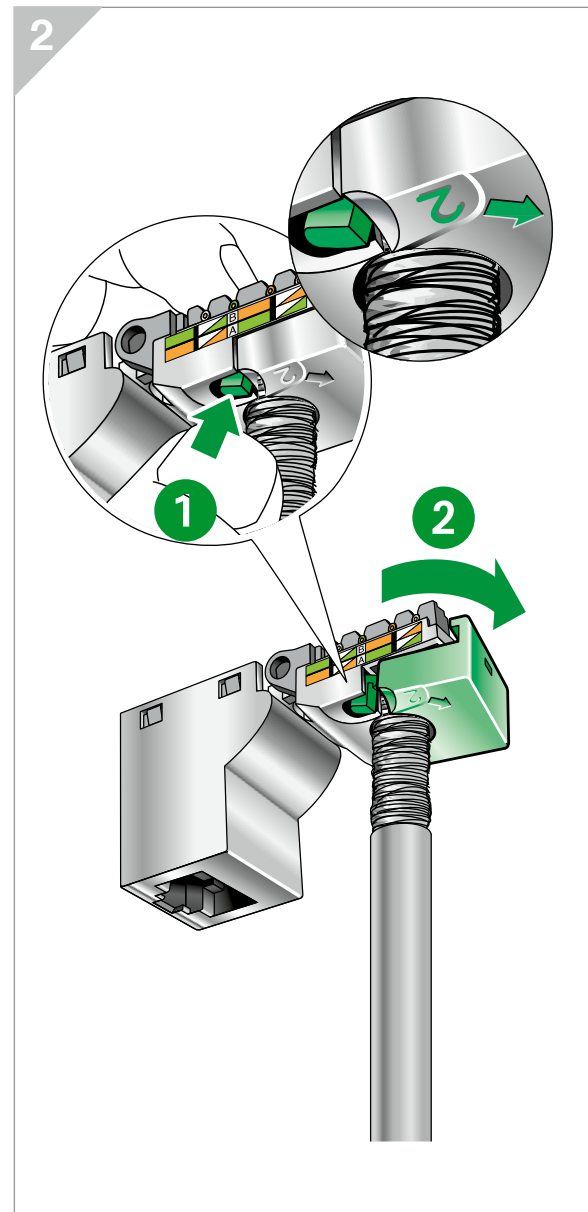
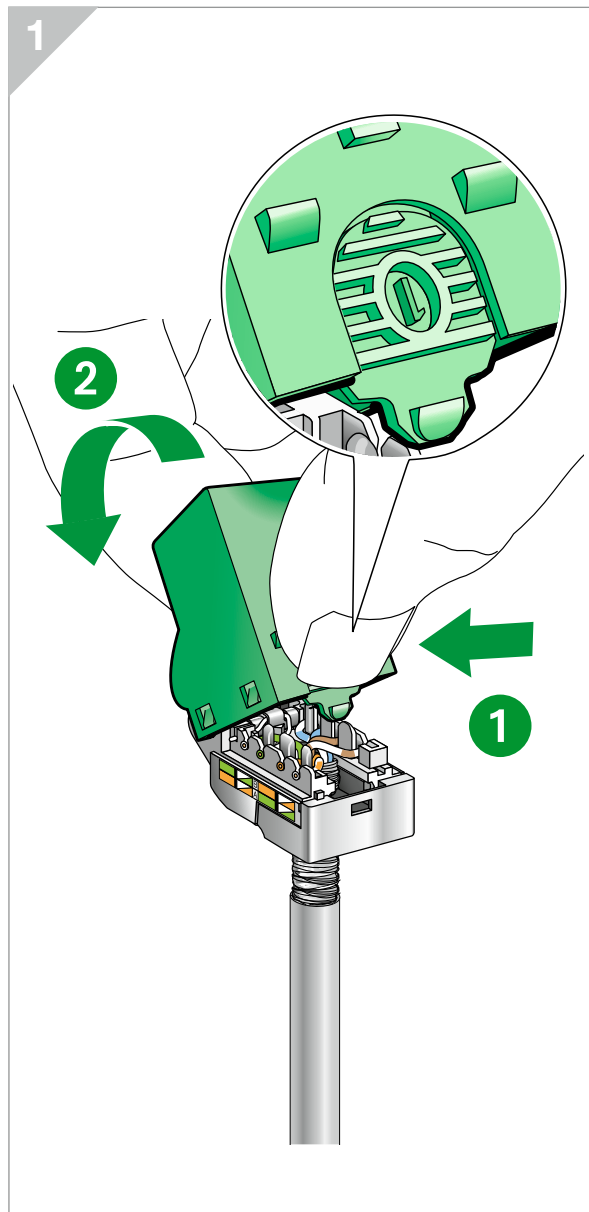
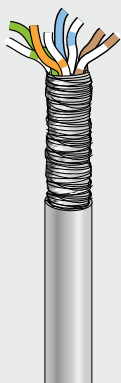
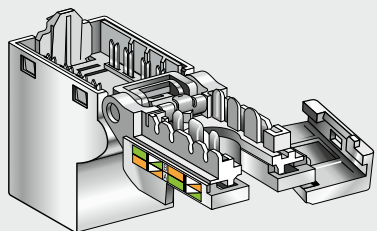
## Connector connection

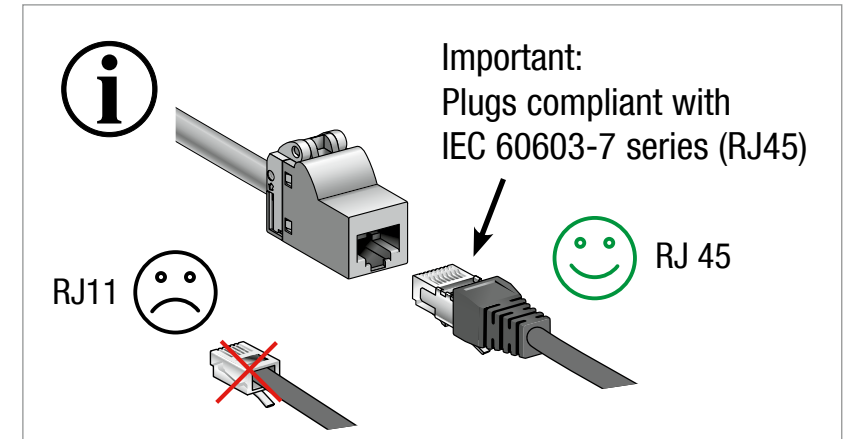
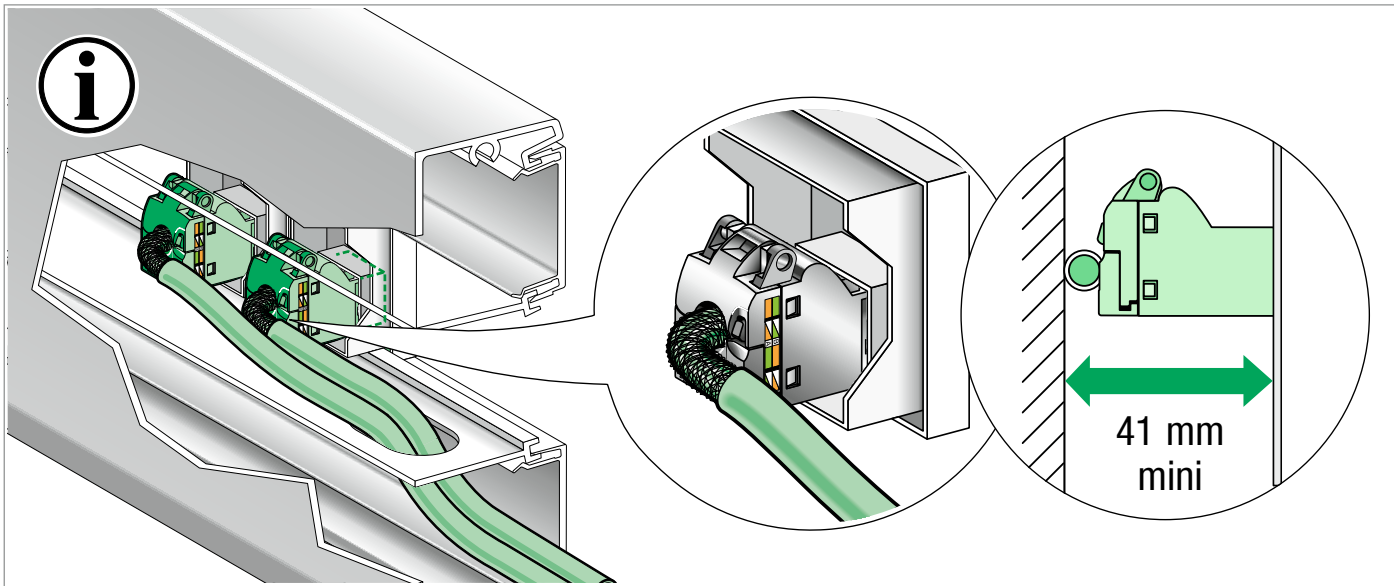
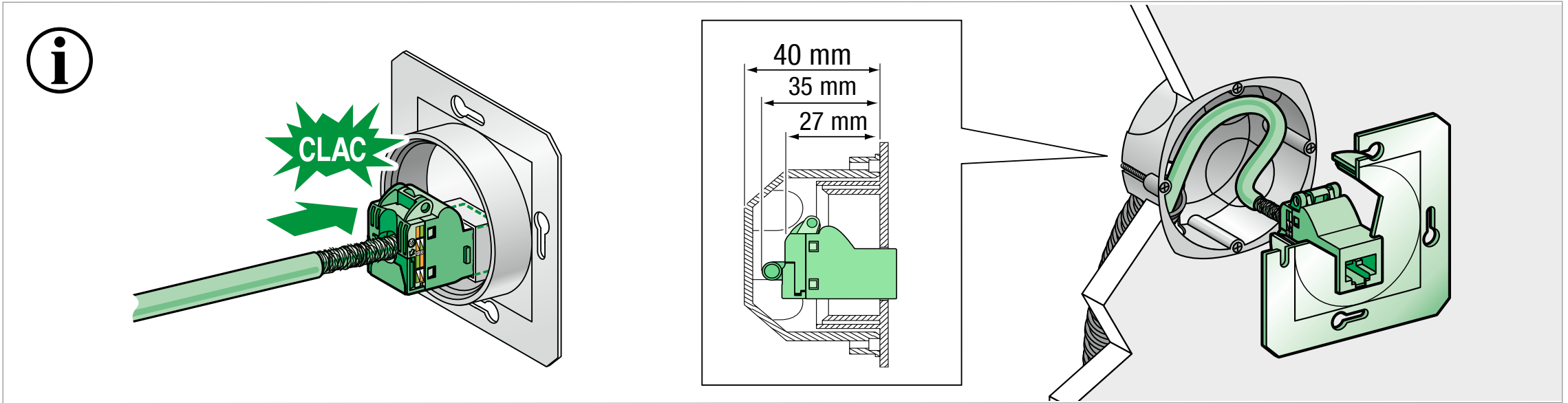
S/FTP



# Connector disconnection

S/FTP

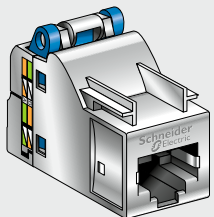




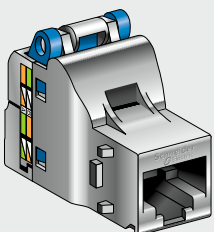
# Composition

## Shielded connector

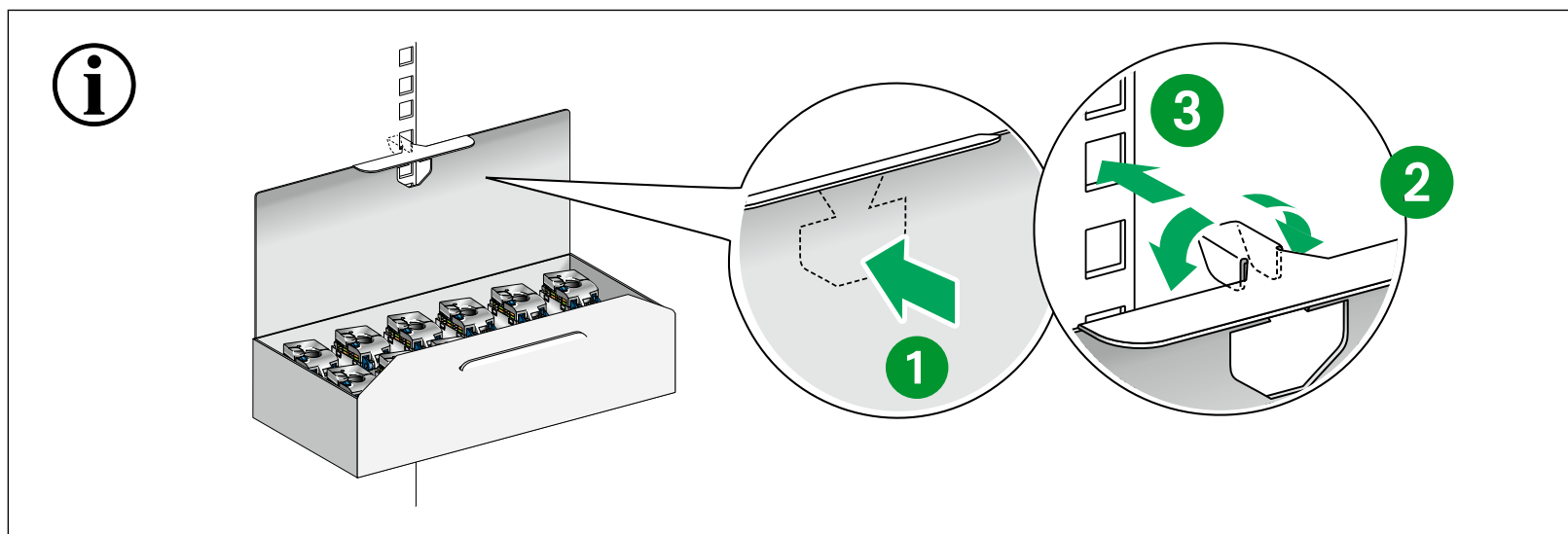
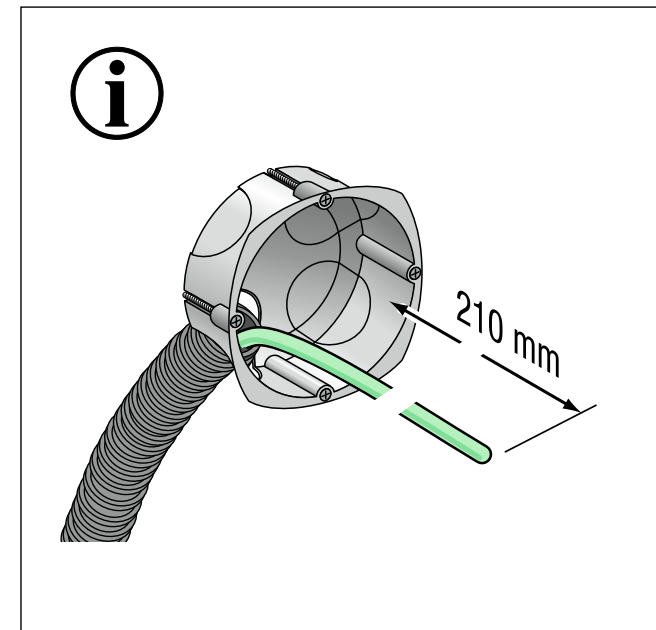
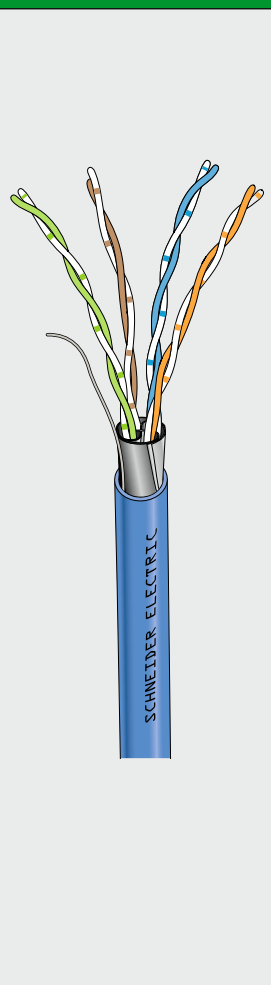
S-One



S-One DPM

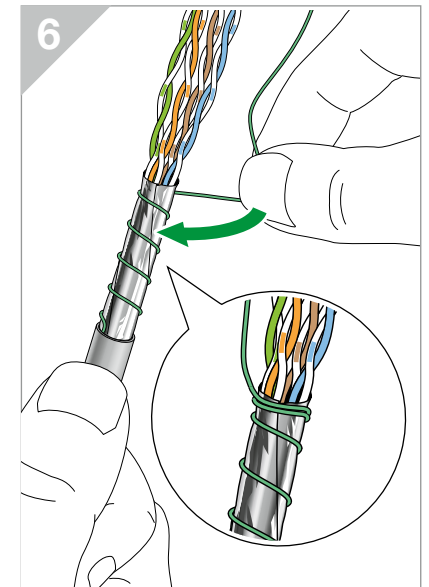
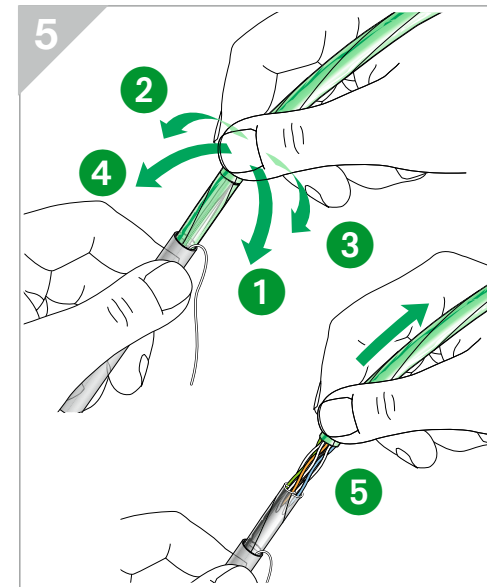
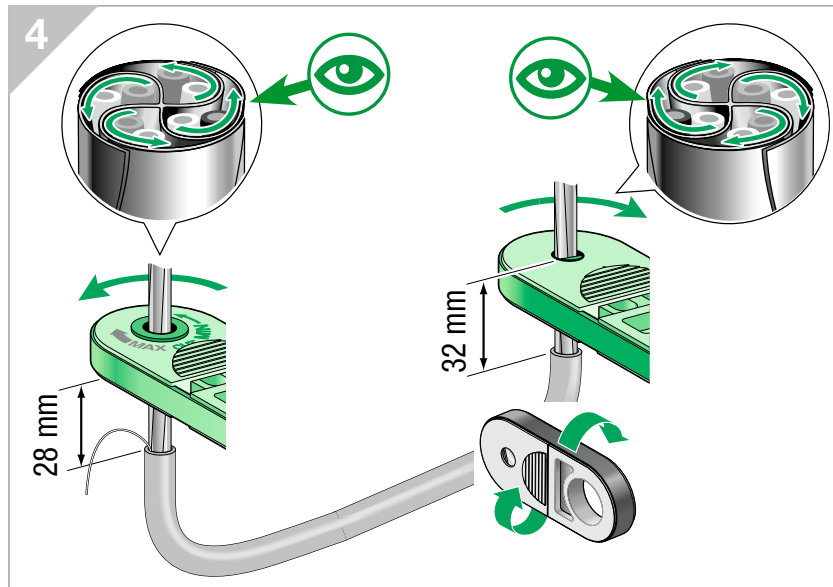
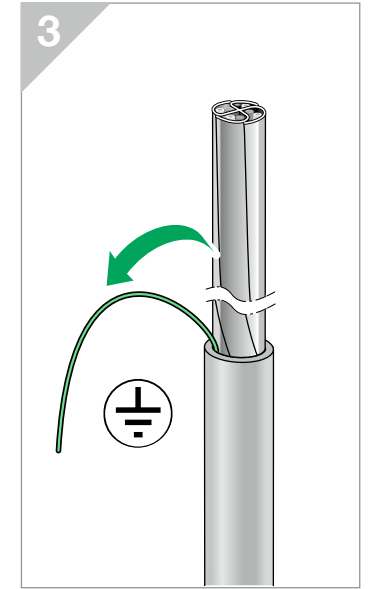
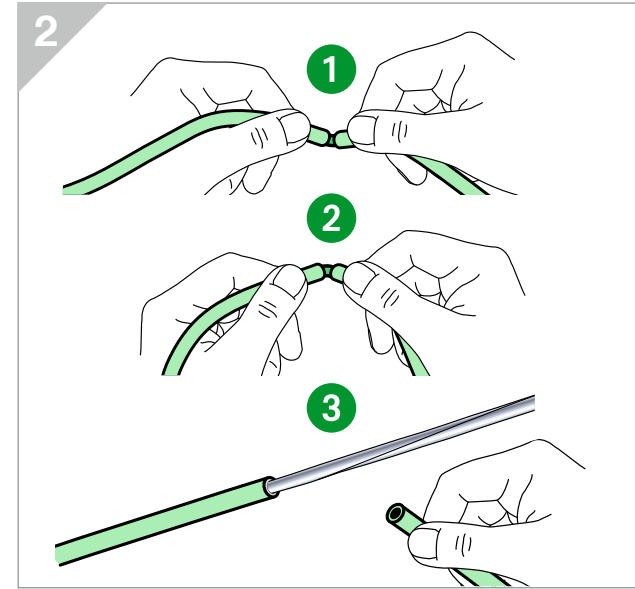
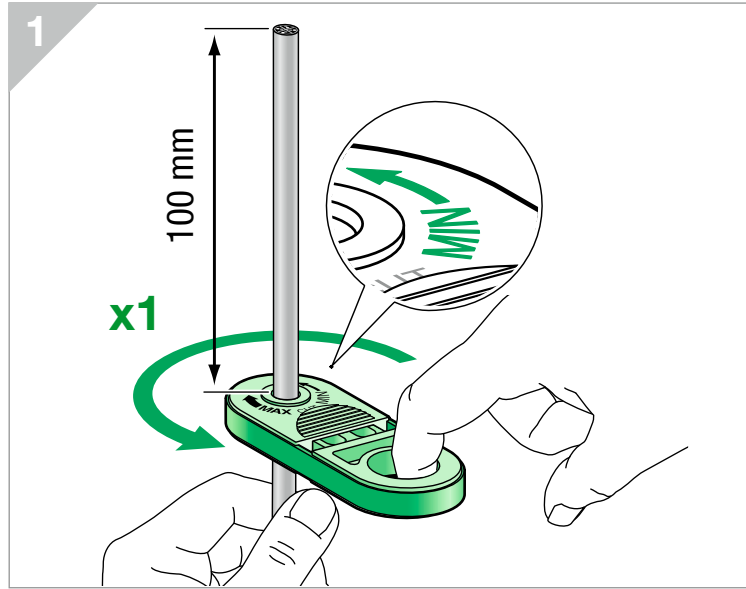


## CLMX F/FTP



# Cable preparation

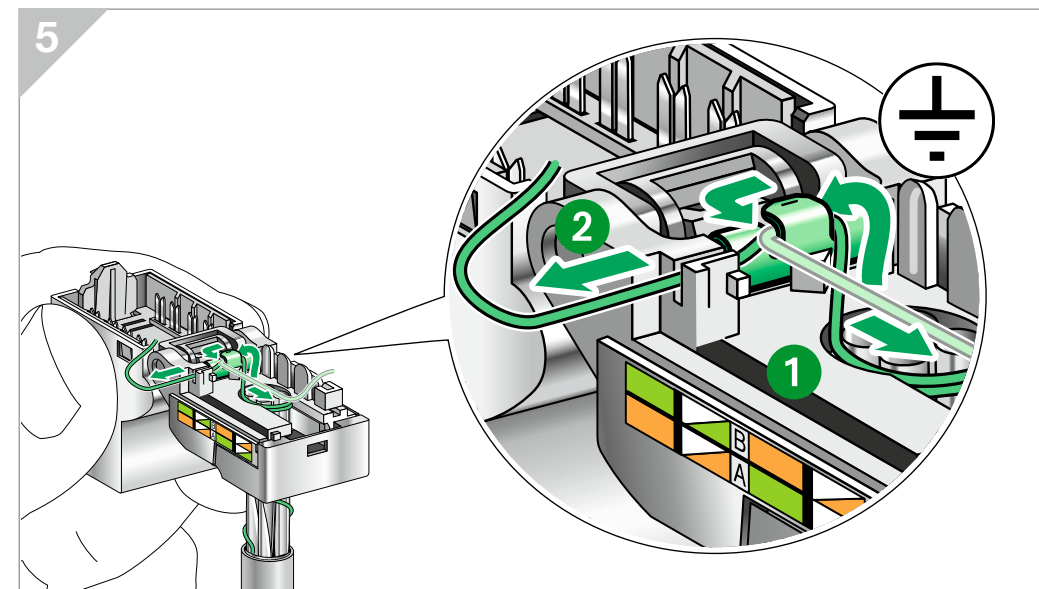
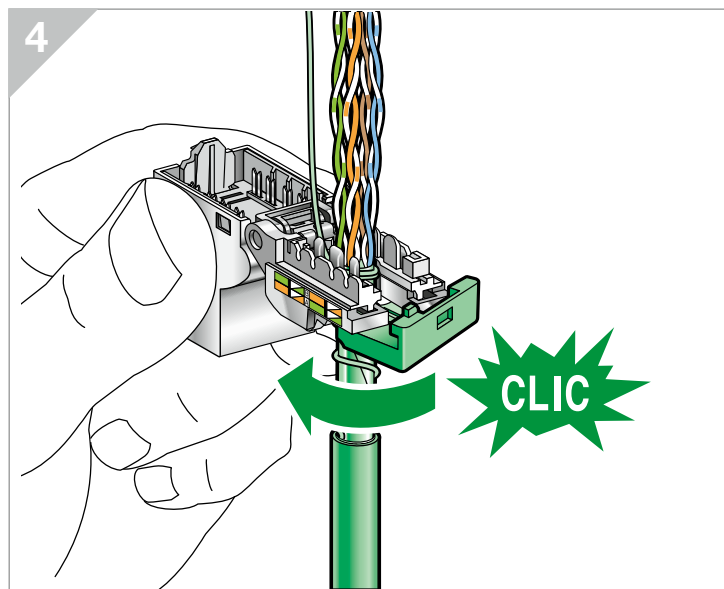
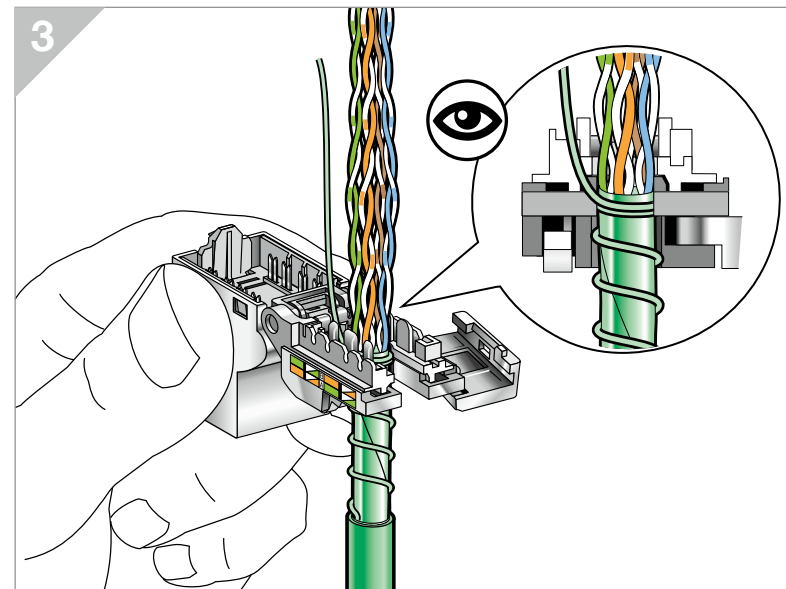
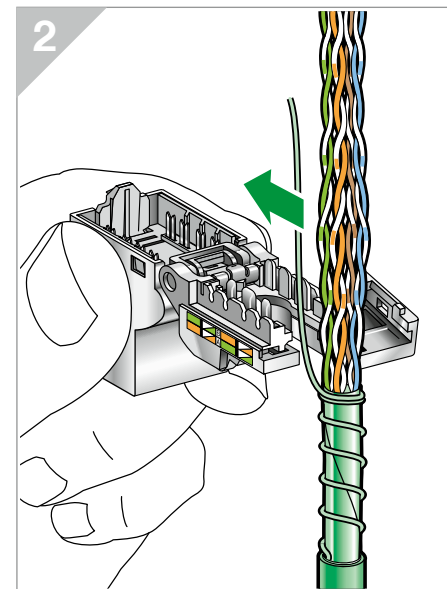
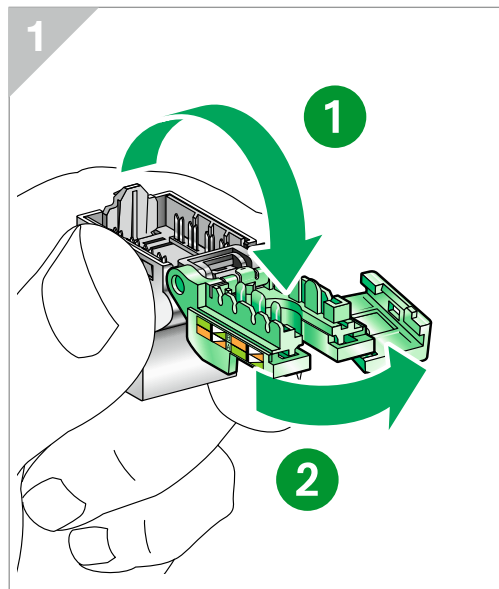
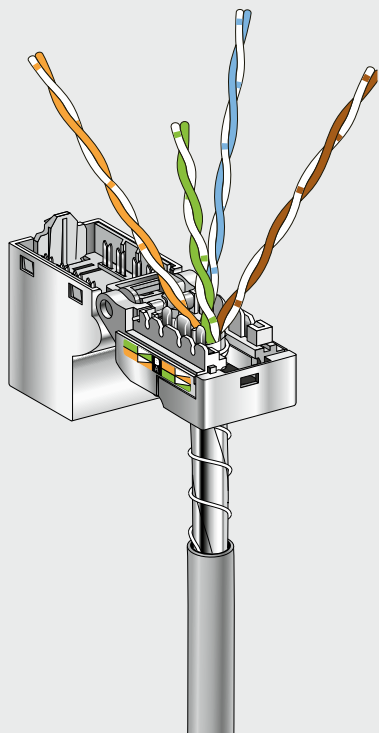
## CLMX





# Connector termination

## CLMX

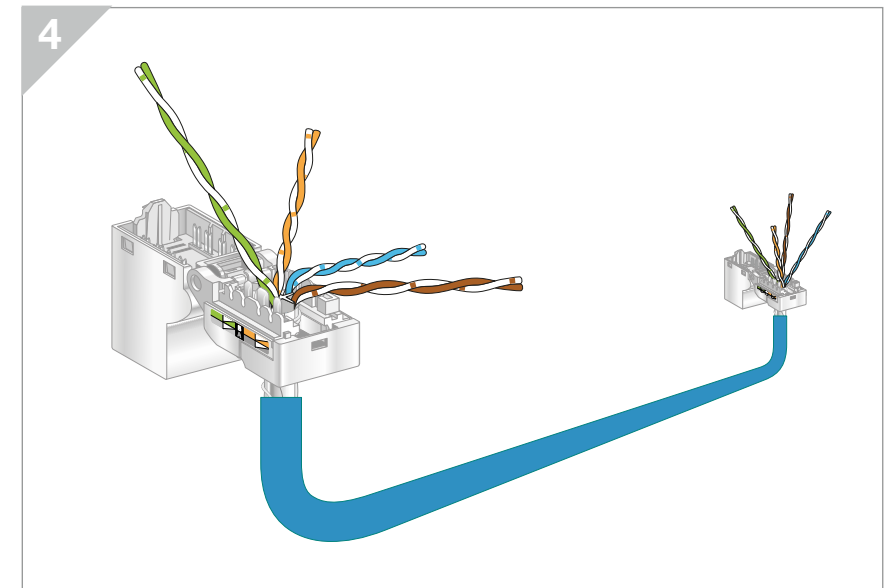
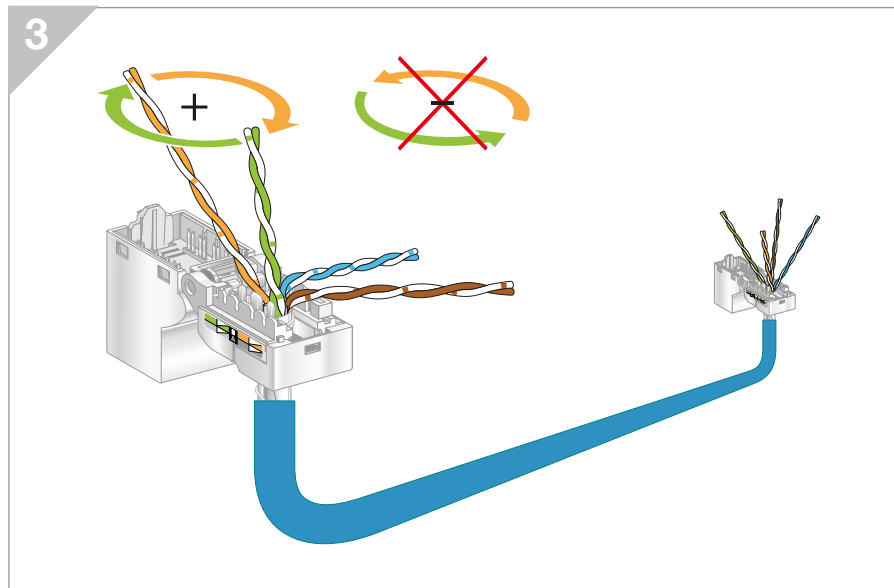
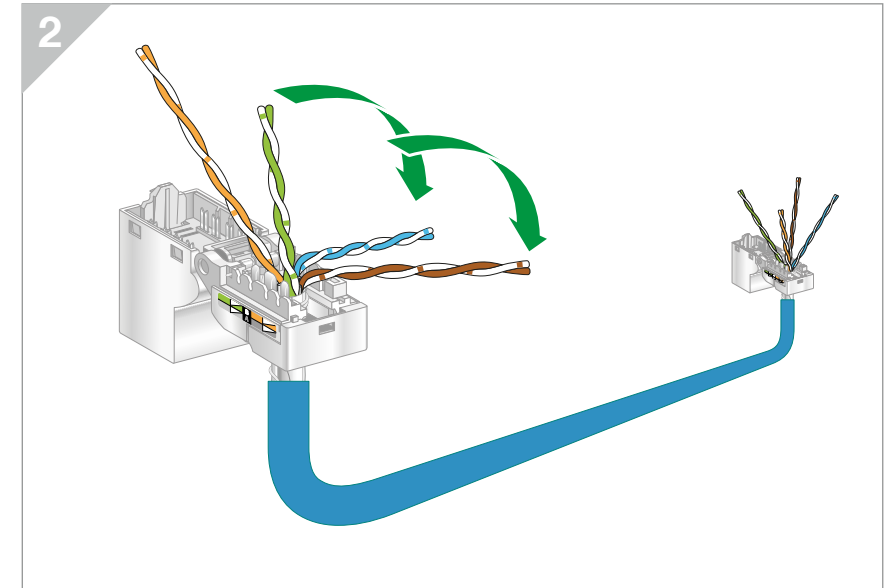
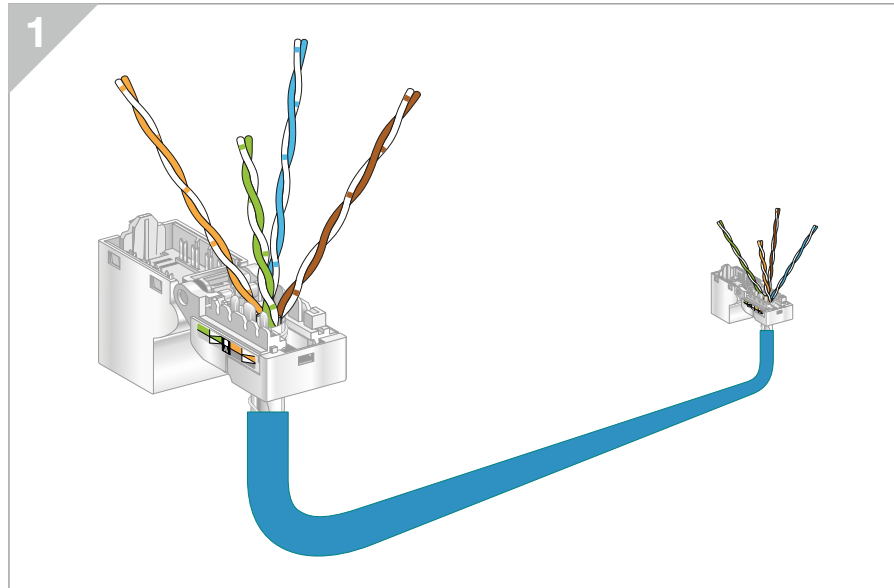
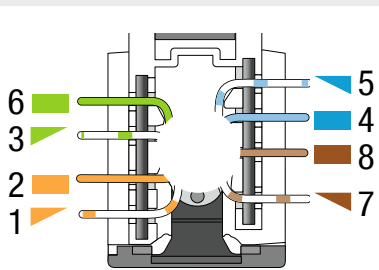


## Pairs crossing

### CLMX

How to prepare a CLMX cable acc. to T568B wiring code to reach high performance

EIA-TIA 568B (100Ω)

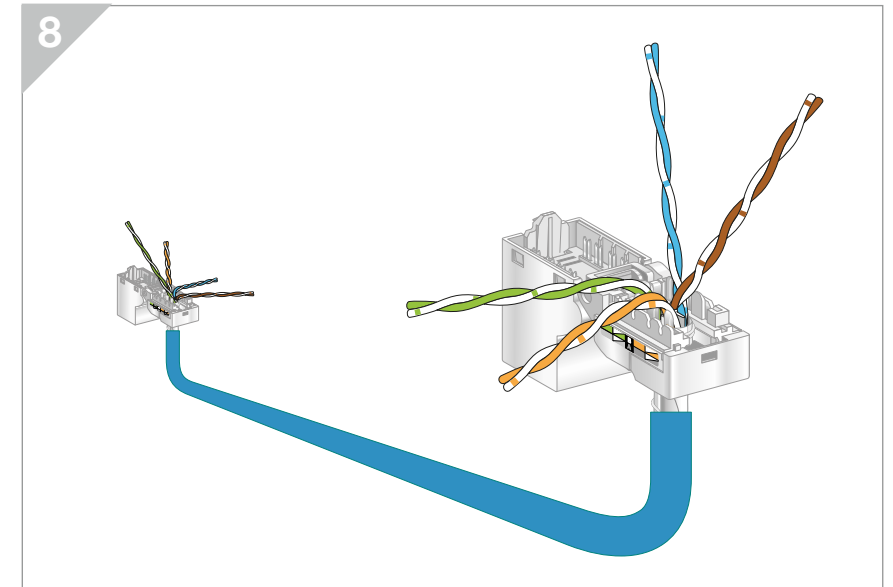
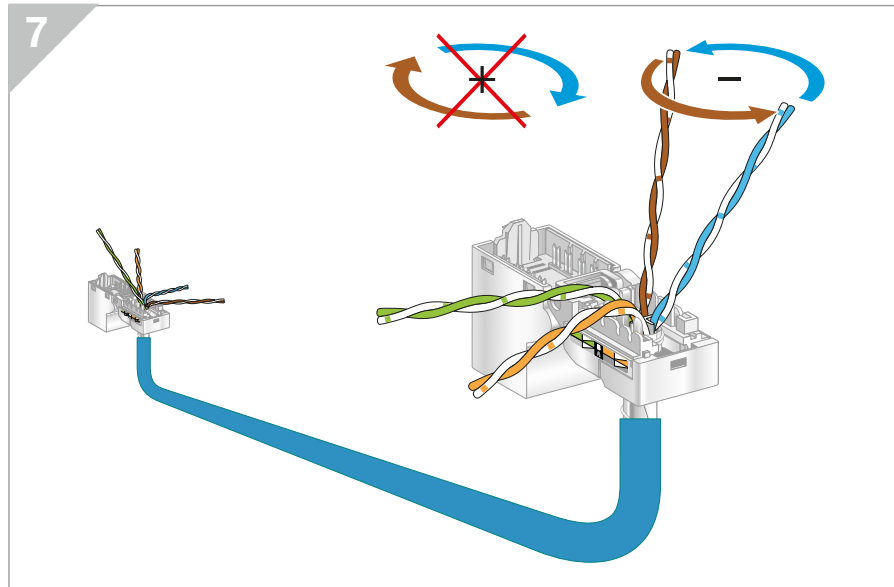
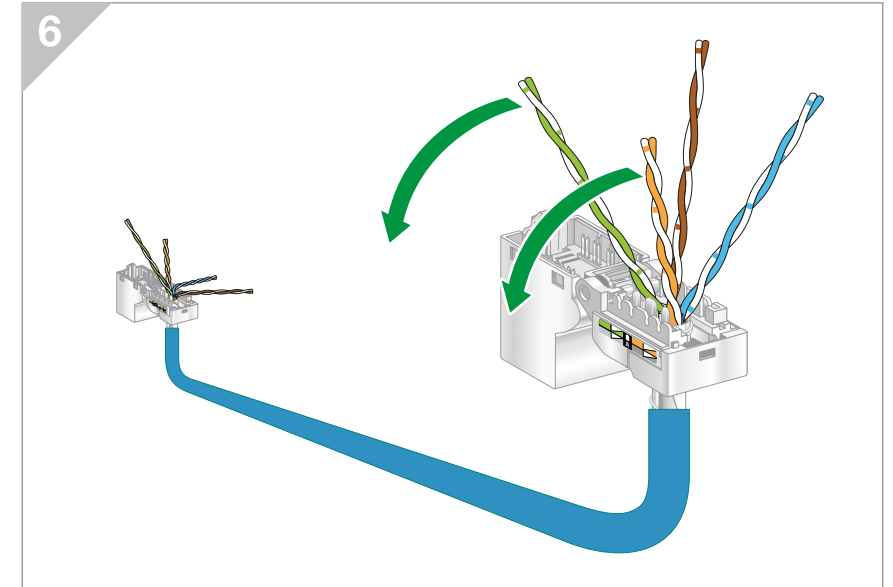
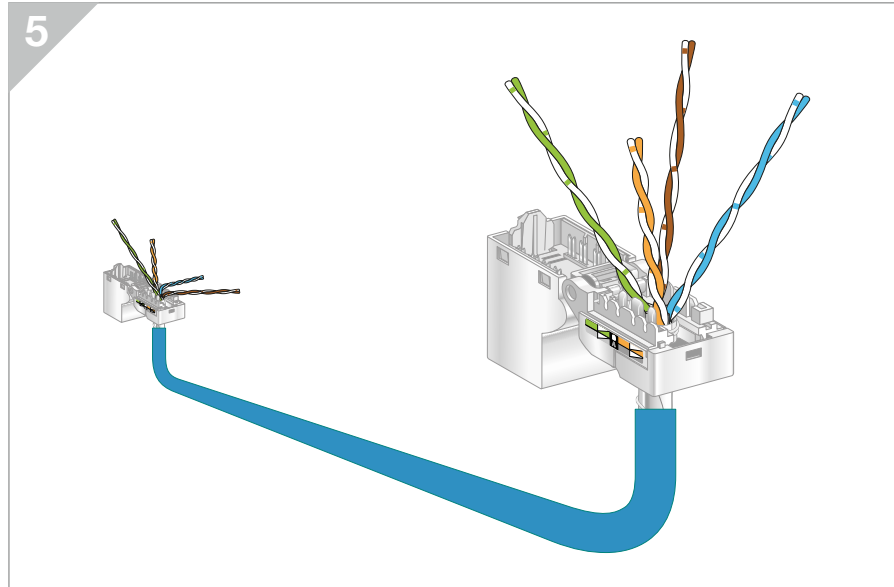
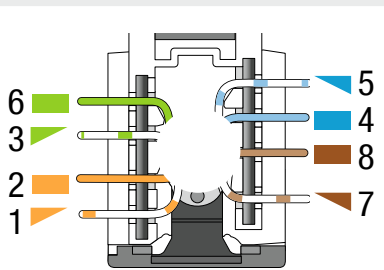


## Pairs crossing

### CLMX

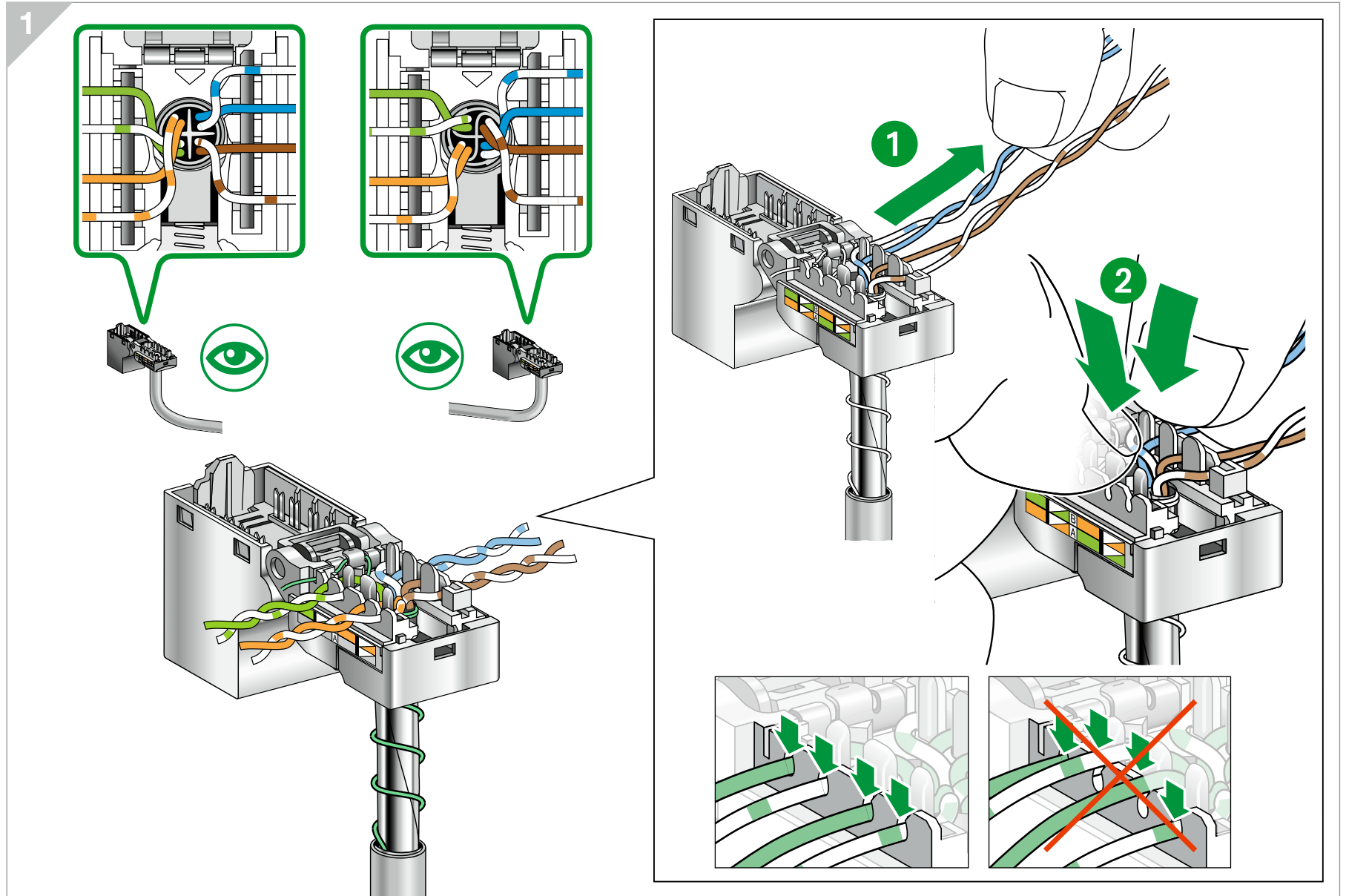
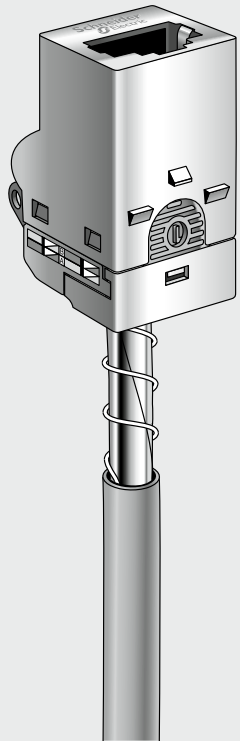
How to prepare a CLMX cable acc. to T568B wiring code to reach high performance

EIA-TIA 568B (100Ω)



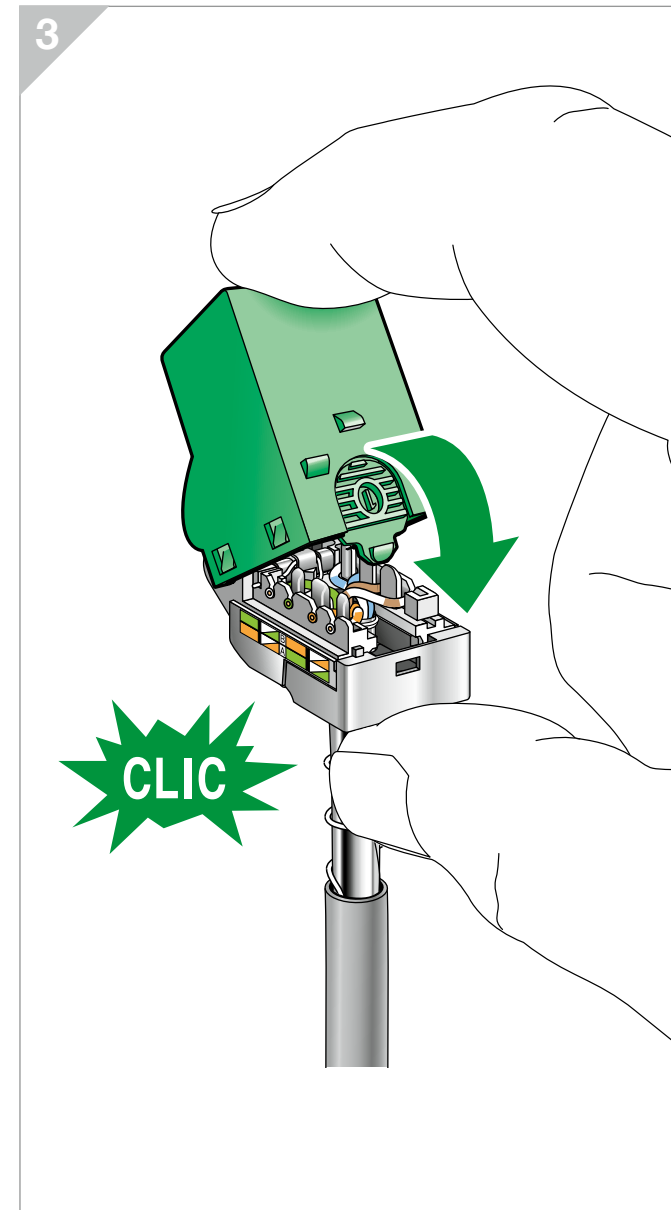
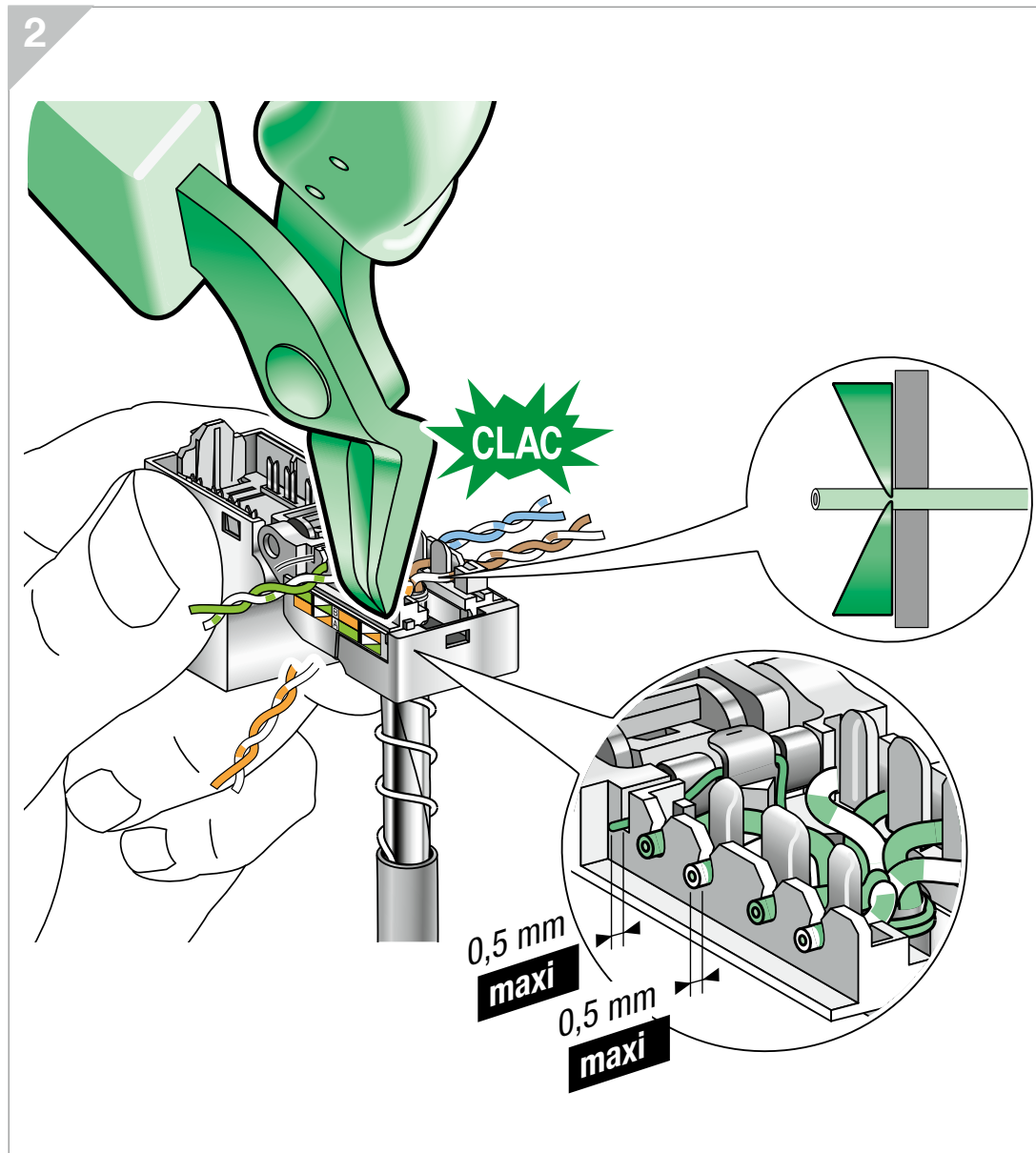
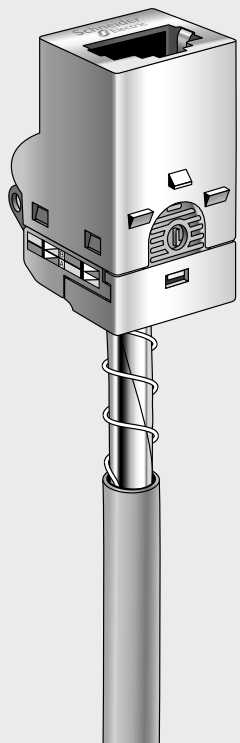
# Connector connection

**CLMX**



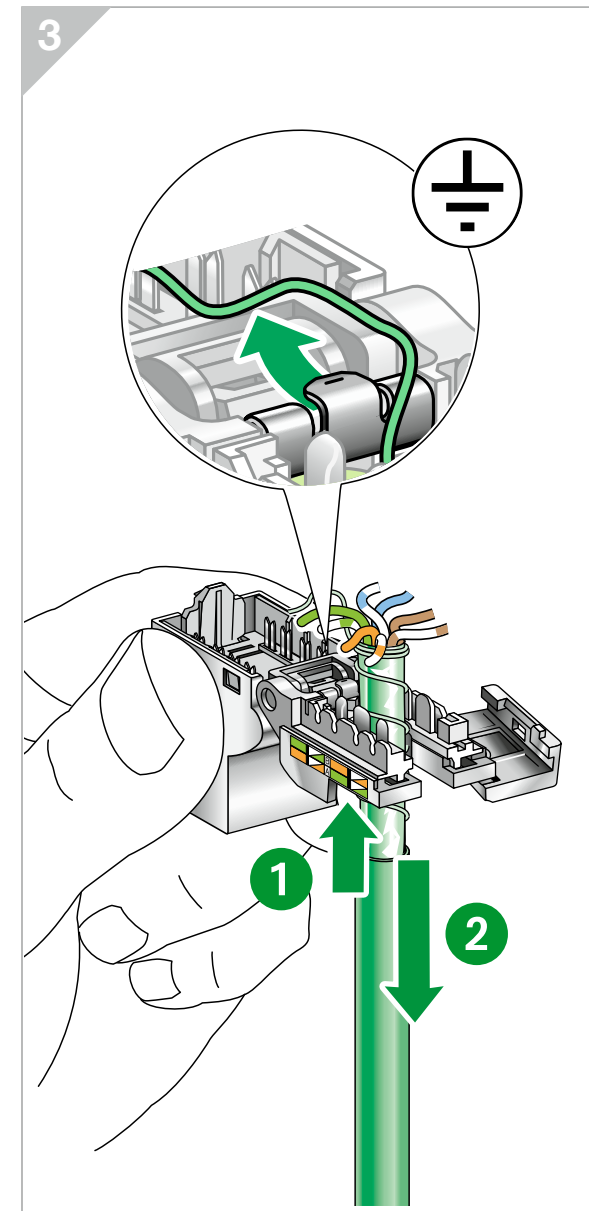
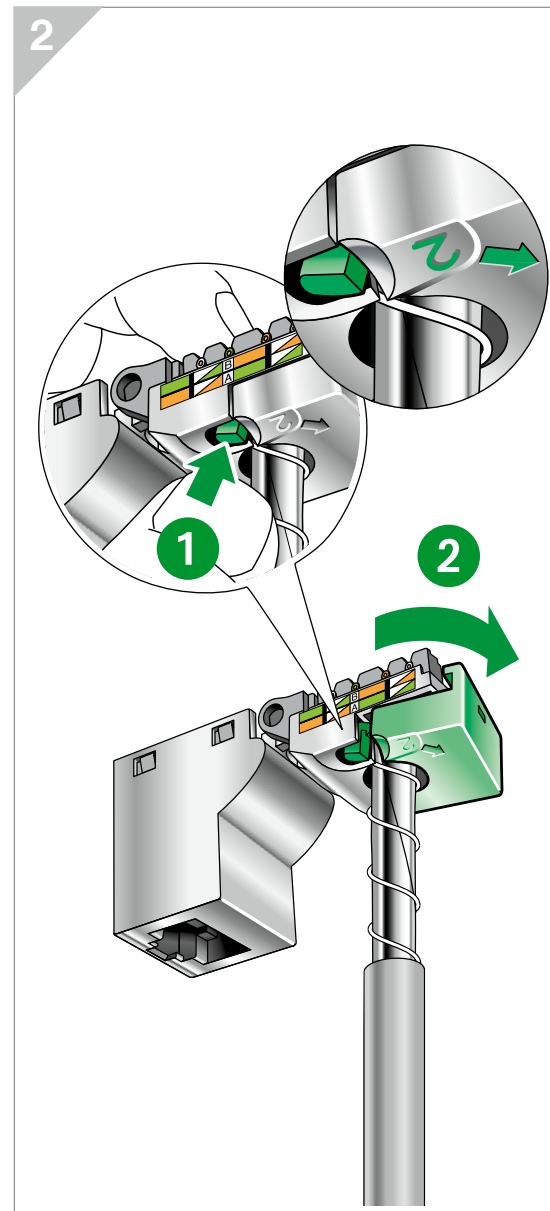
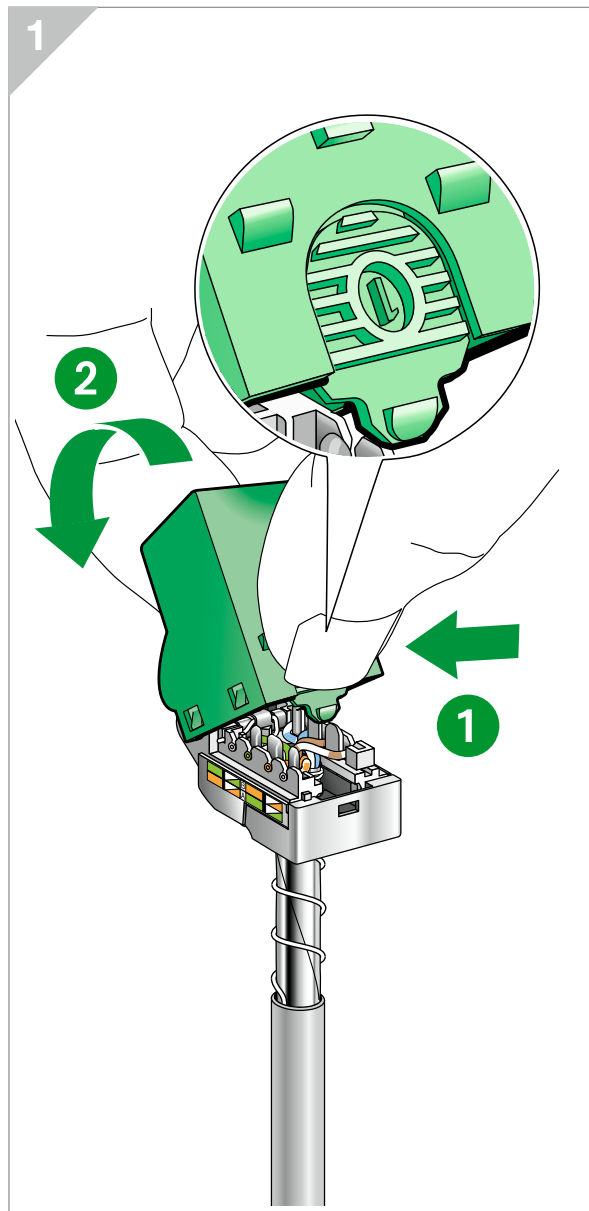
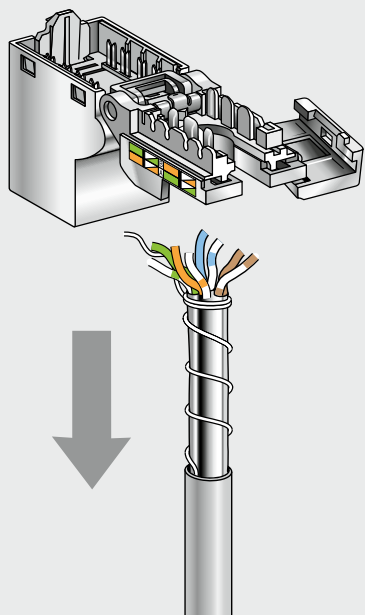
## Connector connection

### CLMX

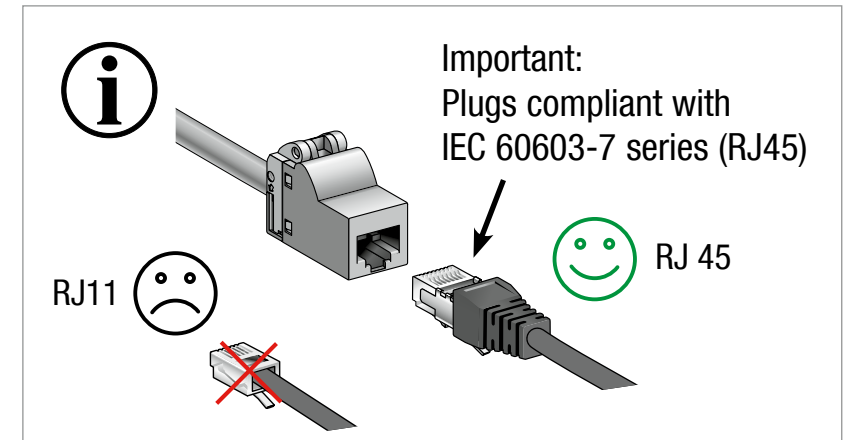
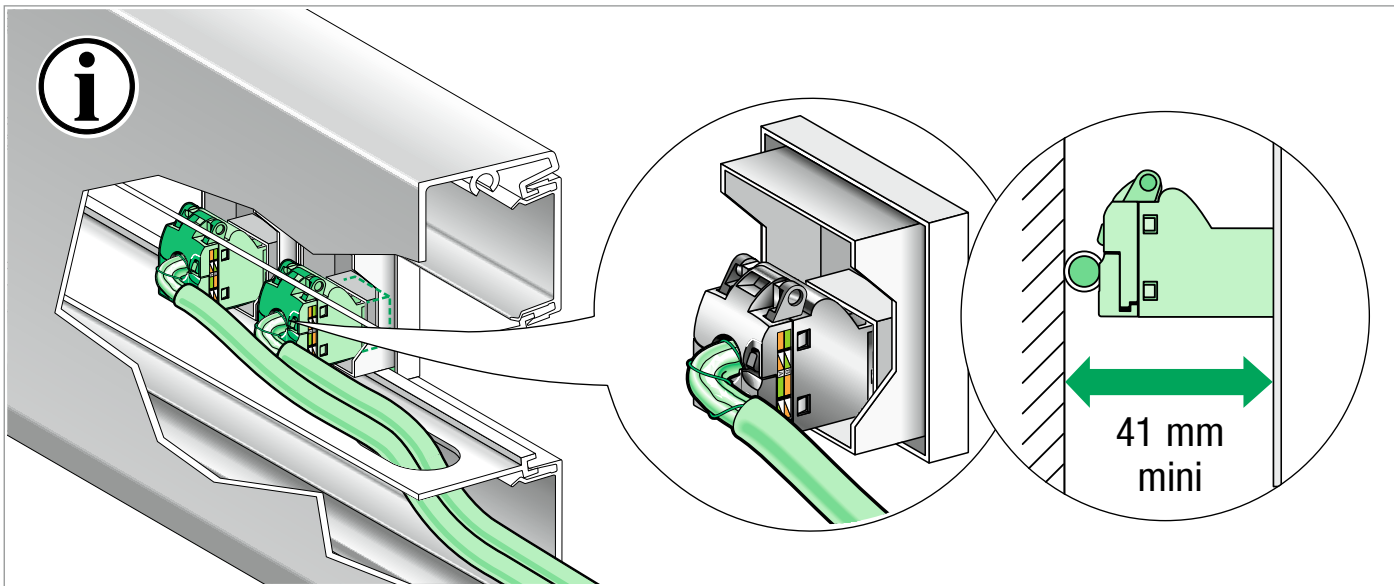
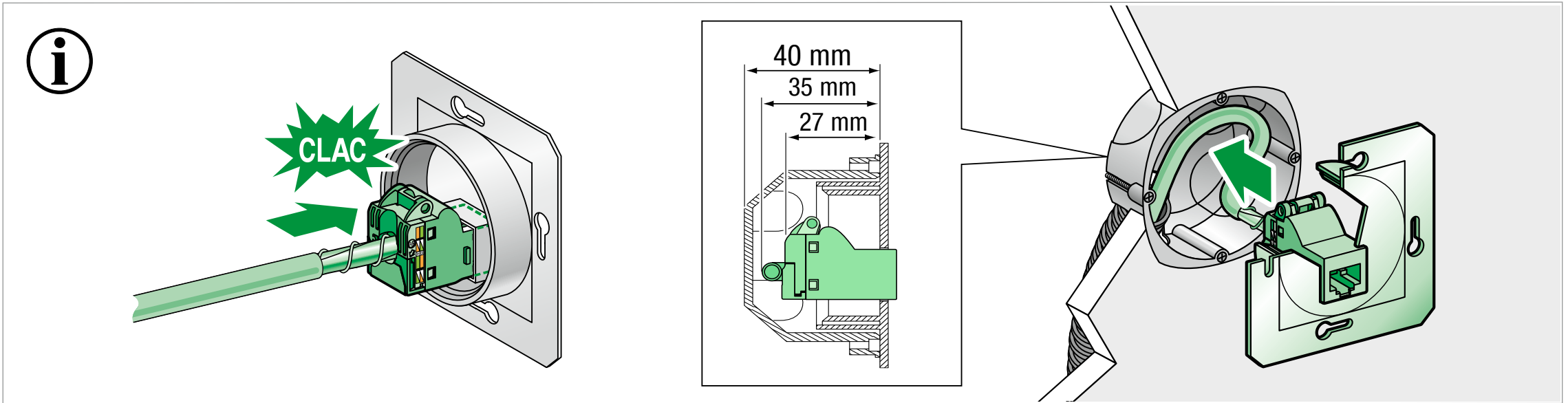


# Connector disconnection

## CLMX



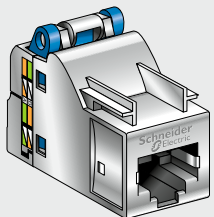




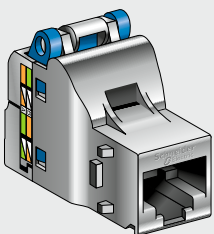
## Composition

### Shielded connector

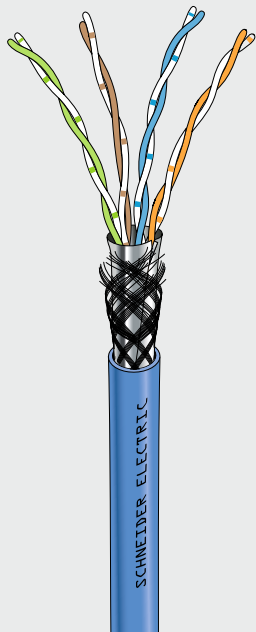
S-One



S-One DPM

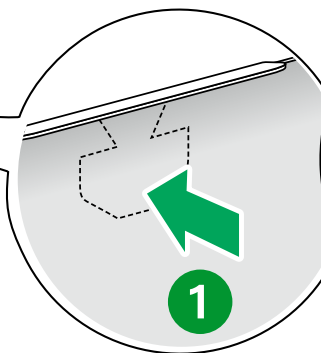
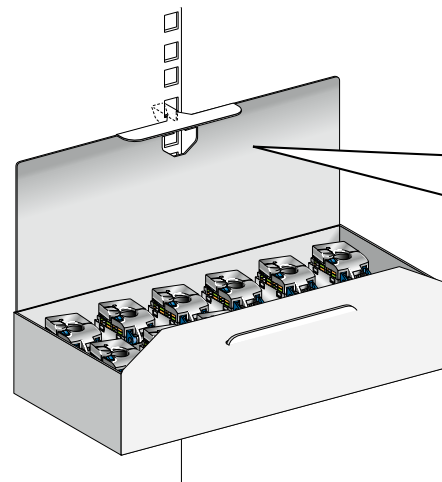
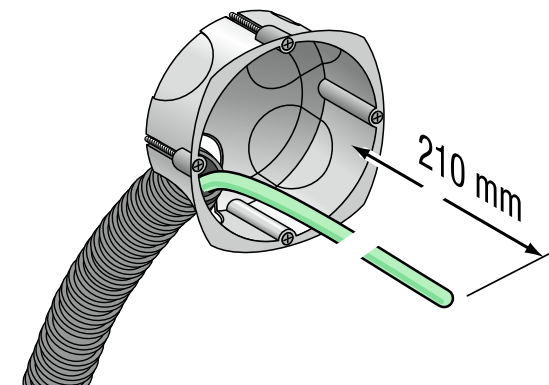


### SF/UTP



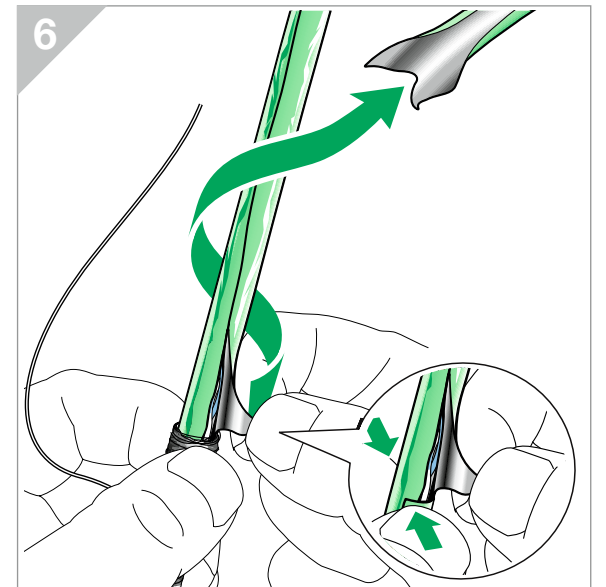
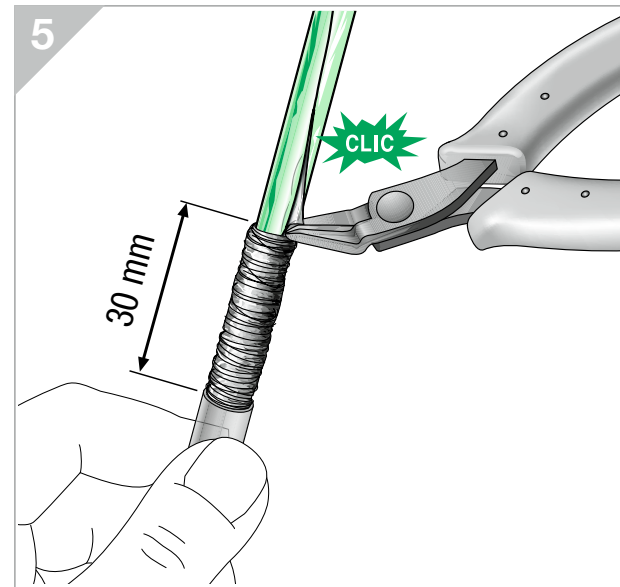
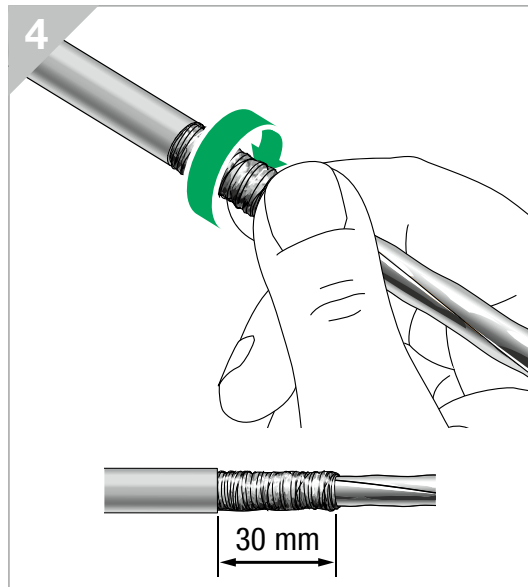
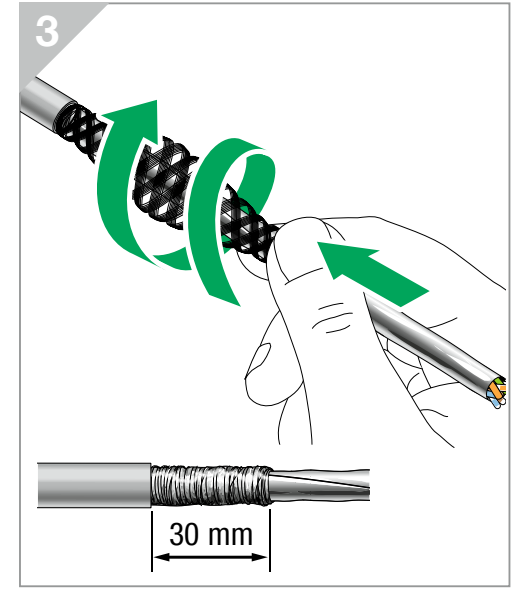
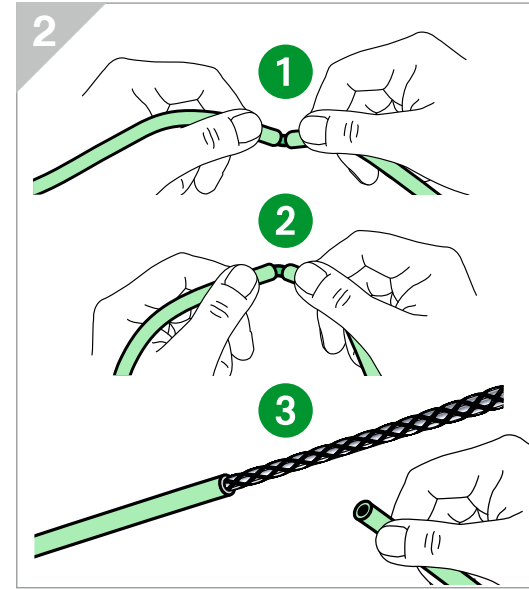
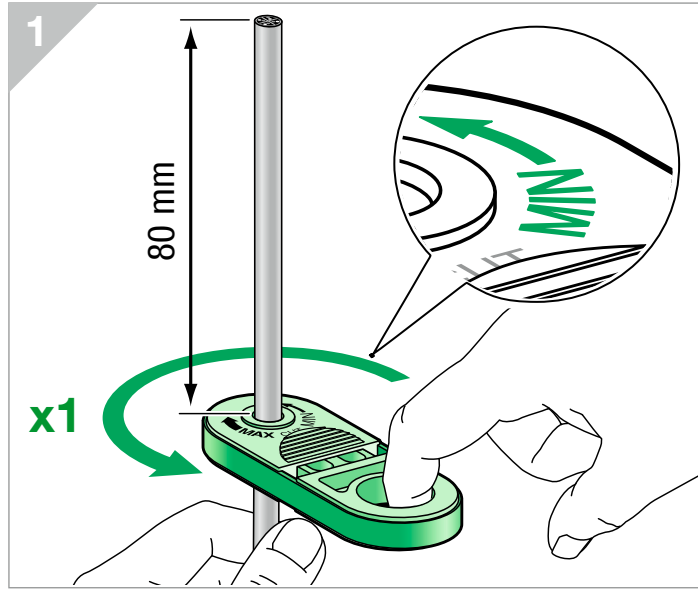
VDIR580020

x1



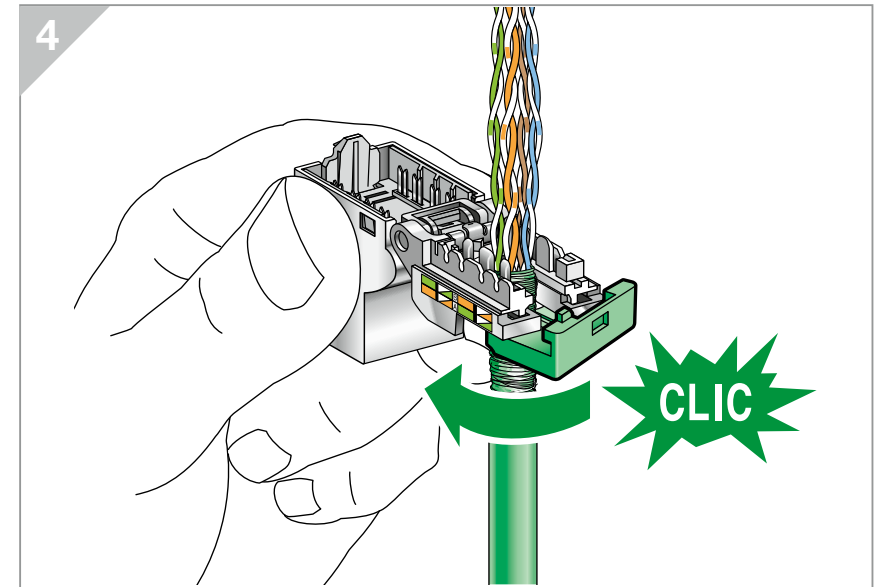
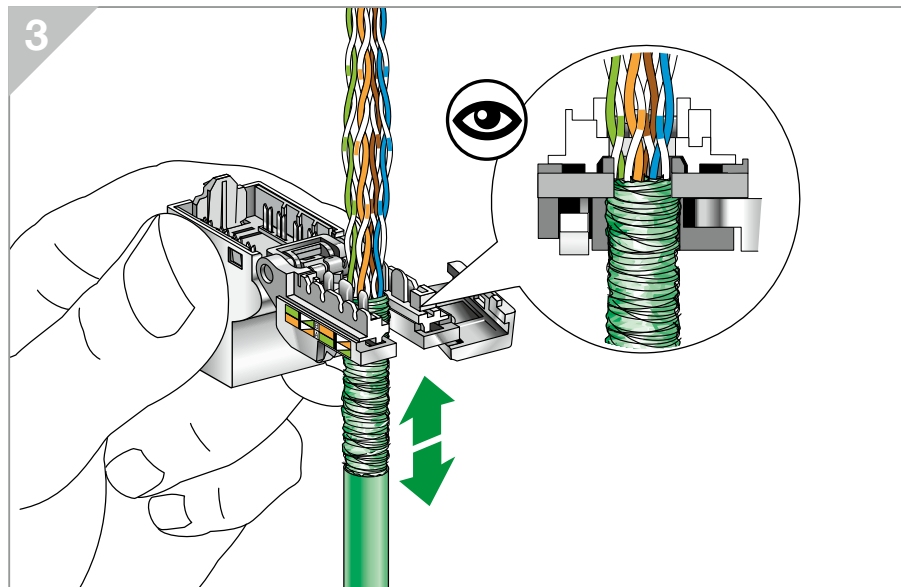
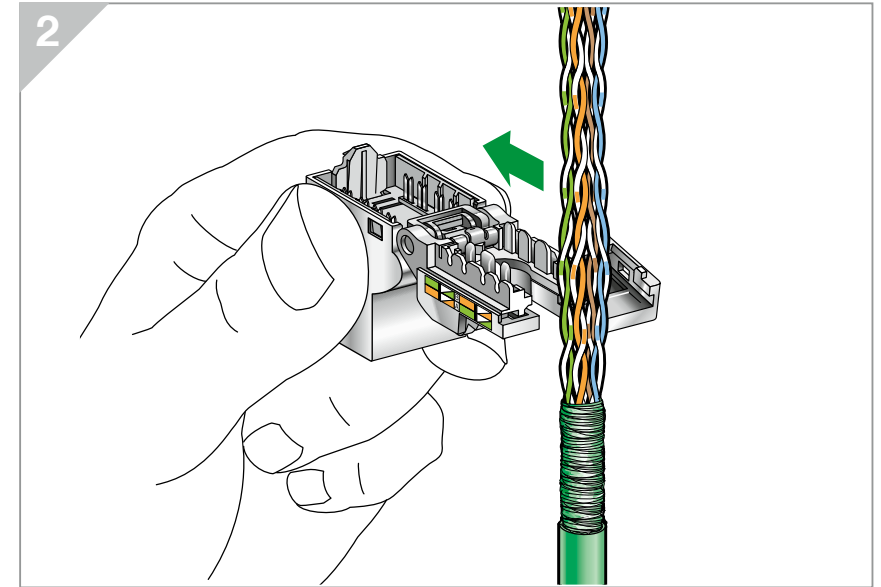
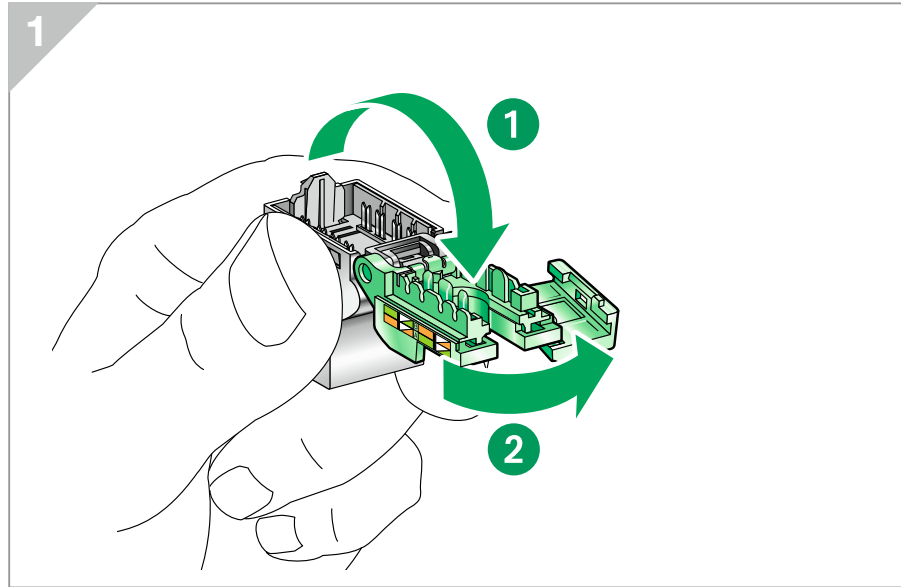
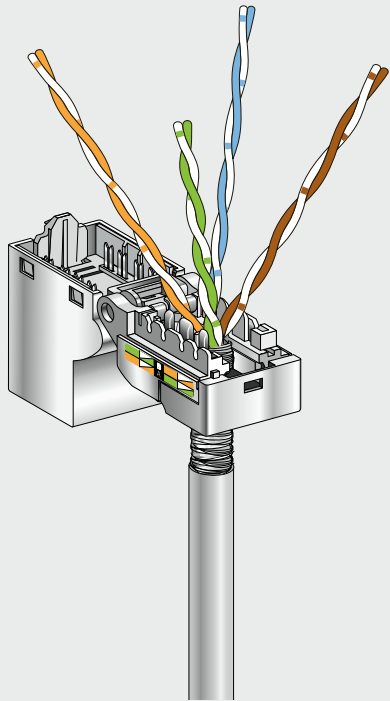
# Cable preparation

## SF/UTP



# Connector termination

SF/UTP

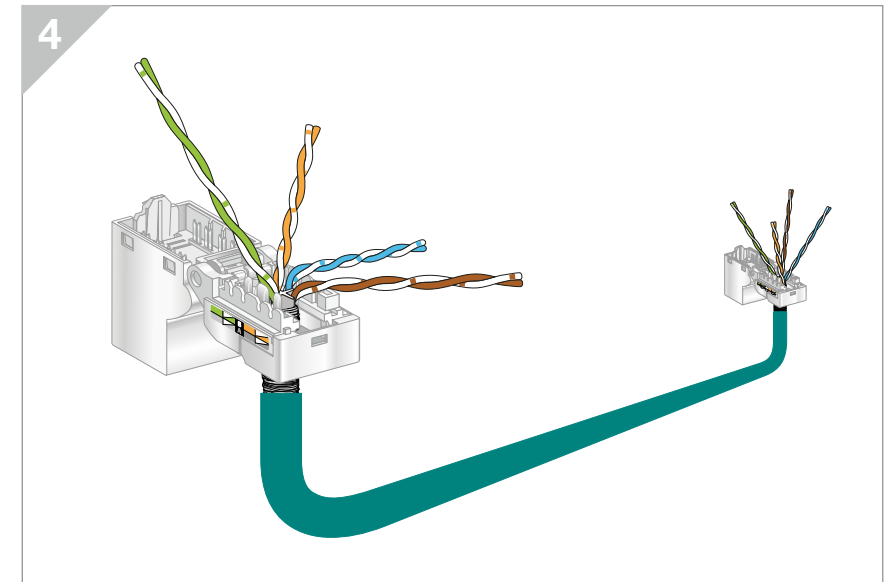
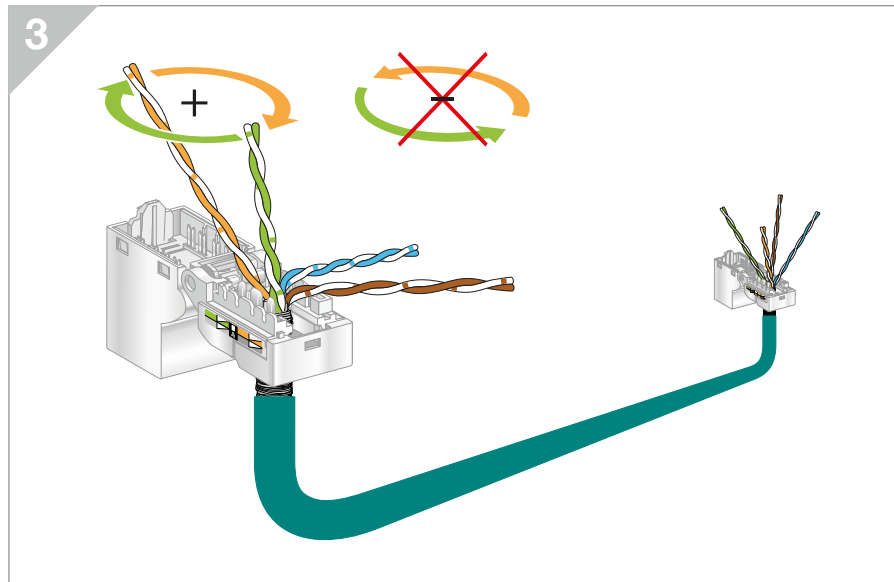
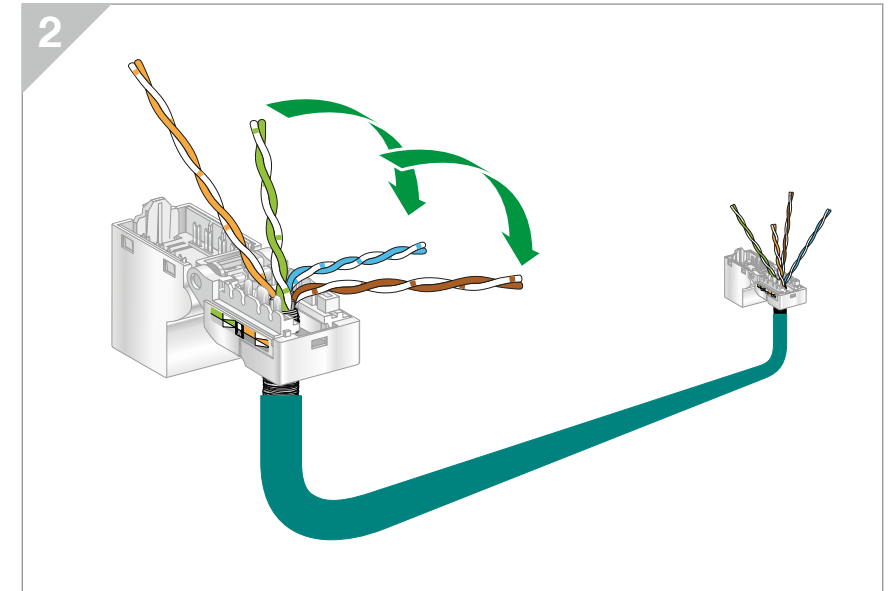
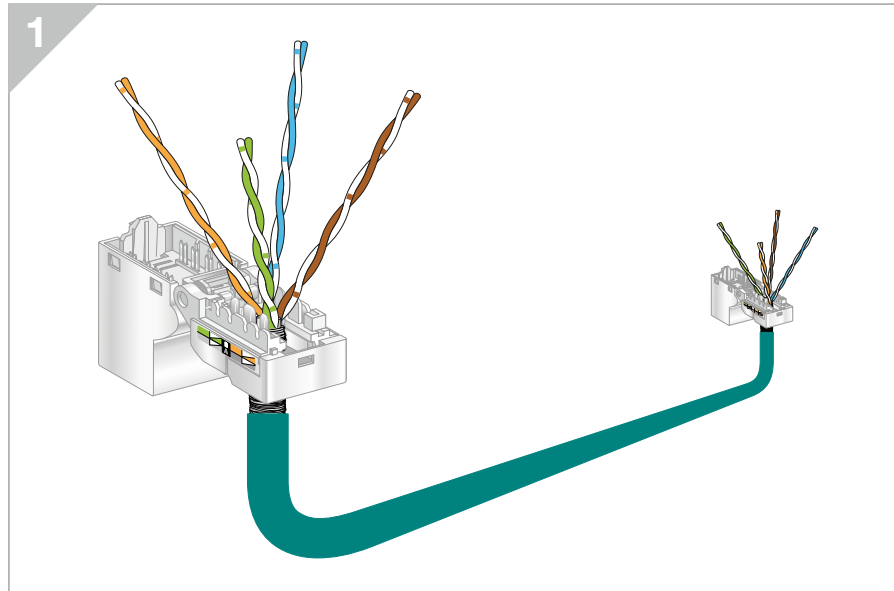
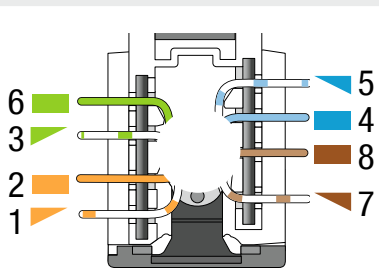


# Pairs crossing

## SF/UTP

How to prepare a SF/UTP cable acc. to T568B wiring code to reach high performance

EIA-TIA 568B (100Ω)

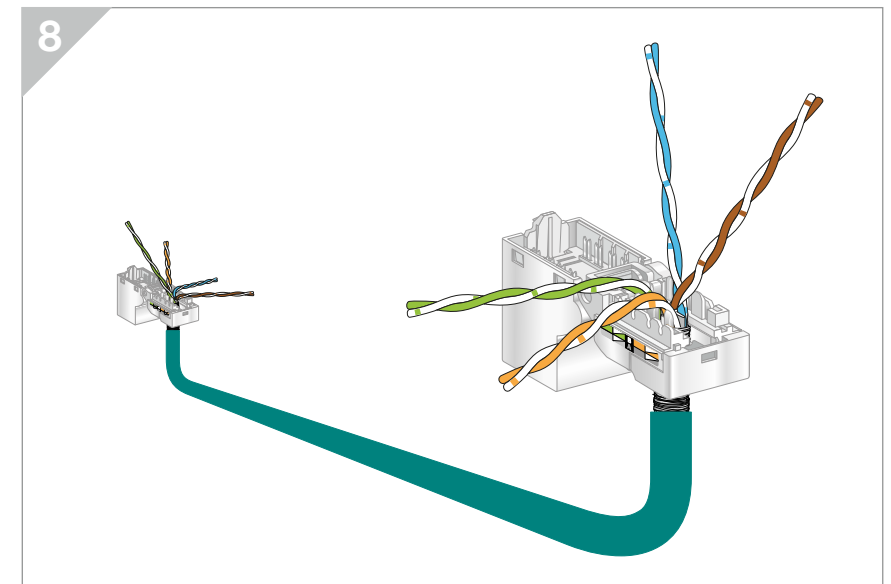
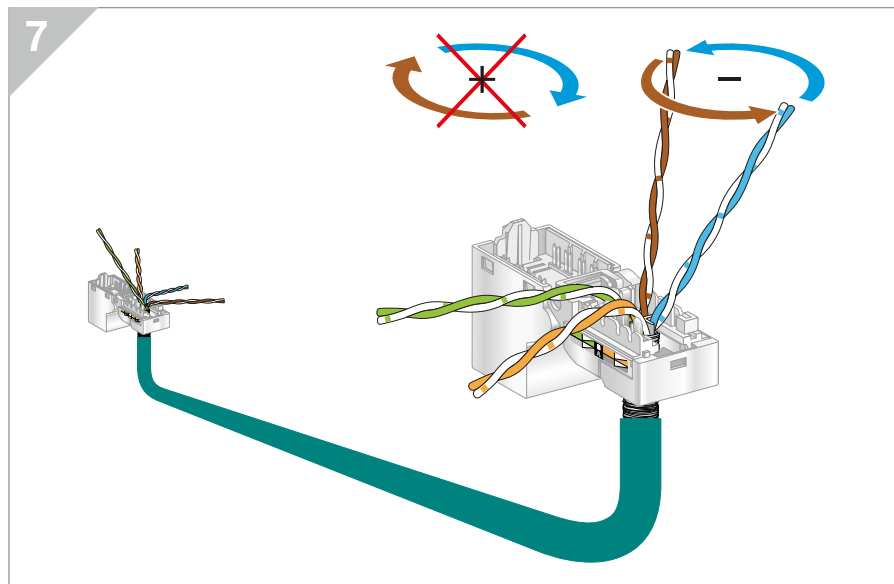
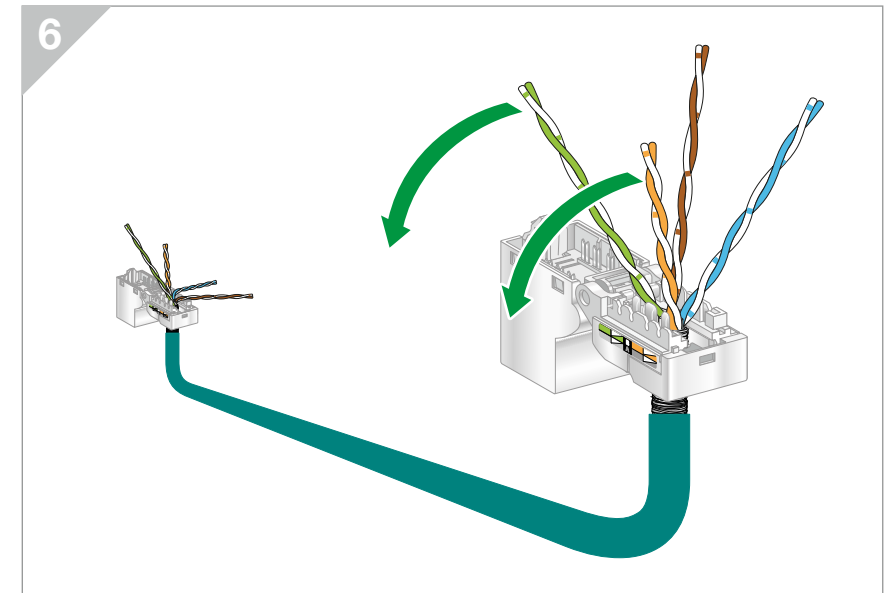
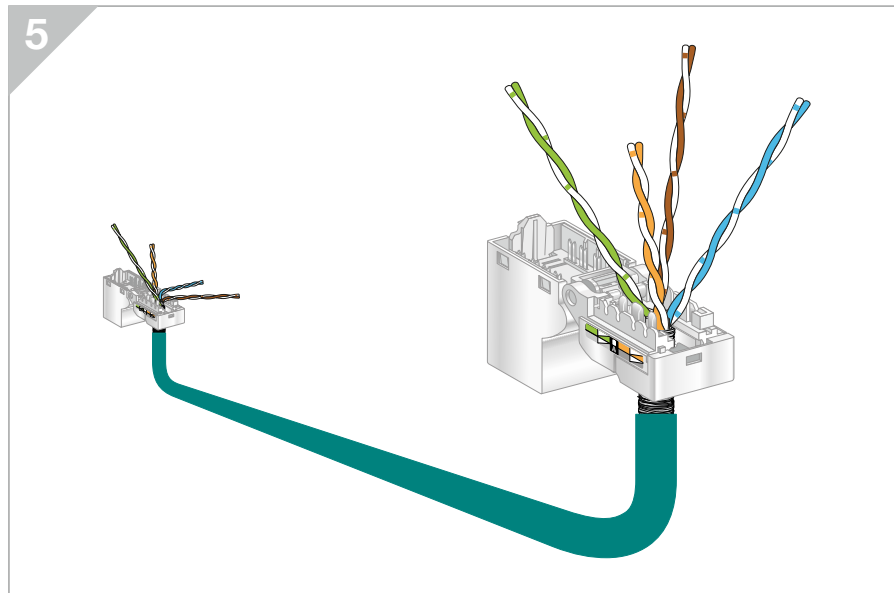
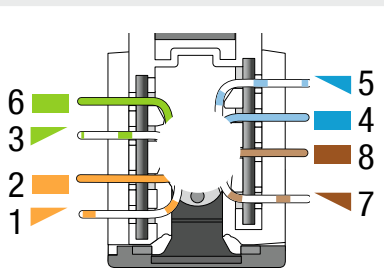


## Pairs crossing

### SF/UTP

How to prepare a SF/UTP cable acc. to T568B wiring code to reach high performance

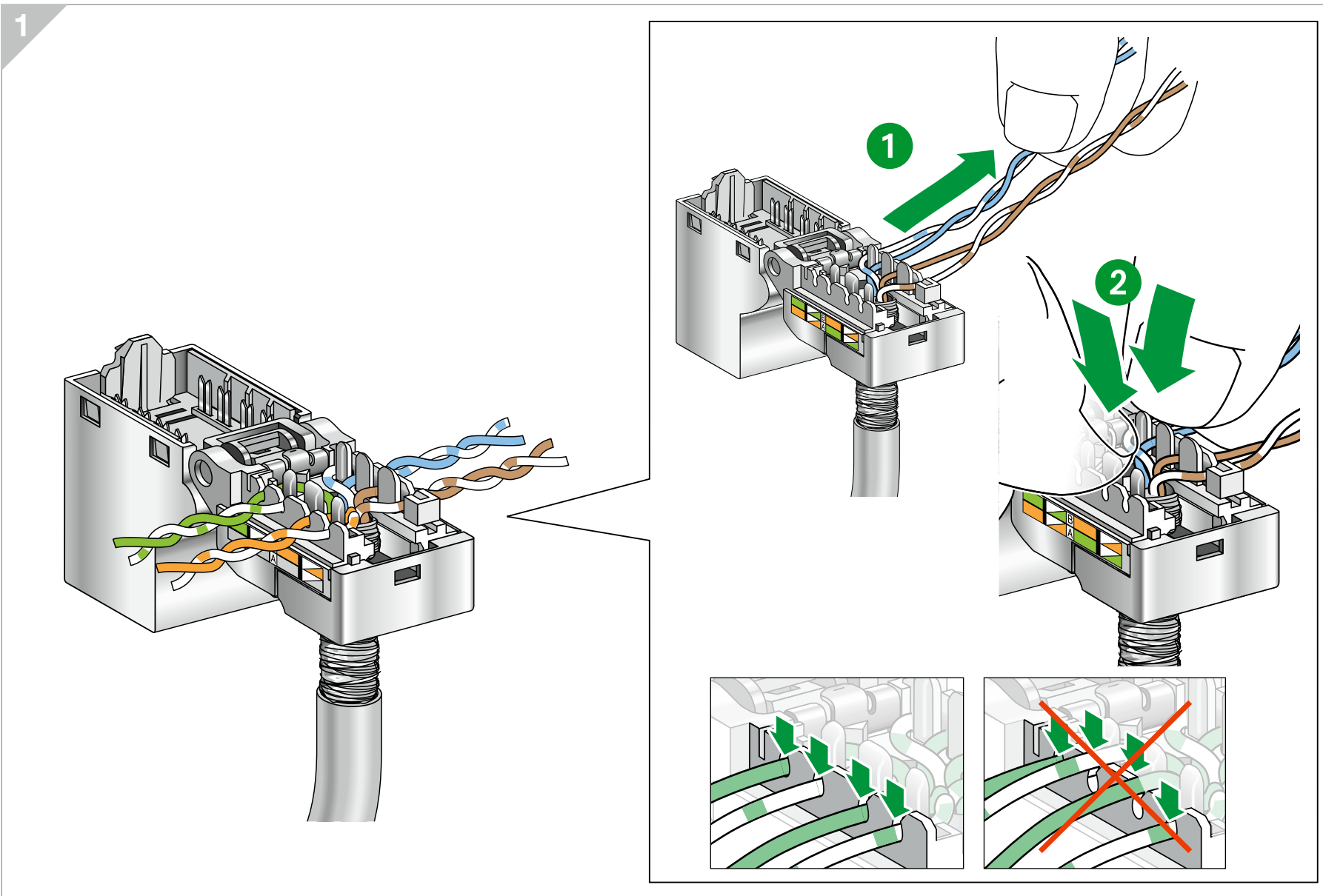
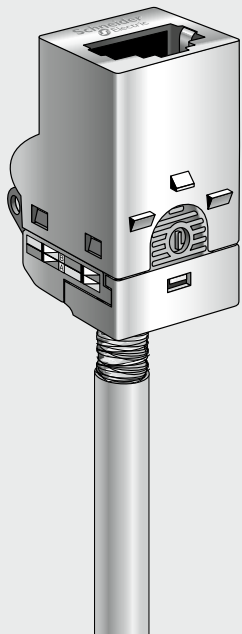
EIA-TIA 568B (100Ω)





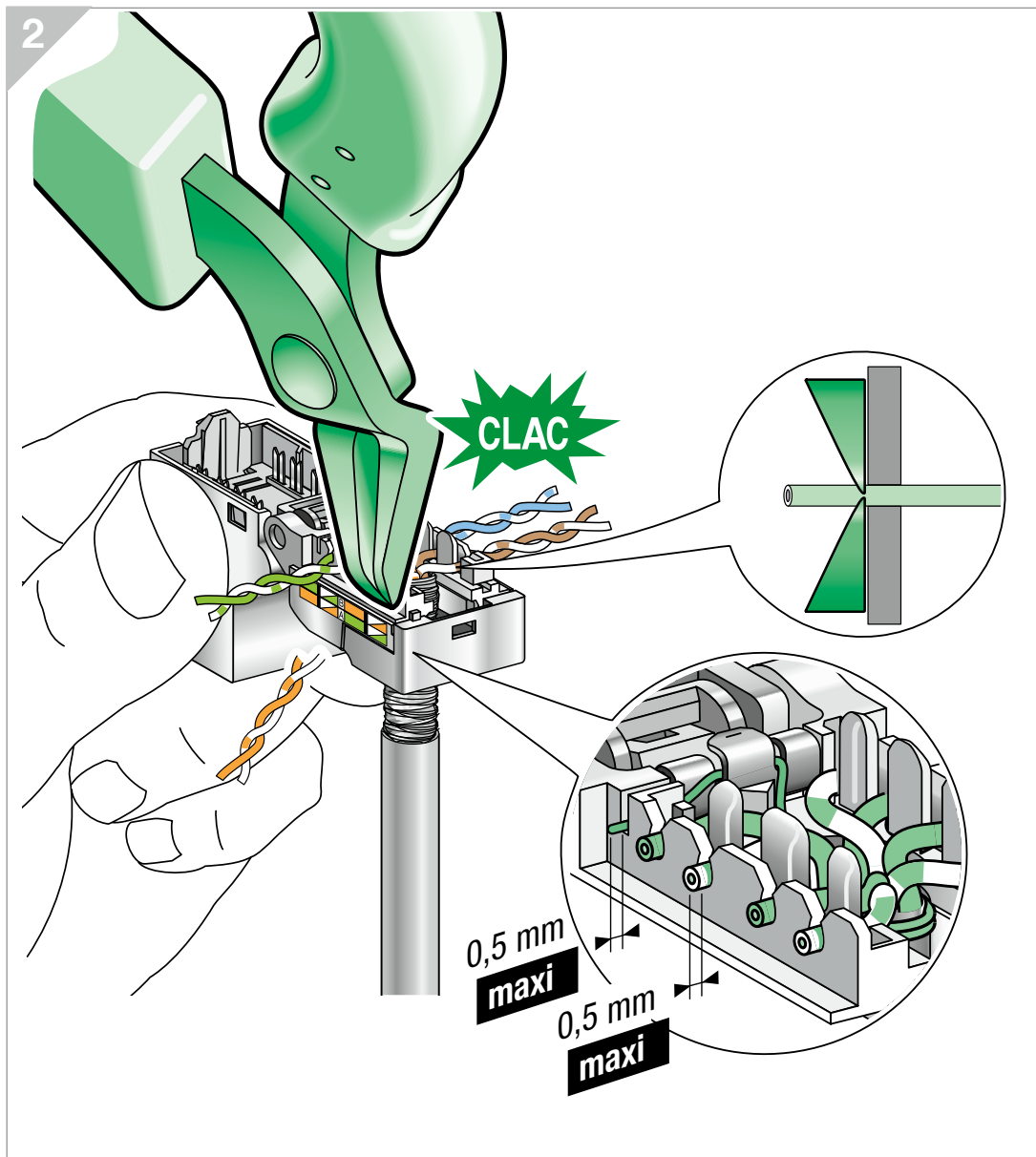
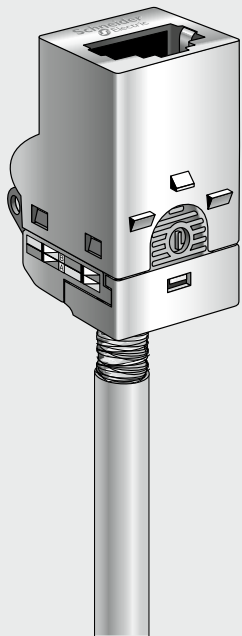
# Connector connection

## SF/UTP



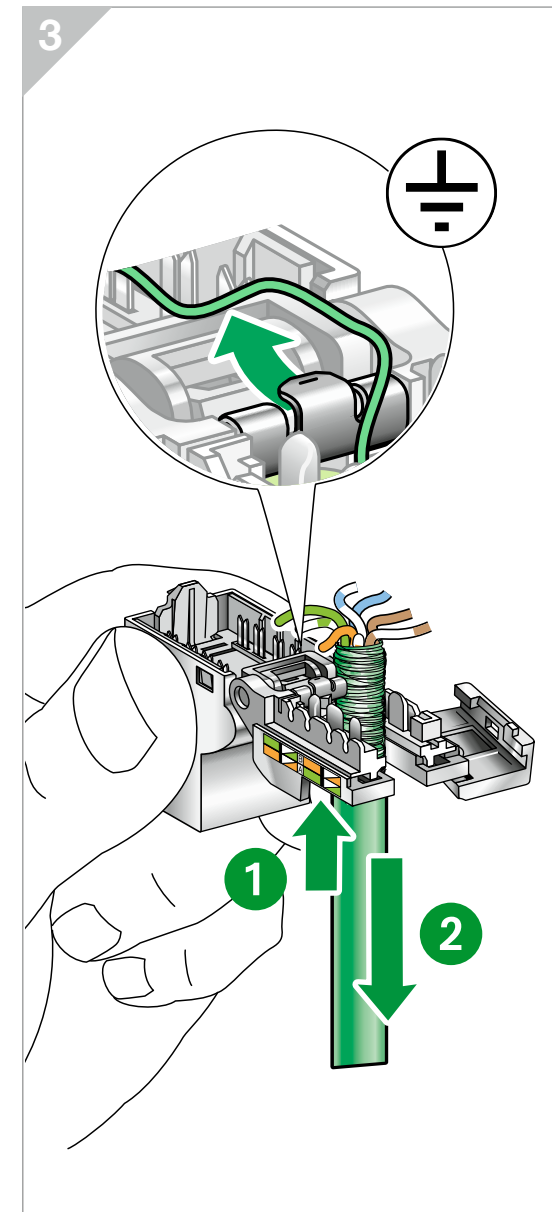
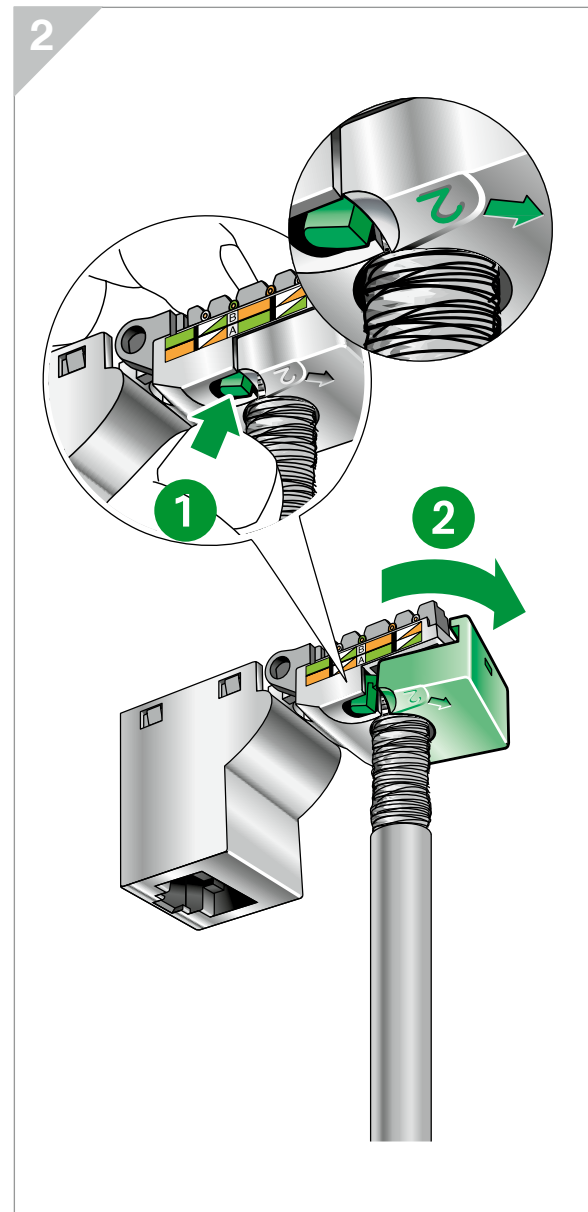
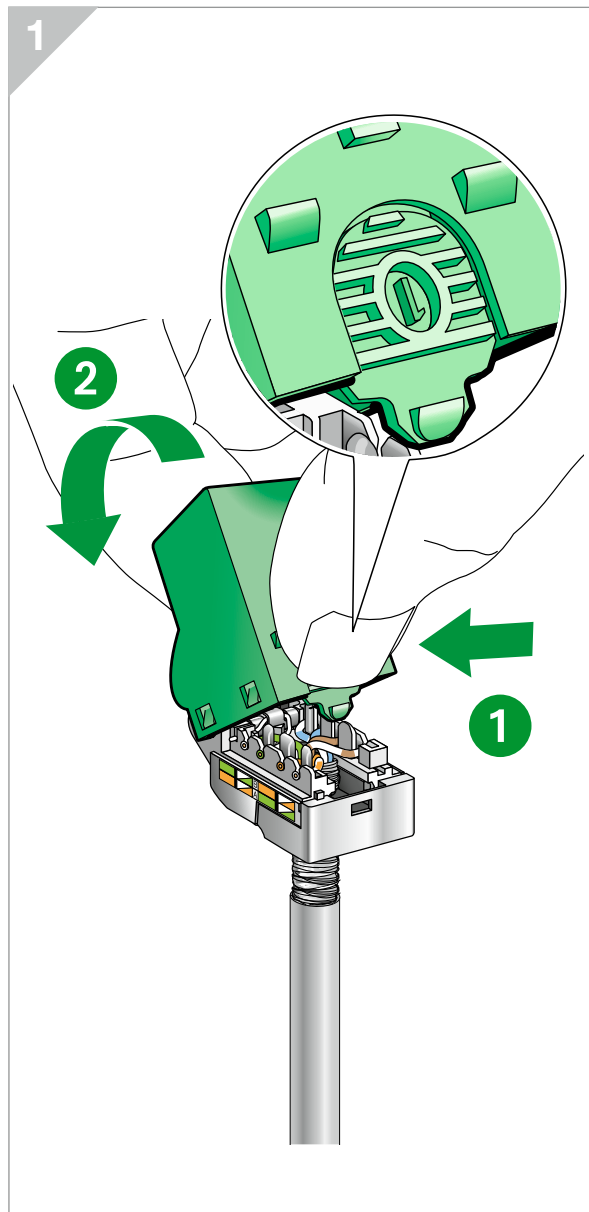
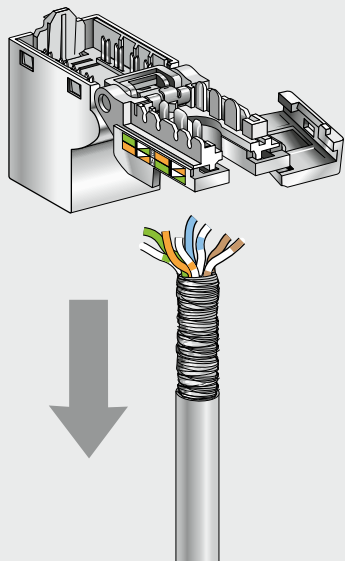
## Connector connection

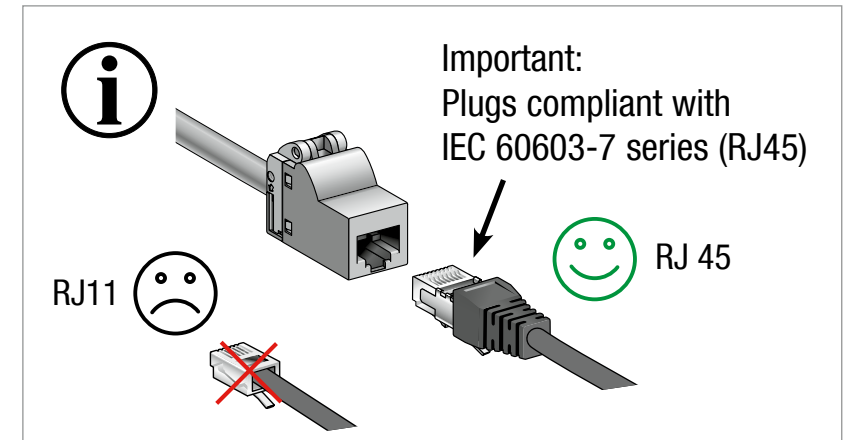
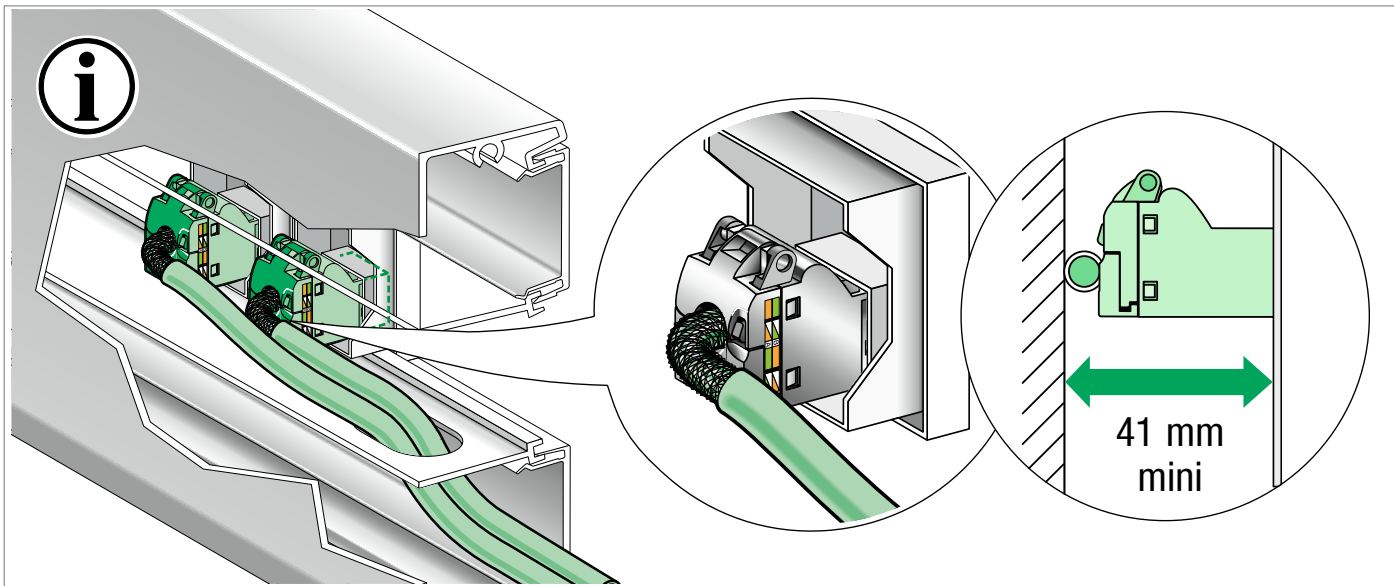
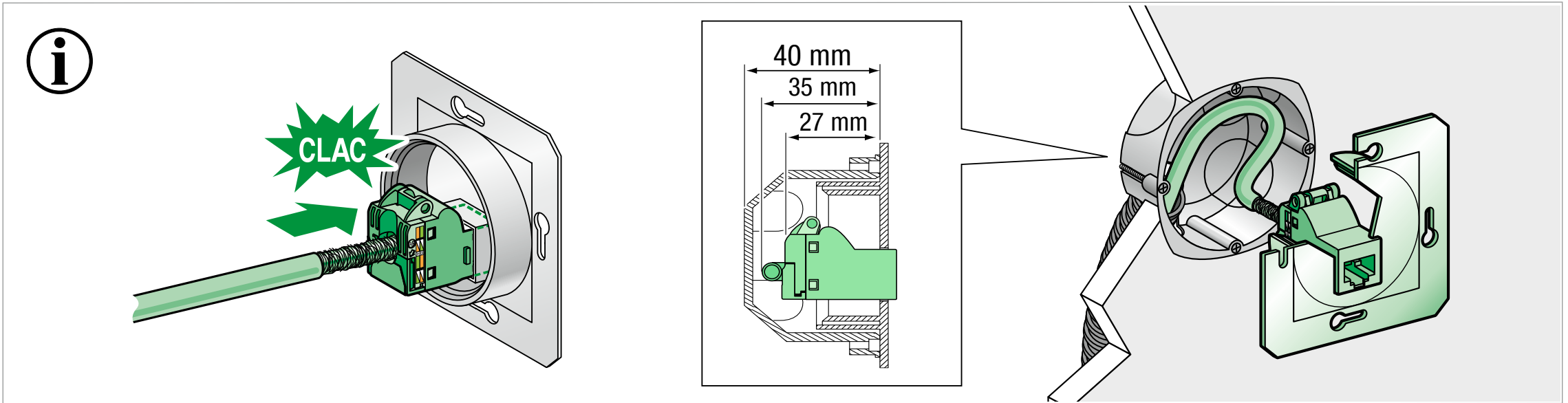
### SF/UTP



## Connector disconnection

### SF/UTP

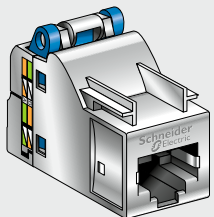




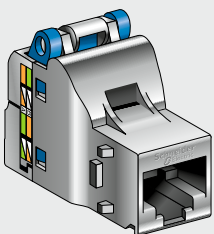
## Composition

### Shielded connector

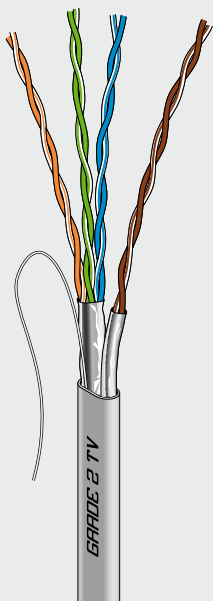
S-One



S-One DPM

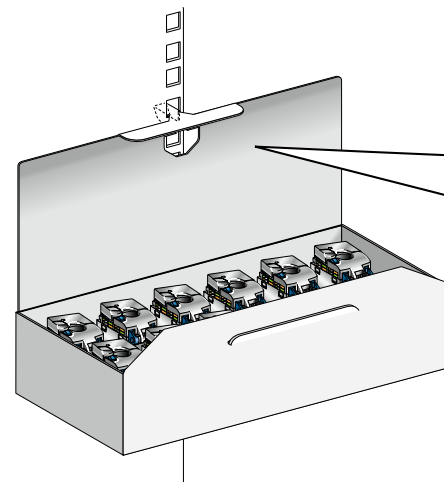
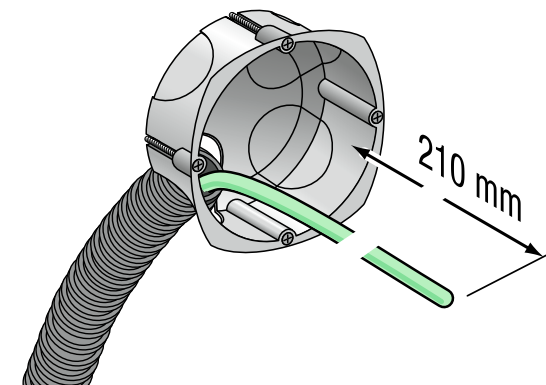


### Grade 2 TV



VDIR580020

x1



1

2

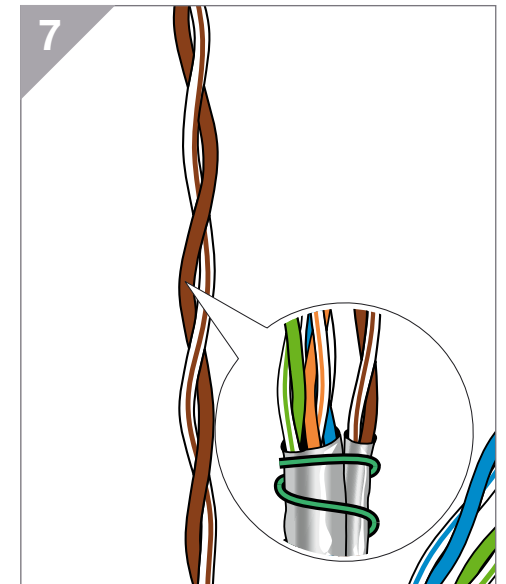
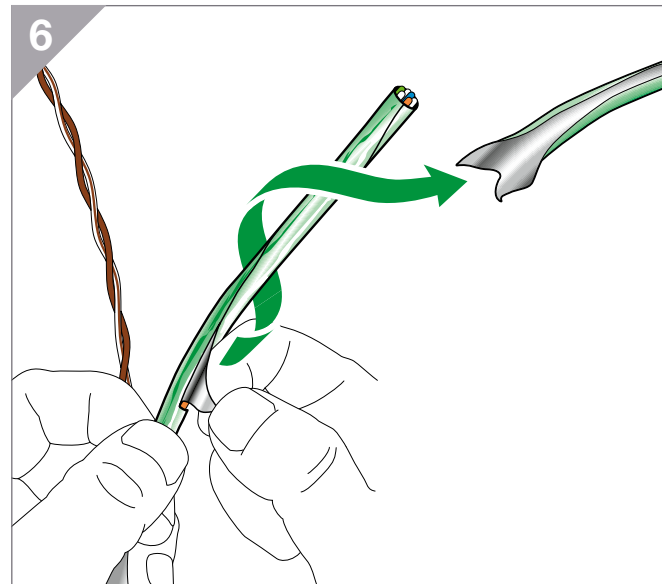
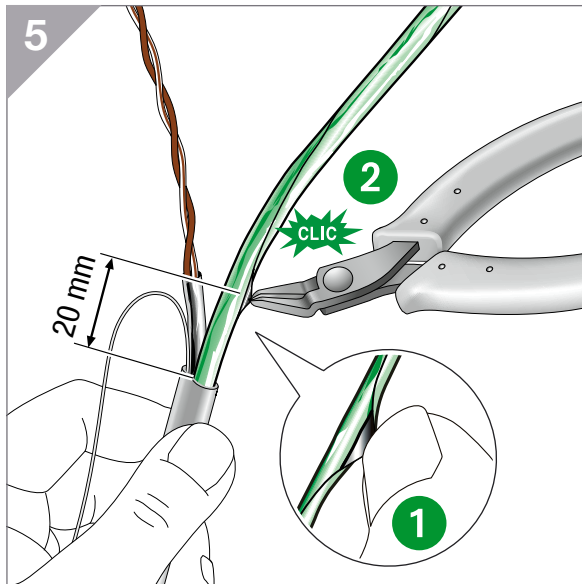
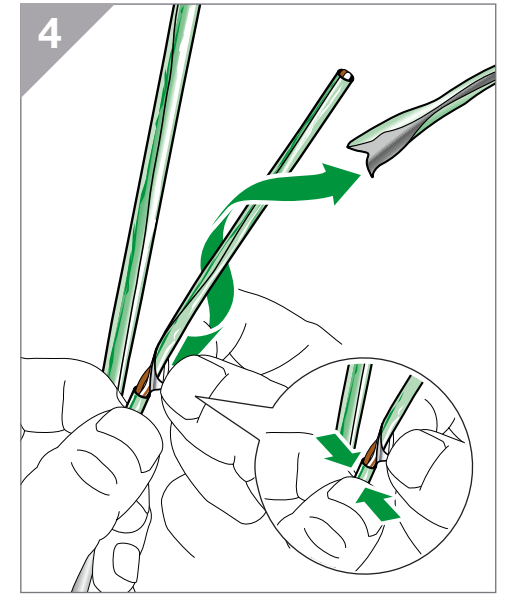
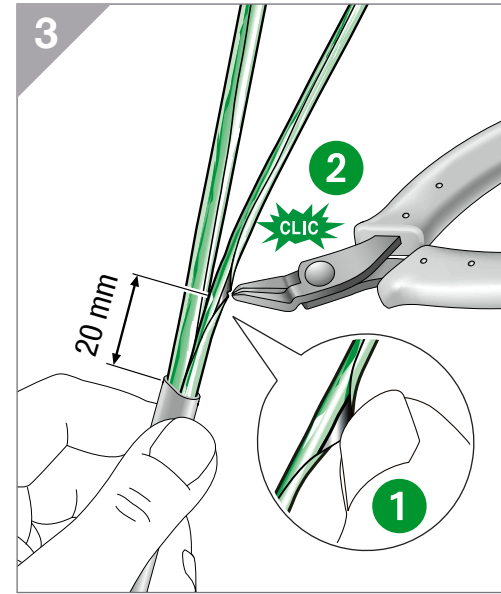
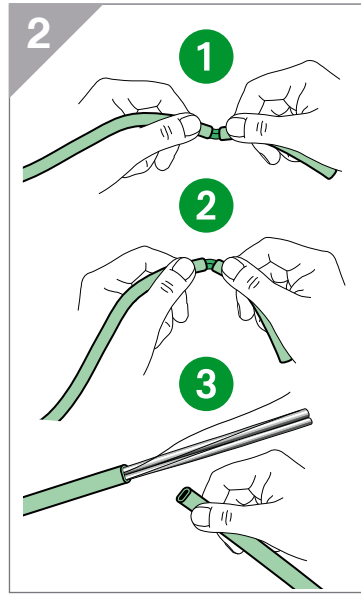
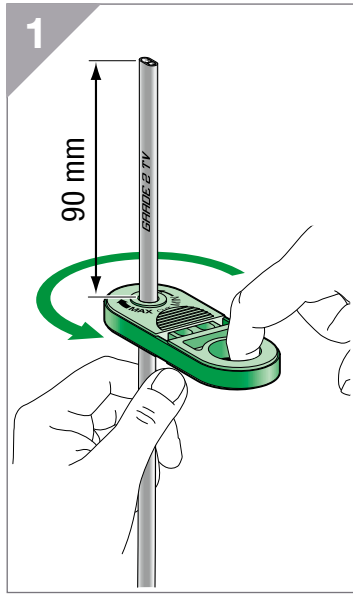
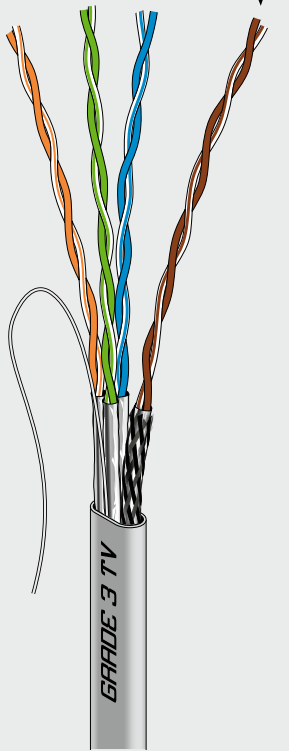
3



# Cable preparation

## Grade 2 TV

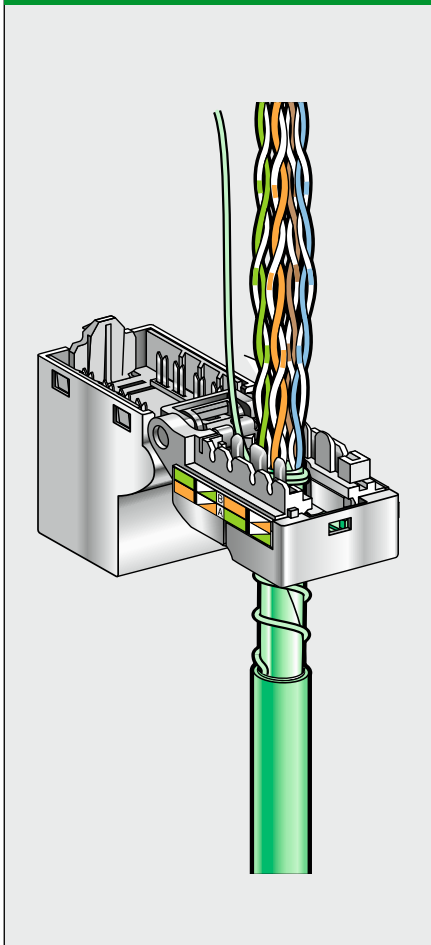
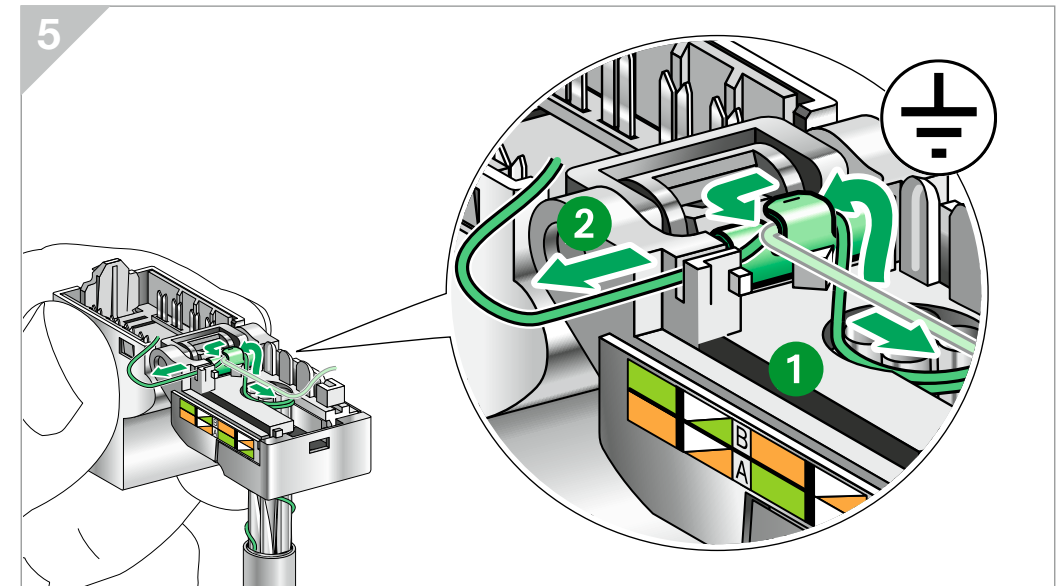
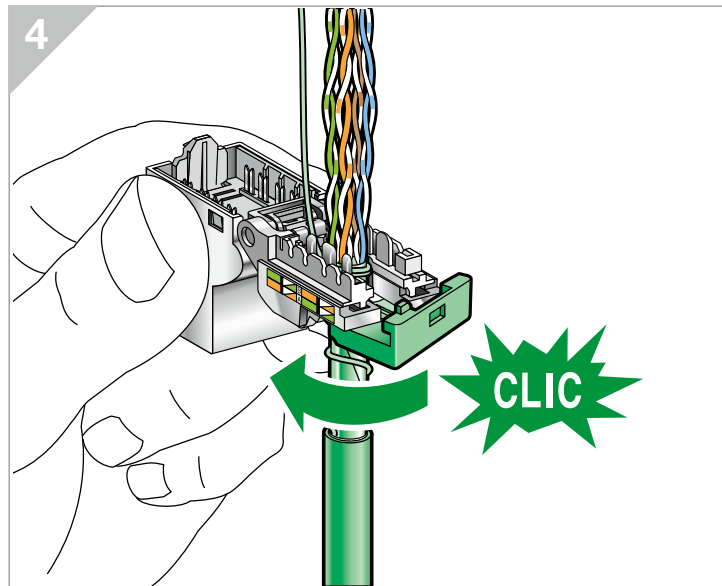
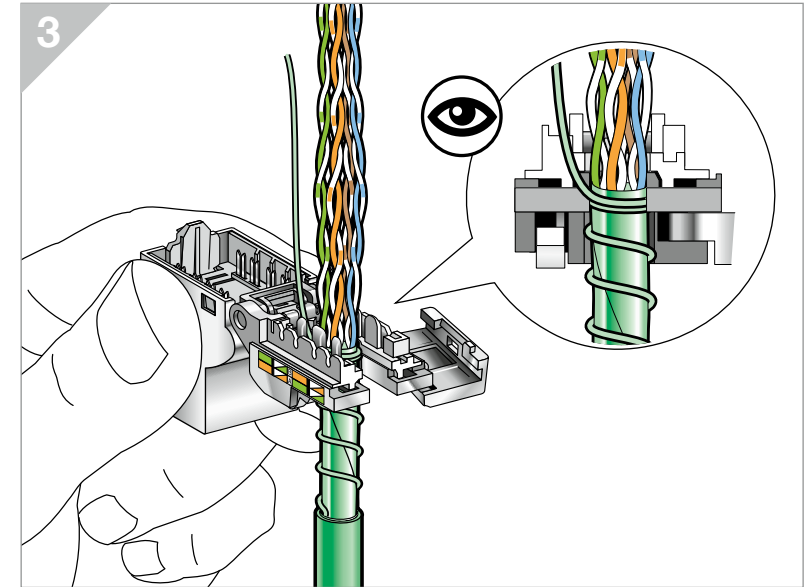
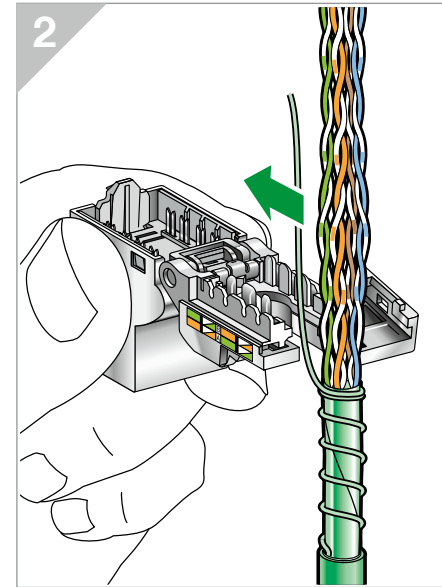
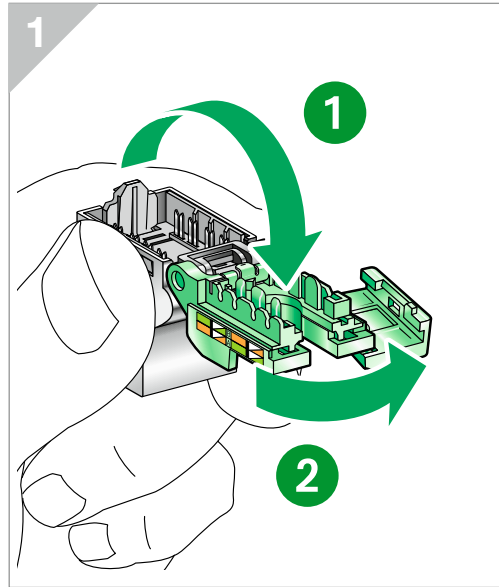
Paire 7/8





# Connector termination

## Grade 2 TV

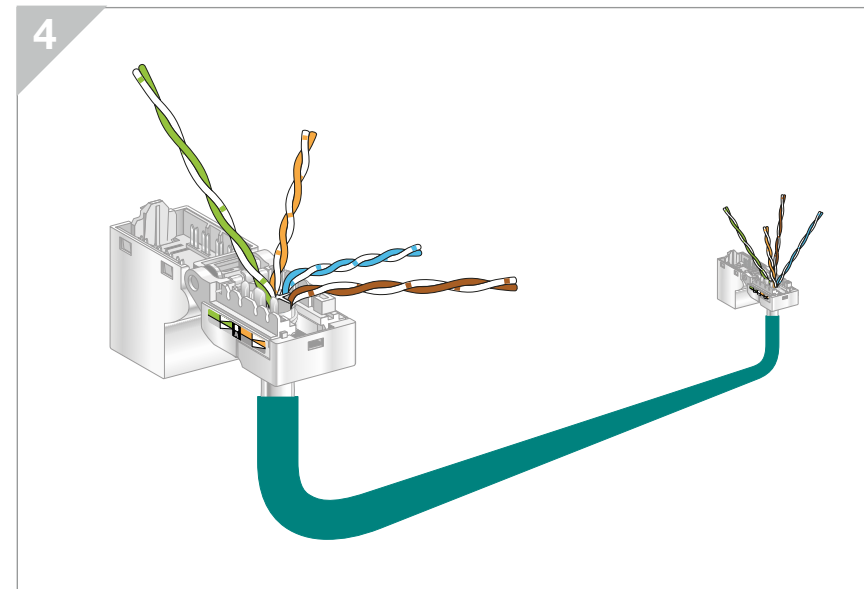
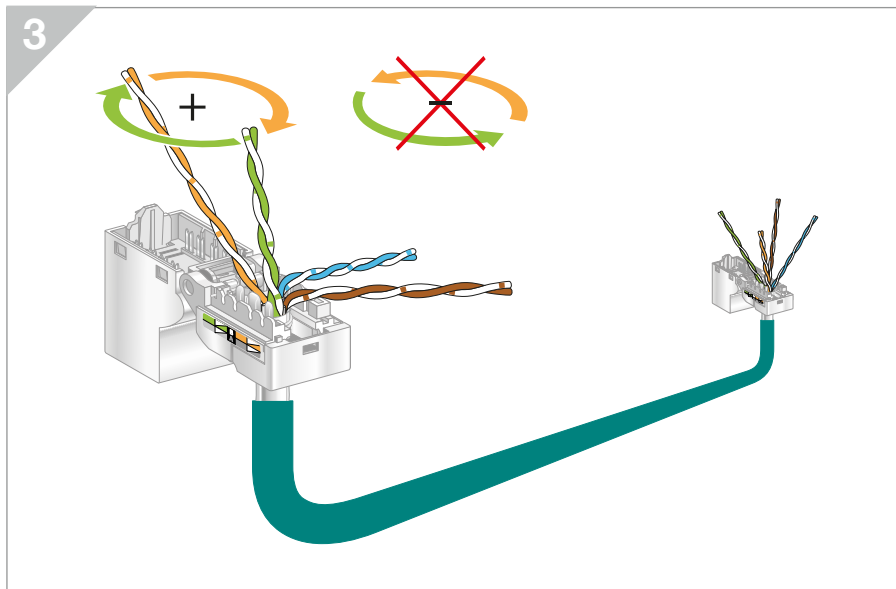
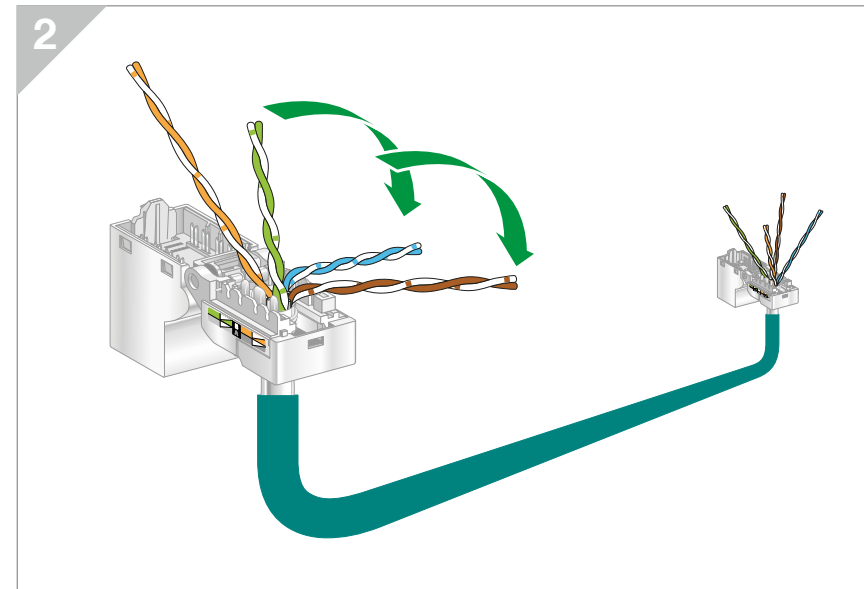
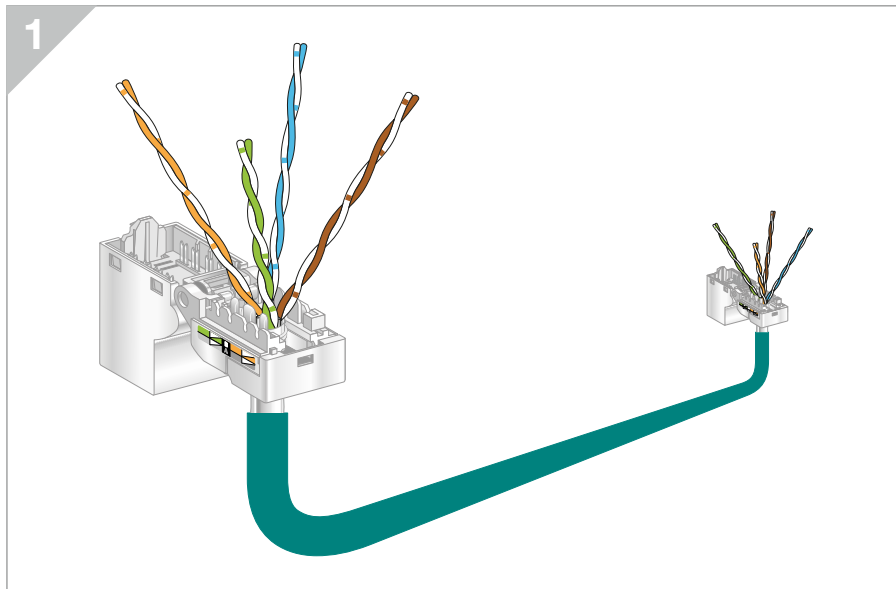
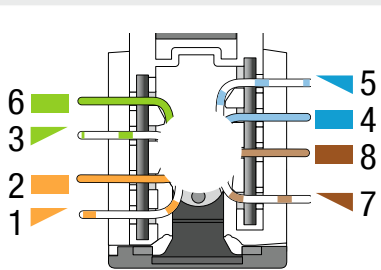


## Pairs crossing

### Grade 2 TV

How to prepare a Grade 2 TV cable acc. to T568B wiring code to reach high performance

EIA-TIA 568B (100Ω)

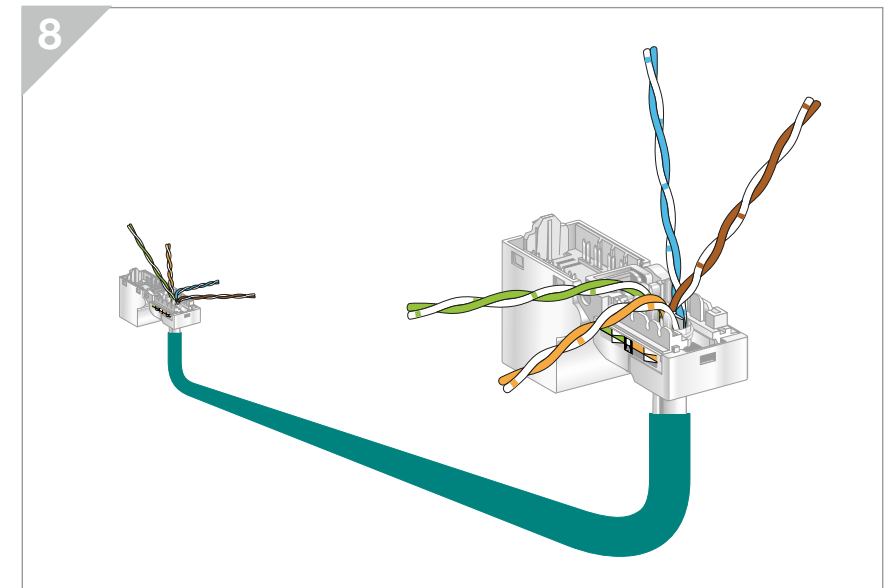
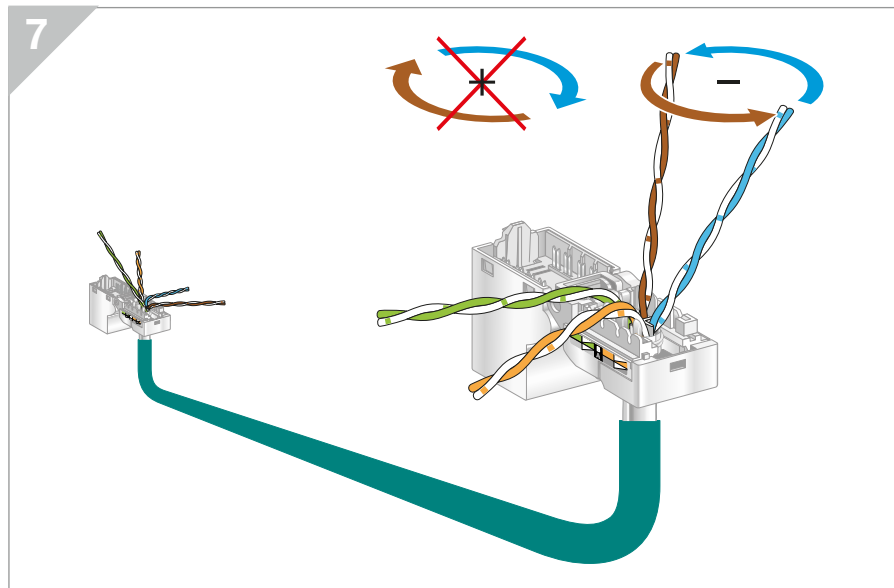
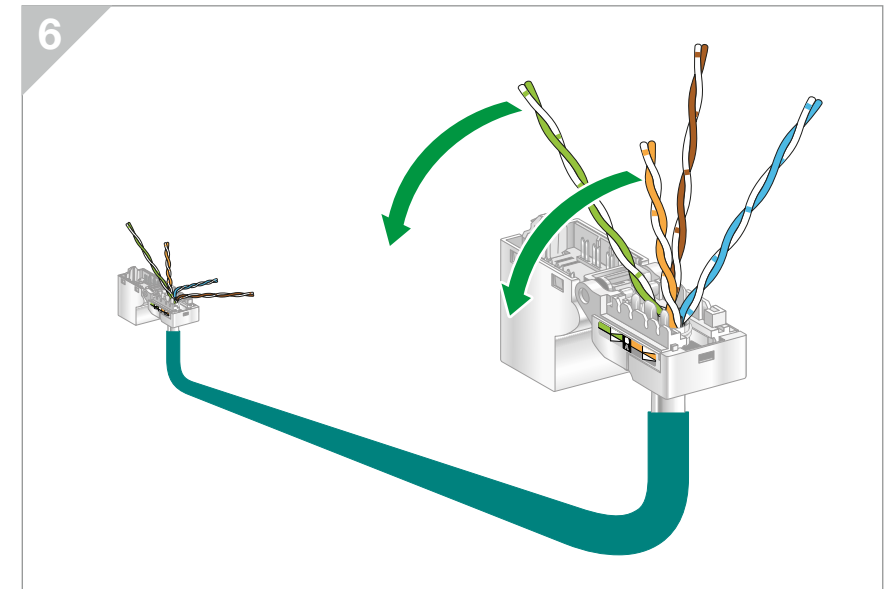
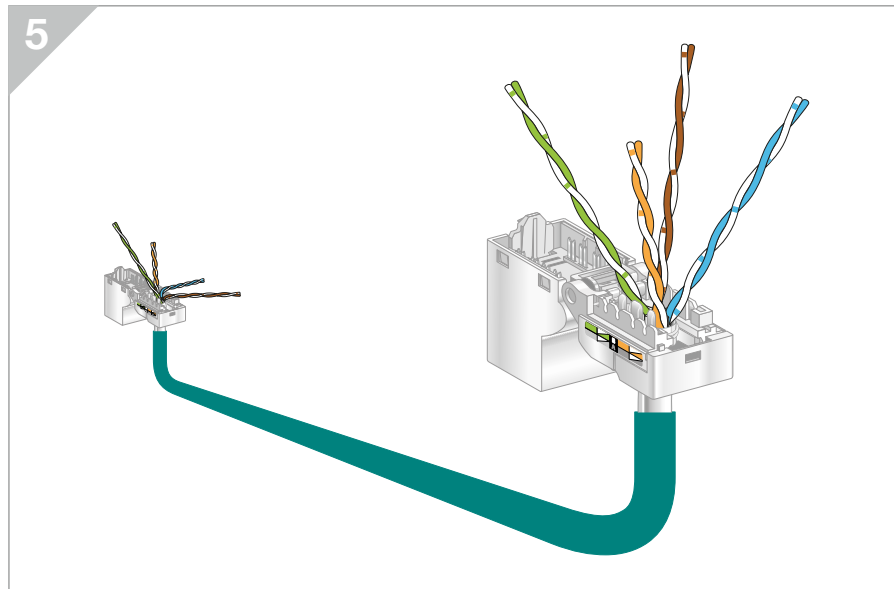
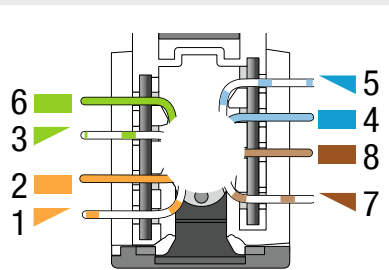


## Pairs crossing

### Grade 2 TV

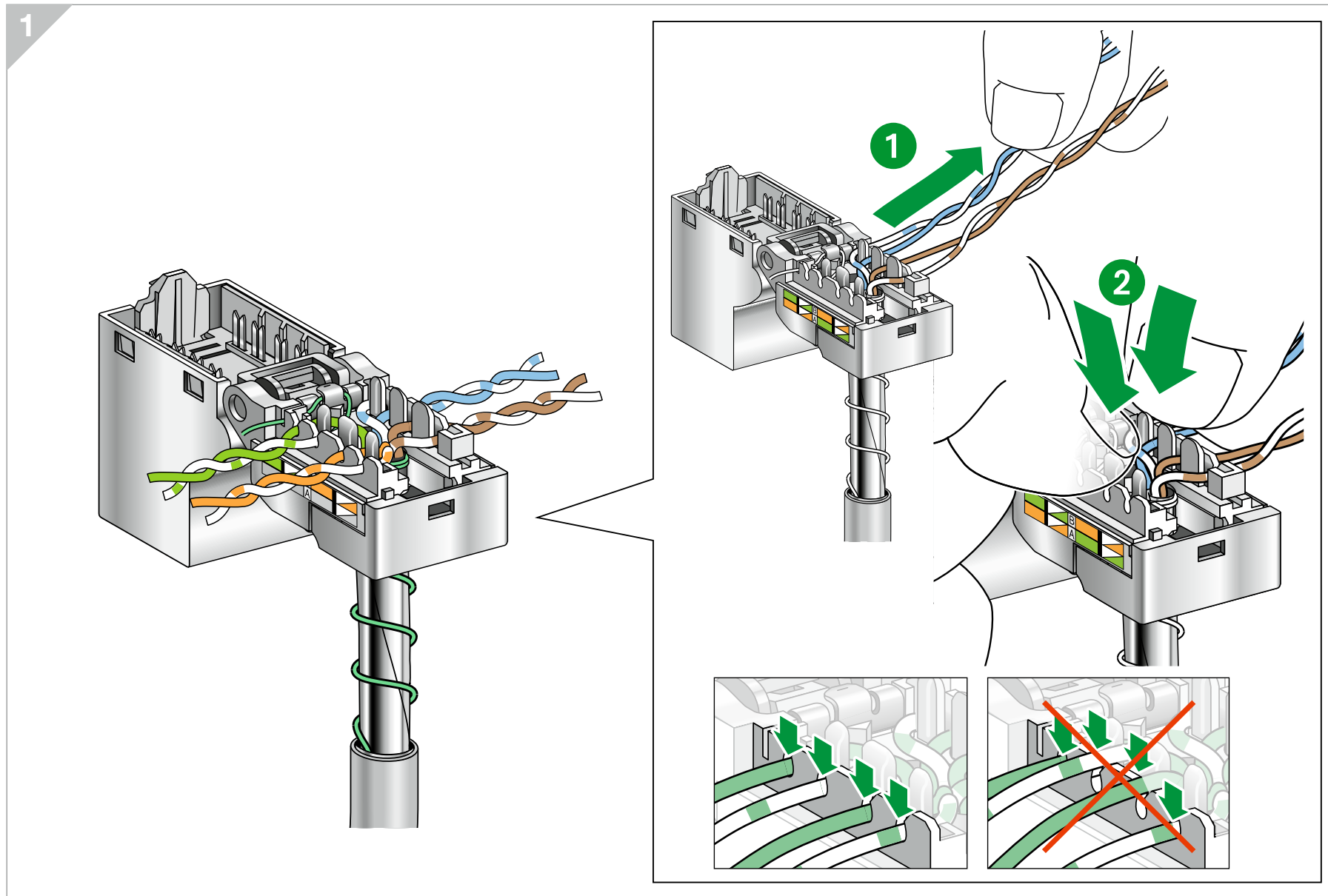
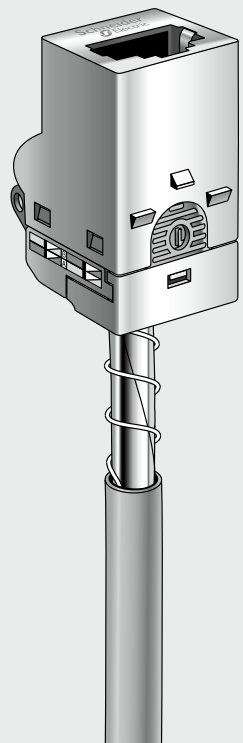
How to prepare a Grade 2 TV cable acc. to T568B wiring code to reach high performance

EIA-TIA 568B (100Ω)



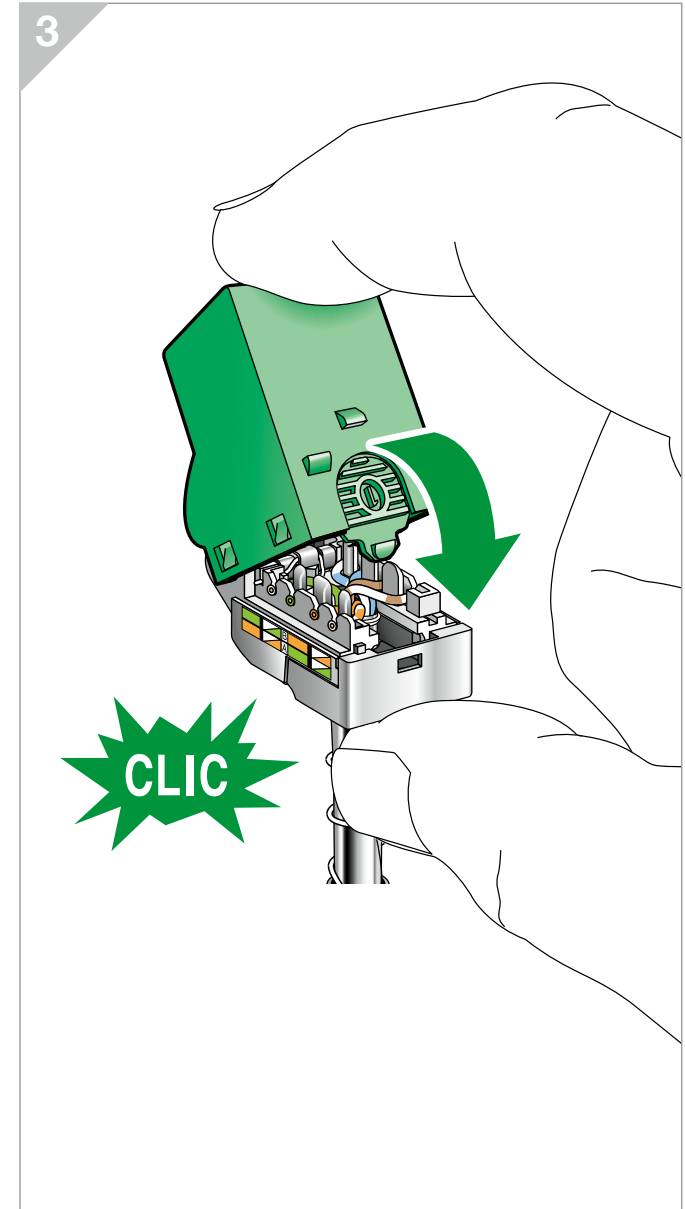
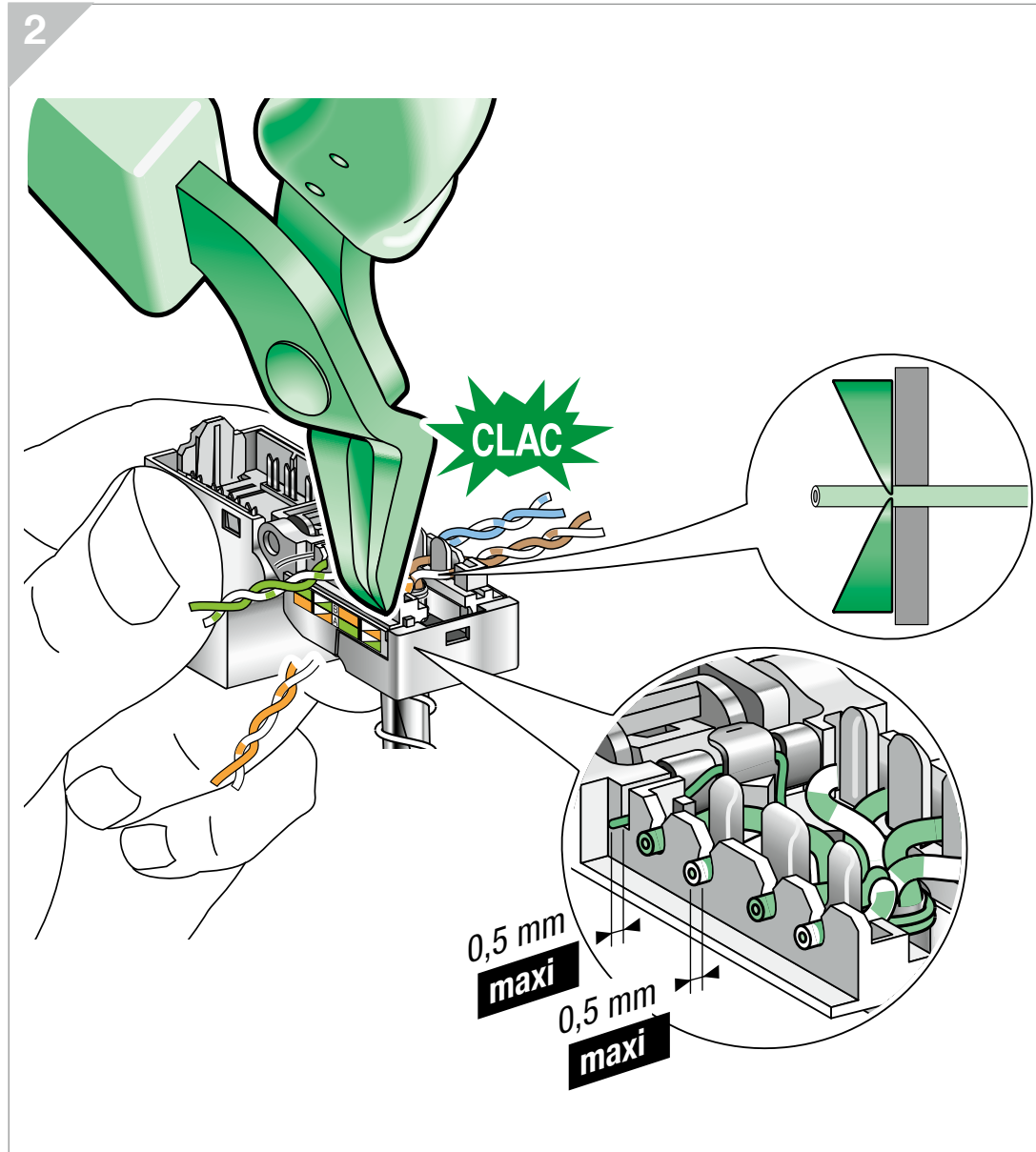
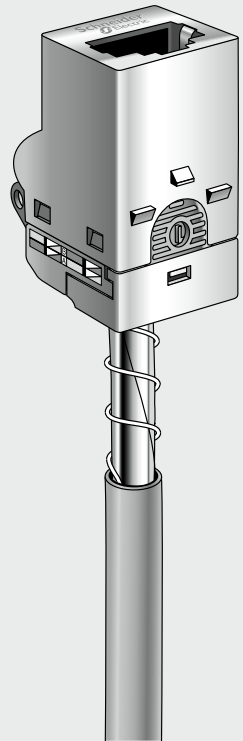
# Connector connection

## Grade 2 TV



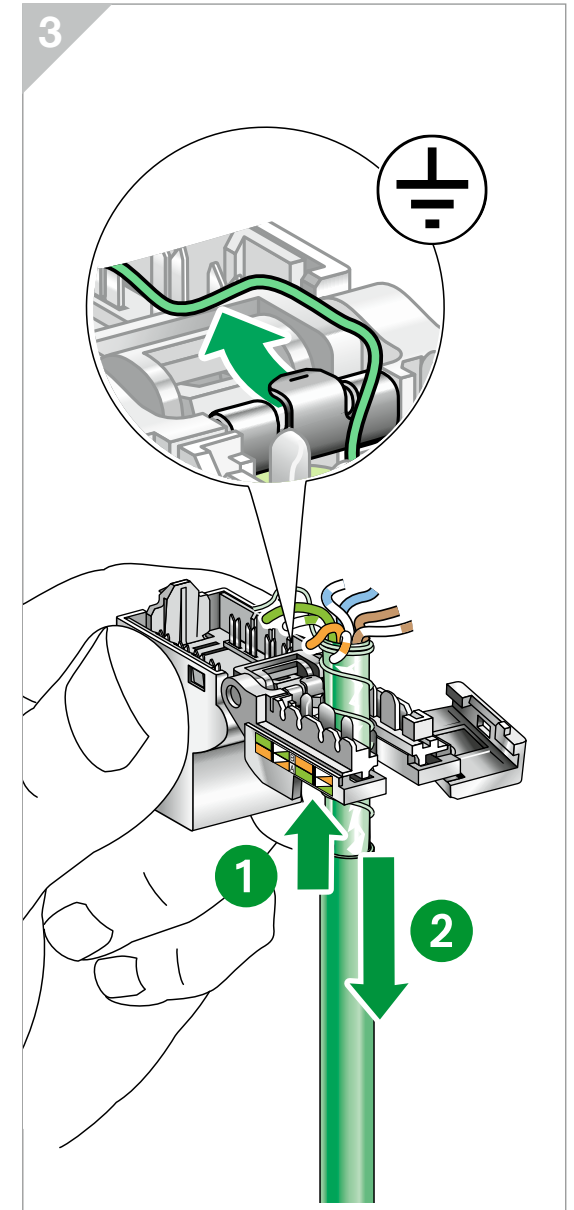
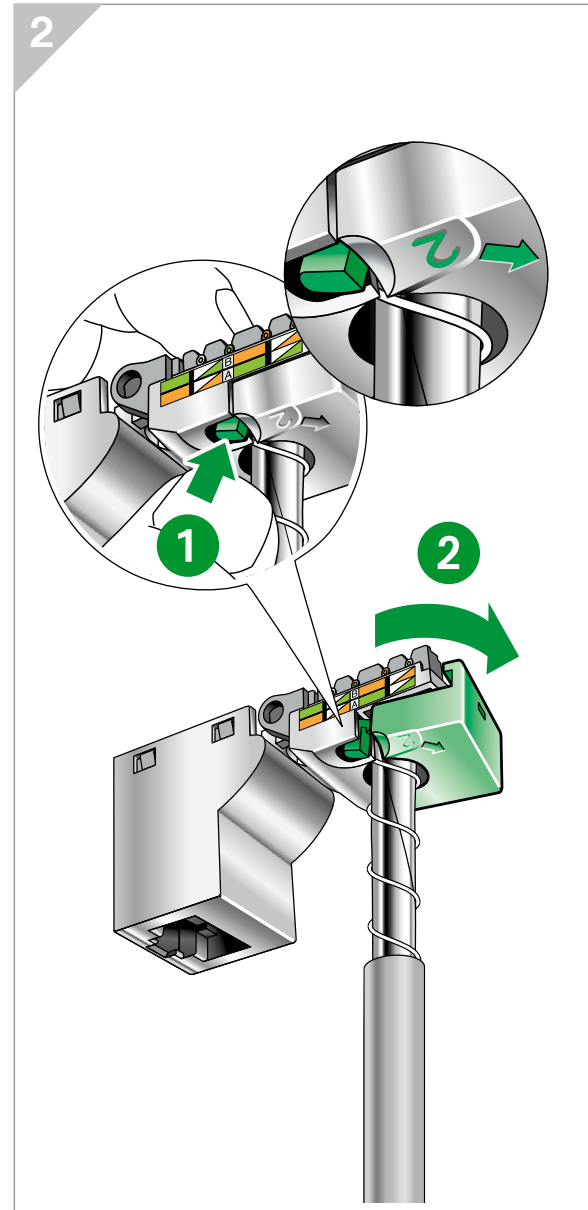
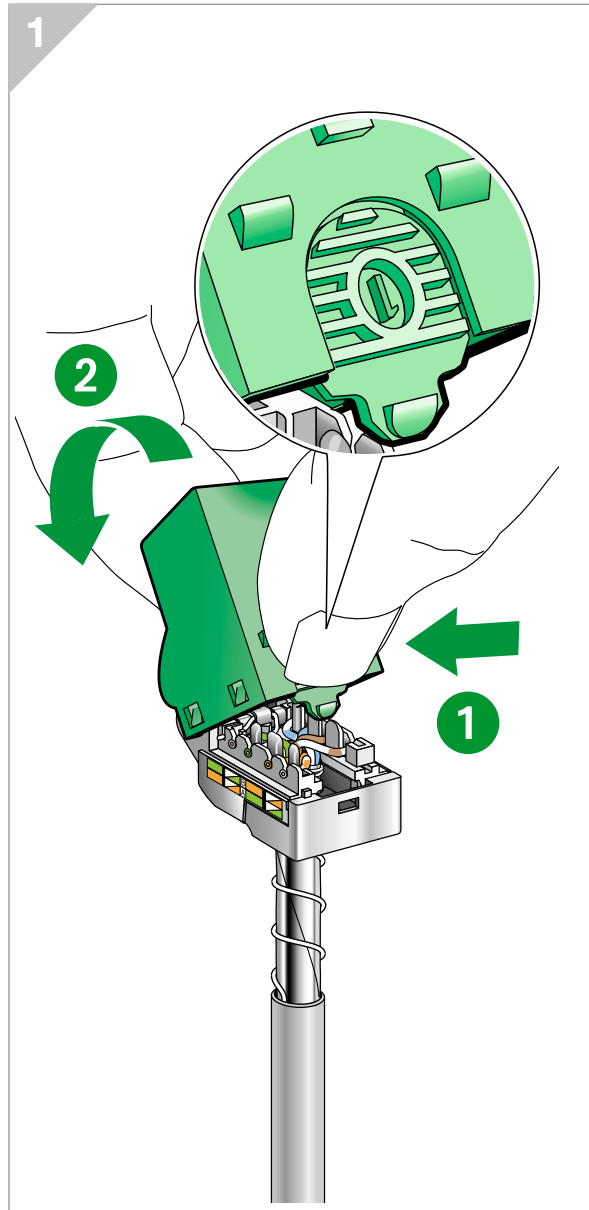
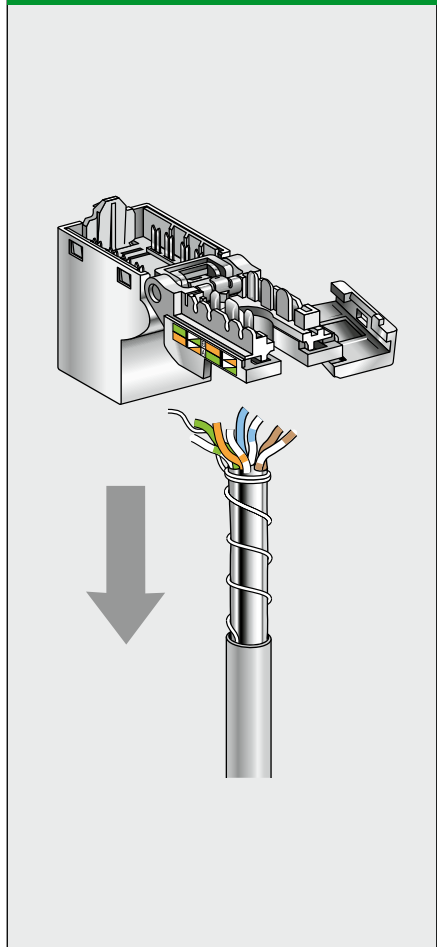
## Connector connection

### Grade 2 TV

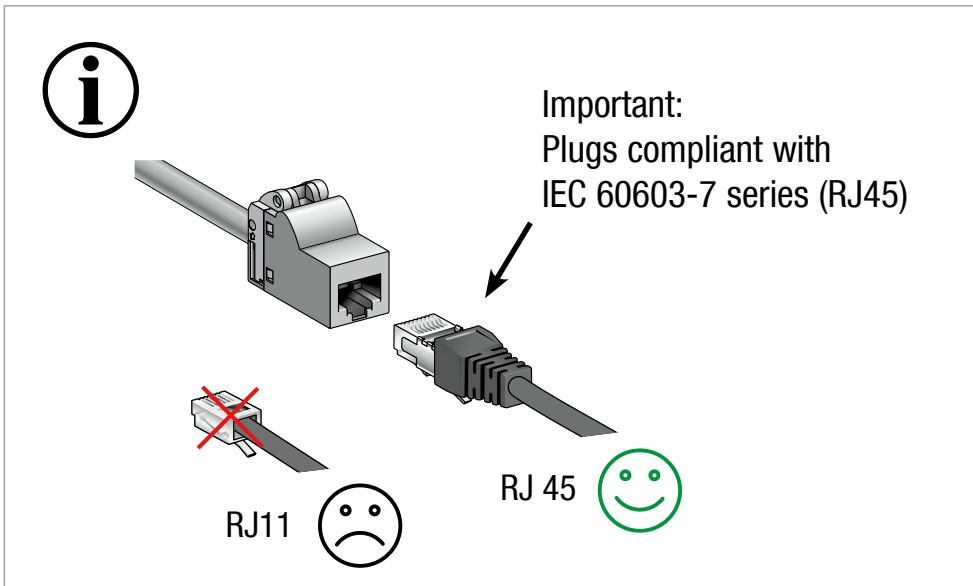
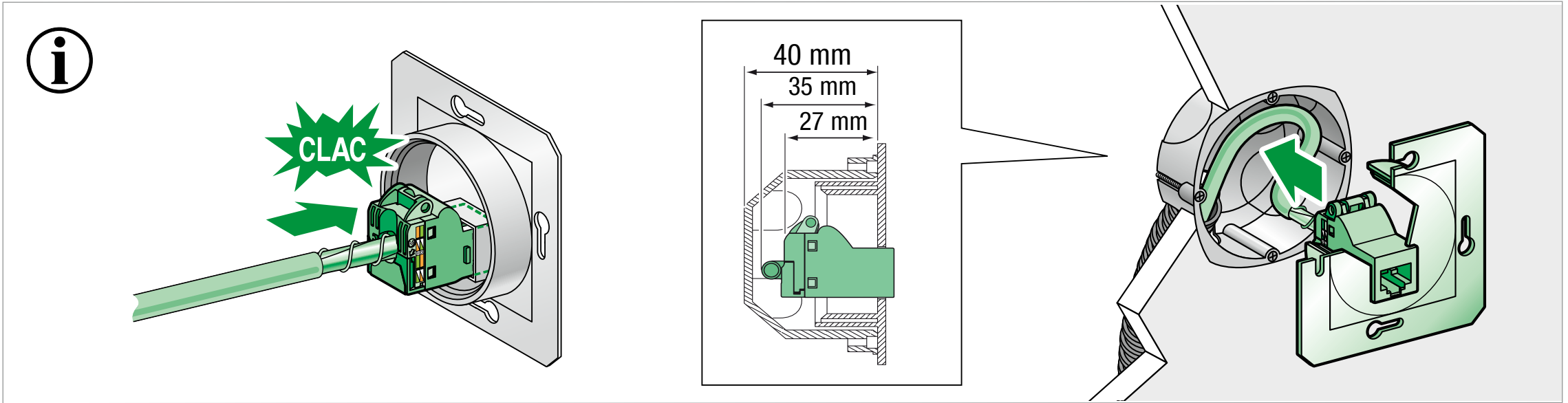


## Connector disconnection

### Grade 2 TV



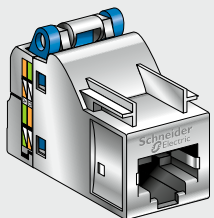




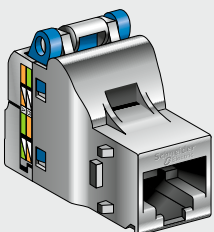
## Composition

### Shielded connector

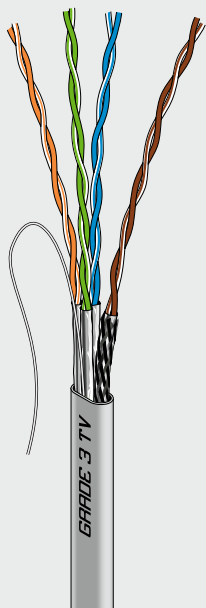
S-One



S-One DPM

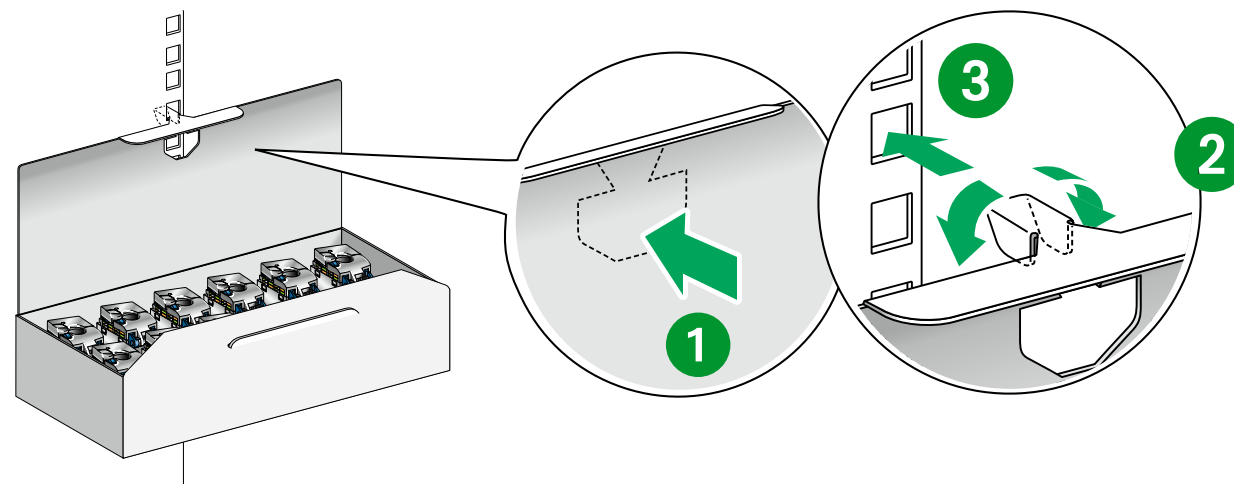
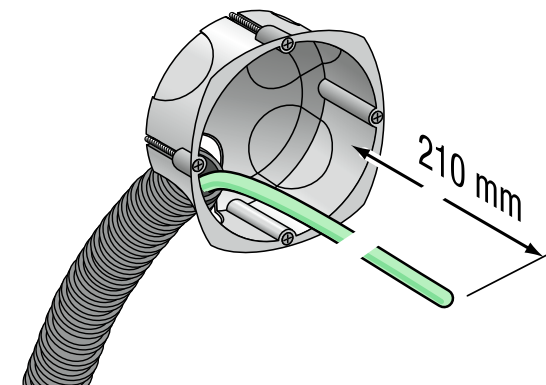


### Grade 3 TV



VDIR580020

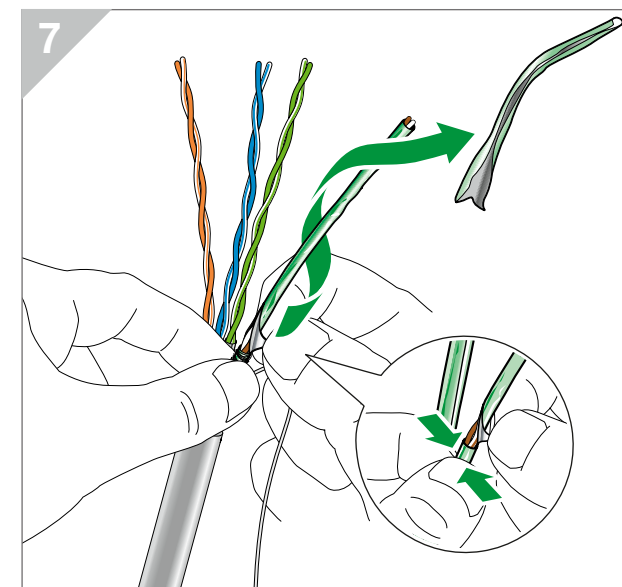
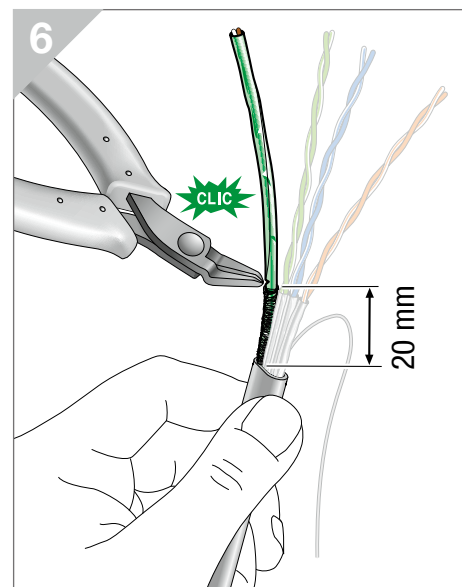
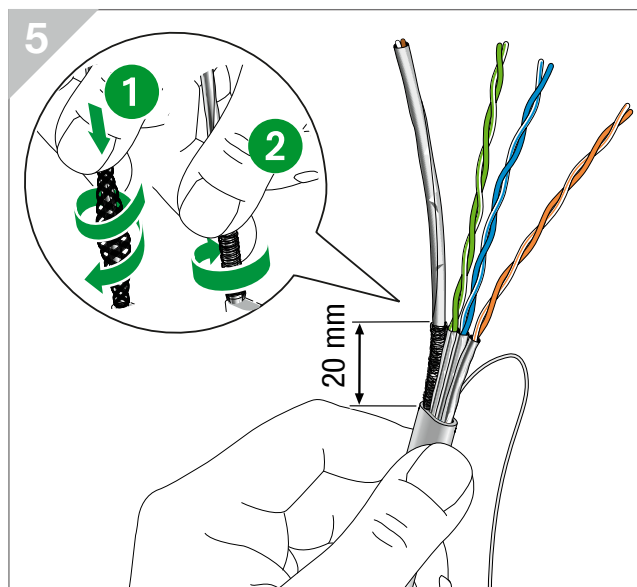
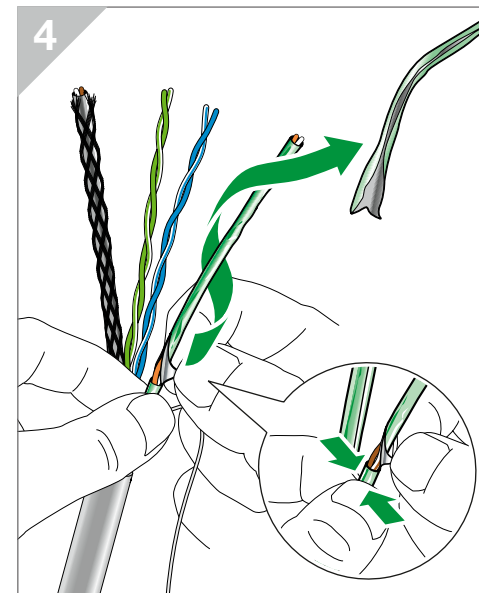
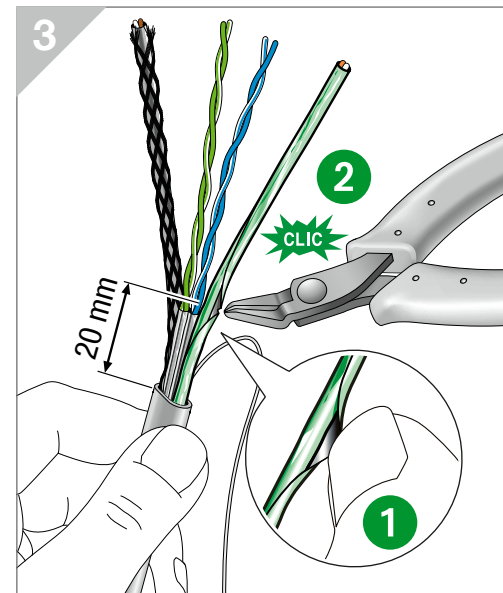
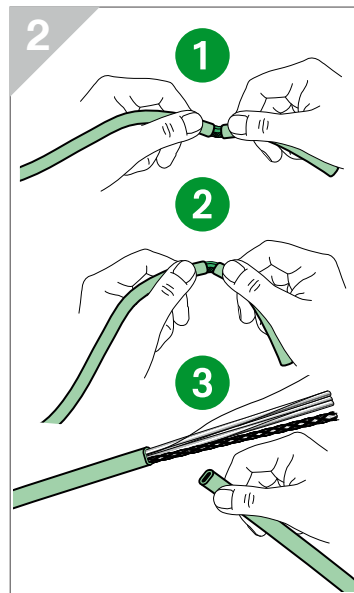
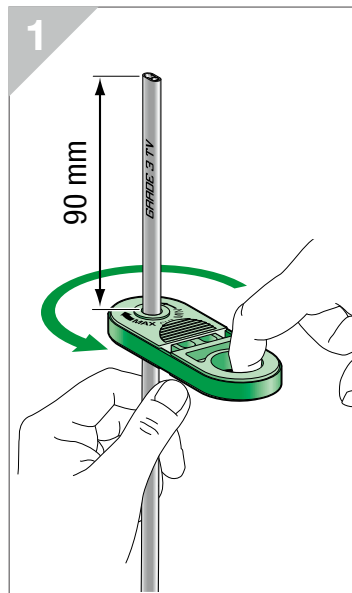
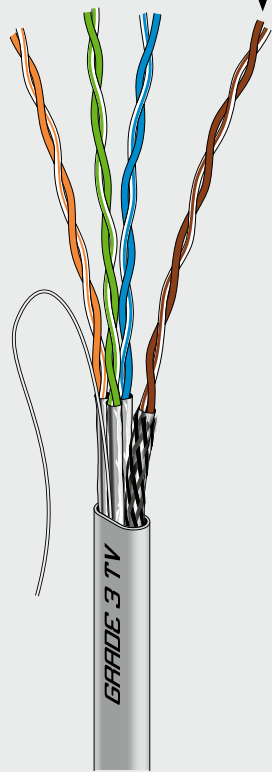
x1



# Cable preparation

## Grade 3 TV

Paire 7/8

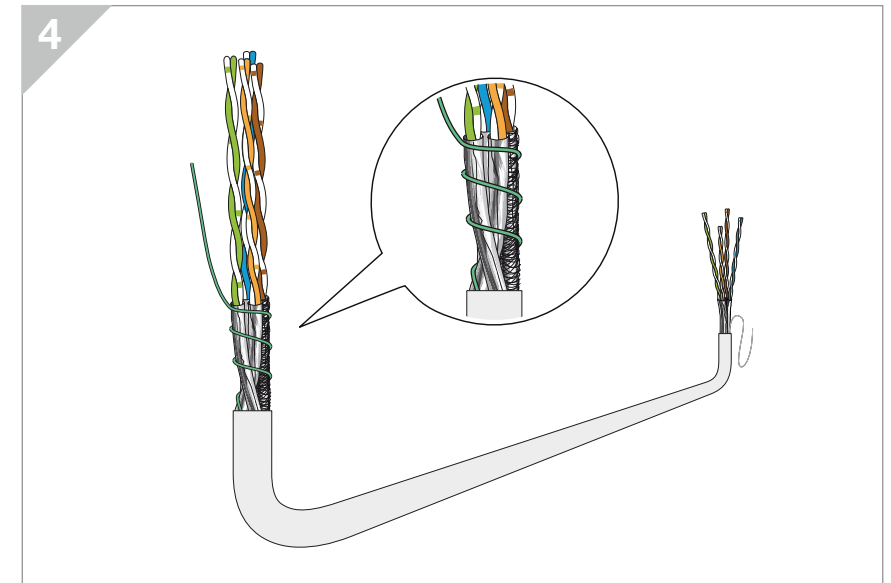
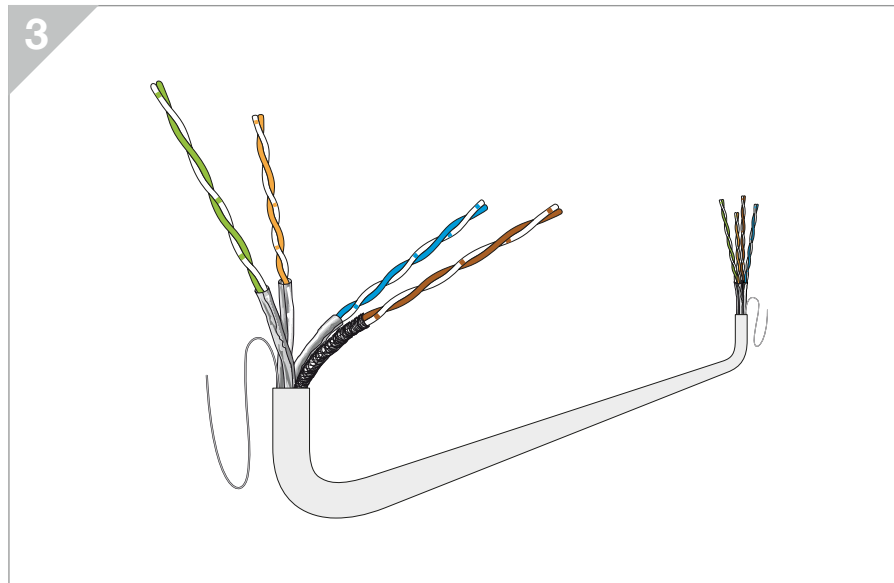
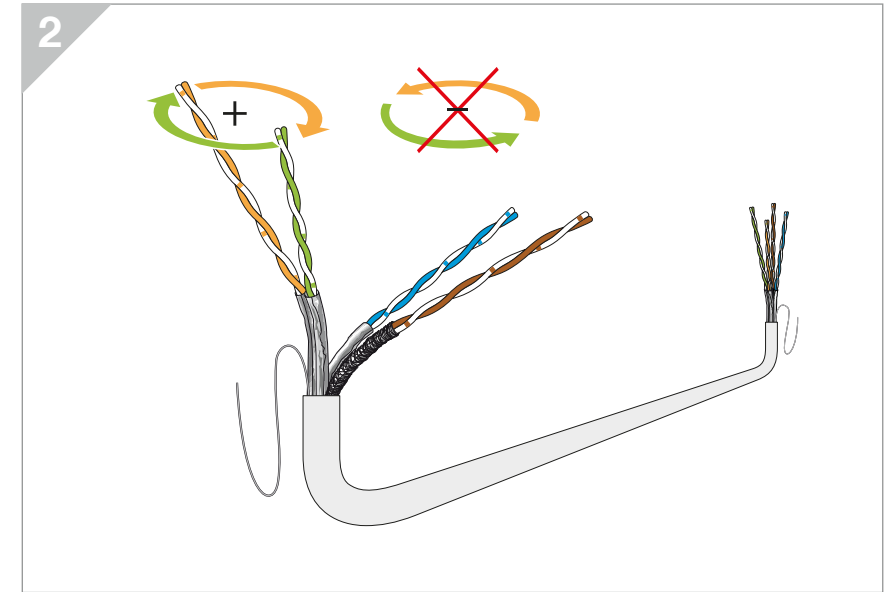
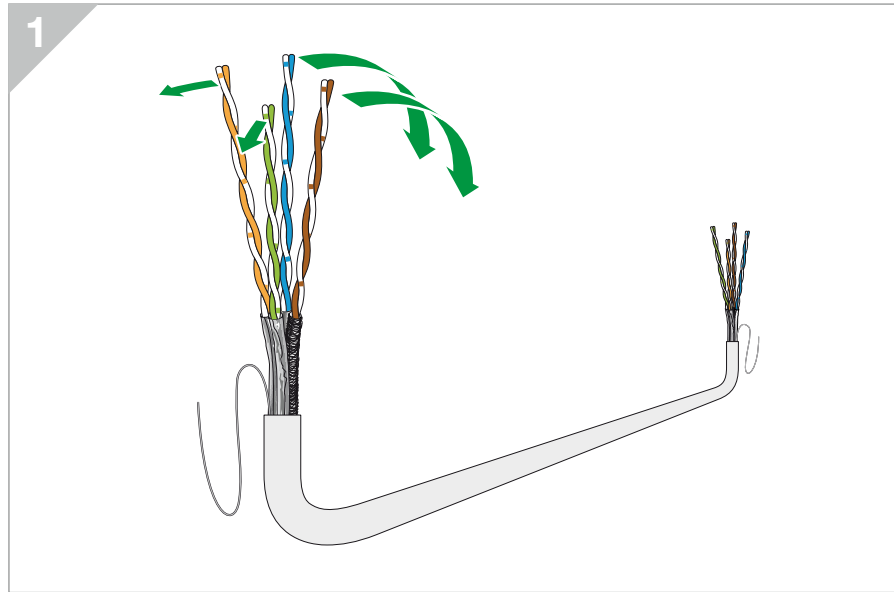
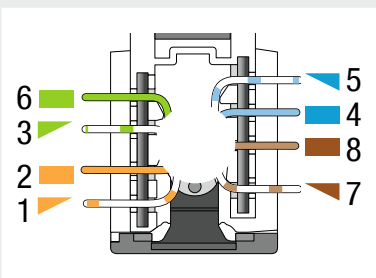


## Pairs crossing

### Grade 3 TV

How to prepare a Grade 3 TV cable acc. to T568B wiring code to reach high performance

EIA-TIA 568B (100Ω)

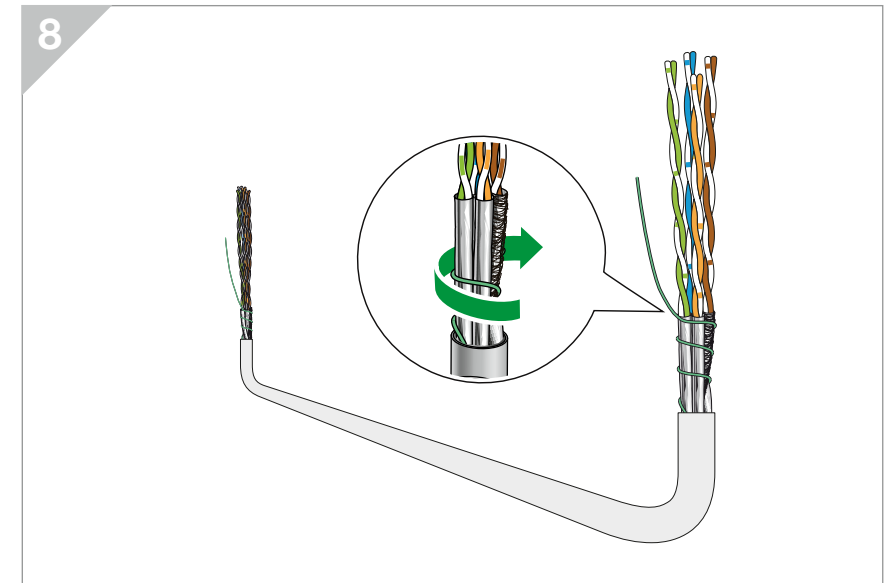
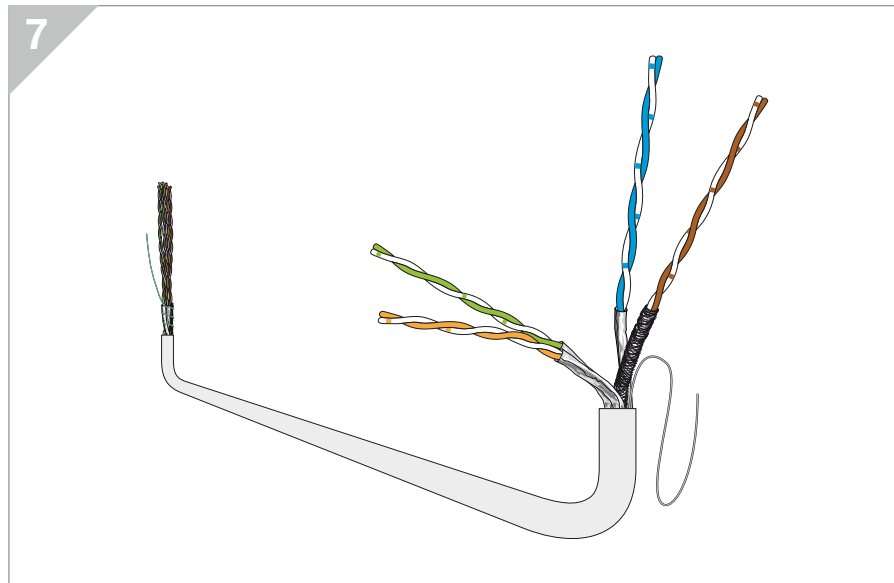
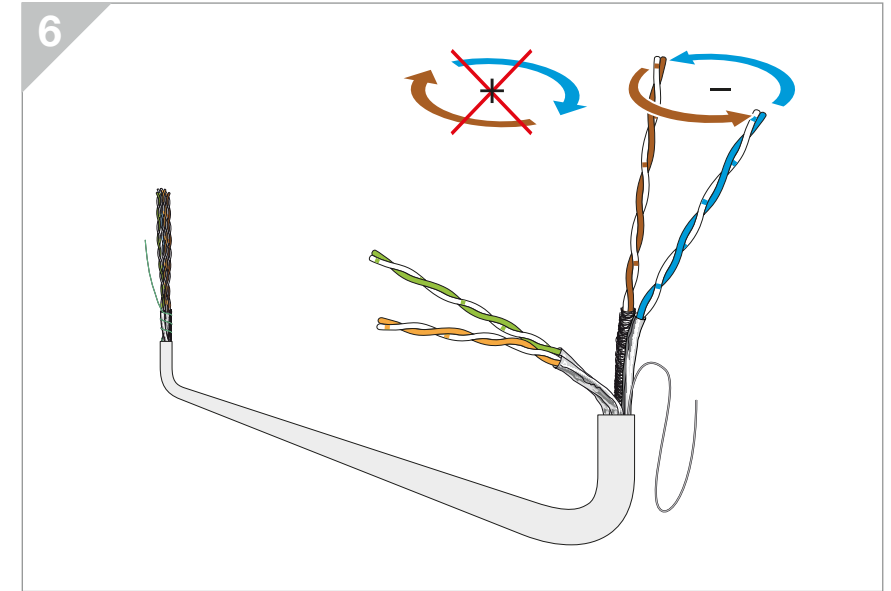
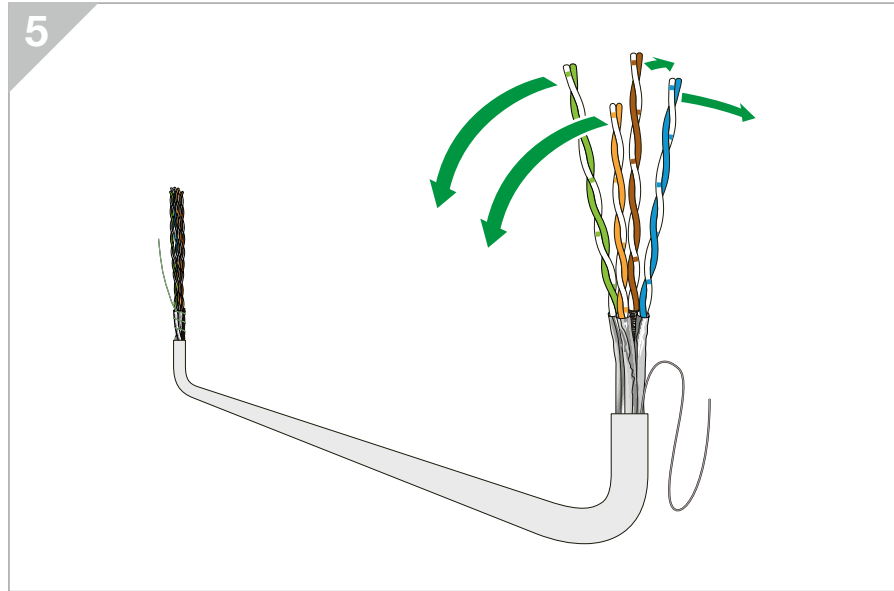
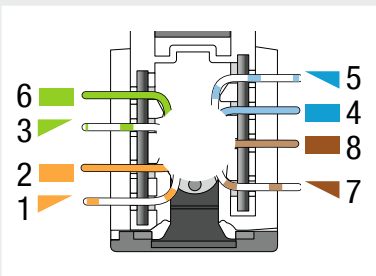


## Pairs crossing

### Grade 3 TV

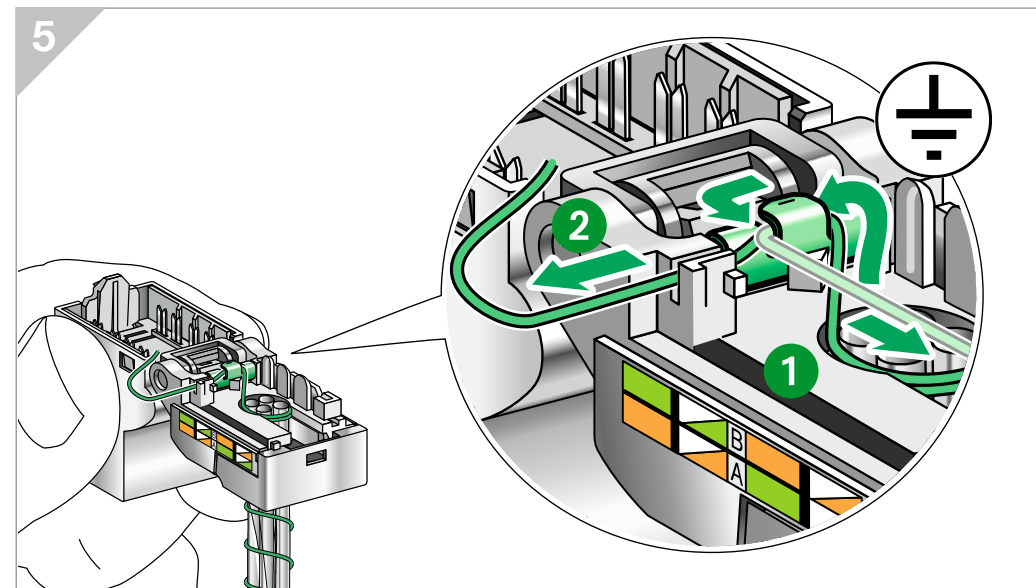
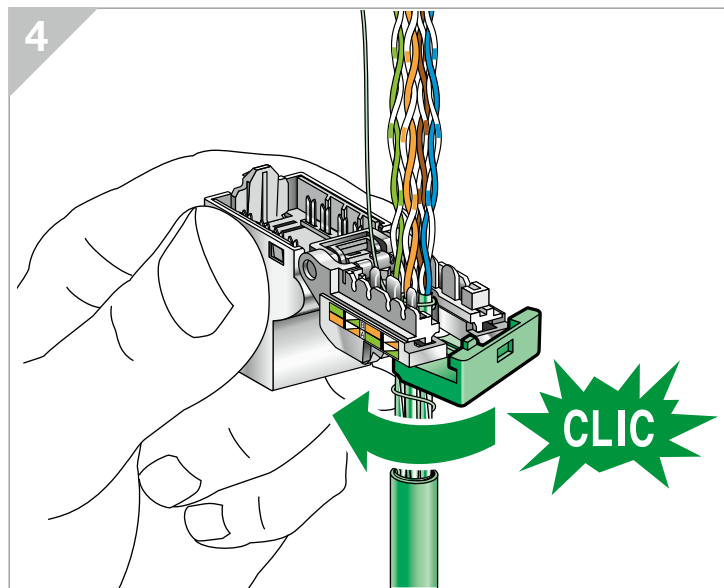
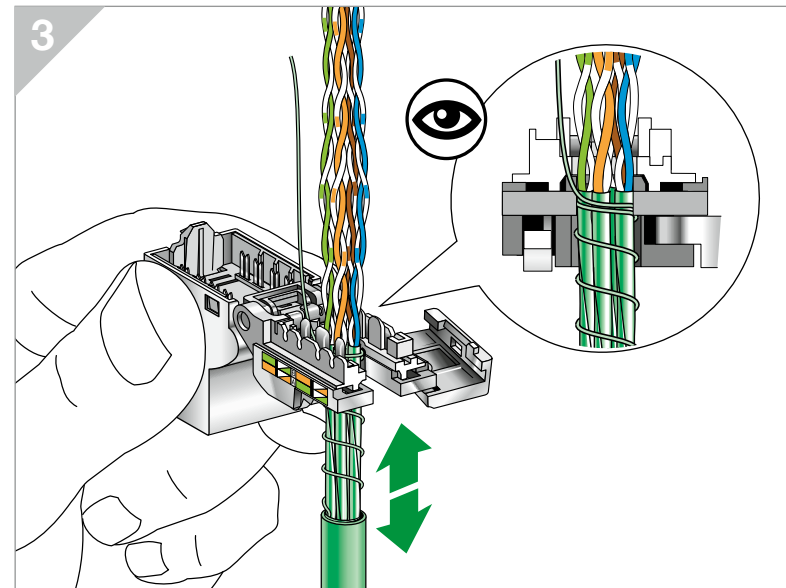
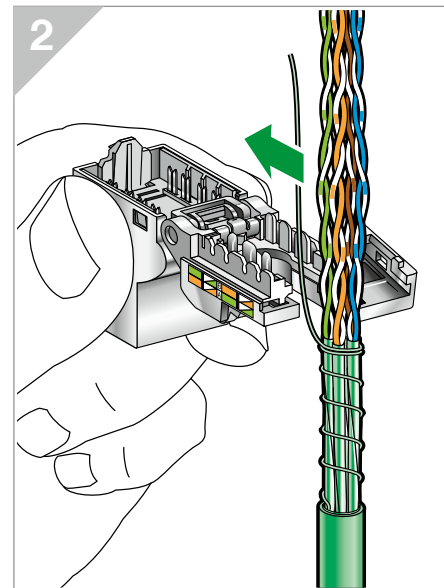
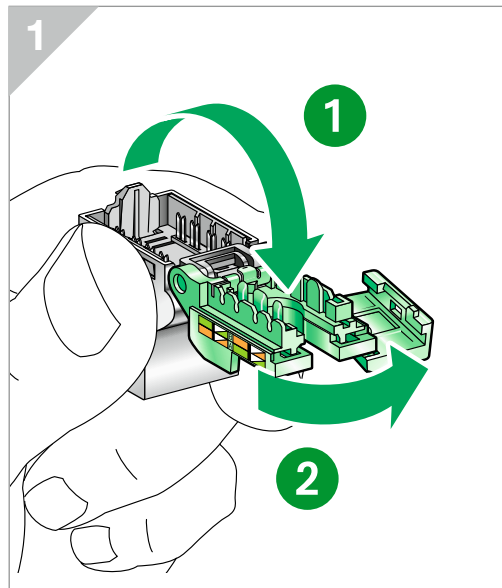
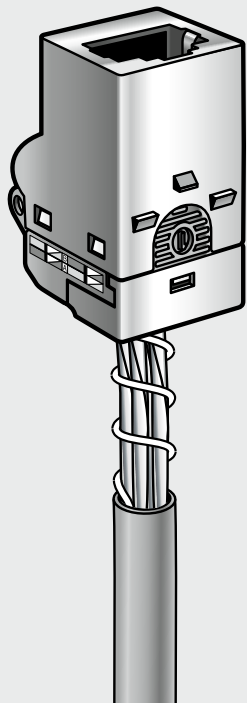
How to prepare a Grade 3 TV cable acc. to T568B wiring code to reach high performance

EIA-TIA 568B (100Ω)



# Connector termination

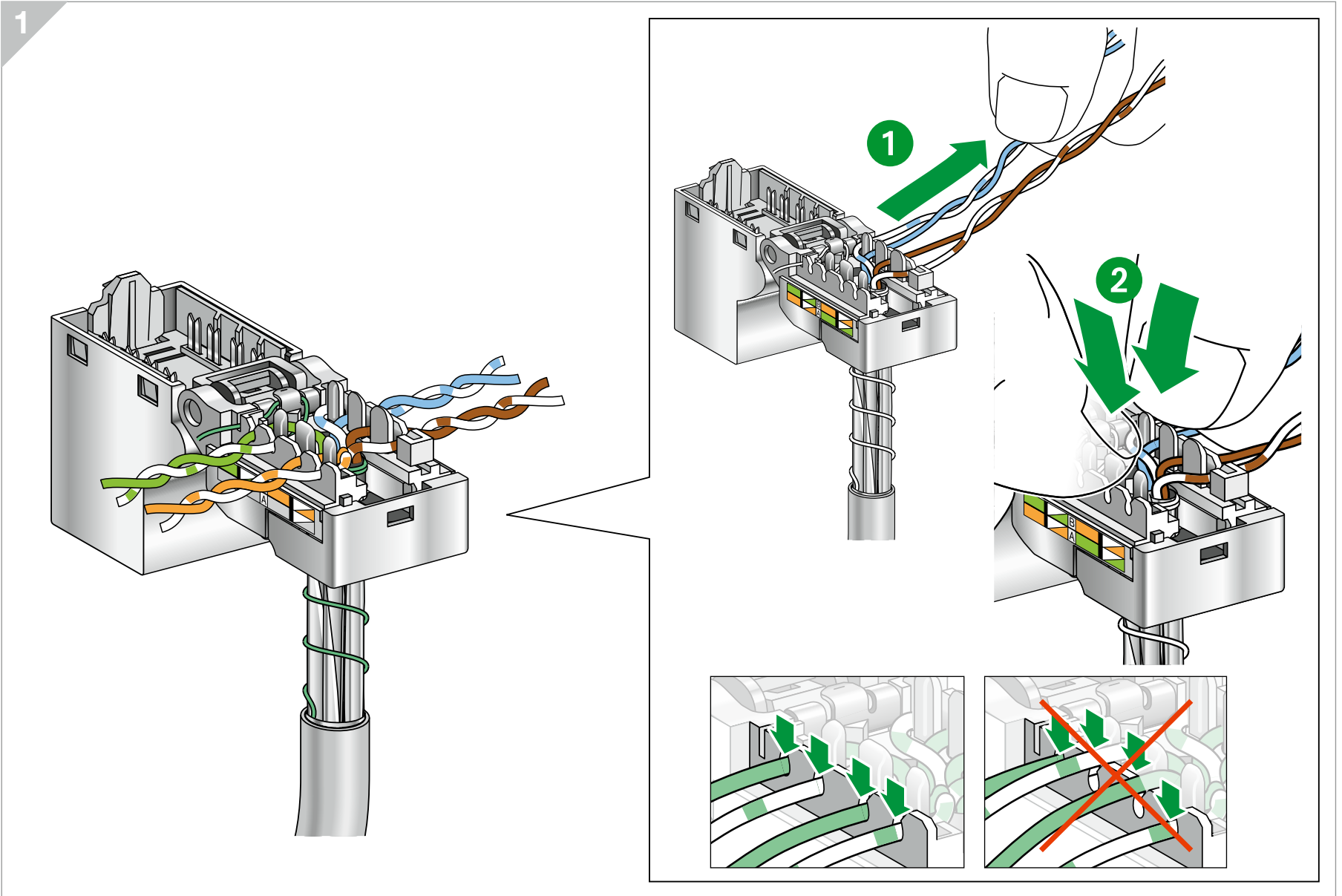
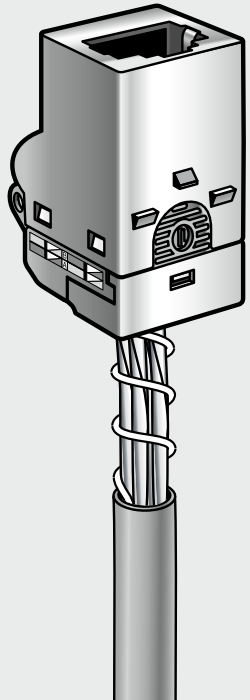
## Grade 3 TV





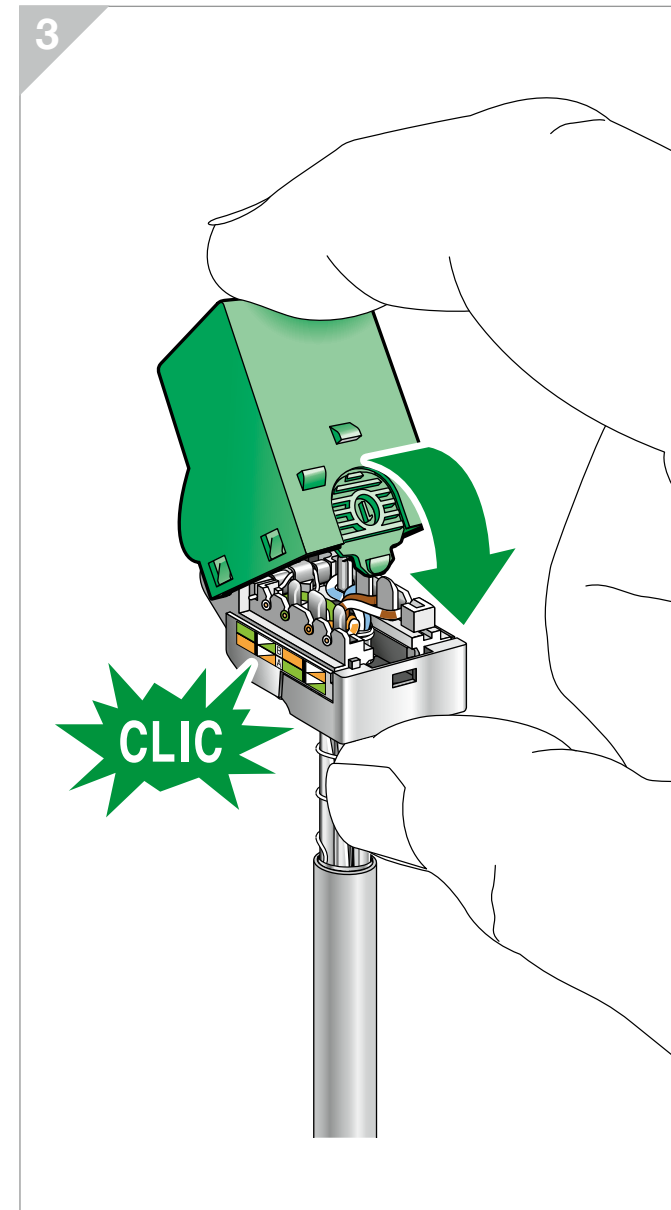
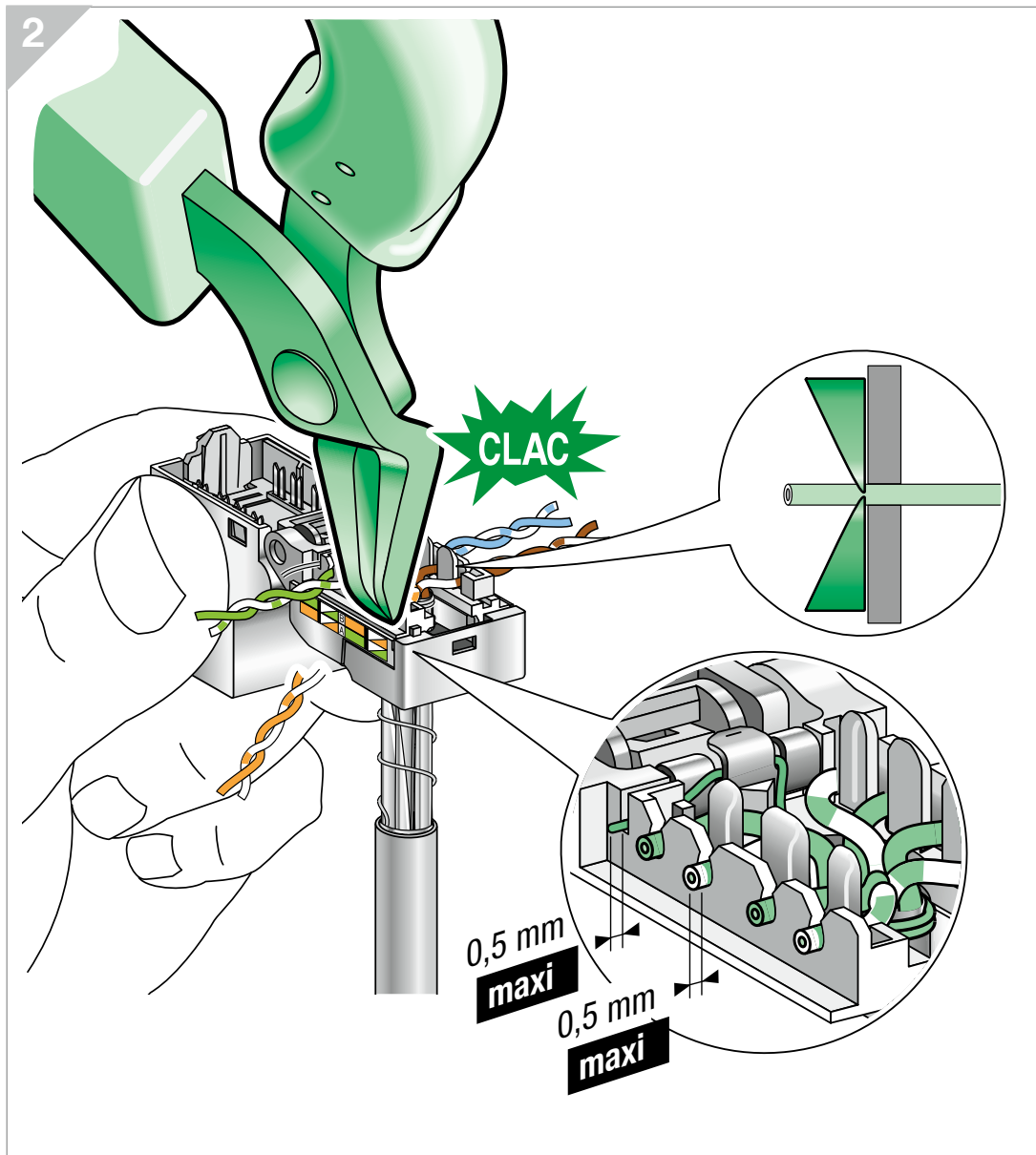
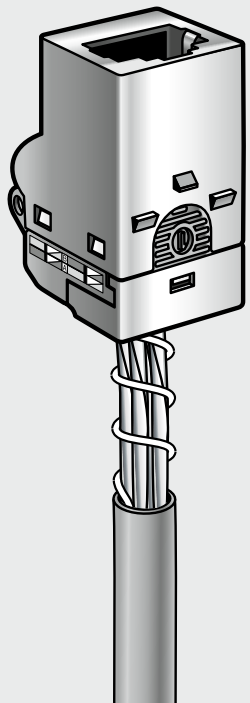
# Connector connection

## Grade 3 TV



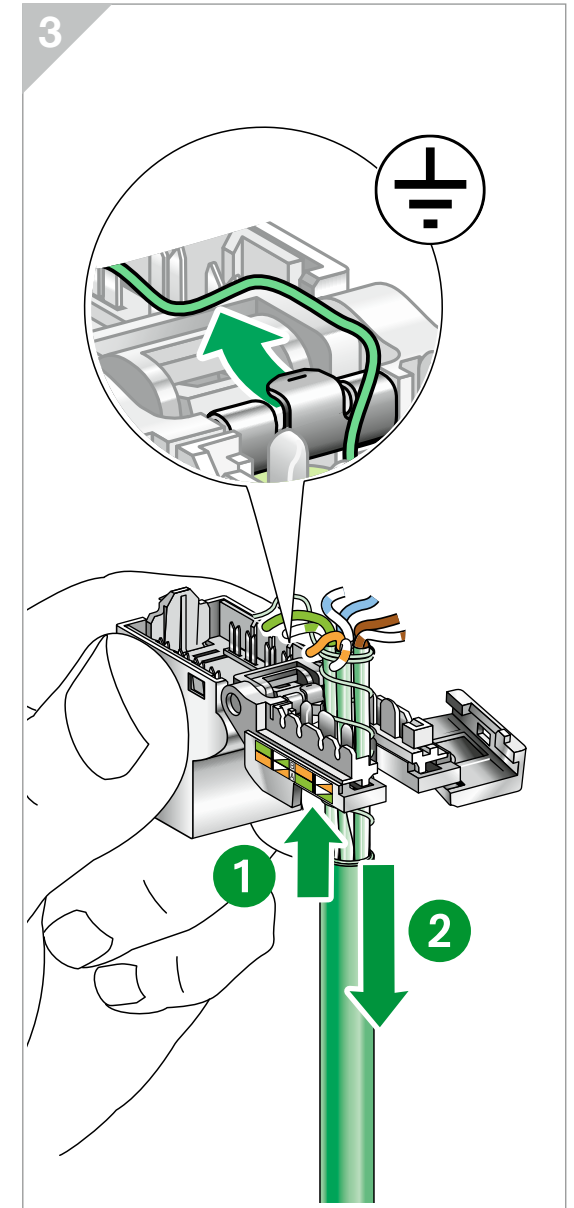
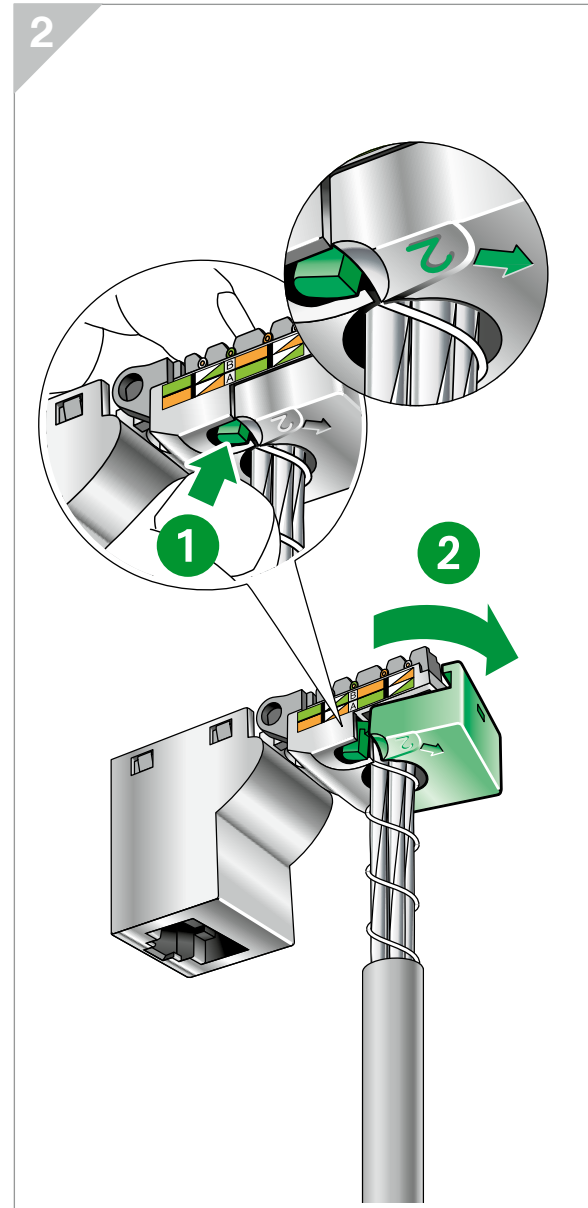
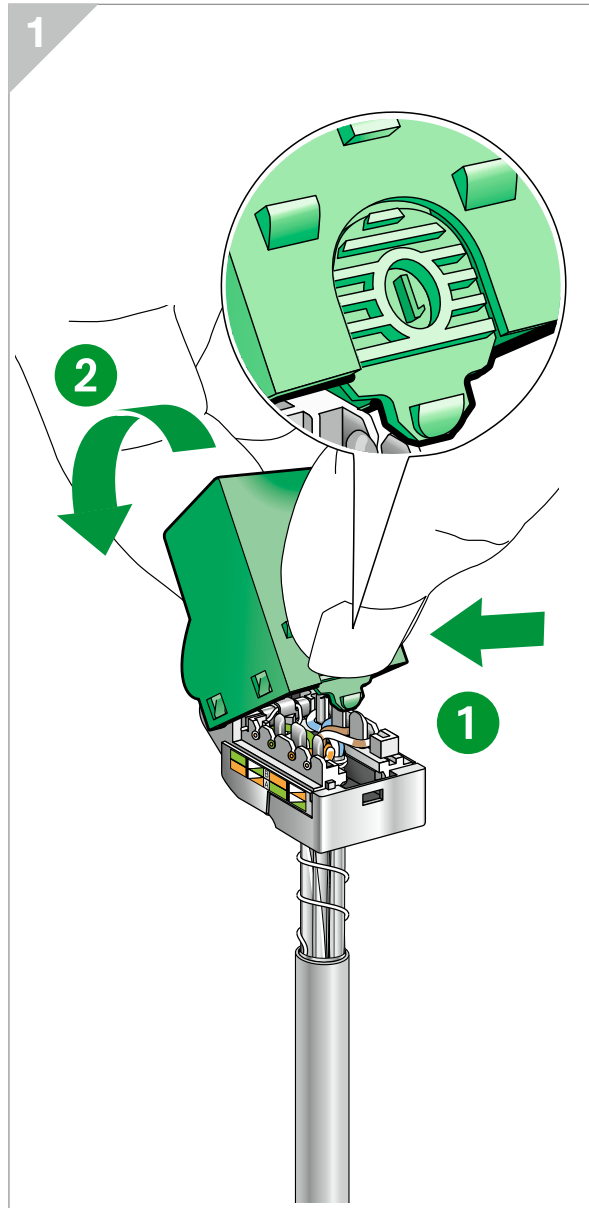
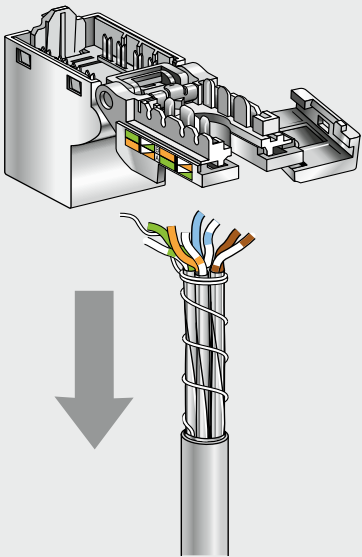
## Connector connection

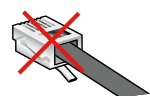
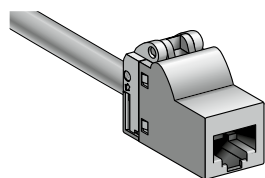
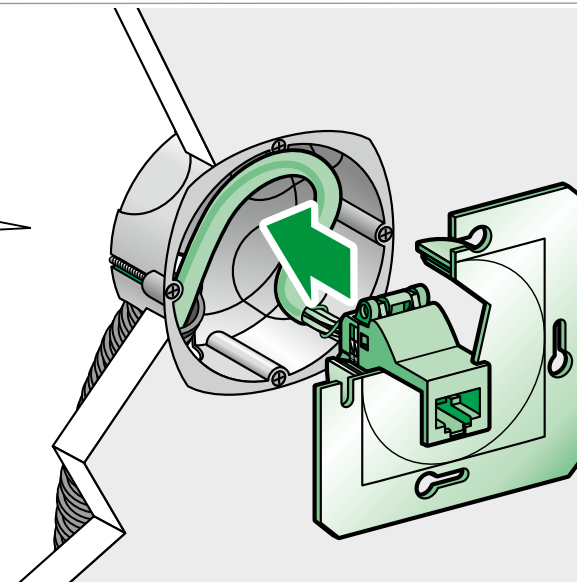
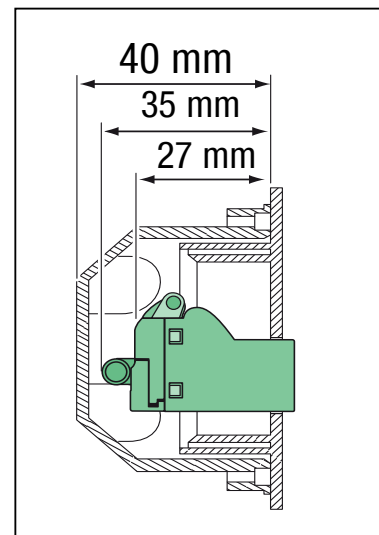
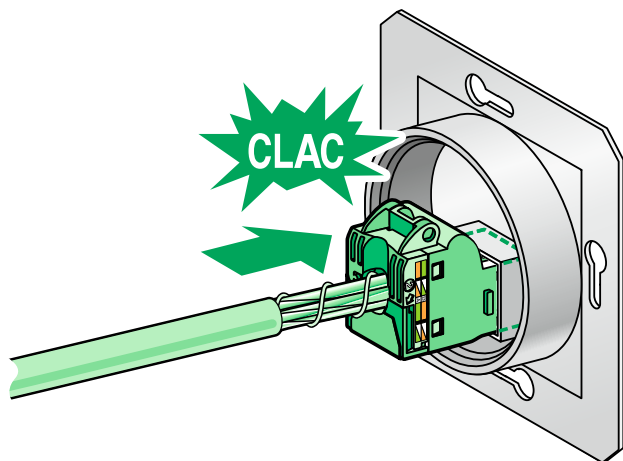
### Grade 3 TV



# Connector disconnection

## Grade 3 TV





RJ11



RJ 45



Important:  
Plugs compliant with  
IEC 60603-7 series (RJ45)

**Schneider Electric Industries SAS**

35, rue Joseph Monier

CS 30323

F - 92506 Rueil Malmaison Cedex

RCS Nanterre 954 503 439

Capital social 896 313 776 €

[www.schneider-electric.com](http://www.schneider-electric.com)

GEX94517000

**Ce produit doit être installé, raccordé et utilisé en respectant les normes et/ou les règlements d'installation en vigueur.**

En raison de l'évolution des normes et du matériel, les caractéristiques et cotes d'encombrement données ne nous engagent qu'après confirmation par nos services.

**This product must be installed, connected and used in compliance with prevailing standards and/or installation regulations.**

As standards, specifications and designs change from time to time, always ask for confirmation of the information given in this publication.

© 11-2022 Schneider Electric - All rights reserved.