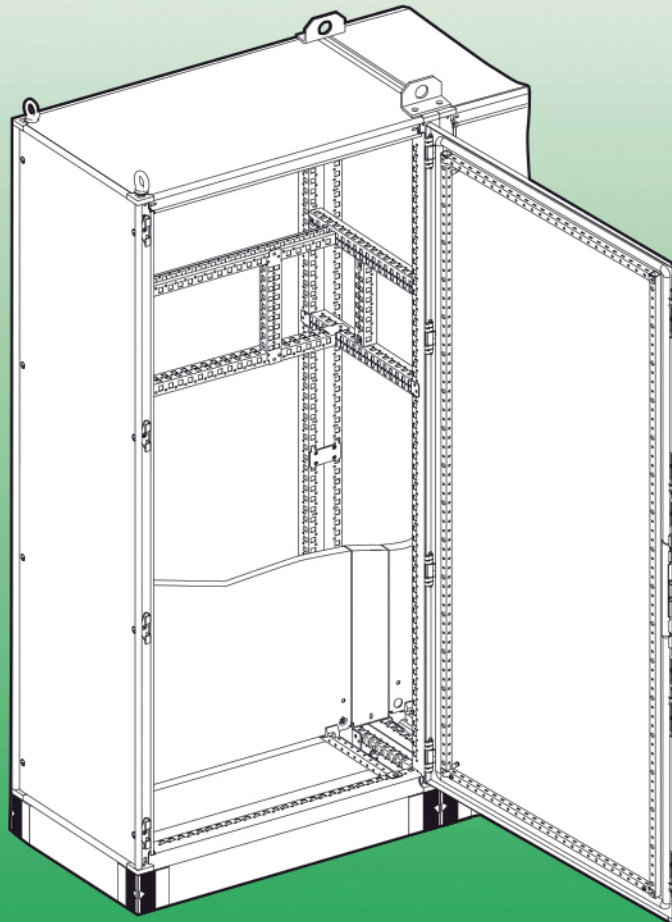













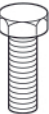




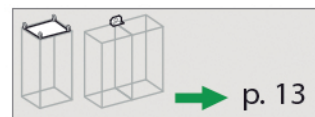
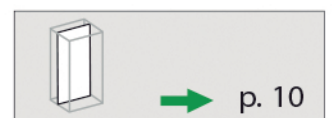
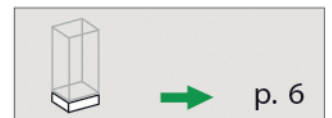
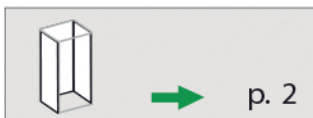
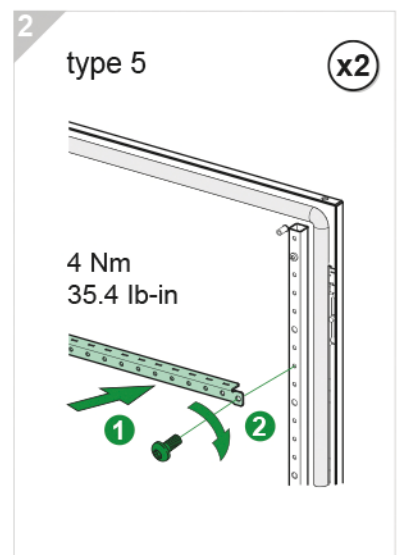
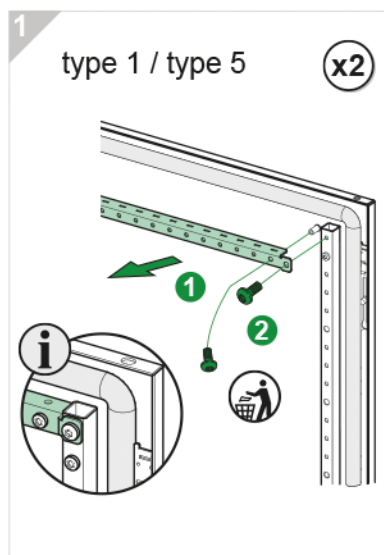
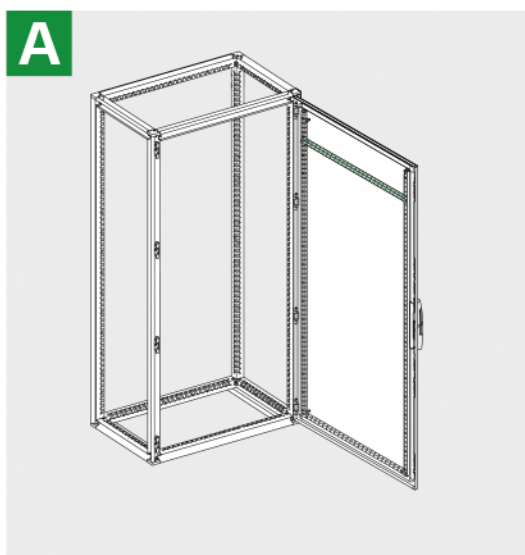
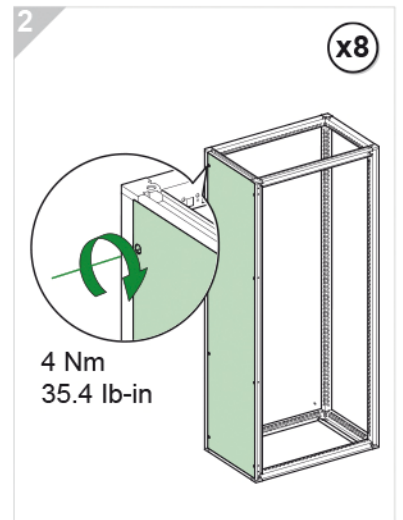
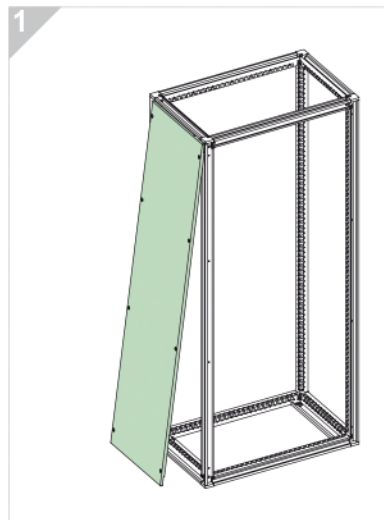
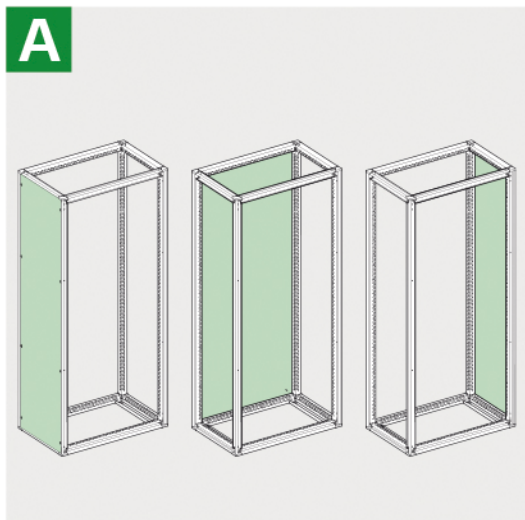
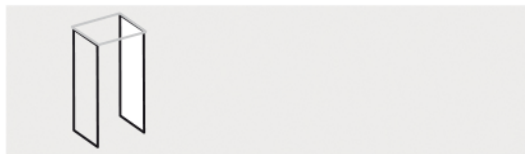
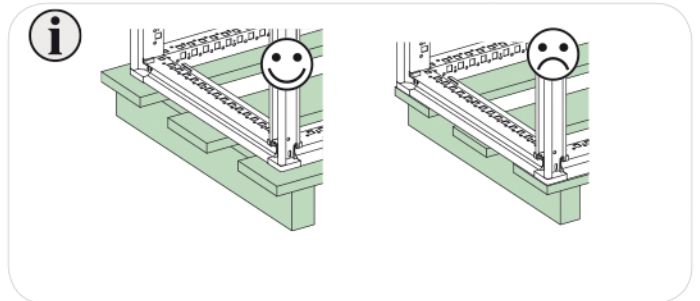
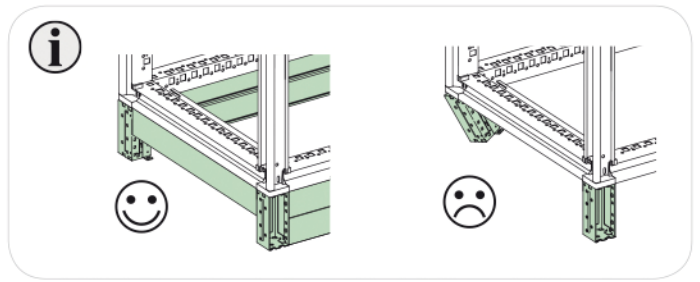
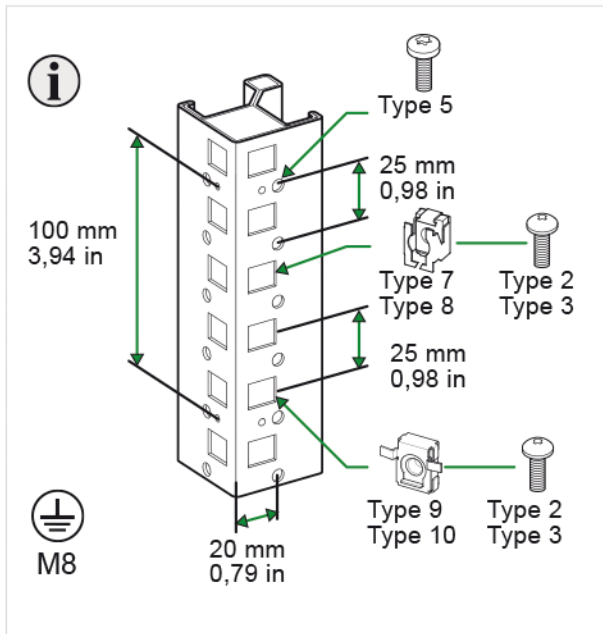


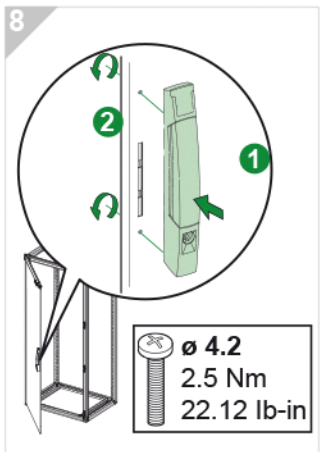
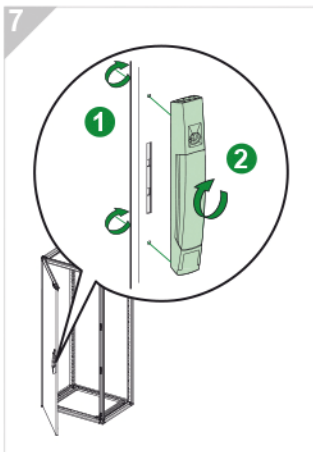
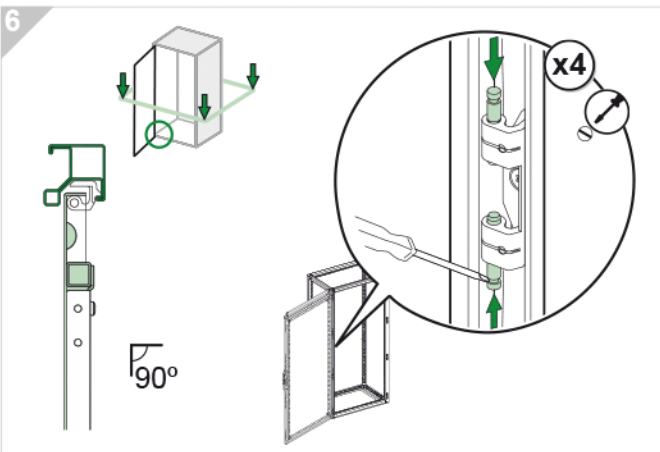
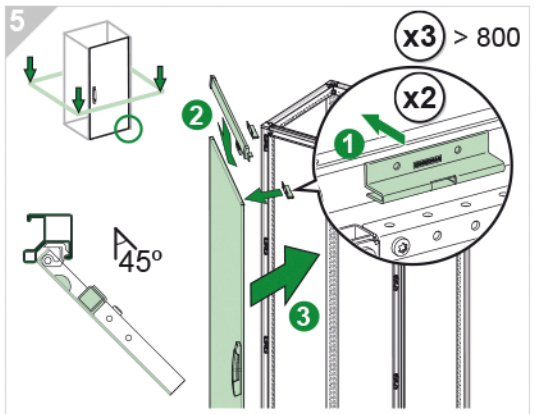
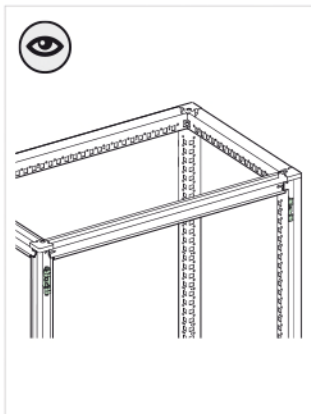
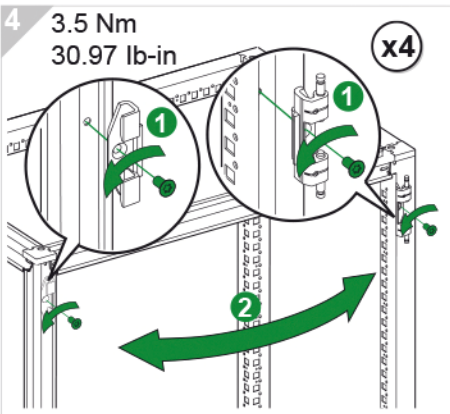
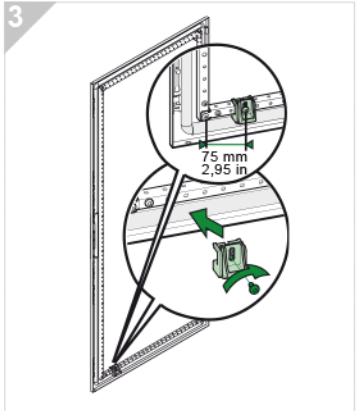
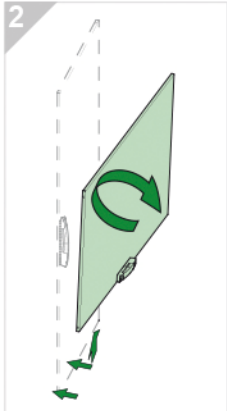
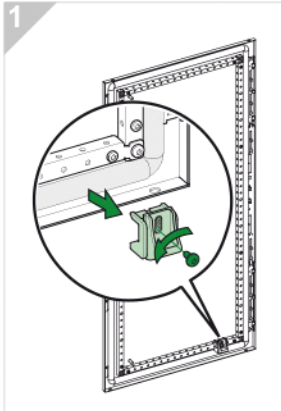
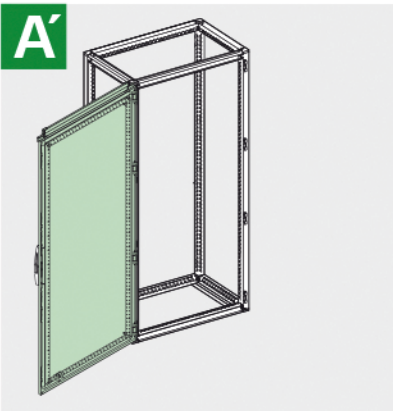
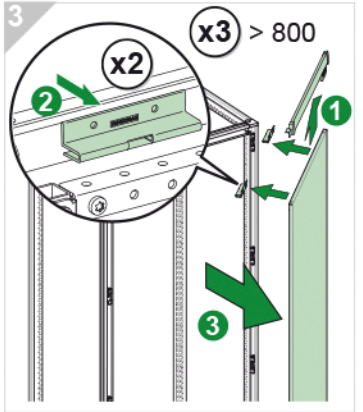
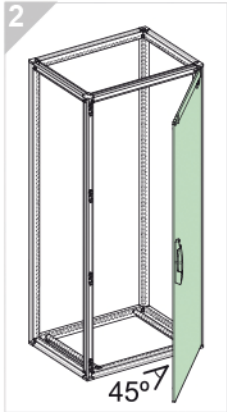
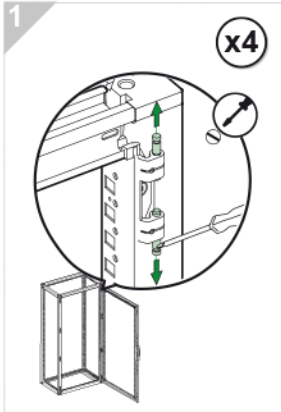
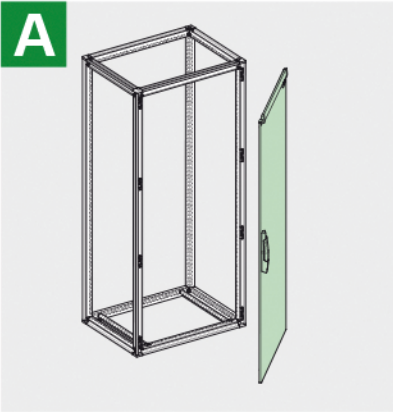
## Spacial SF



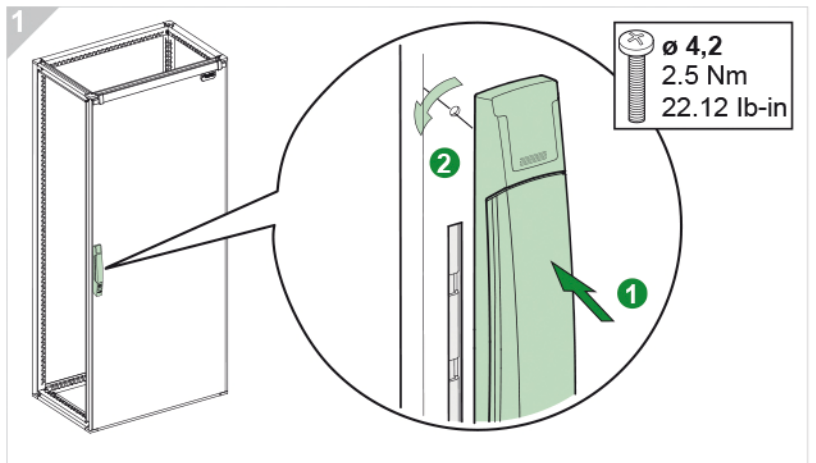
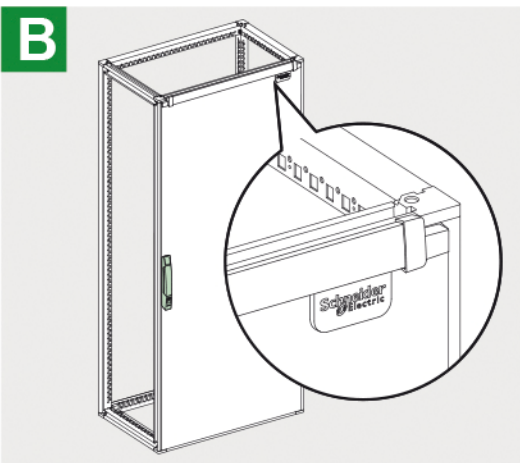
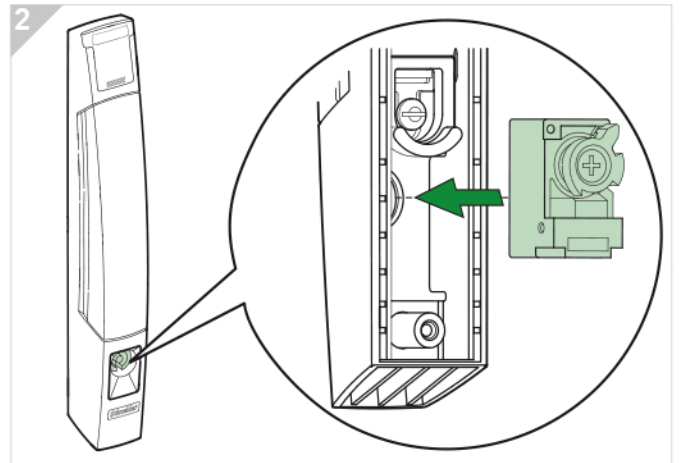
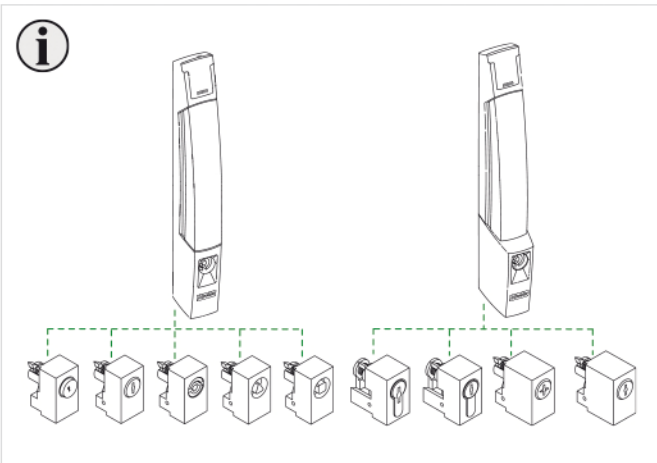
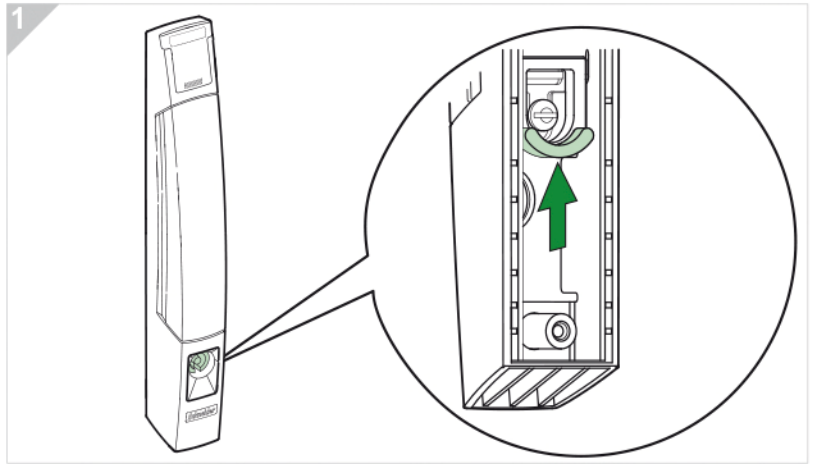
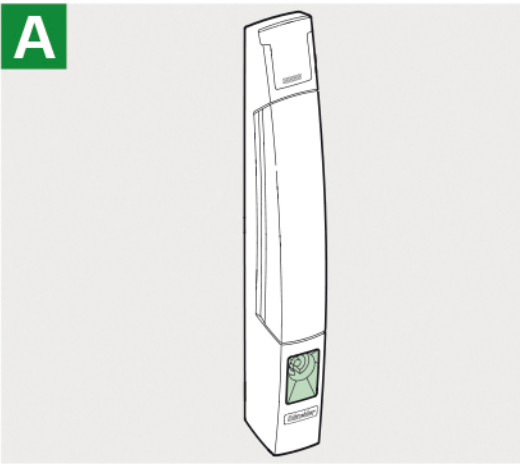
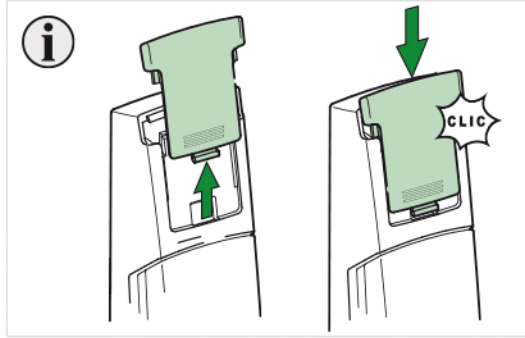
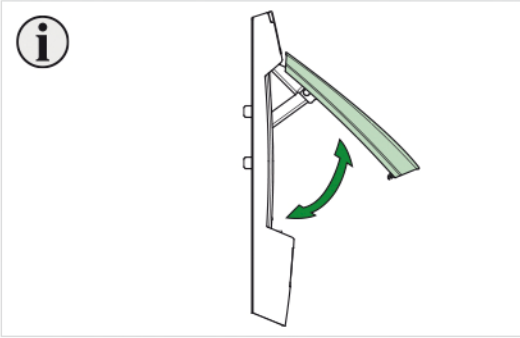
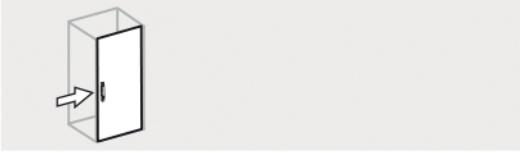
 <b>type 1</b> ● M5 / T25 2.7 Nm 23.90 lb-in	 <b>type 2</b> ● M6 / T30 4.5 Nm 39.82 lb-in	 <b>type 3</b> ● M8 / T40 4.5 Nm 39.82 lb-in	 <b>type 4</b> ● M12 / EXAG8 37 Nm 88.50 lb-in	 <b>type 5</b> ● M6 / T30 4.5 Nm 39.82 lb-in
 <b>type 6</b> M6	 <b>type 7</b> M6	 <b>type 9</b> M6	 <b>type 11</b> M8 4.5 Nm 39.82 lb-in	 <b>type 12</b> M8
	 <b>type 8</b> M8	 <b>type 10</b> M8		 <b>type 13</b> M12
 <b>type 14</b> M8 4.5 Nm 39.82 lb-in	 <b>type 15</b> M12 10 Nm 88.50 lb-in	 <b>type 16</b> diam. 13	 <b>type 17</b> diam.13 / PA 6.6	 <b>type 18</b> ● M6 / T30 4.5 Nm 39.82 lb-in







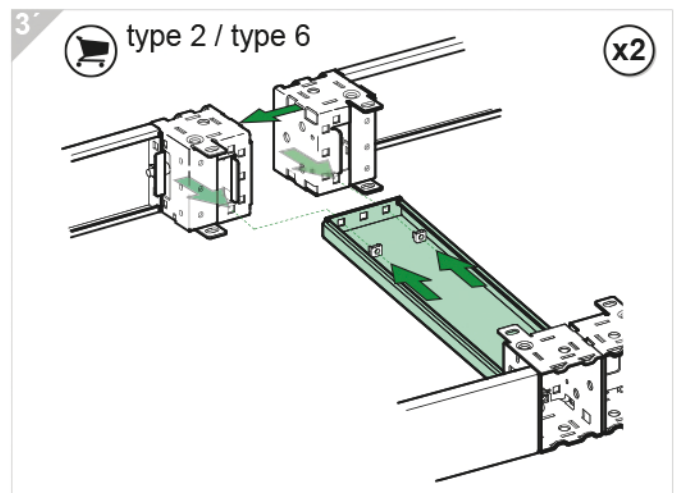
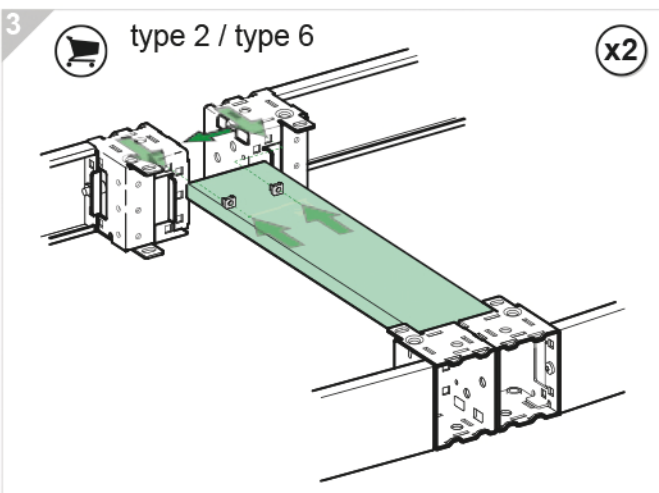
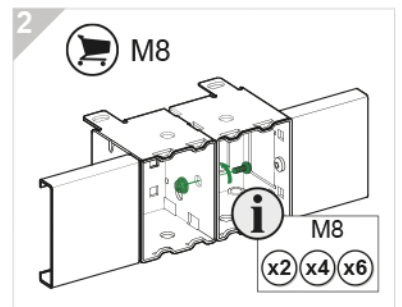
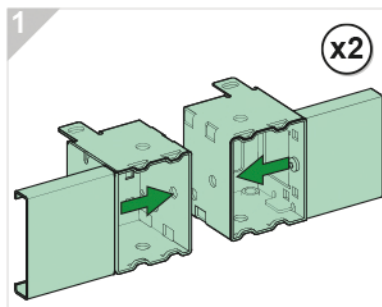
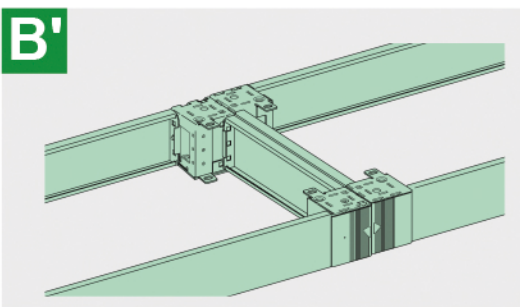
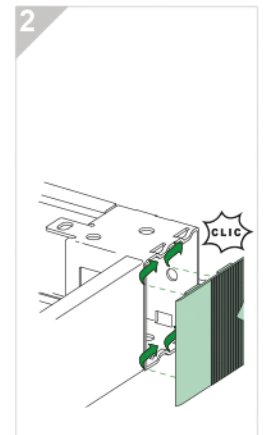
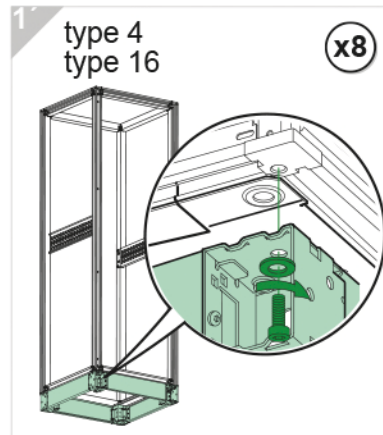
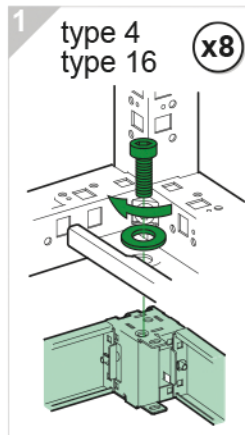
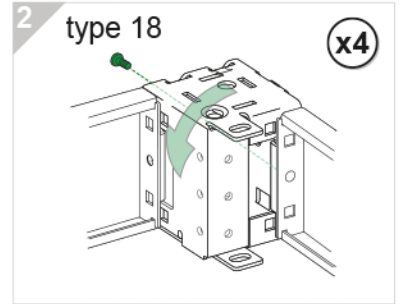
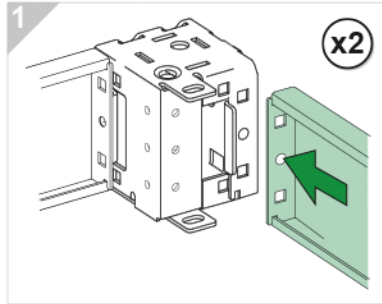
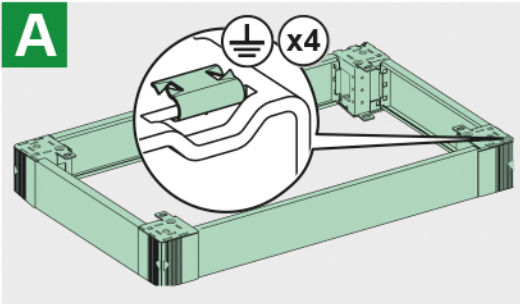








**NSYSPFxx100**  
**NSYSPSxx100**  
 H = 100 mm  
 H = 3.94 in

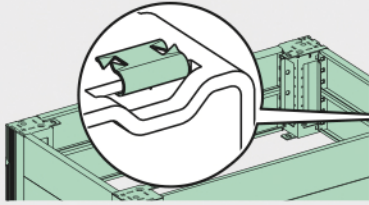




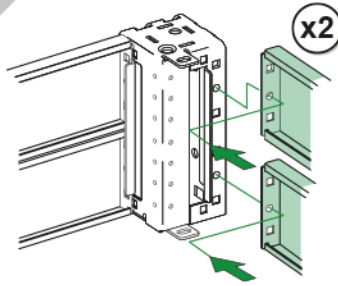
NSYSPFxx200  
NSYSPSxx200  
H = 200 mm  
H = 7.87 in

**A**

x4



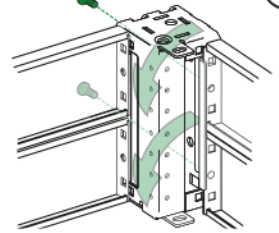
1



2

type 18

x8



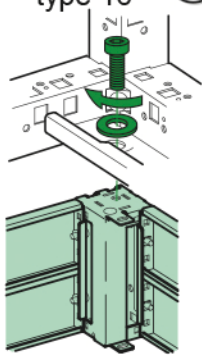
**B**



1

type 4  
type 16

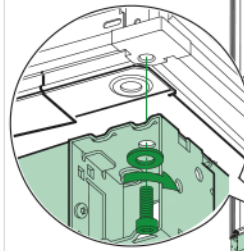
x8



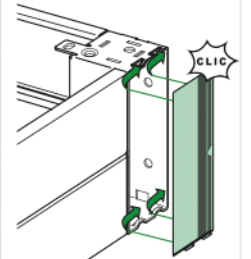
1

type 5  
type 20

x8



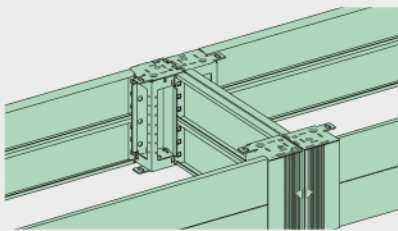
2



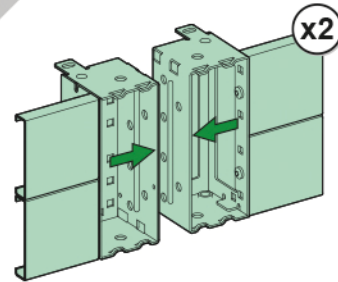
p. 7



**B'**



1



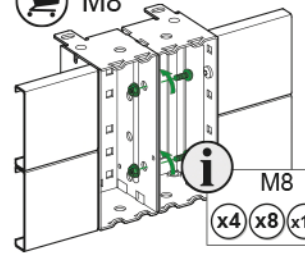
2

M8



M8

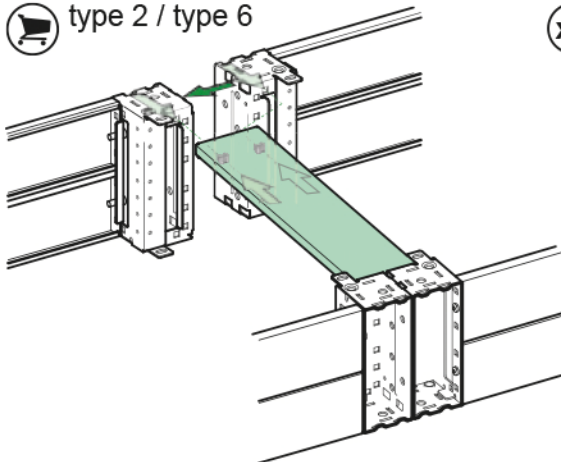
x4 x8 x12



3

type 2 / type 6

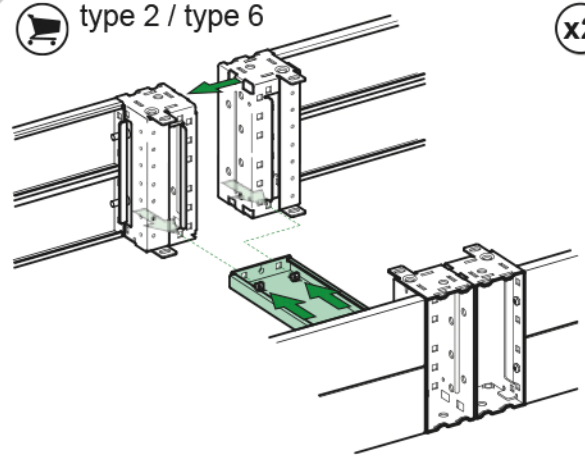
x2



3

type 2 / type 6

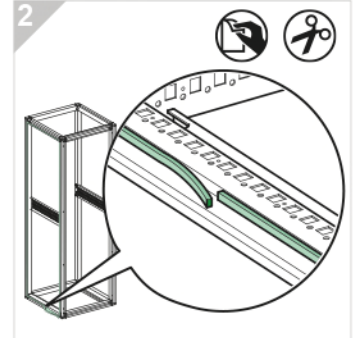
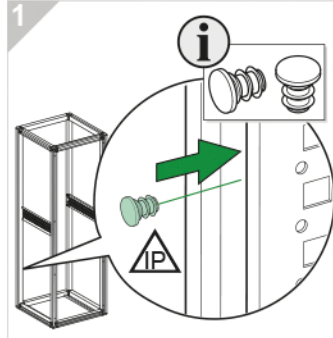
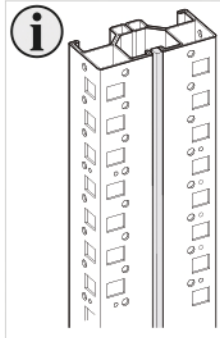
x2



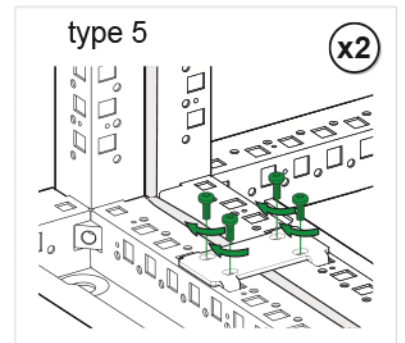
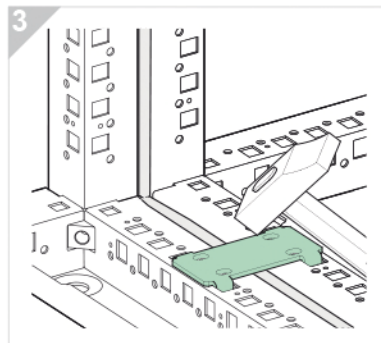
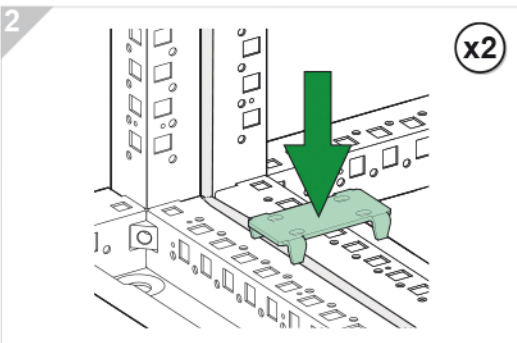
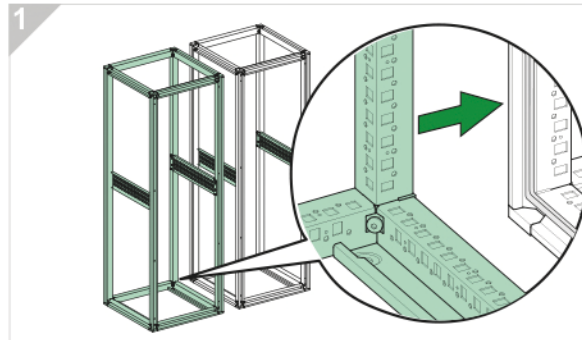


NSYSFBK

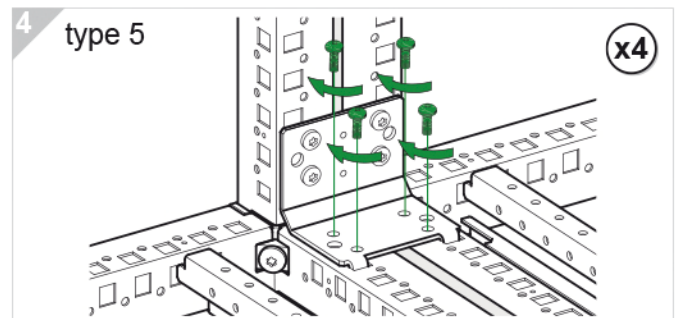
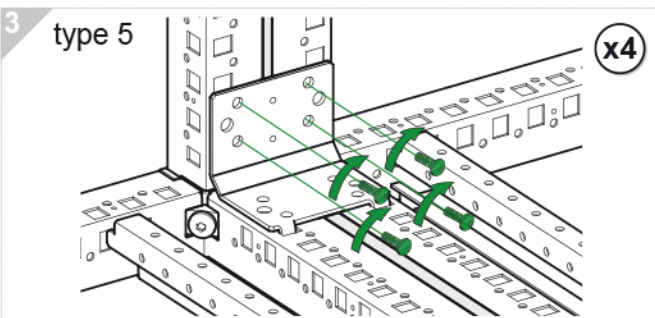
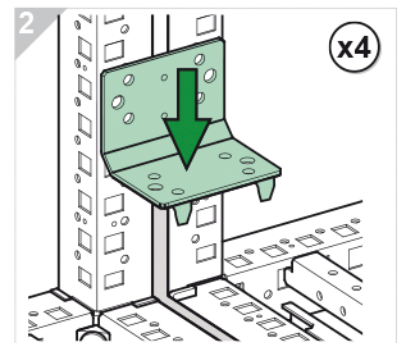
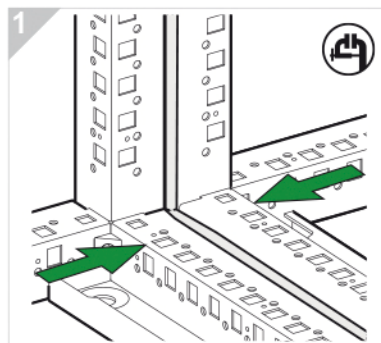
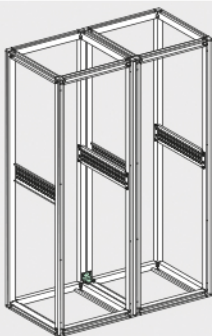
**A**



**B**



**C**

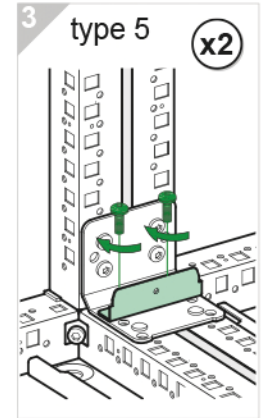
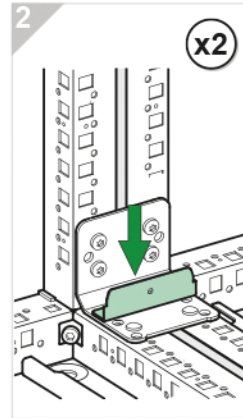
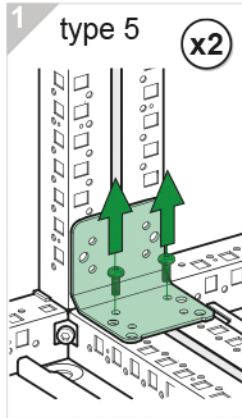
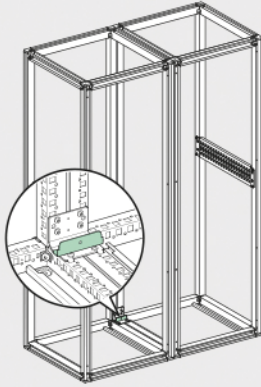




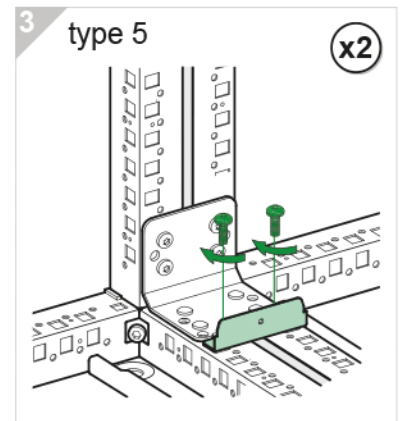
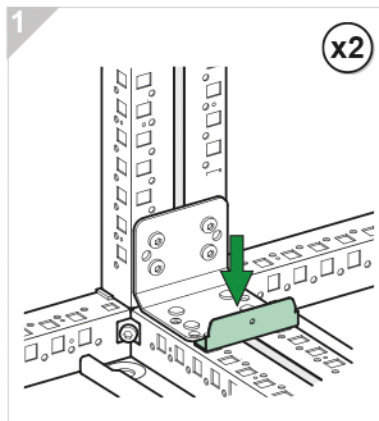
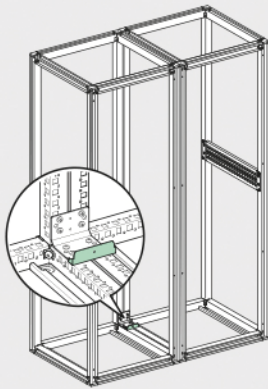


NSYSIMPxx

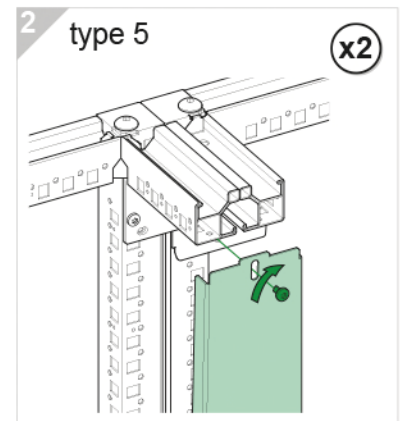
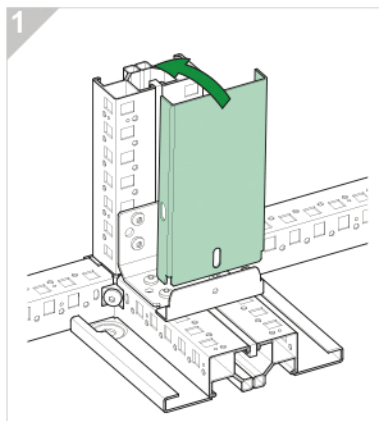
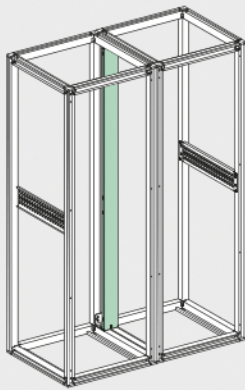
**A**



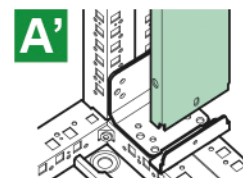
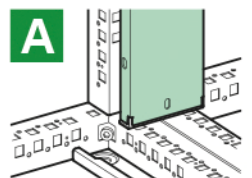
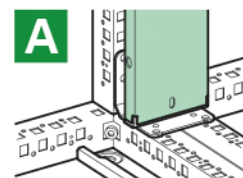
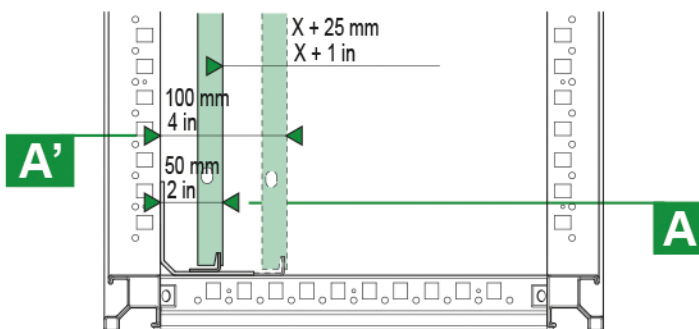
**A'**

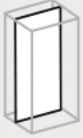


**B**



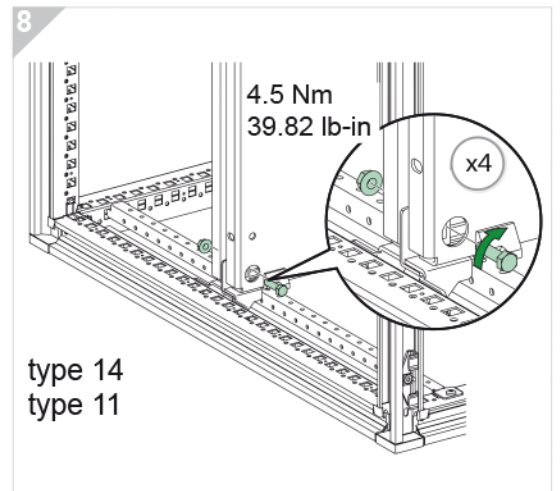
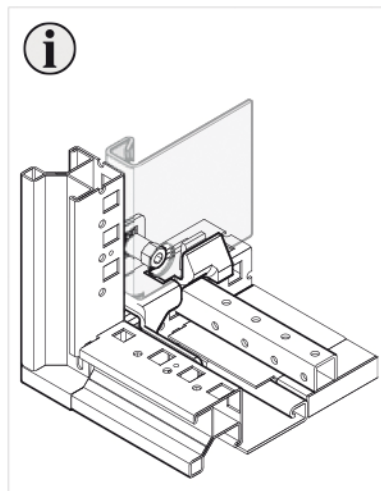
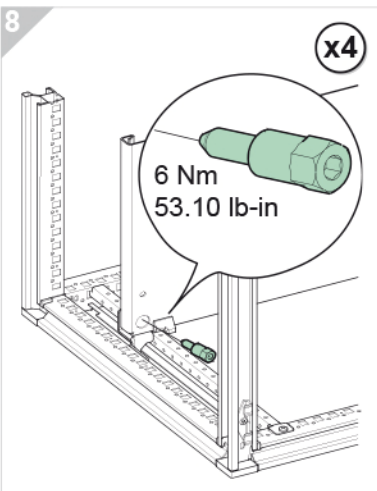
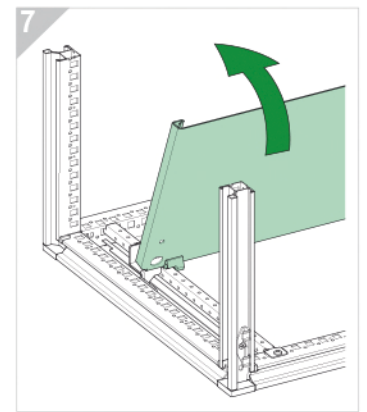
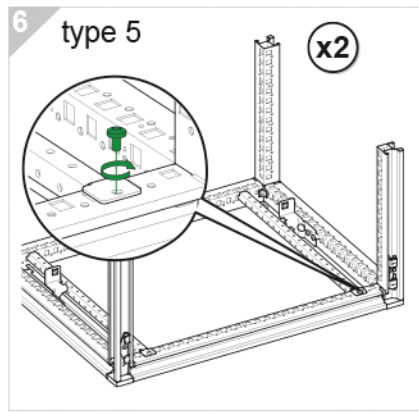
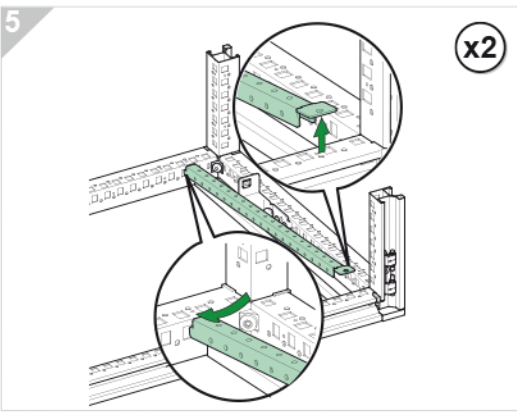
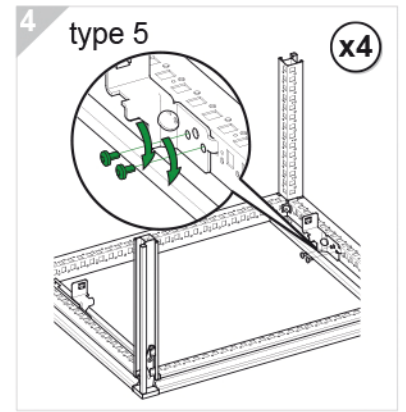
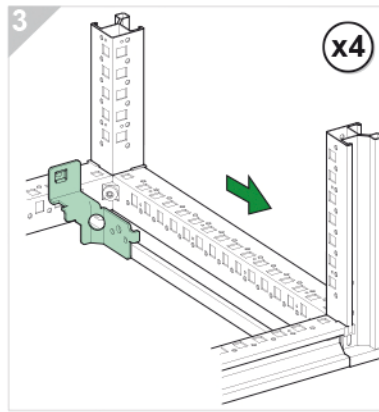
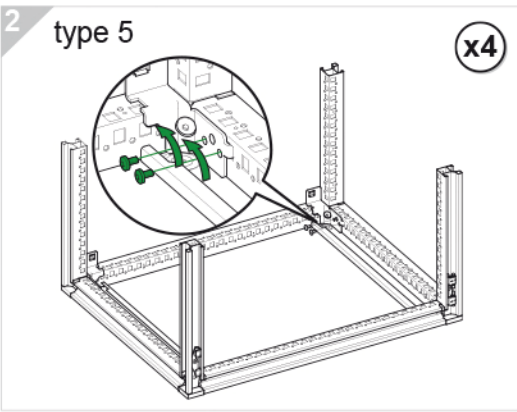
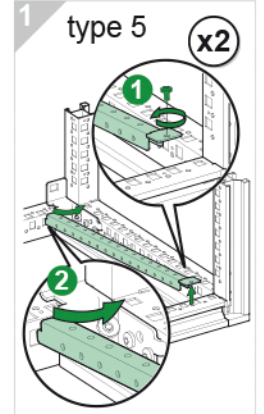
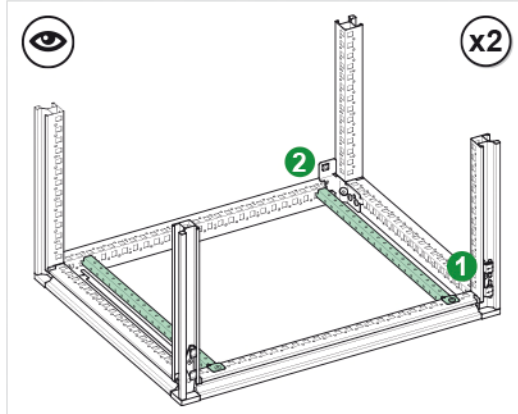
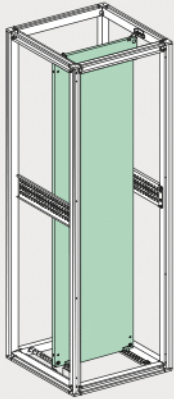
**i**





NSYMPxx

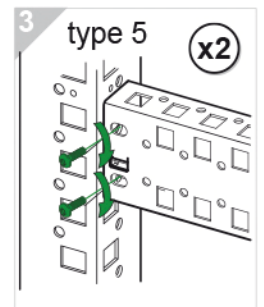
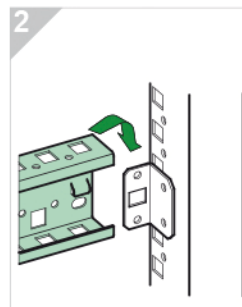
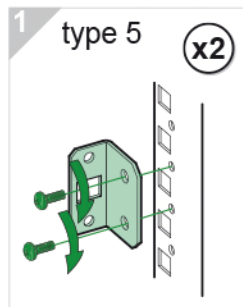
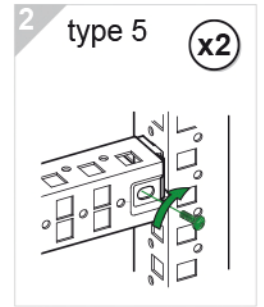
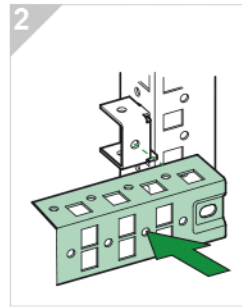
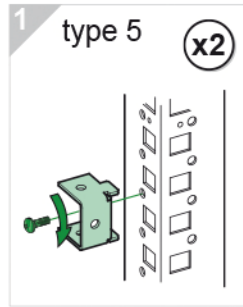
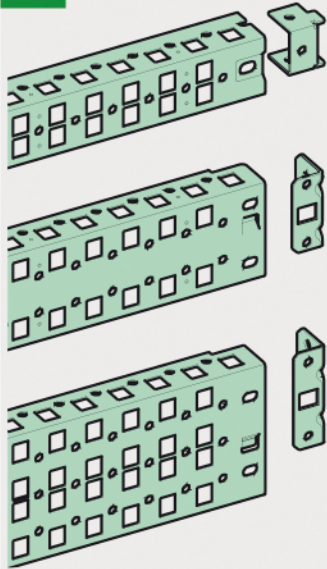
A



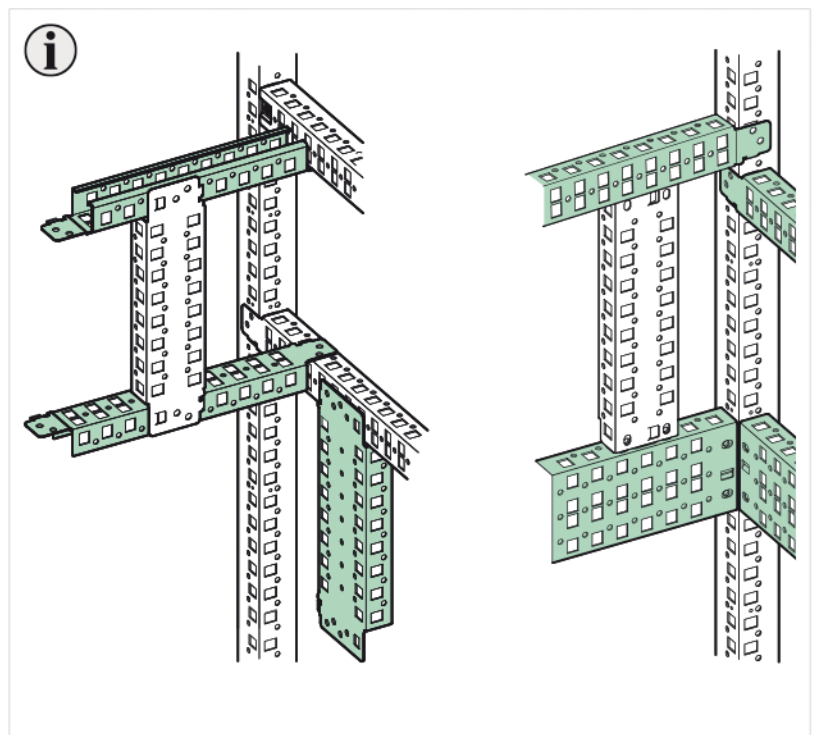
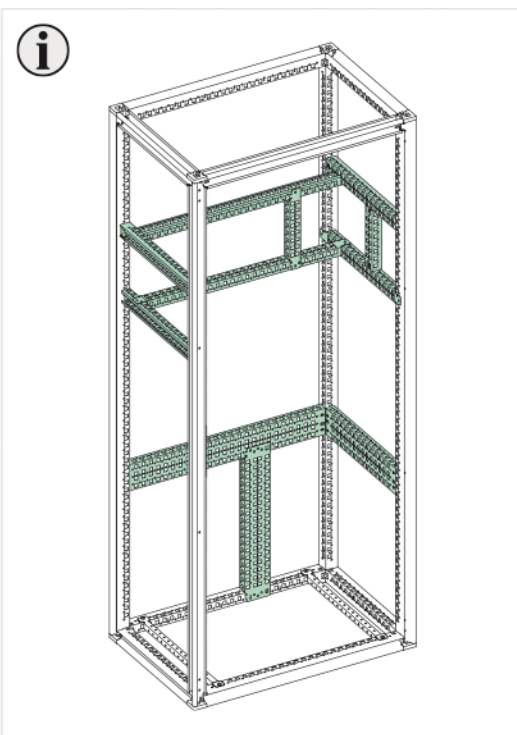
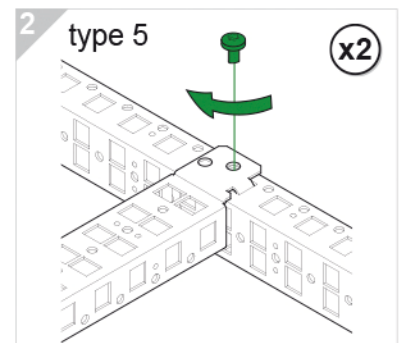
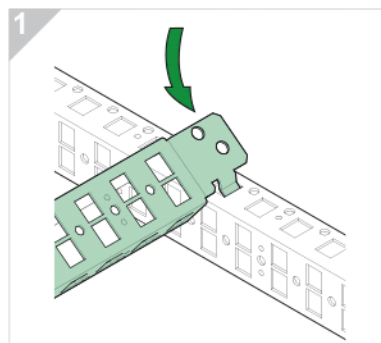
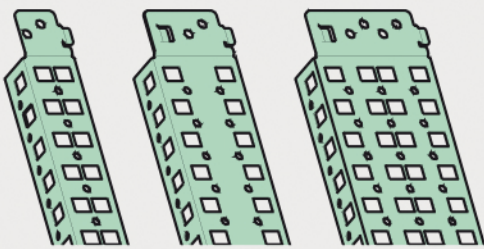




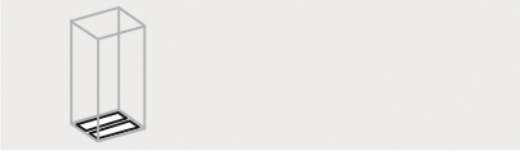
**A** NSYSUCRxxxx



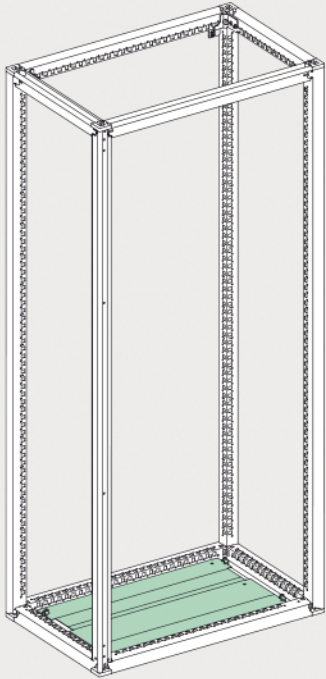
**A** NSYSQCRxxxx







**A**

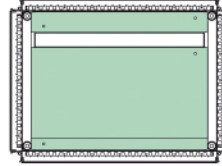


**i**

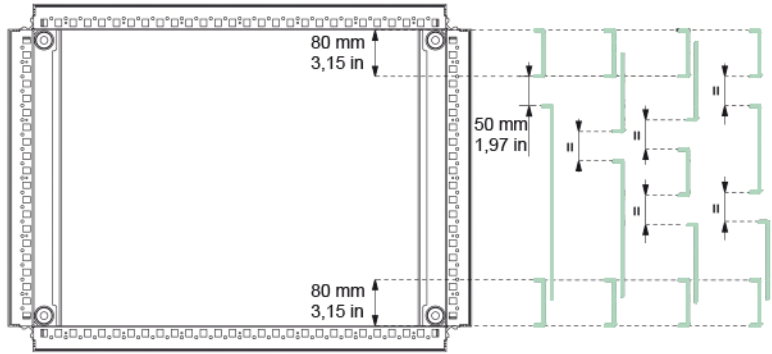
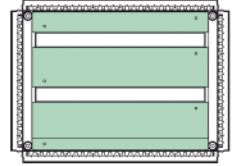
NSYECxx



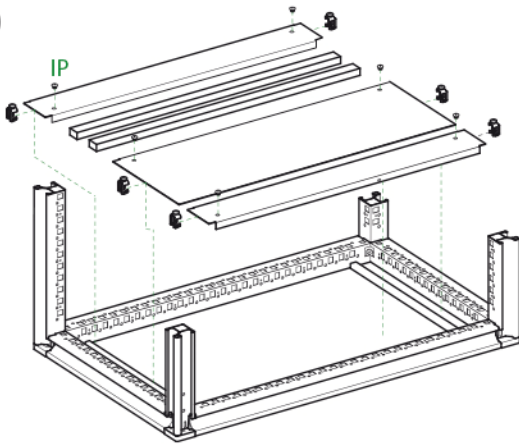
NSYECxx1



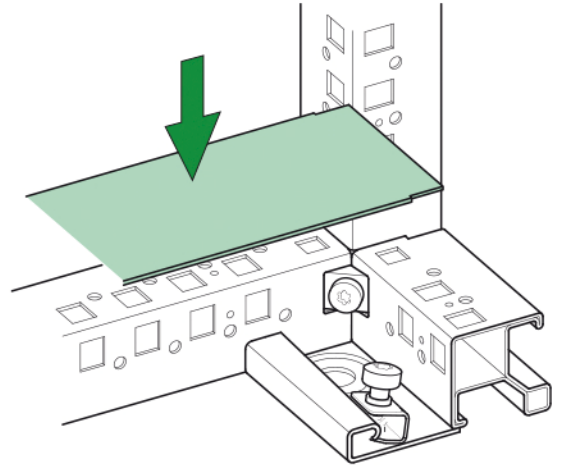
NSYECxx2



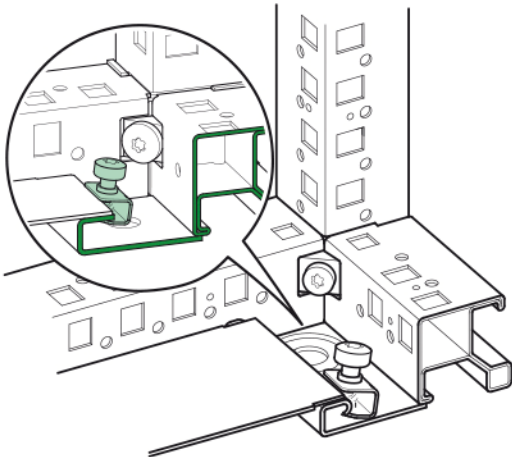
**i**



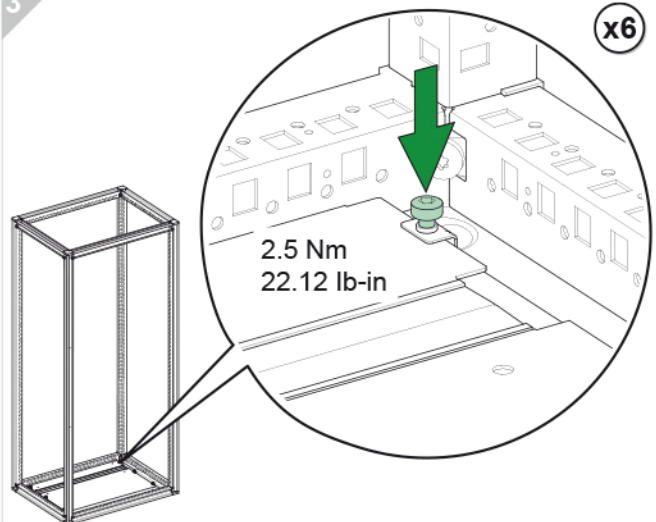
**1**



**2**



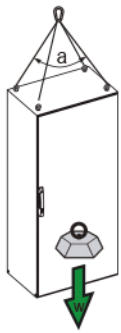
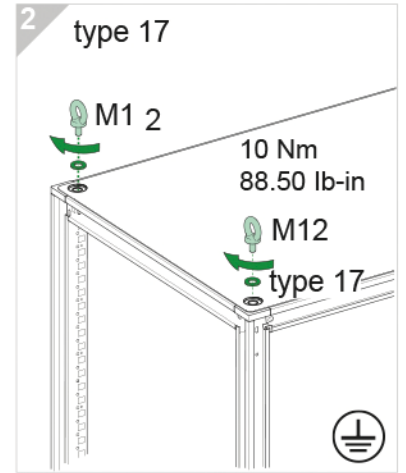
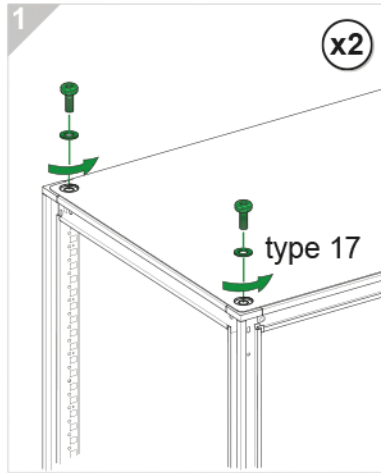
**3**





### NSYSFEB

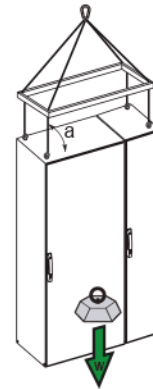
**A**



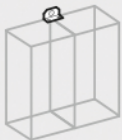
$a = 45^\circ$  W < 580 kg / 1277 lb  
 $a = 60^\circ$  W < 415 kg / 914 lb  
 $a = 90^\circ$  W < 240 kg / 528 lb



$a = 90^\circ$   
W < 750 kg / 1655 lb

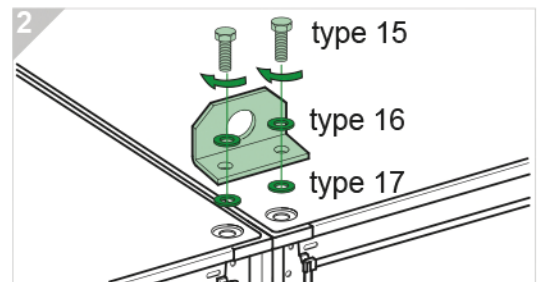
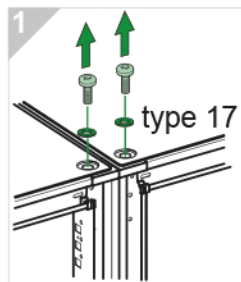


$a = 90^\circ$   
W < 1360 kg / 2998 lb

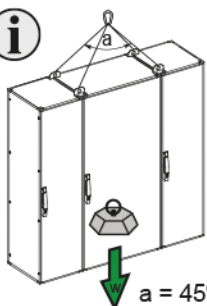


### NSYSFELB

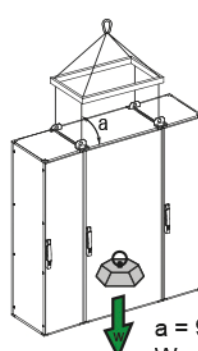
**A**



**i**



$a = 45^\circ$  W < 2800 kg / 6173 lb  
 $a = 60^\circ$  W < 2000 kg / 4410 lb  
 $a = 90^\circ$  W < 1100 kg / 2425 lb



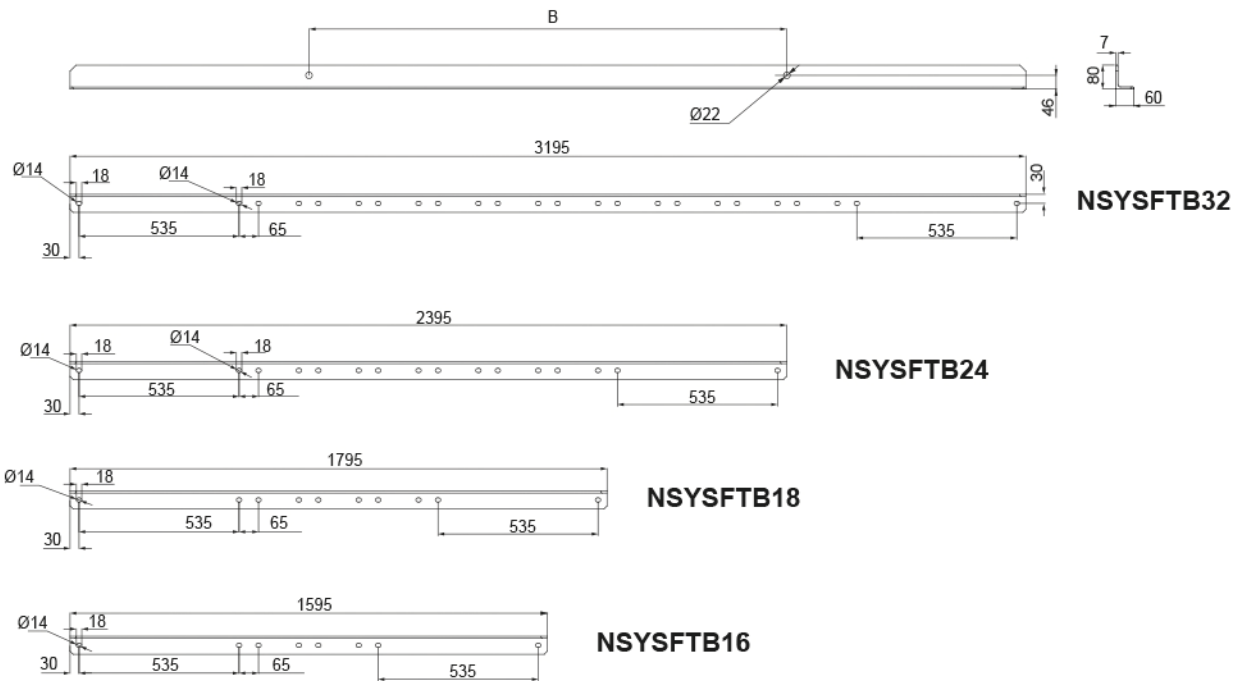
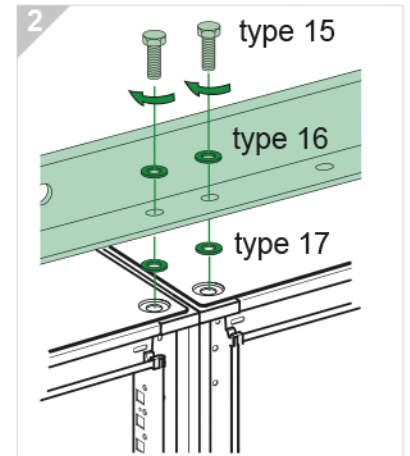
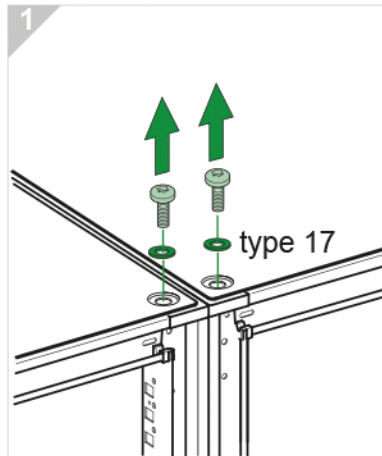
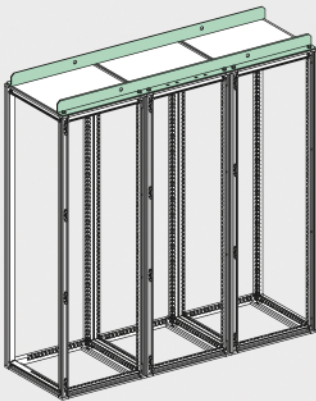
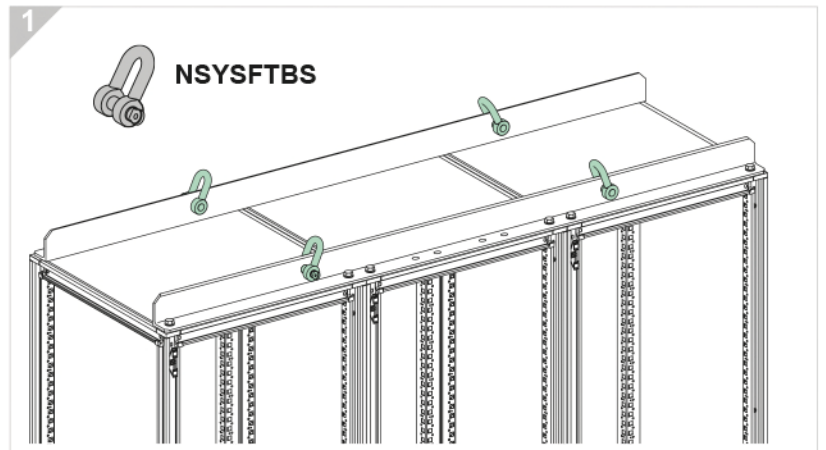
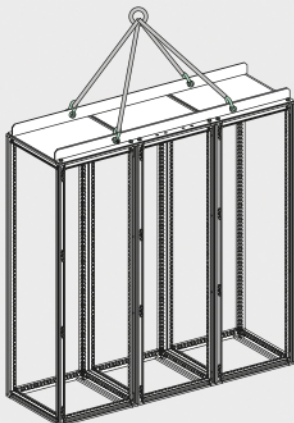
$a = 90^\circ$   
W < 3000 kg / 6614 lb



$a = 90^\circ$   
W < 1500 kg / 3307 lb



Reference	Length (mm)	Maximum load (kg)	B (mm)	Maximum amount of assembled enclosures to be lifted
<b>NSYSFTB16</b>	1595	2000	800	2
<b>NSYSFTB18</b>	1795	3000	900	3
<b>NSYSFTB24</b>	2395	3000	1200	4
<b>NSYSFTB32</b>	3195	4000	1600	5

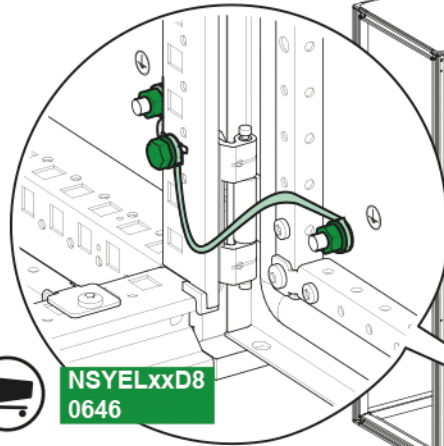
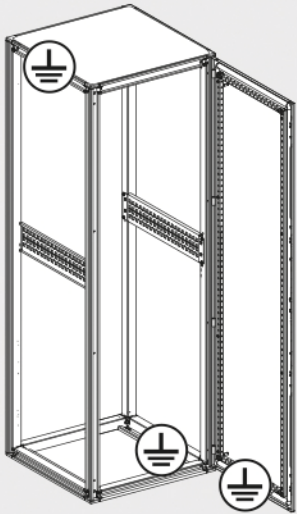
**A****B**





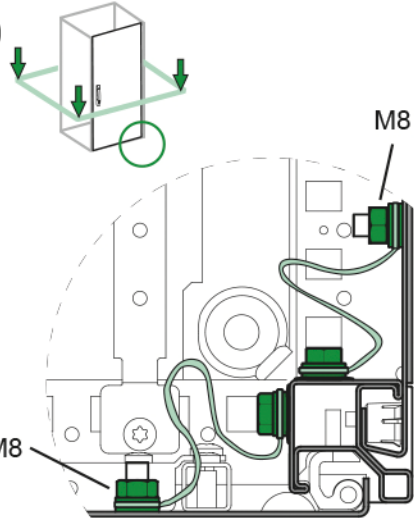
NSYELxxD8  
0646

A



NSYELxxD8  
0646

i

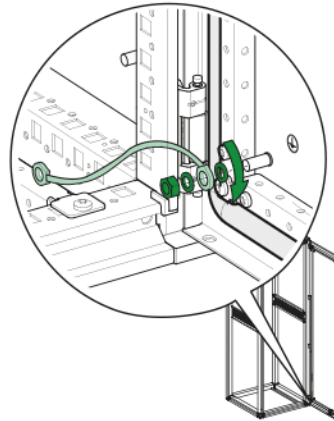


M8

M8

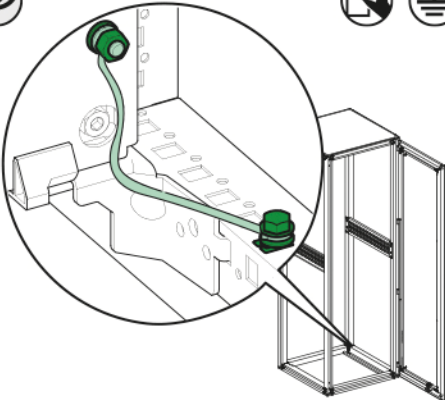
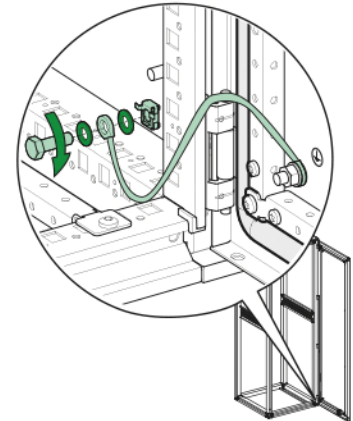
1

type 11 / type 12



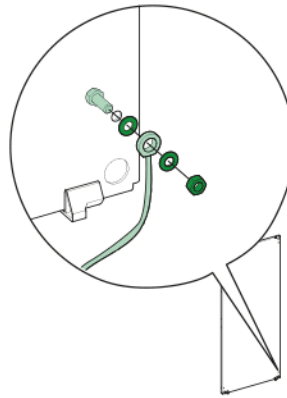
2

type 10 / type 12 / type 14



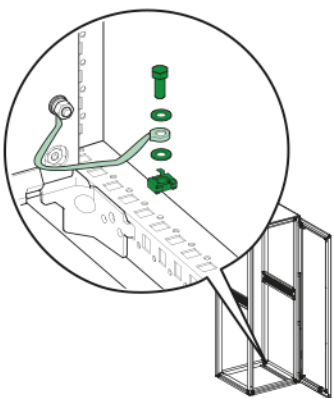
1

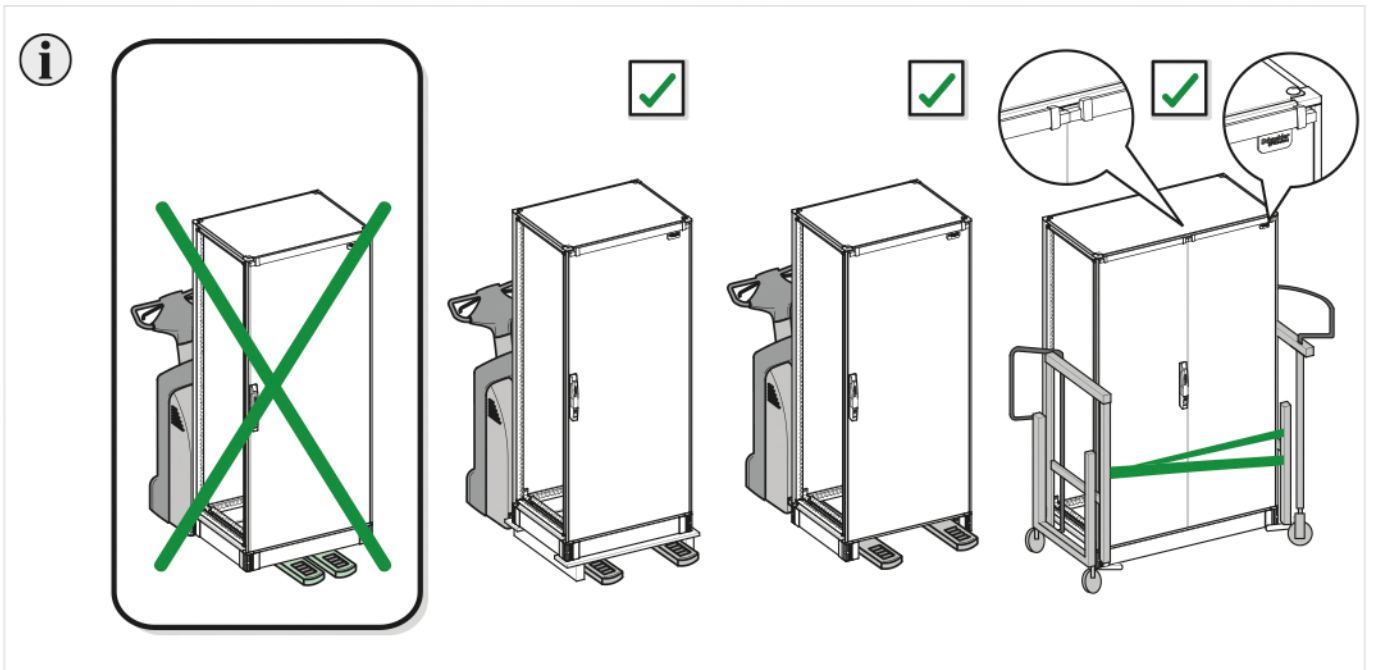
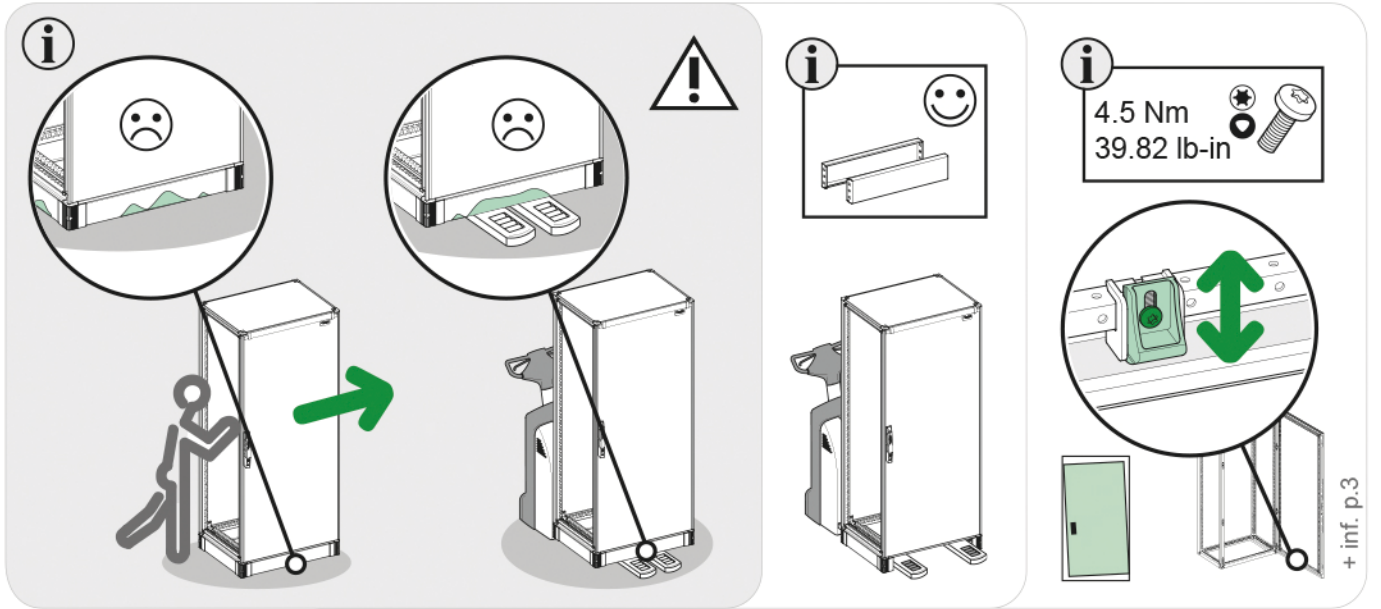
type 11 / type 12



2

type 10 / type 12 / type 14





---

**Schneider Electric Industries SAS**

35, rue Joseph Monier  
CS 30323  
F- 92506 Rueil Malmaison Cedex

RCS Nanterre 954 503 439  
Capital social 896 313 776 €  
[www.schneider-electric.com](http://www.schneider-electric.com)

7312750001-14

© 2016 - Schneider Electric - All rights reserved.

En raison de l'évolution des normes et du matériel, les caractéristiques indiquées par les textes et les images de ce document ne nous engagent qu'après confirmation par nos services.

*As standards, specifications and designs change from time to time, please ask for confirmation of the information given in this publication.*

Publication : Schneider Electric  
Réalisation : Schneider Electric  
Impression :



*Ce document a été imprimé  
sur du papier écologique.  
This document has been  
printed on ecological paper.*