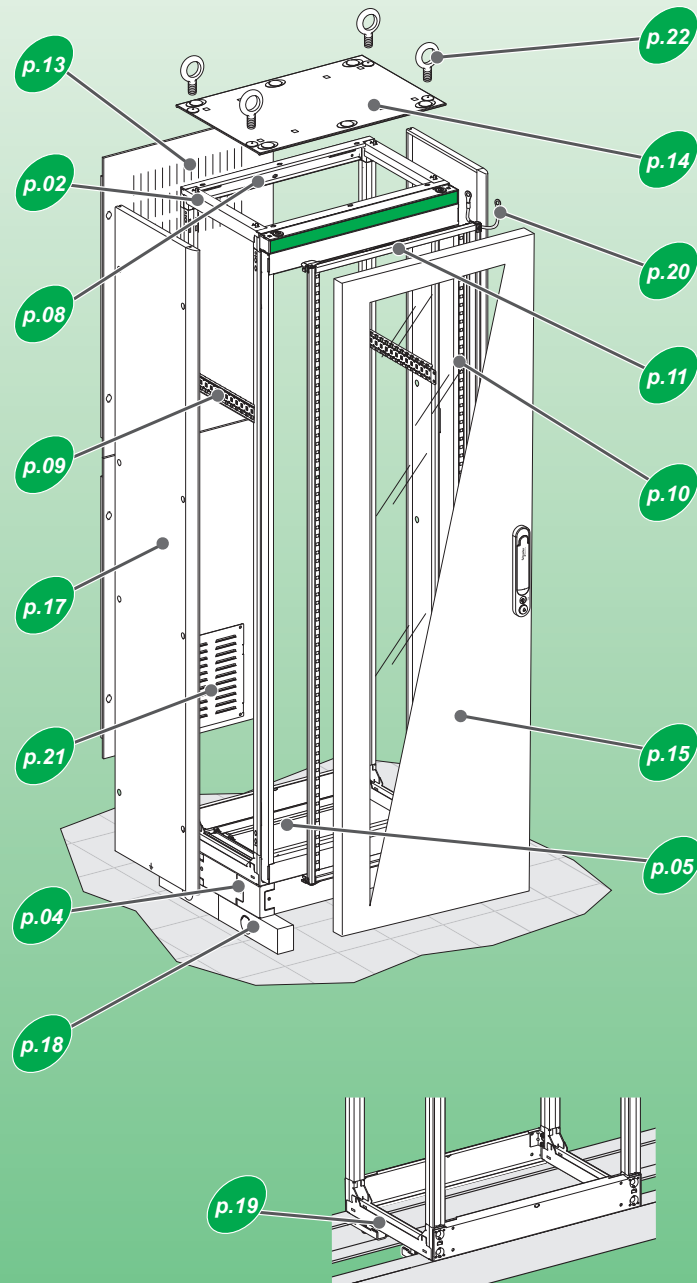


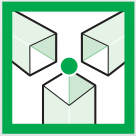
PrismaSeT P IP30 / IP55



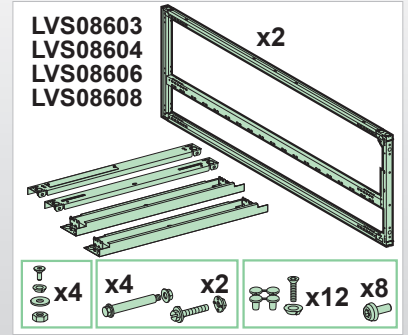
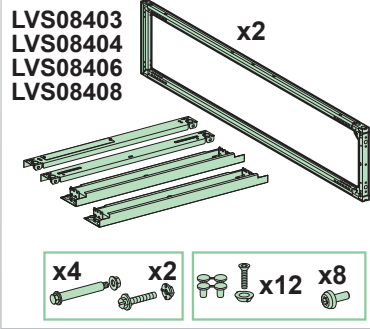
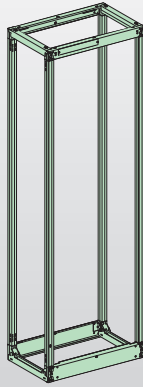
LVS08403 / LVS08404 / LVS08406 / LVS08407 / LVS08408 / LVS08603 / LVS08604 / LVS08606 / LVS08607 / LVS08608 / LVS08717	p.02
LVS08723 / LVS08724 / LVS08726 / LVS08728	p.04
LVS08483 / LVS08484 / LVS08486 / LVS08487 / LVS08488 / LVS08493 / LVS08494 / LVS08496 / LVS08497 / LVS08498 / LVS08683 / LVS08684 / LVS08686 / LVS08687 / LVS08688 / LVS08693 / LVS08694 / LVS08696 / LVS08697 / LVS08698	p.05
LVS08719	p.08
LVS03584 / LVS03586 / LVS03587	p.09
LVS04234	p.10
LVS08560 / LVS08562 / LVS08564 / LVS08566 / LVS08574 / LVS08576 / LVS08578	p.11
LVS08733 / LVS08734 / LVS08736 / LVS08738 / LVS08743 / LVS08744 / LVS08746 / LVS08748	p.13
LVS08433 / LVS08434 / LVS08436 / LVS08438 / LVS08453 / LVS08454 / LVS08456 / LVS08458 / LVS08633 / LVS08634 / LVS08636 / LVS08638 / LVS08653 / LVS08654 / LVS08656 / LVS08658	p.14
LVS01224 / LVS01225 / LVS08513 / LVS08514 / LVS08516 / LVS08518 / LVS08523 / LVS08524 / LVS08526 / LVS08528 / LVS08534 / LVS08536 / LVS08538 / LVS08544 / LVS08546 / LVS08548	p.15
LVS08750 / LVS08755 / LVS08760 / LVS08765	p.17
LVS08701	p.18
LVS08703	p.19
LVS08910 / LVS08911	p.20
LVS08711	p.21
LVS07932 / LVS07933 / LVS08700	p.22

<p>PLEASE NOTE Electrical equipment should be installed, operated, serviced, and maintained only by qualified personnel. No responsibility is assumed by Schneider Electric for any consequences arising out of the use of this material.</p>	<p>REMARQUE IMPORTANTE L'installation, l'utilisation, la réparation et la maintenance des équipements électriques doivent être assurées uniquement par du personnel qualifié. Schneider Electric décline toute responsabilité quant aux conséquences de l'utilisation de ce matériel.</p>	<p>TENGA EN CUENTA La instalación, manejo, puesta en servicio y mantenimiento de equipos eléctricos deberán ser realizados sólo por personal cualificado. Schneider Electric no se hace responsable de ninguna de las consecuencias del uso de este material.</p>	<p>BITTE BEACHTEN Elektrische Geräte dürfen nur von Fachpersonal installiert, betrieben, bedient und gewartet werden. Schneider Electric haftet nicht für Schäden, die durch die Verwendung dieses Materials entstehen.</p>
<p>NOTA Manutenzione, riparazione, installazione e uso delle apparecchiature elettriche si devono affidare solo a personale qualificato. Schneider Electric non si assume alcuna responsabilità per qualsiasi conseguenza derivante dall'uso di questo materiale.</p>	<p>NOTA A instalação, utilização e manutenção do equipamento eléctrico devem ser efectuadas exclusivamente por pessoal qualificado. A Schneider Electric não assume qualquer responsabilidade pelas consequências resultantes da utilização deste material.</p>	<p>请注意 电气设备的安装、操作、维修和维护工作仅限于合格人员执行。Schneider Electric不承担由于使用本资料所引起的任何后果。</p>	<p>ОБРАТИТЕ ВНИМАНИЕ Установка, эксплуатация, ремонт и обслуживание электрического оборудования может выполняться только квалифицированными электриками. Компания Schneider Electric не несет никакой ответственности за любые возможные последствия использования данной документации.</p>

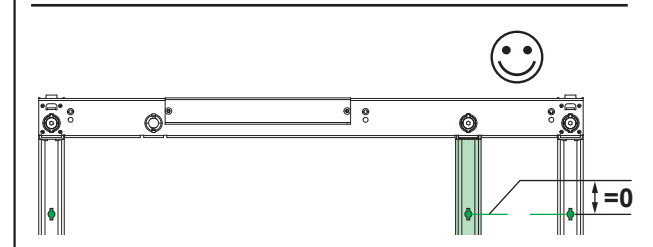
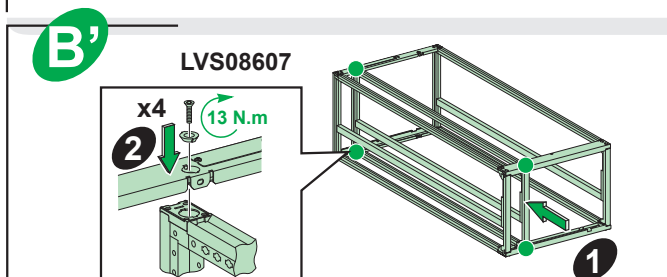
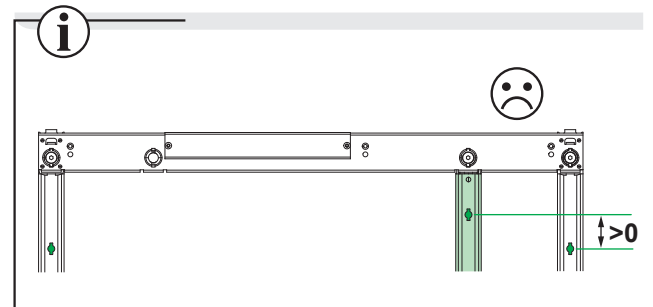
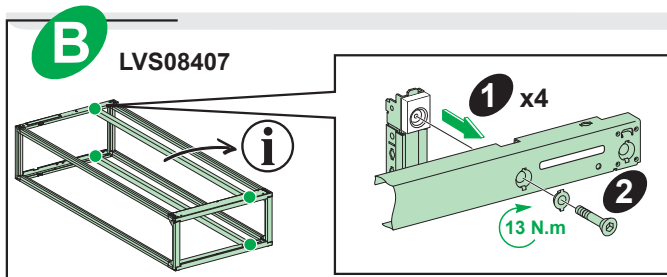
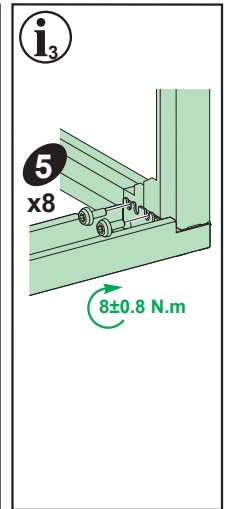
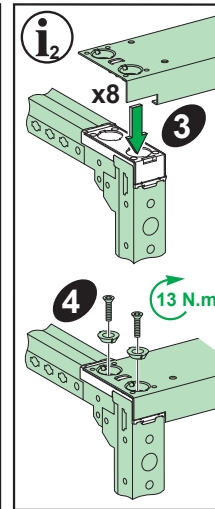
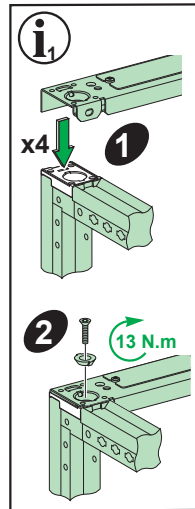
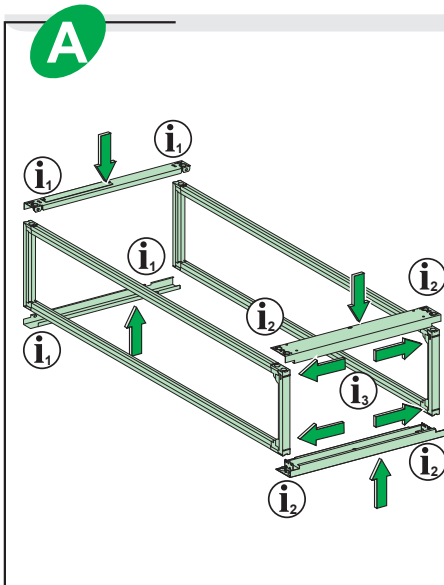
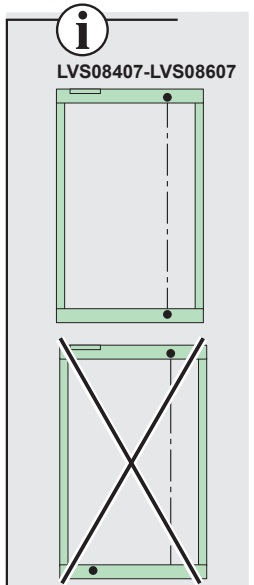
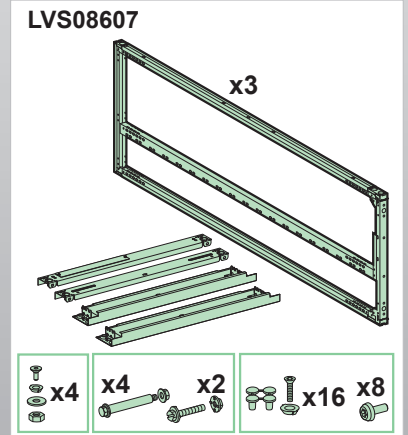
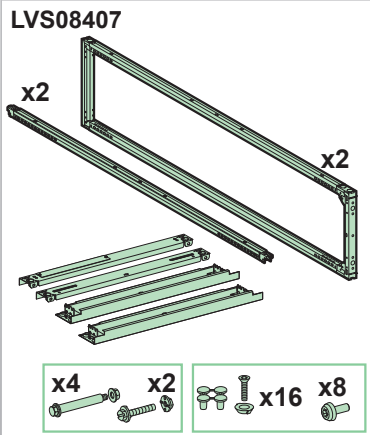
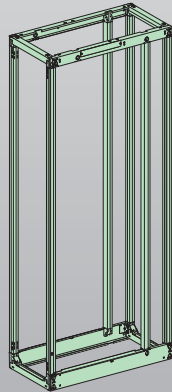
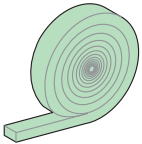
PrismaSeT P

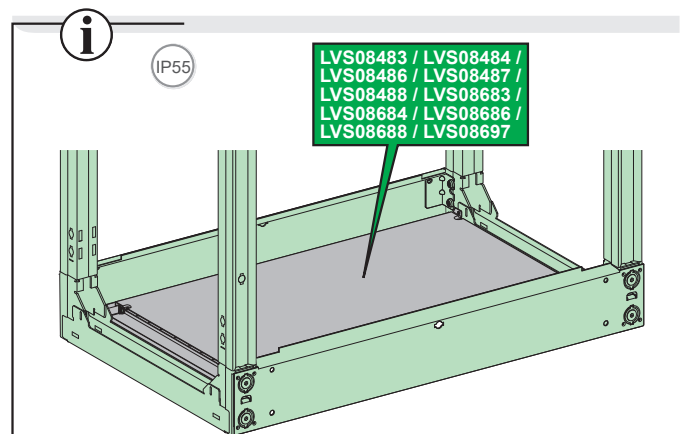
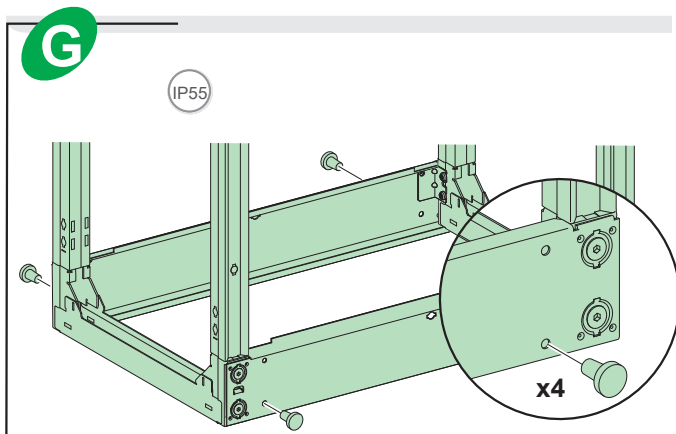
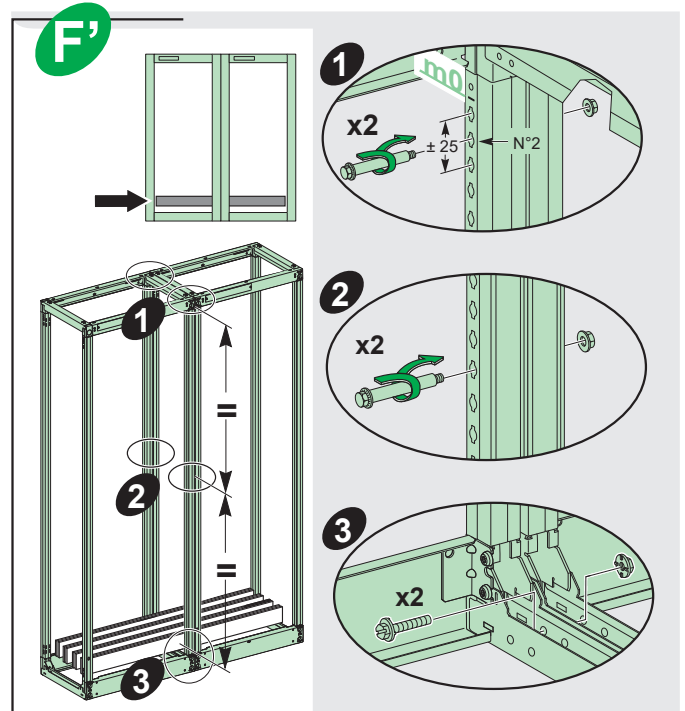
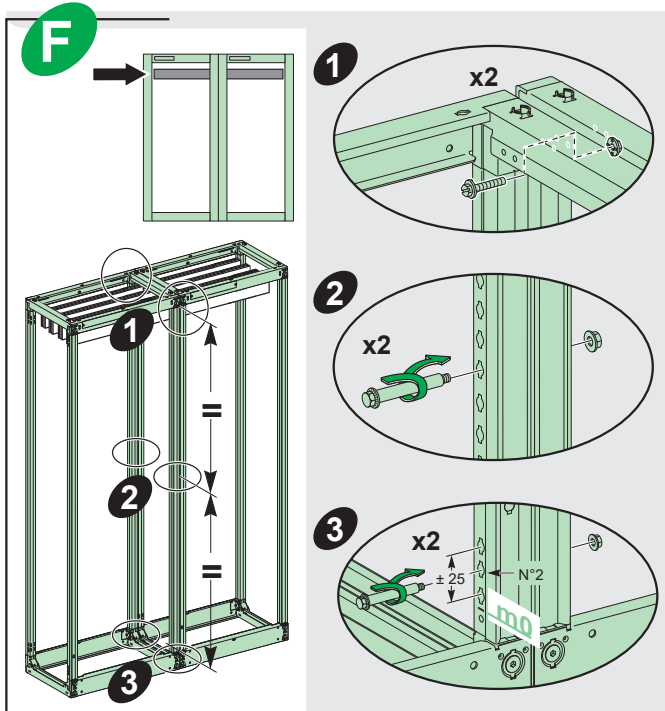
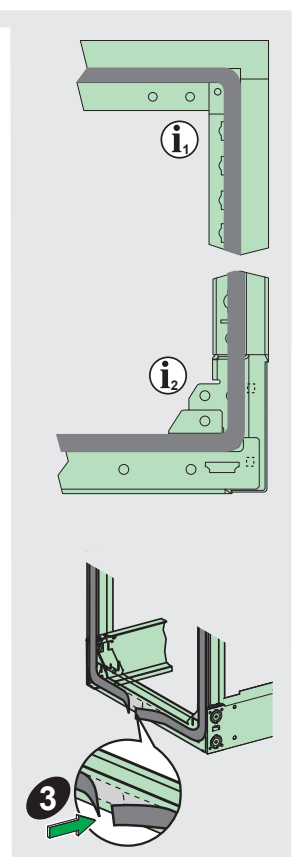
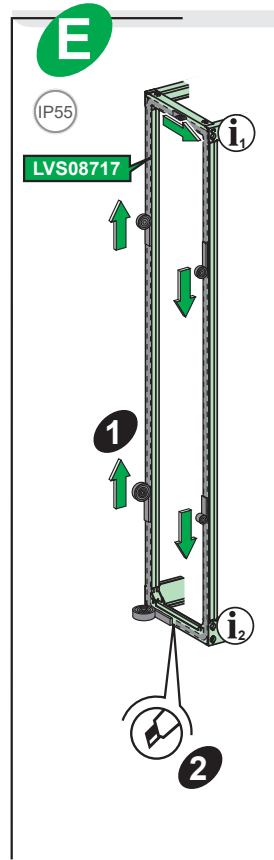
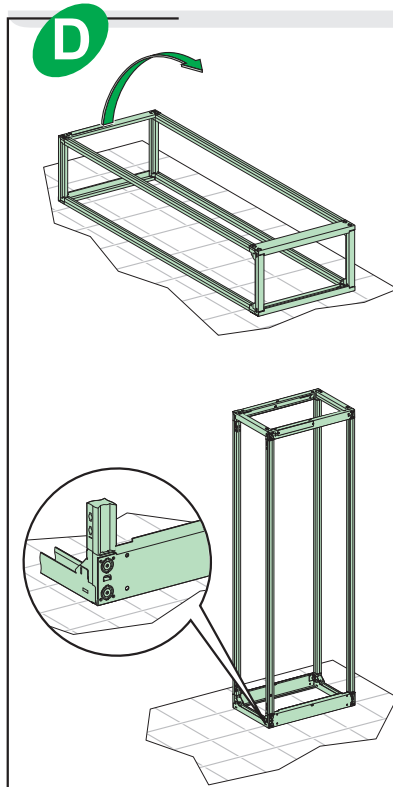
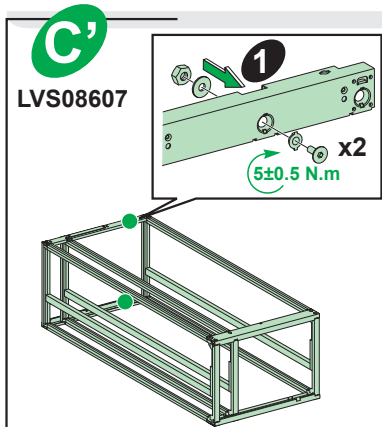
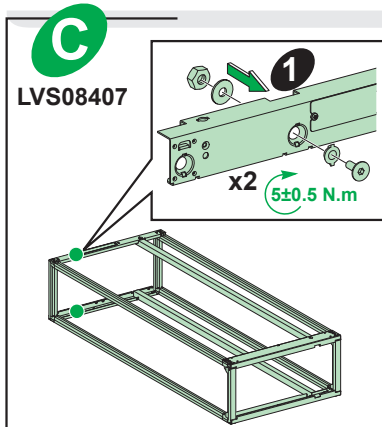


LVS08403 / LVS08404
 LVS08406 / LVS08407
 LVS08408 / LVS08603
 LVS08604 / LVS08606
 LVS08607 / LVS08608

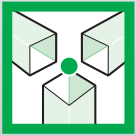


LVS08717

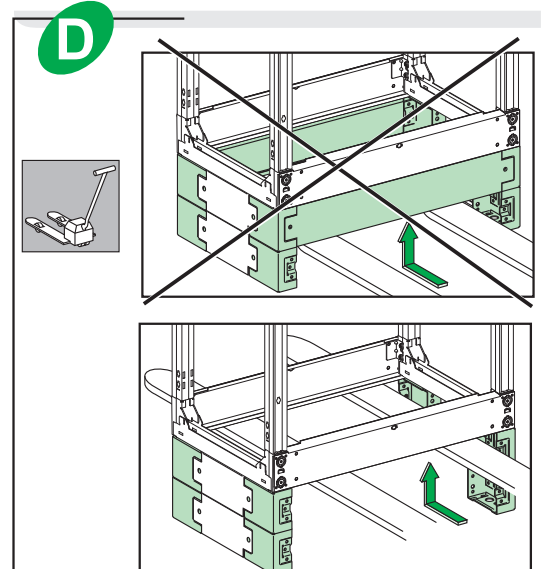
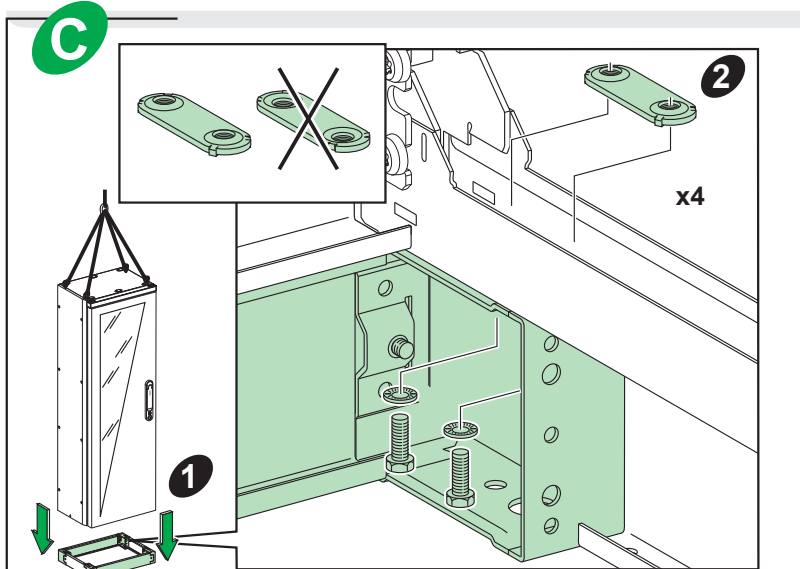
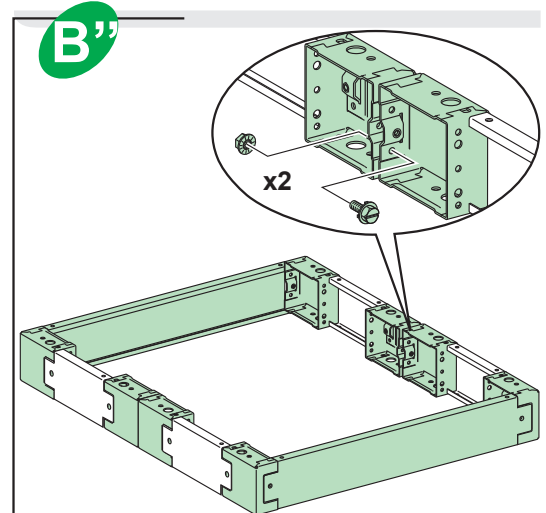
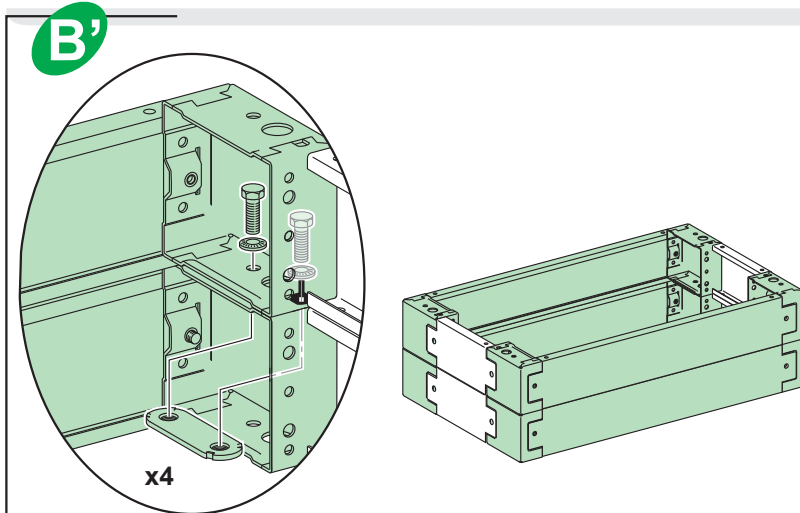
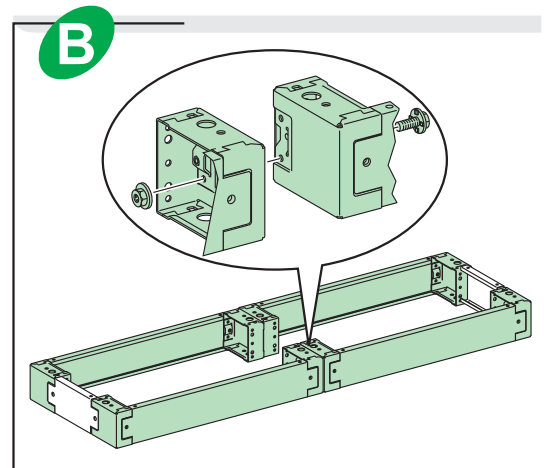
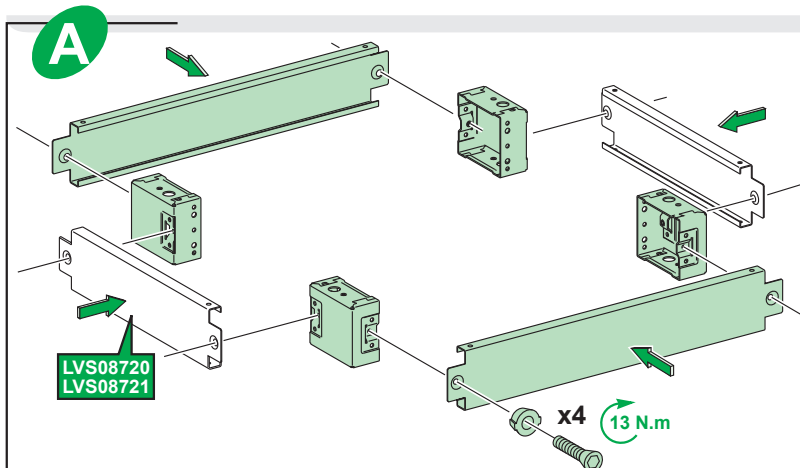
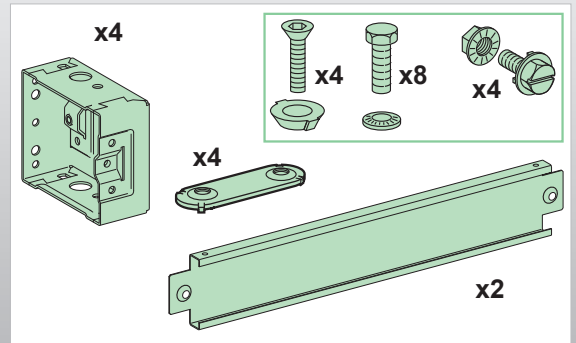
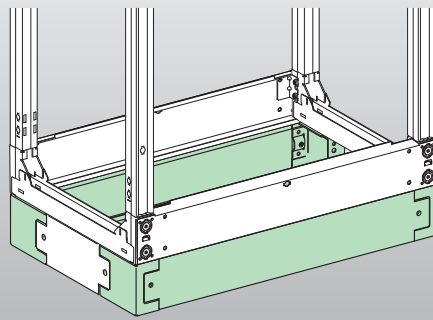




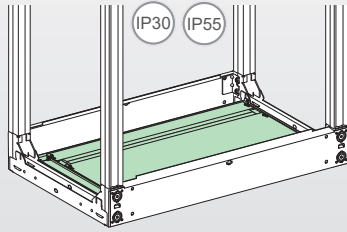
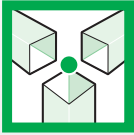
PrismaSeT P



LVS08723
LVS08724
LVS08726
LVS08728



PrismaSeT P



LVS08483 / LVS08484 / LVS08486 /
 LVS08487 / LVS08488 / LVS08493 /
 LVS08494 / LVS08496 / LVS08497 /
 LVS08498 / LVS08683 / LVS08684 /
 LVS08686 / LVS08687 / LVS08688 /
 LVS08693 / LVS08694 / LVS08696 /
 LVS08697 / LVS08698

LVS08493
 LVS08494
 LVS08693
 LVS08694

IP30

x8
 x4
 x8 (M5)
 x4 (M6)

x2

LVS08496
 LVS08498
 LVS08696
 LVS08698

IP30

x10
 x4
 x10 (M5)
 x4 (M6)

x2

LVS08497

IP30

x12
 x4
 x12 (M5)
 x4 (M6)

x2

LVS08697

IP30

x2
 x2
 x18
 x8
 x18 (M5)
 x8 (M6)

x2

LVS08487

IP55

x2
 x2
 x10
 x4
 x10 (M5)
 x4 (M6)

LVS08687

IP55

x2
 x2
 x16
 x4
 x16 (M5)
 x8 (M6)

LVS08483
 LVS08484
 LVS08486
 LVS08488
 LVS08683
 LVS08684
 LVS08686
 LVS08688

IP55

x2
 x2
 x10
 x4
 x10 (M5)
 x4 (M6)

i LVS08746
 LVS08748

IP55

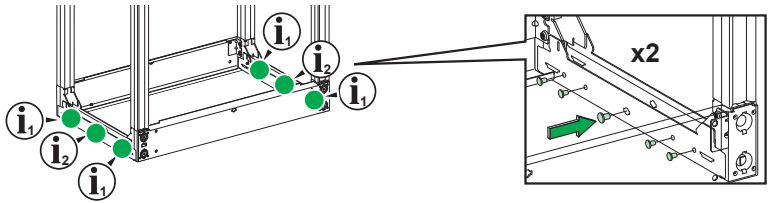
1

2

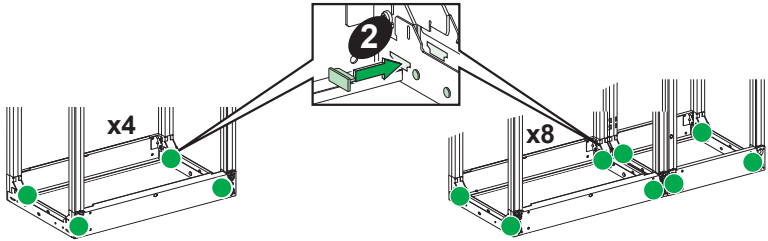
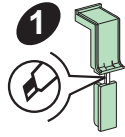
3

A

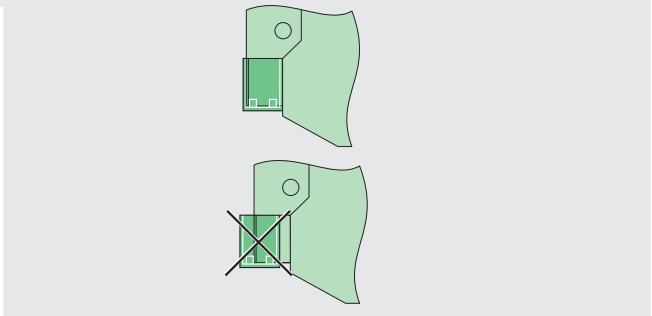
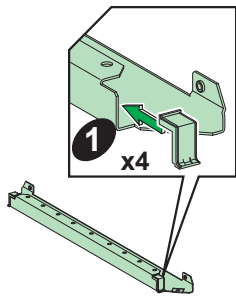
- i₁** Ø6 x8
- i₂** Ø10 x2



B



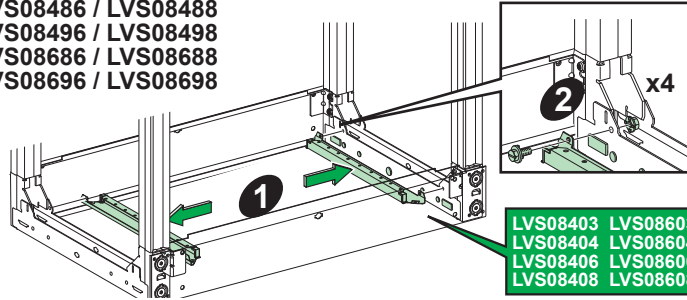
C



D

- LVS08483 / LVS08484 / LVS08486 / LVS08488
- LVS08493 / LVS08494 / LVS08496 / LVS08498
- LVS08683 / LVS08684 / LVS08686 / LVS08688
- LVS08693 / LVS08694 / LVS08696 / LVS08698

- IP30
- IP55



- LVS08403 LVS08603
- LVS08404 LVS08604
- LVS08406 LVS08606
- LVS08408 LVS08608

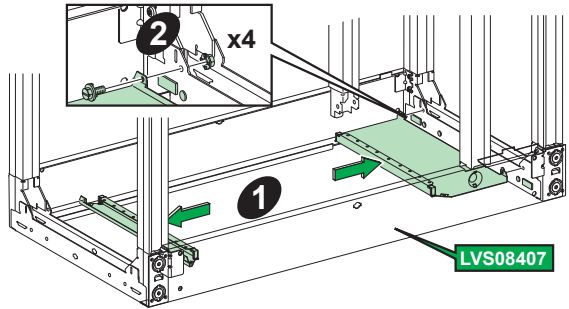
D'

LVS08497

- IP30

LVS08487

- IP55



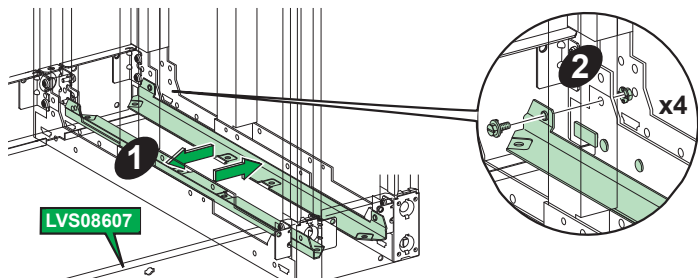
D''

LVS08697

- IP30

LVS08687

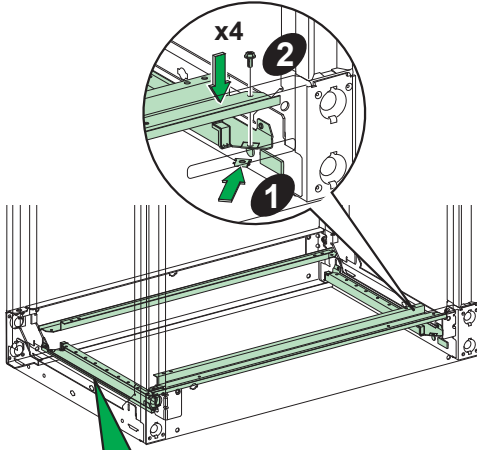
- IP55



E

IP30

LVS08493
LVS08494
LVS08496
LVS08498
LVS08693
LVS08694
LVS08696
LVS08698



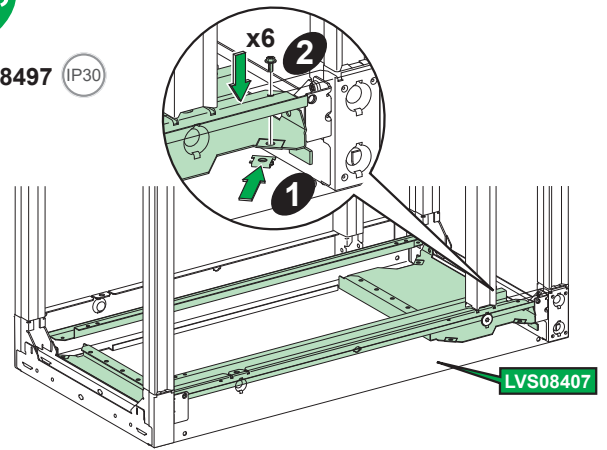
IP55

LVS08483
LVS08484
LVS08486
LVS08488
LVS08683
LVS08684
LVS08686
LVS08687
LVS08688

LVS08403 LVS08603
LVS08404 LVS08604
LVS08406 LVS08606
LVS08408 LVS08608
LVS08607

E'

LVS08497 IP30

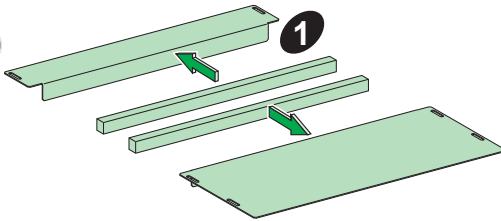


LVS08407

i

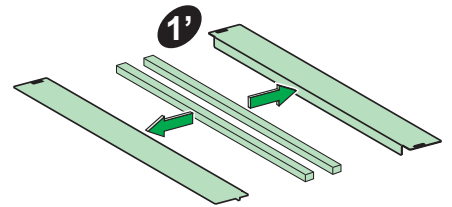
LVS08496
LVS08497
LVS08498
LVS08696
LVS08697
LVS08698

IP30



LVS08493
LVS08494
LVS08693
LVS08694

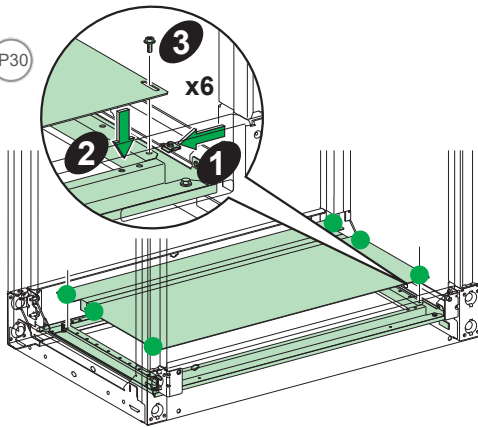
IP30



F

LVS08496
LVS08497
LVS08498
LVS08696
LVS08697
LVS08698

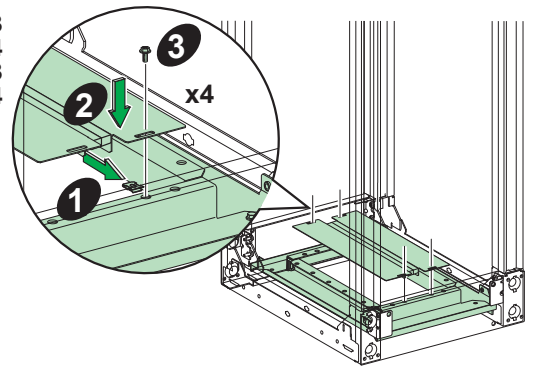
IP30



F'

LVS08493
LVS08494
LVS08693
LVS08694

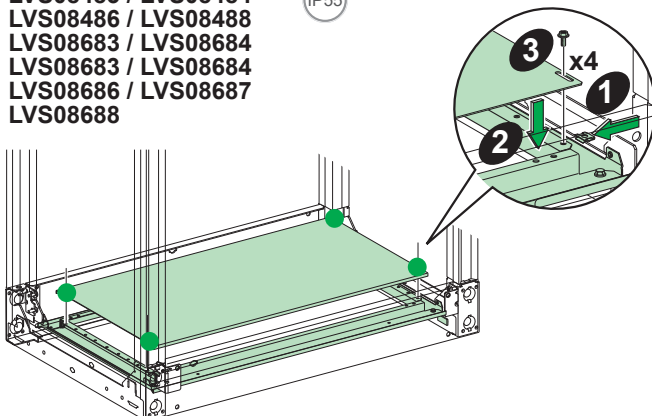
IP30



F''

LVS08483 / LVS08484
LVS08486 / LVS08488
LVS08683 / LVS08684
LVS08683 / LVS08684
LVS08686 / LVS08687
LVS08688

IP55

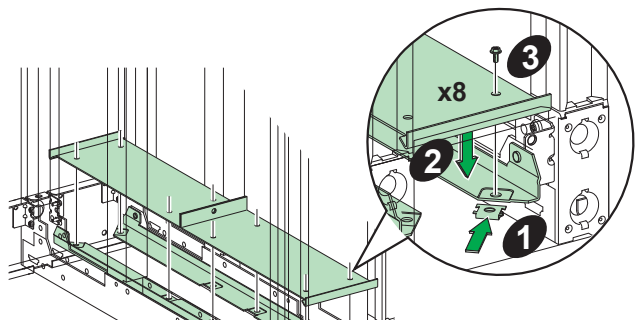


F'''

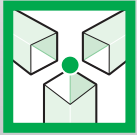
LVS08697
LVS08687

IP30

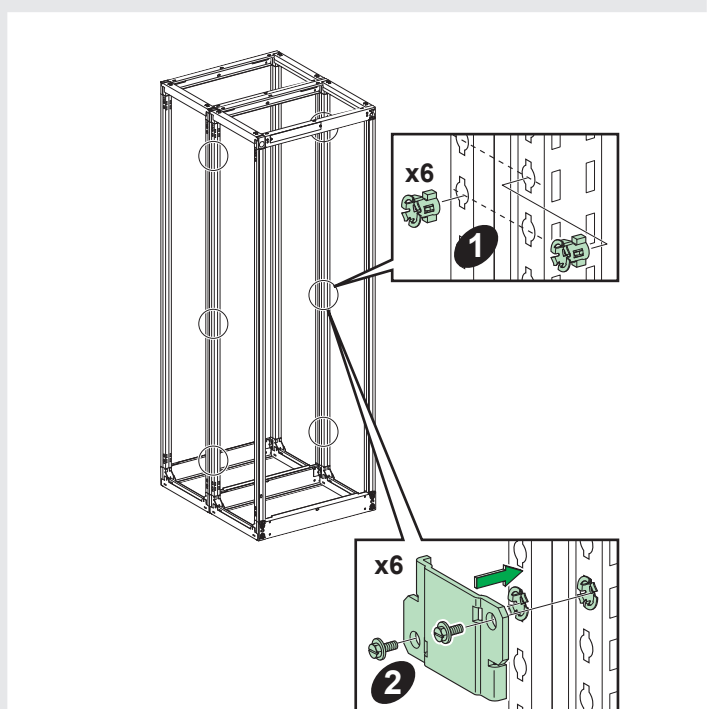
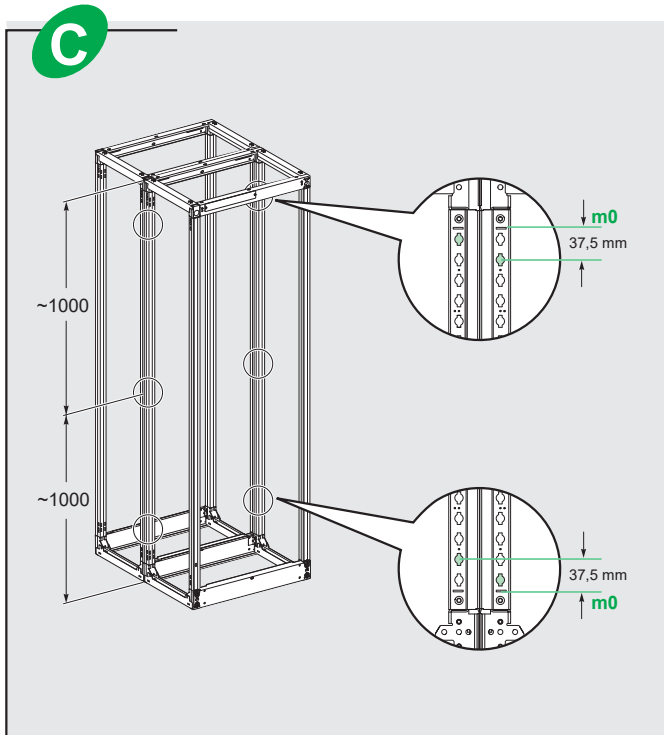
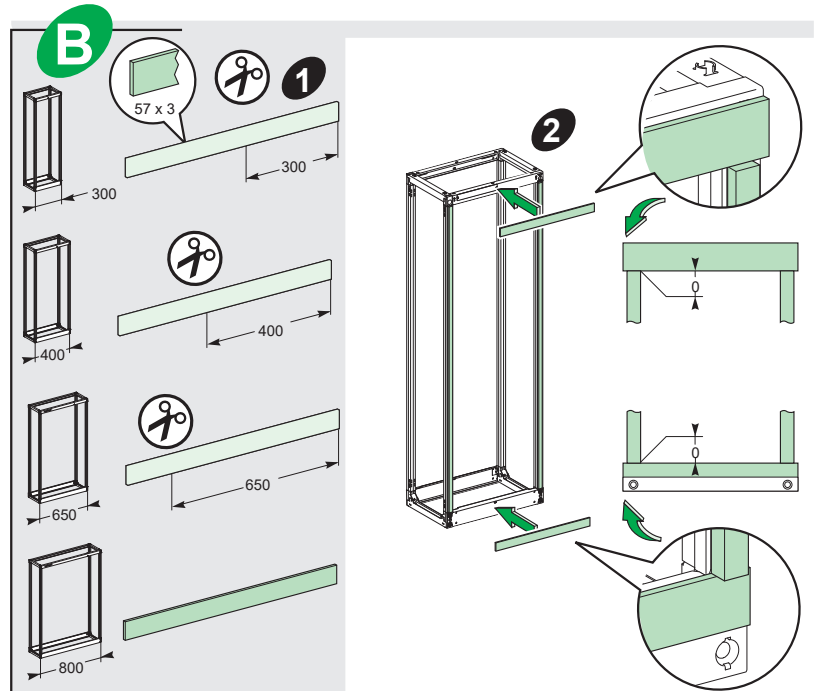
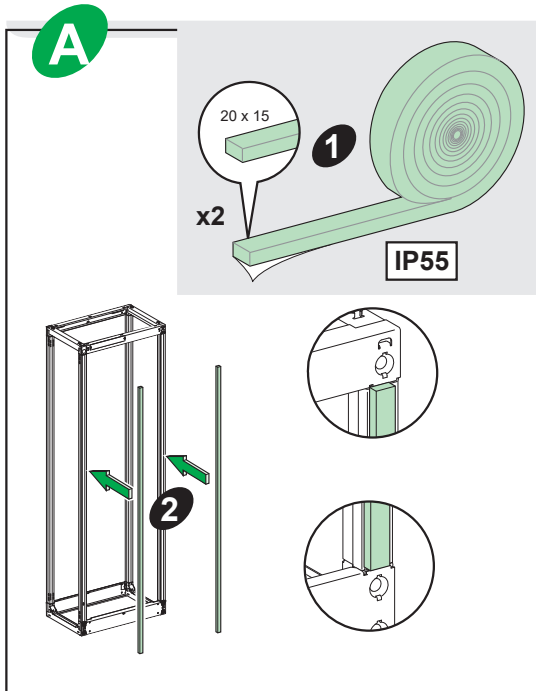
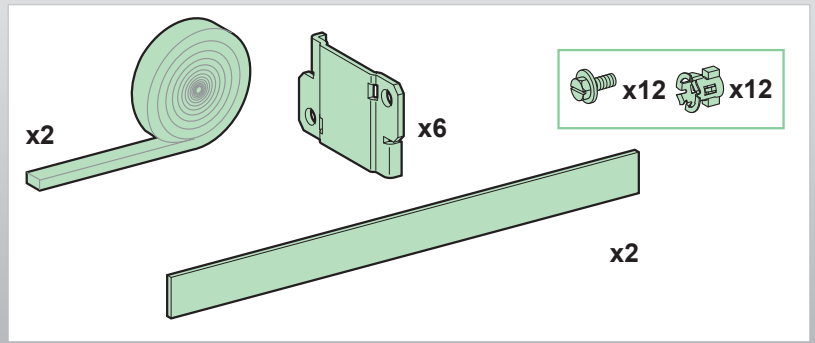
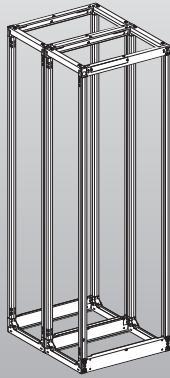
IP55



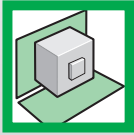
PrismaSet P



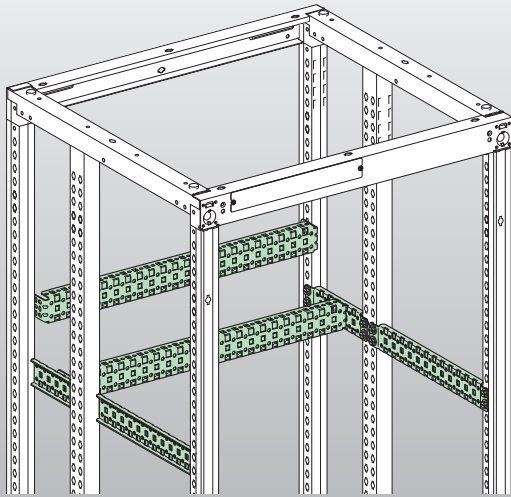
LVS08719



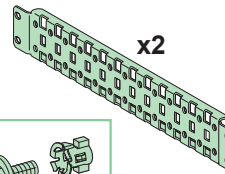
PrismaSet P



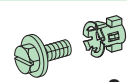
LVS03584
LVS03586
LVS03587



LVS03584

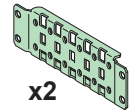


x2

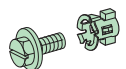


x8

LVS03586

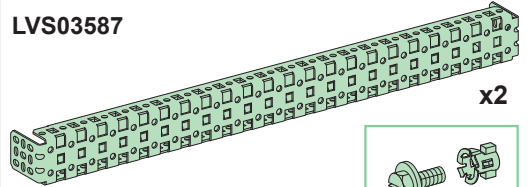


x2

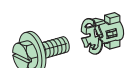


x8

LVS03587

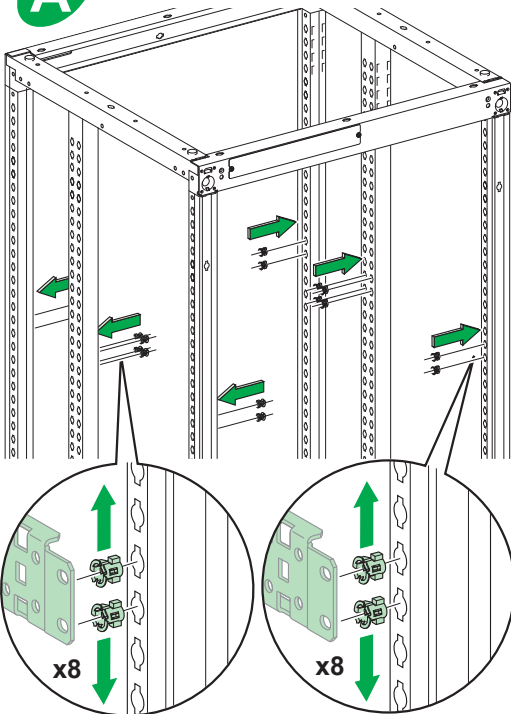


x2



x8

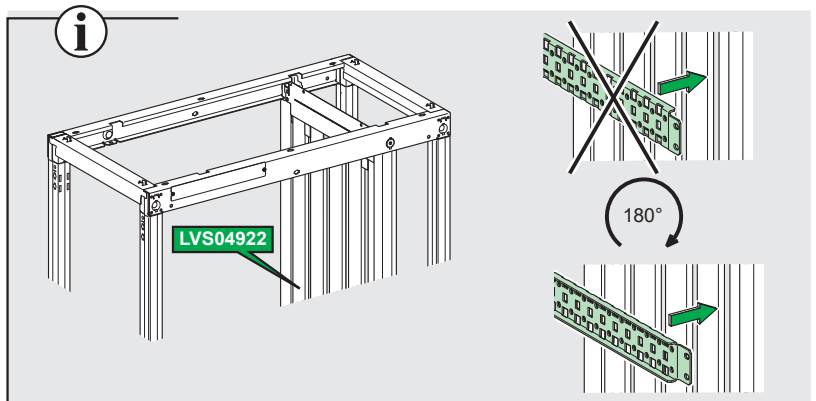
A



LVS03586

LVS03584

i

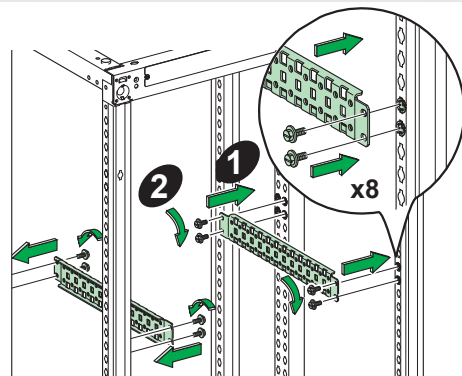


LVS04922

180°

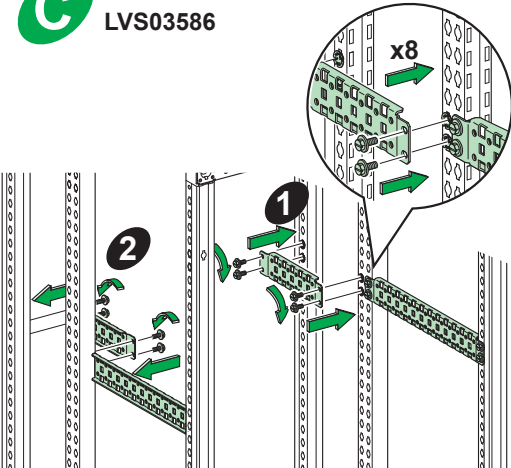
B

LVS03584



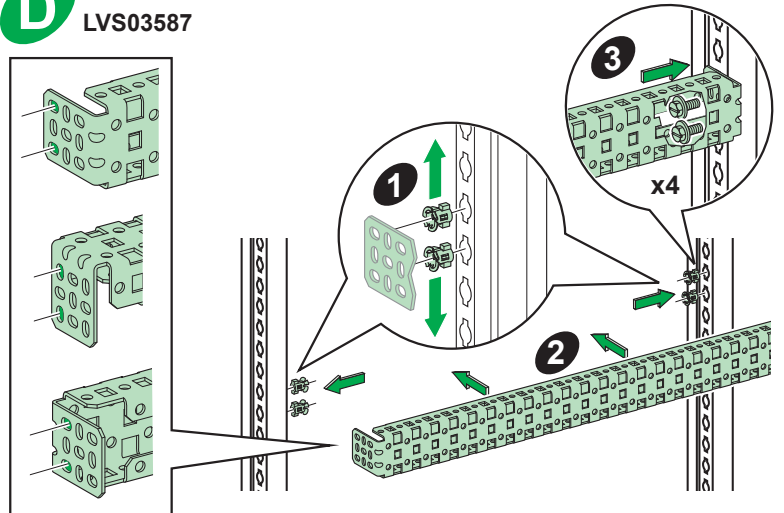
C

LVS03586

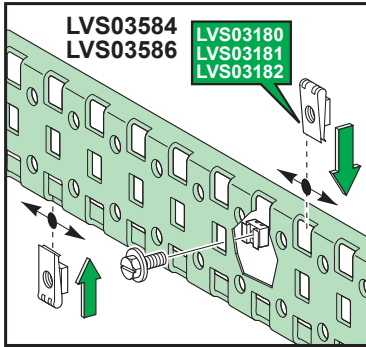
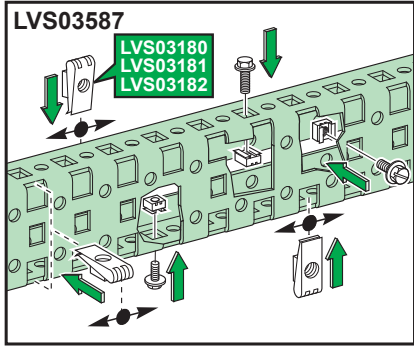
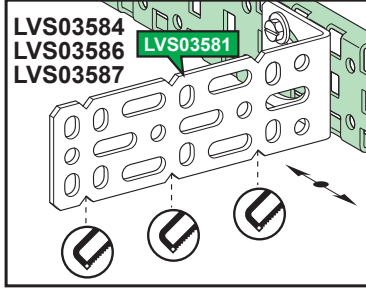
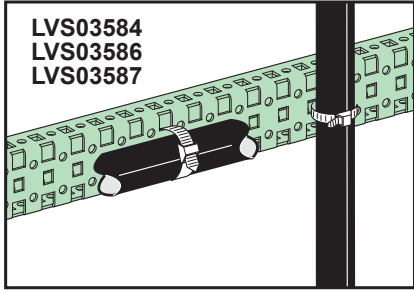


D

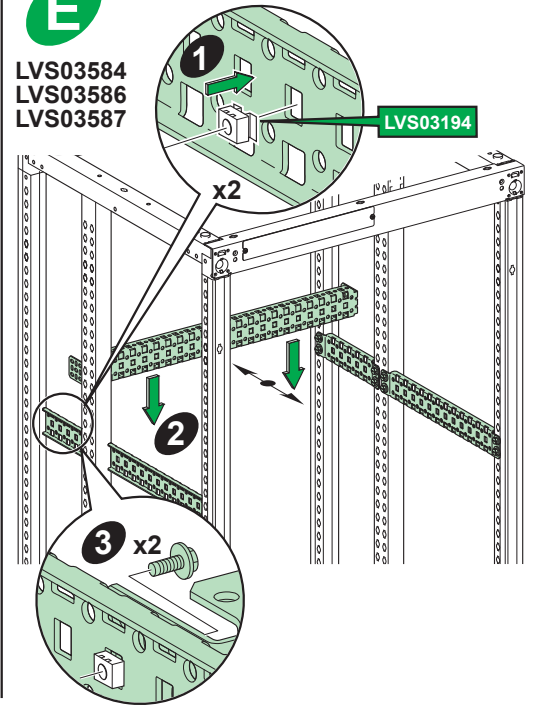
LVS03587



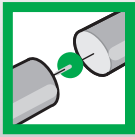
i



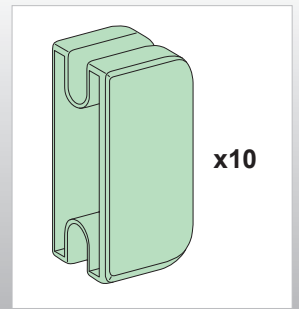
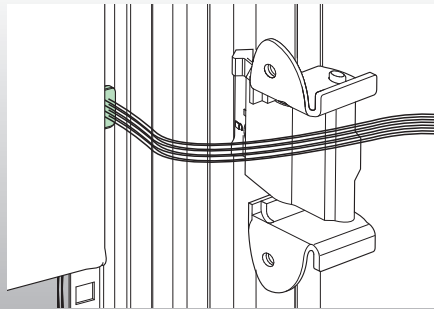
E



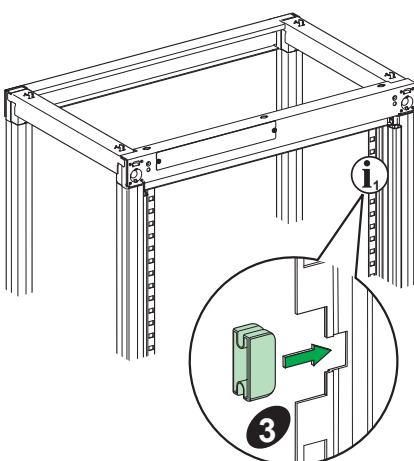
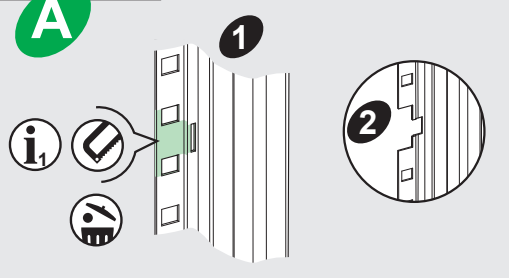
PrismaSet P



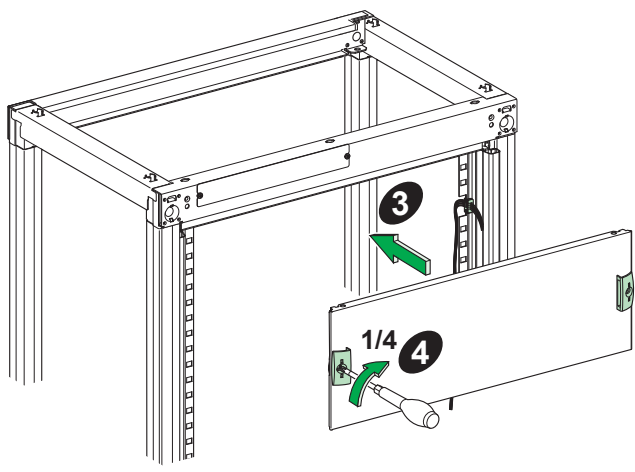
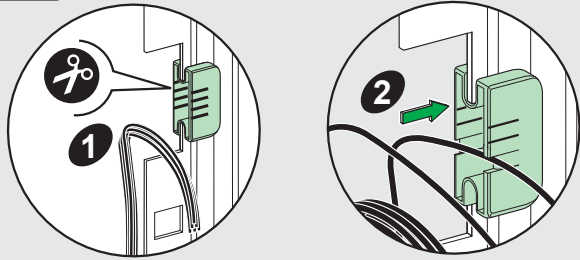
LVS04234



A



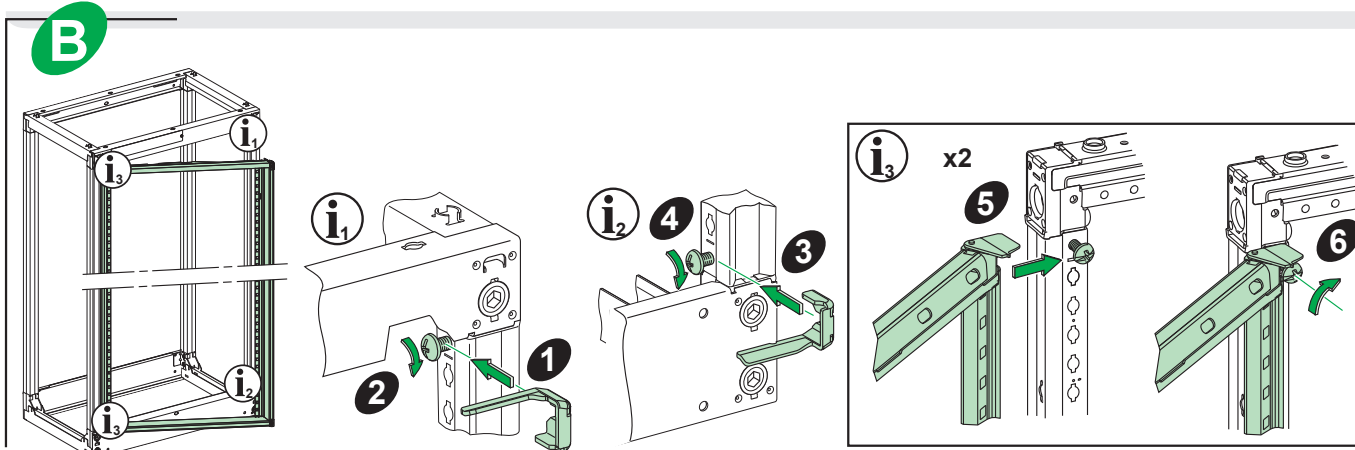
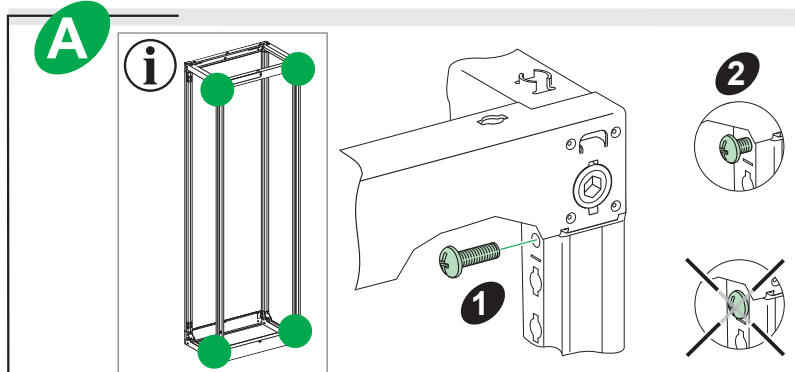
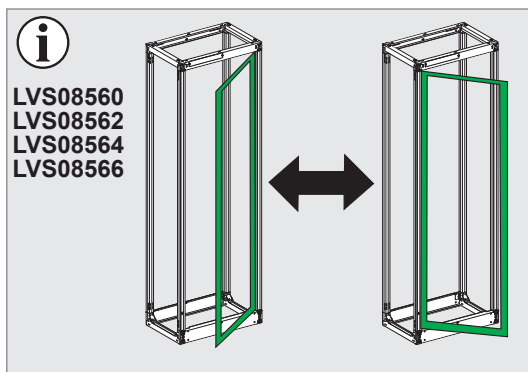
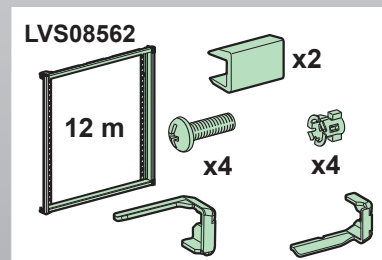
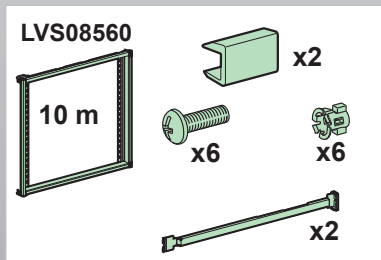
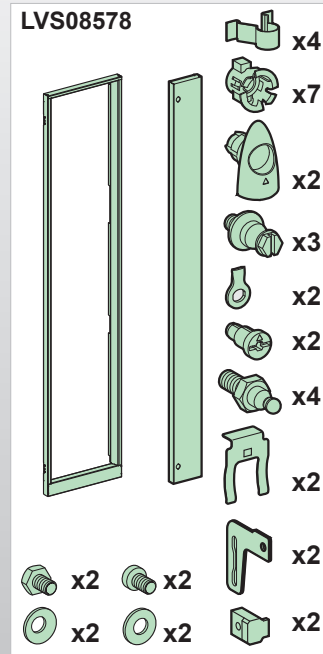
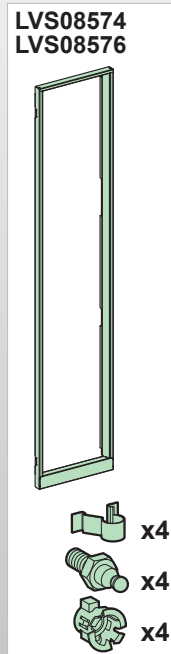
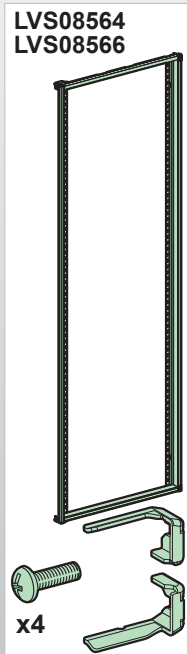
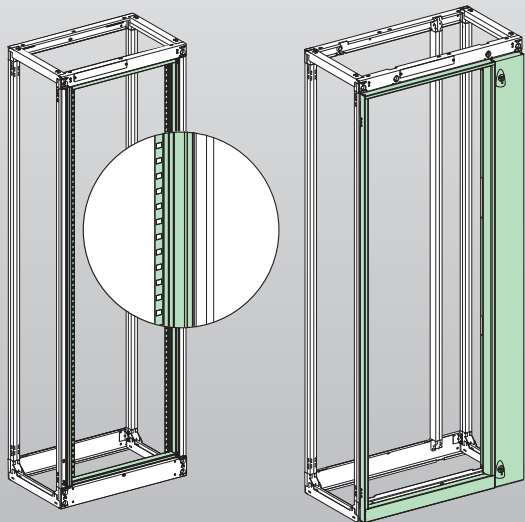
B

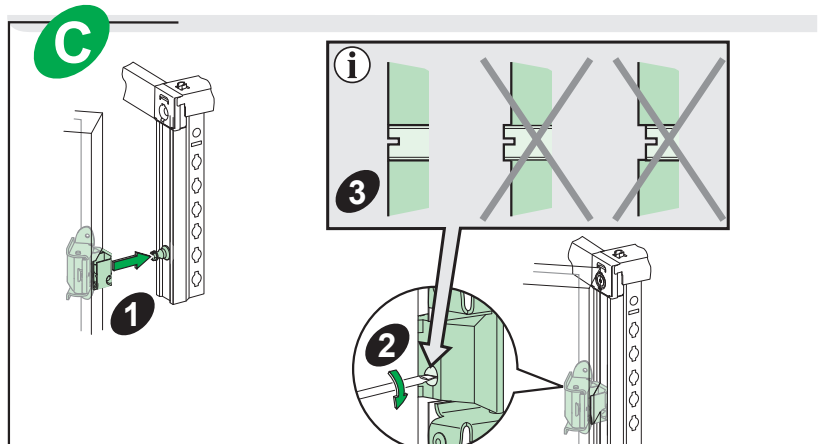
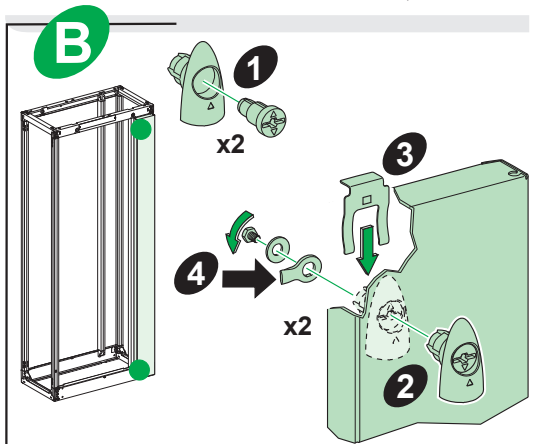
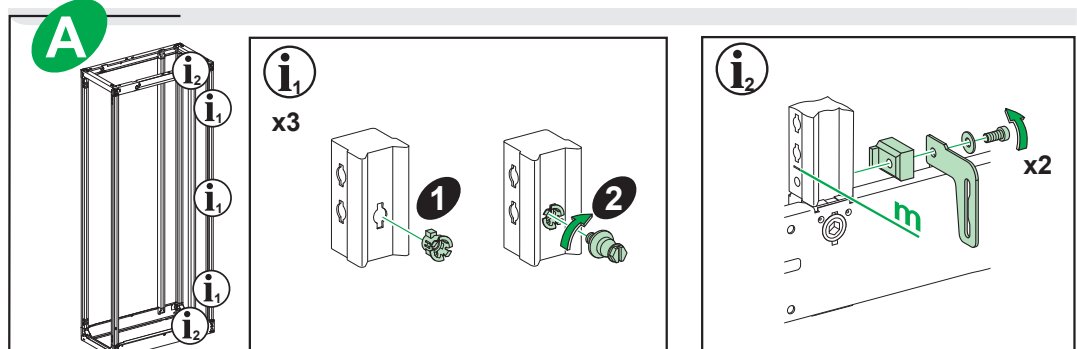
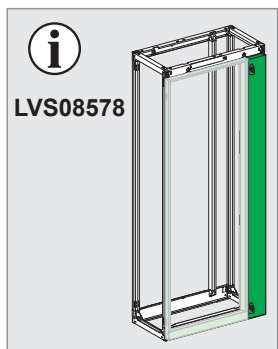
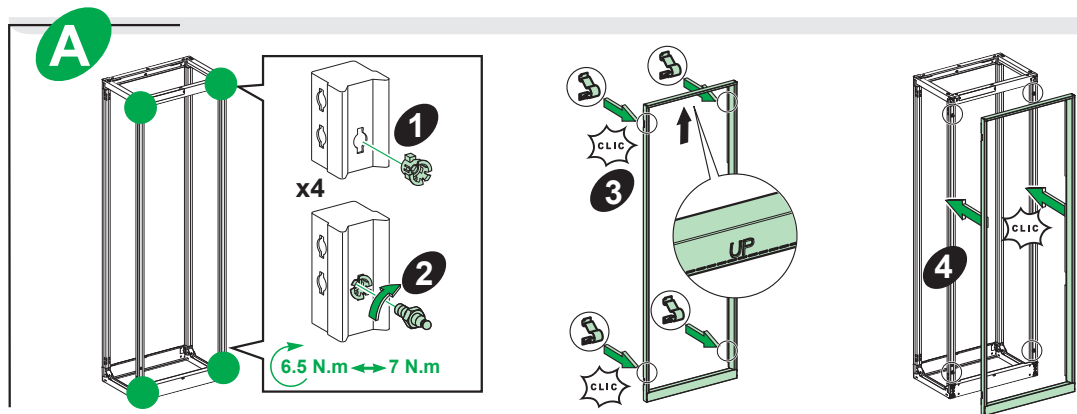
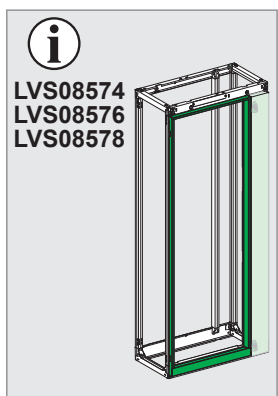
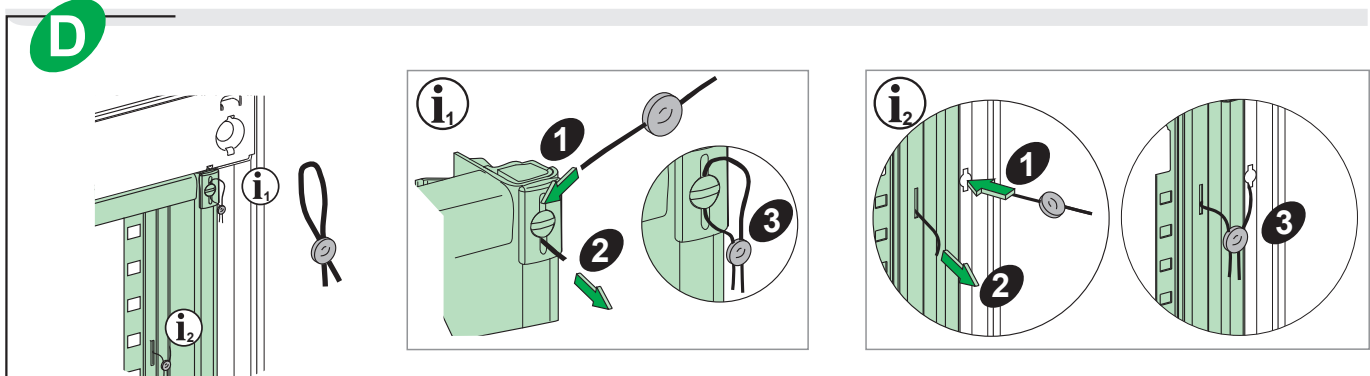
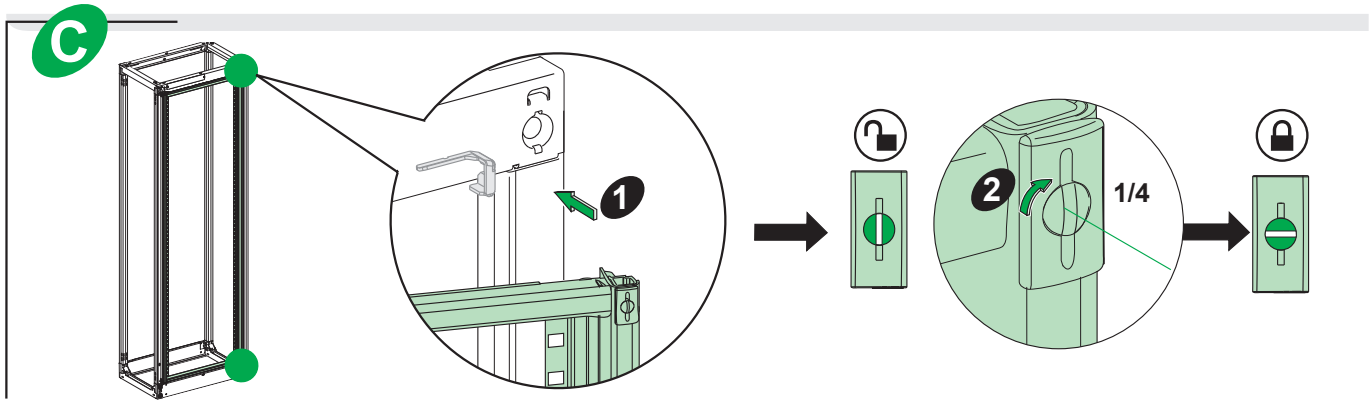


PrismaSet P



LVS08560 / LVS08562
 LVS08564 / LVS08566
 LVS08574 / LVS08576
 LVS08578

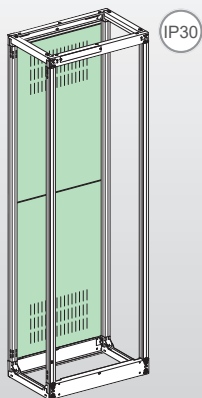




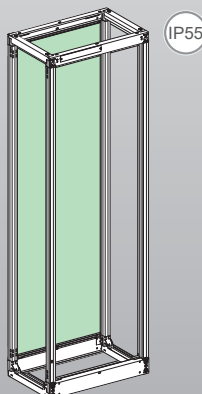
PrismaSeT P



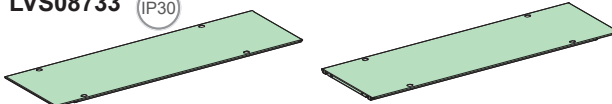
LVS08733
LVS08734
LVS08736
LVS08738



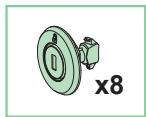
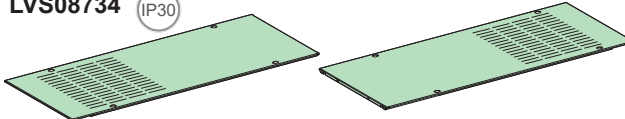
LVS08743
LVS08744
LVS08746
LVS08748



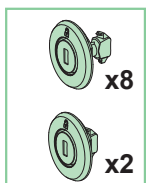
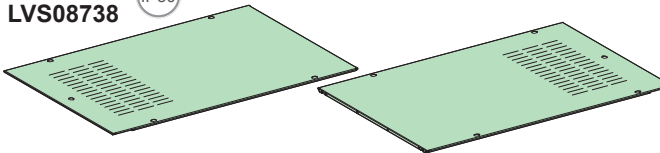
LVS08733 IP30



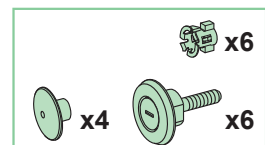
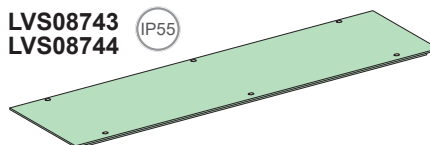
LVS08734 IP30



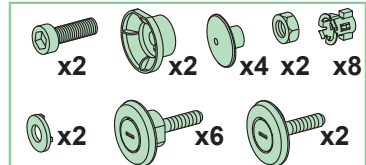
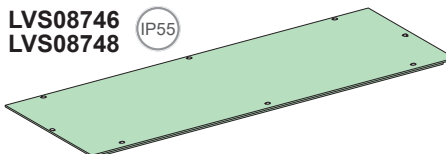
LVS08736 IP30
LVS08738



LVS08743 IP55
LVS08744



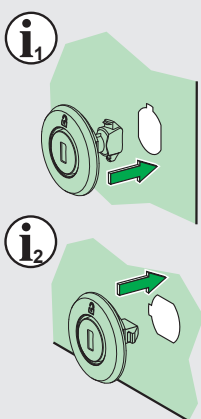
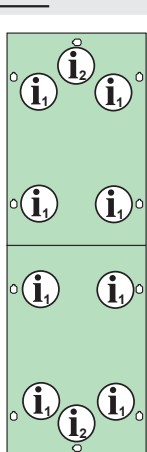
LVS08746 IP55
LVS08748



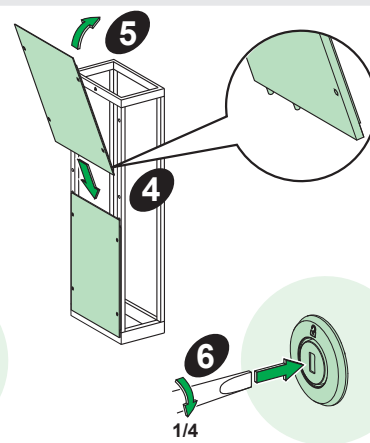
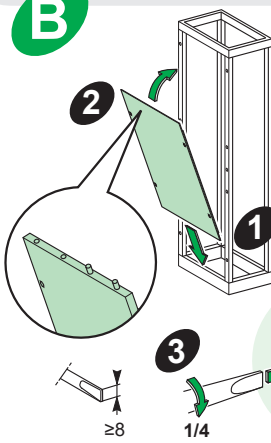
A

IP30

LVS08733
LVS08734
LVS08736
LVS08738



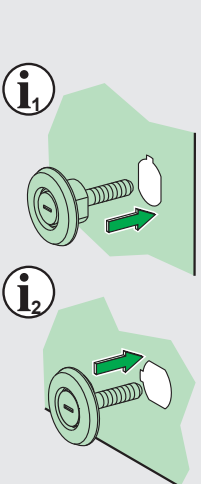
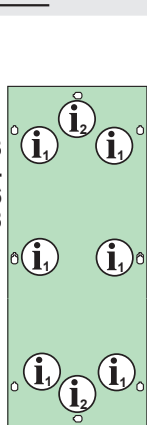
B



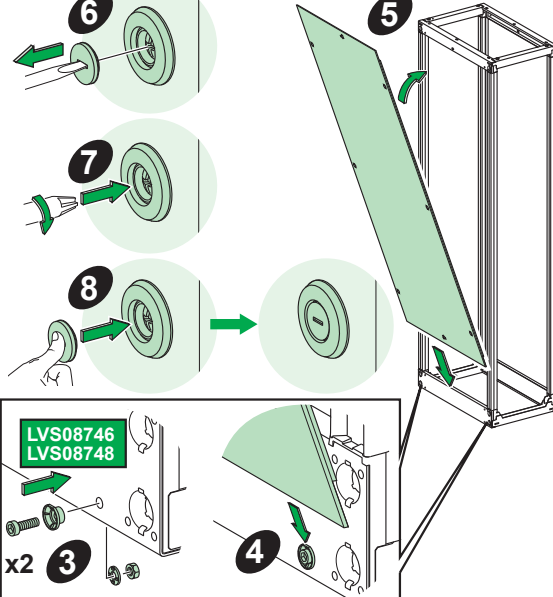
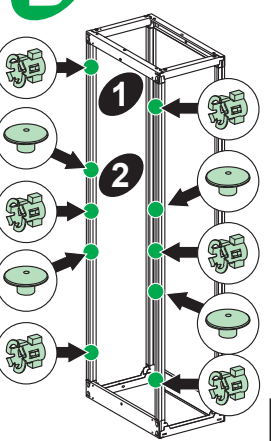
A'

IP55

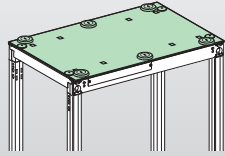
LVS08743
LVS08744
LVS08746
LVS08748



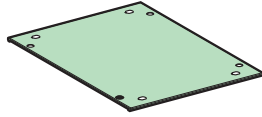
B'




PrismaSeT P




LVS08433 / LVS08434
LVS08436 / LVS08438
LVS08453 / LVS08454
LVS08456 / LVS08458
LVS08633 / LVS08634
LVS08636 / LVS08638
LVS08653 / LVS08654
LVS08656 / LVS08658



LVS08433
LVS08434
LVS08633
LVS08634




x4




x4

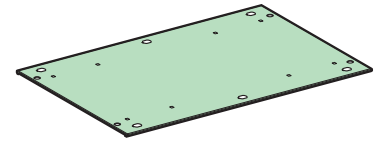
LVS08453
LVS08454
LVS08653
LVS08654




x4



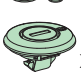
x4



LVS08436
LVS08438
LVS08636
LVS08638




x4




x6

LVS08456
LVS08458
LVS08656
LVS08658



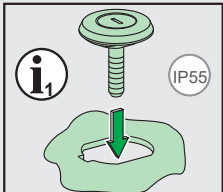
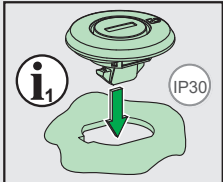
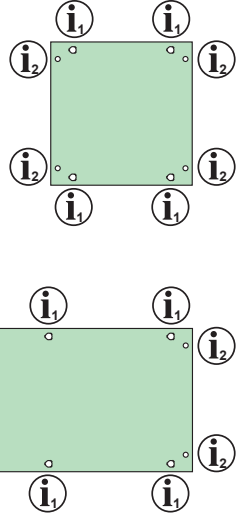
x4



x6

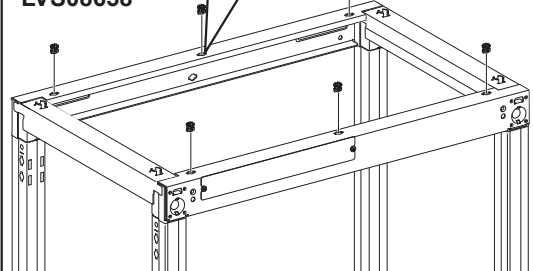
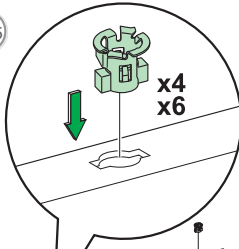
A

IP30
LVS08433
LVS08434
LVS08633
LVS08634
IP55
LVS08453
LVS08454
LVS08653
LVS08654
IP30
LVS08436
LVS08438
LVS08636
LVS08638
IP55
LVS08456
LVS08458
LVS08656
LVS08658

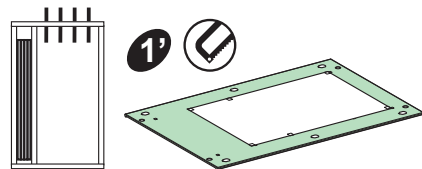
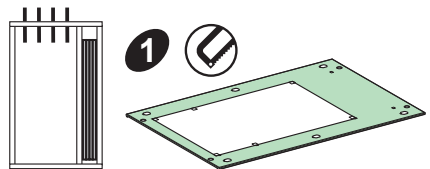


B

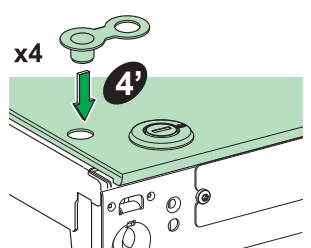
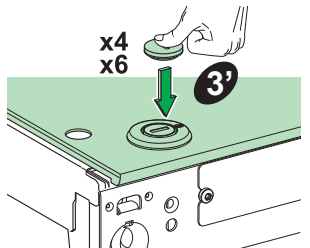
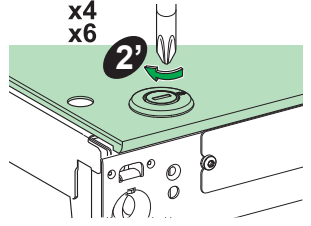
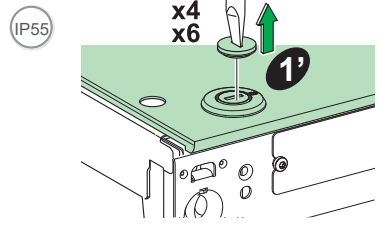
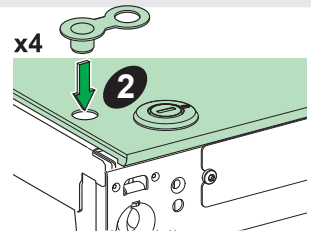
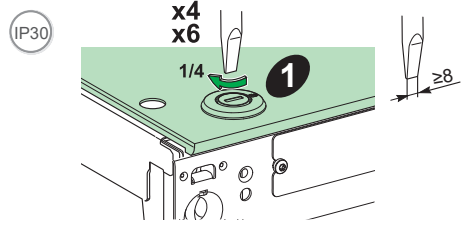
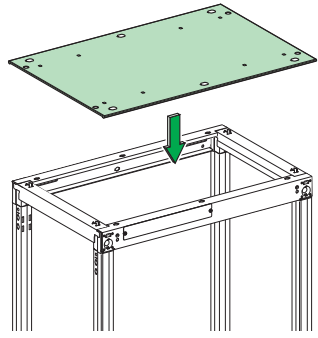
IP55
LVS08453
LVS08454
LVS08456
LVS08458
LVS08653
LVS08654
LVS08656
LVS08658



i



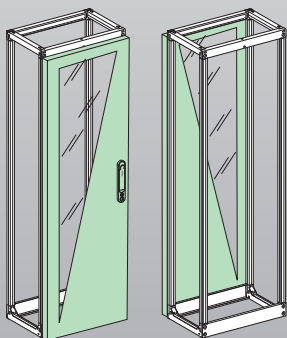
C



PrismaSeT P



LVS01224 / LVS01225
LVS08513 / LVS08514
LVS08516 / LVS08518
LVS08523 / LVS08524
LVS08526 / LVS08528
LVS08534 / LVS08536
LVS08538 / LVS08544
LVS08546 / LVS08548



LVS01224	LVS01225	LVS08513 LVS08514 LVS08516 LVS08534 LVS08536	LVS08523 LVS08524 LVS08526 LVS08544 LVS08546	LVS08518 LVS08538	LVS08528 LVS08548
IP30 IK10 x2 x2 x2 x2 x4 x4 x7 x3 x3	IP30 IK10 x2 x2 x2 x2 x4 x4 x7 x4 x7 x3 x3	IP30 IK08 x2 x2 x2 x2 x2 x5 x2 x5 x3 x3	IK10 IP55 x2 x2 x2 x2 x4 x4 x7 x3 x3	IP30 IK08 x2 x2 x2 x2 x4 x2 x2 x5 x5 x3	IP55 IK10 x2 x2 x2 x2 x4 x2 x7 x4 x3 x3

A

IP30 IP55

750 mm

250 mm

750 mm

1 x3 2

B

IP30 x2 IP55 x4

1 2

C

IP55

LVS08523
LVS08524
LVS08526
LVS08544
LVS08546

IP55

LVS08528
LVS08548

x3

i1 i2

i1 i2

D

1 2

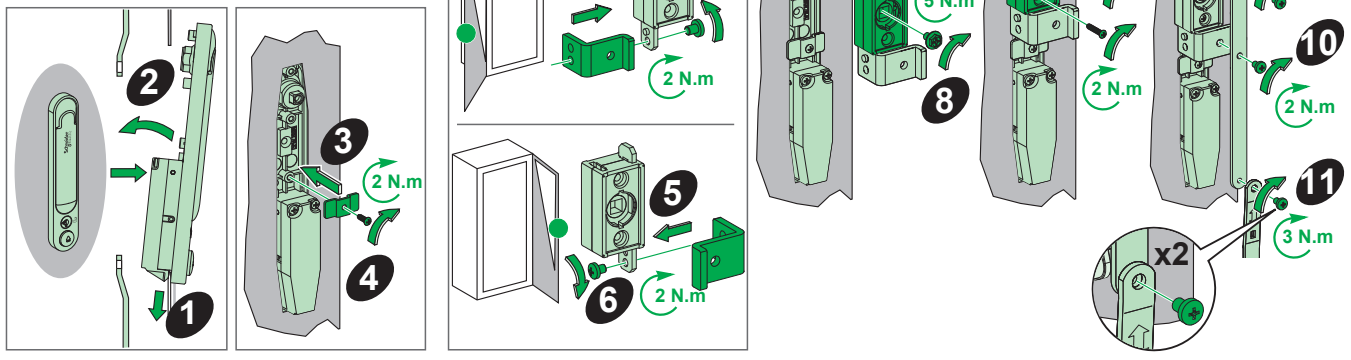
i

3

2

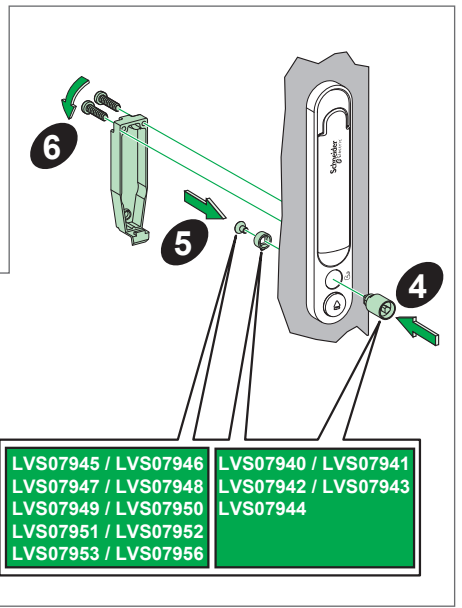
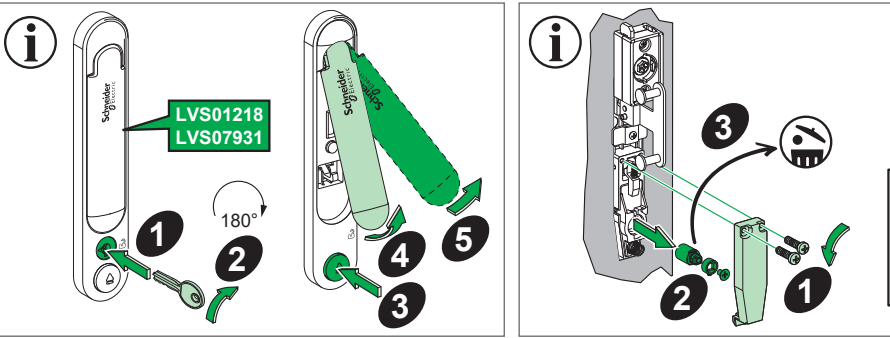
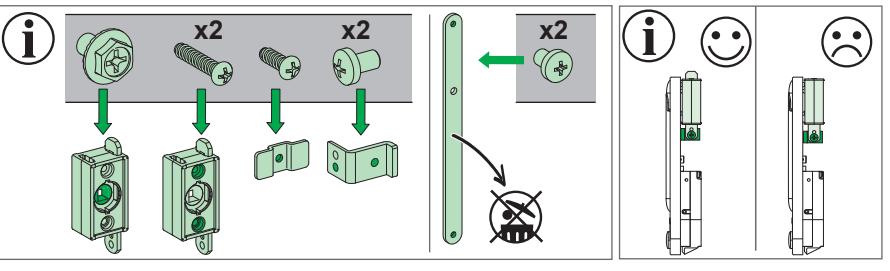
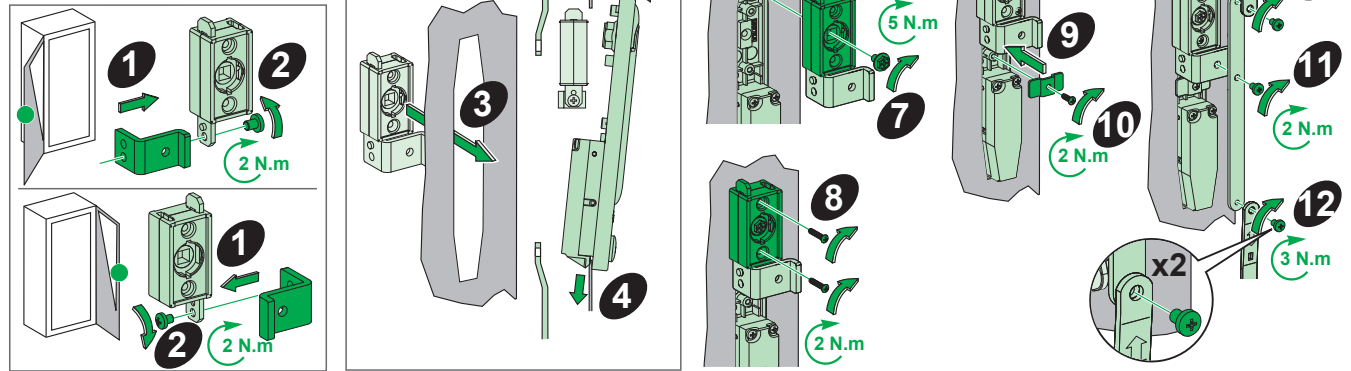
E

IP30



E'

IP55



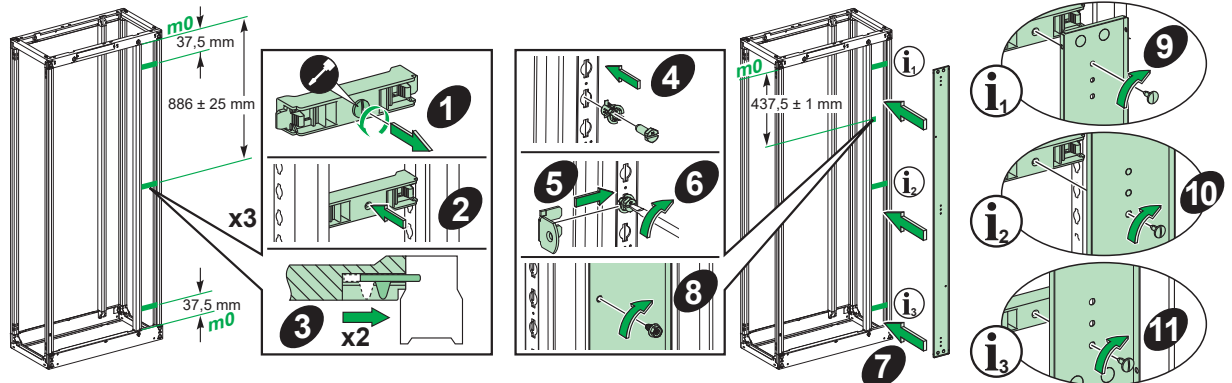
F

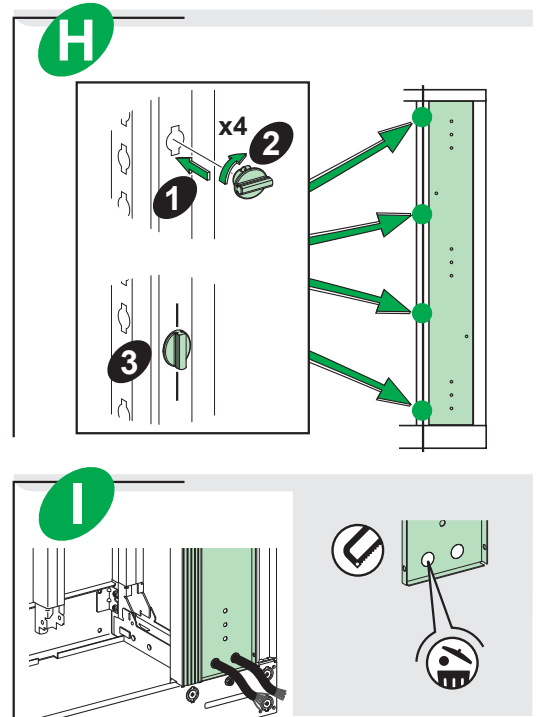
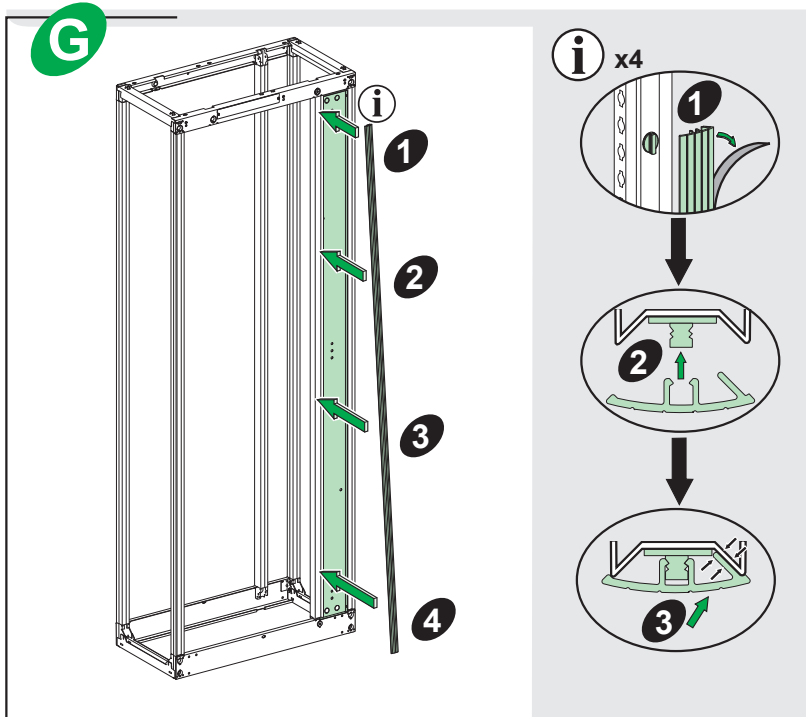
IP30

LVS01225
LVS08518
LVS08538

IP55

LVS08528
LVS08548

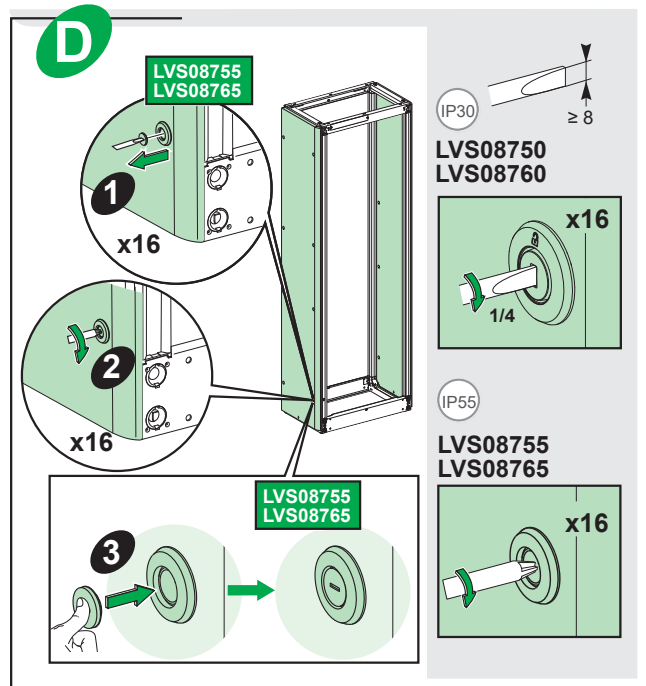
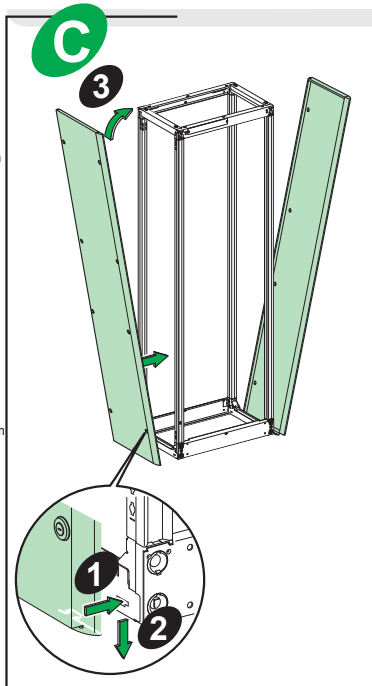
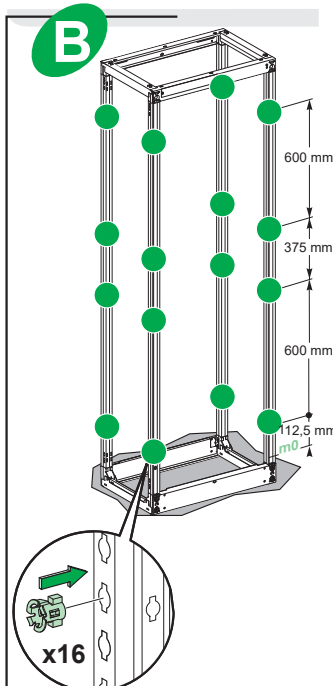
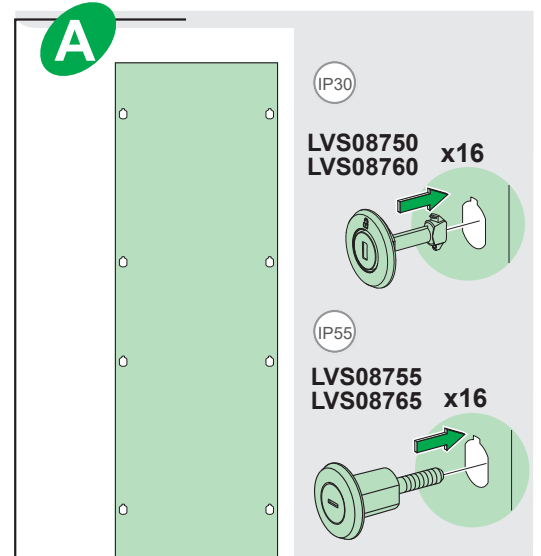
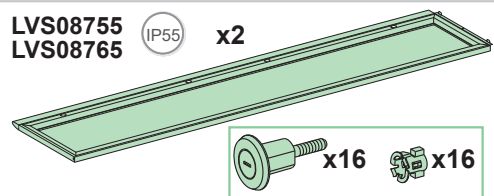
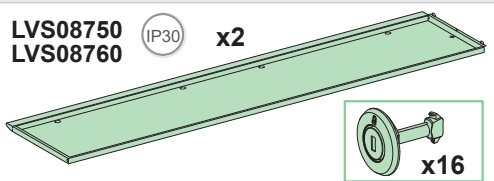
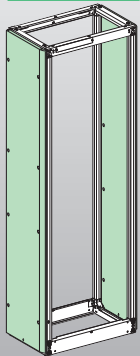




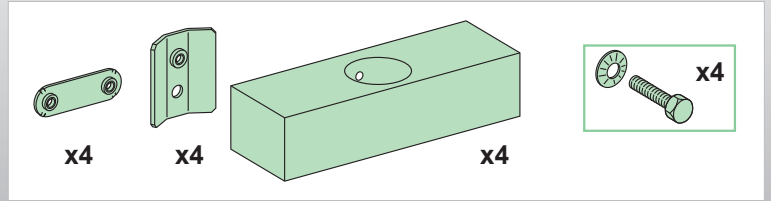
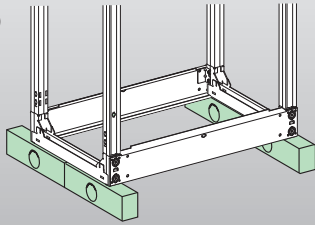
PrismaSet P



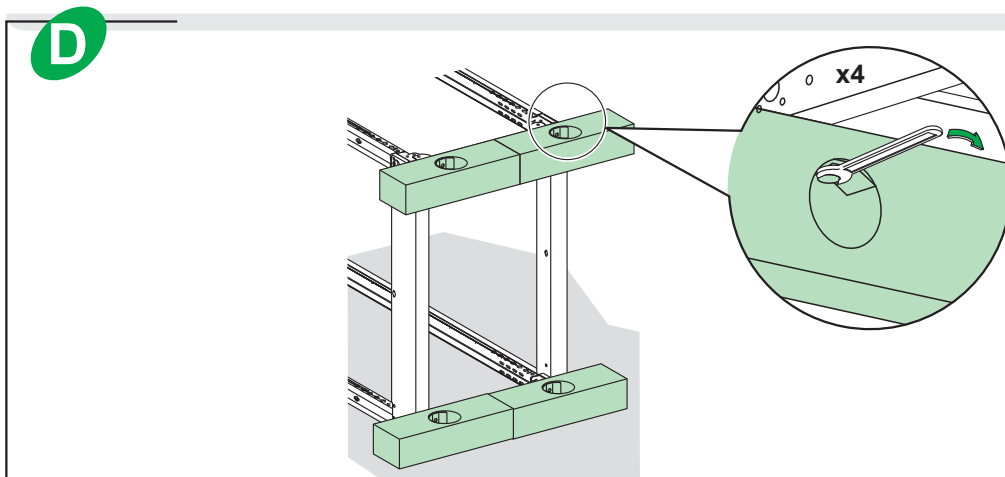
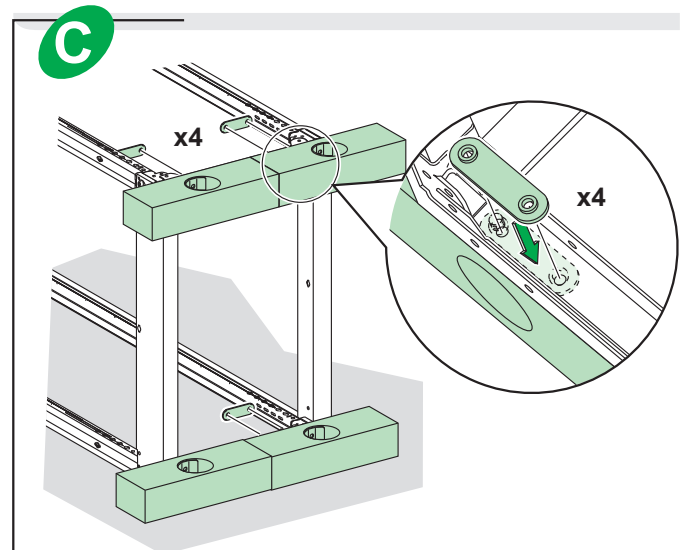
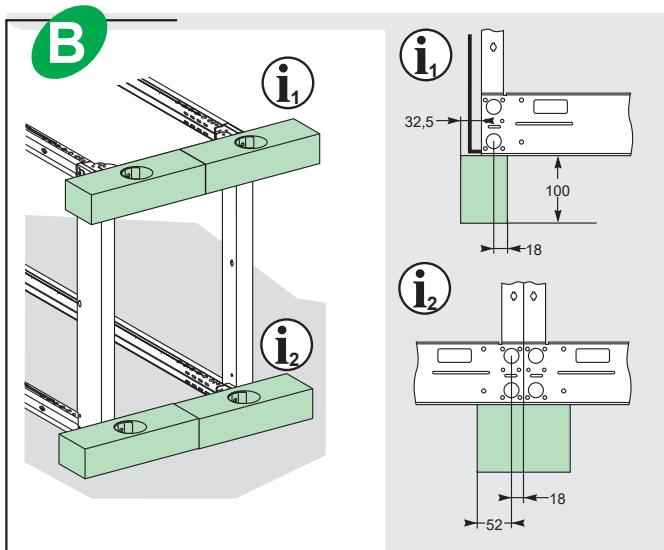
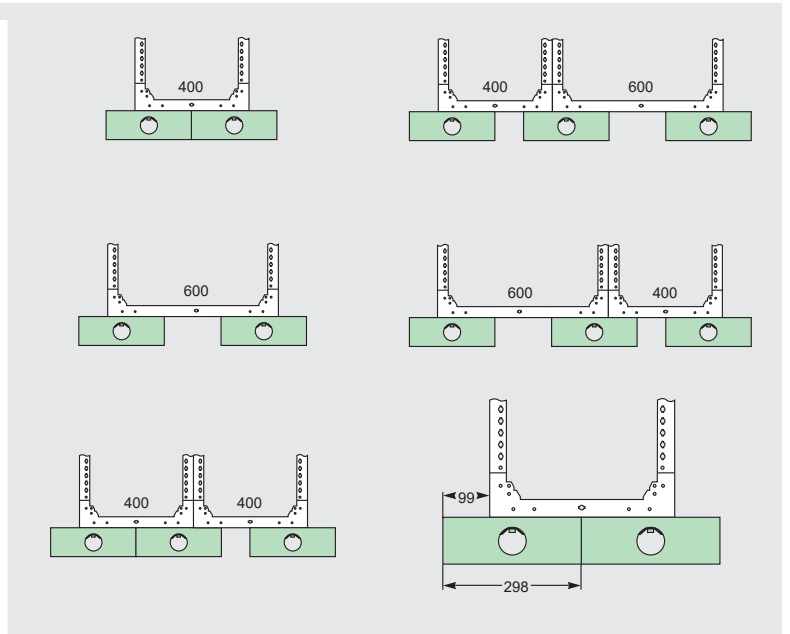
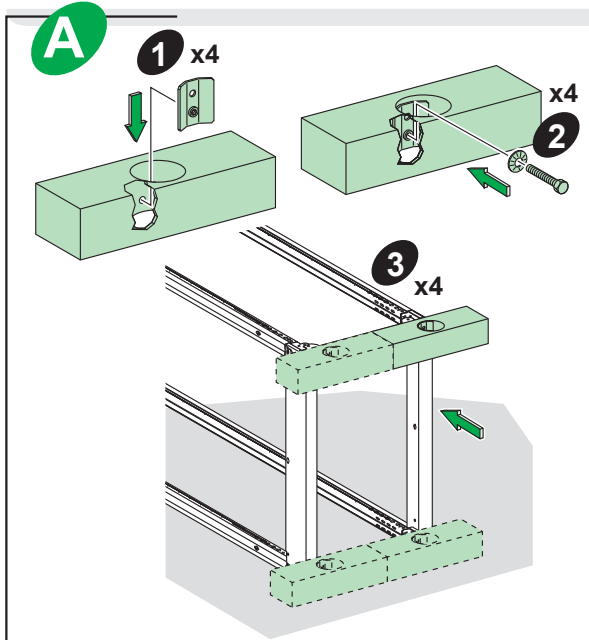
LVS08750 / LVS08755
LVS08760 / LVS08765

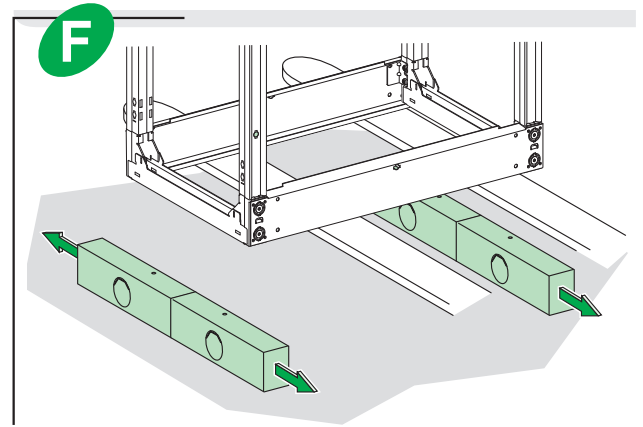
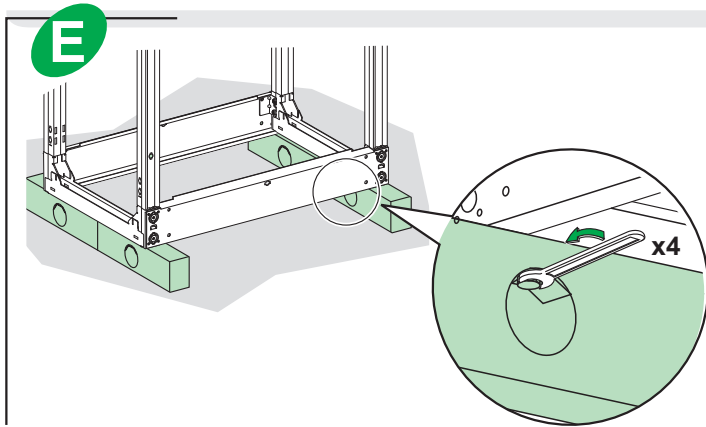


PrismaSet P



LVS08701

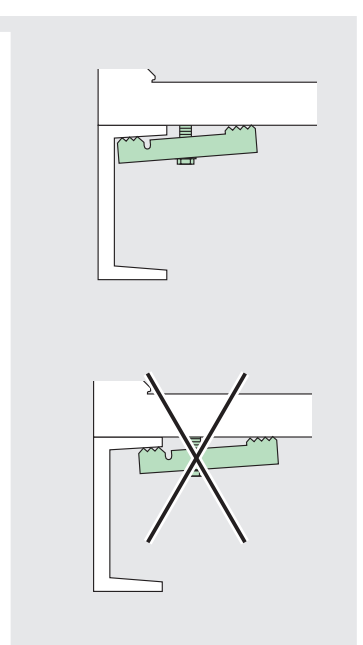
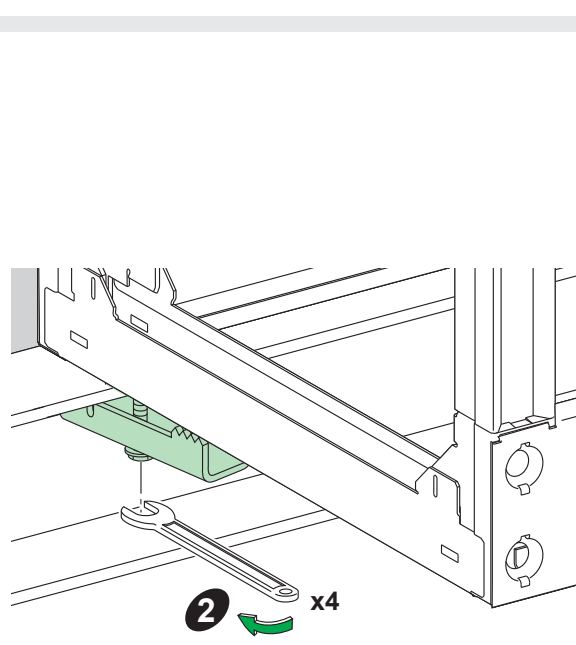
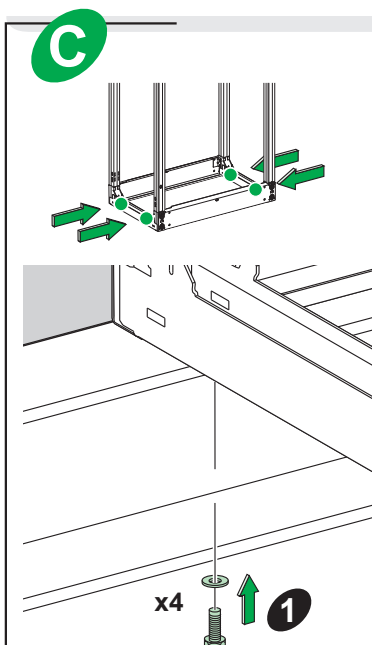
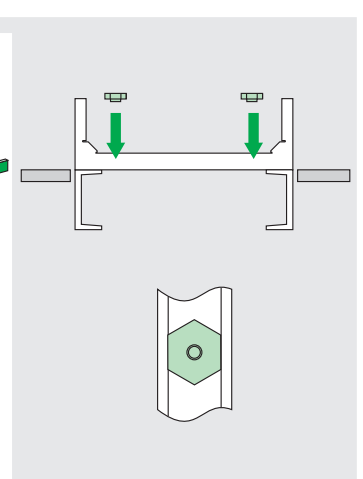
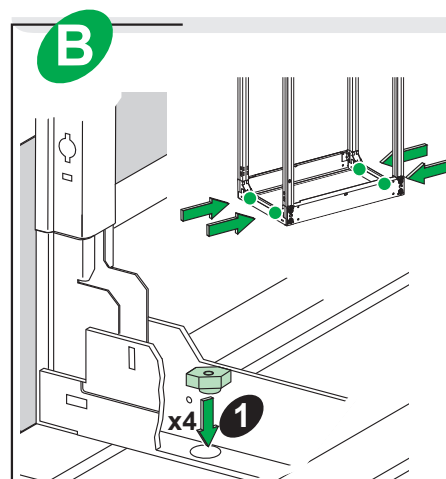
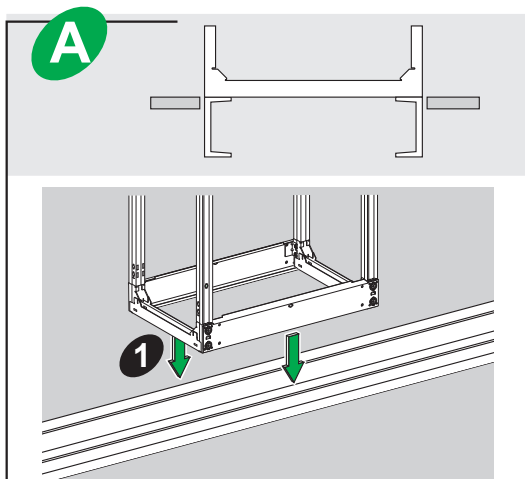
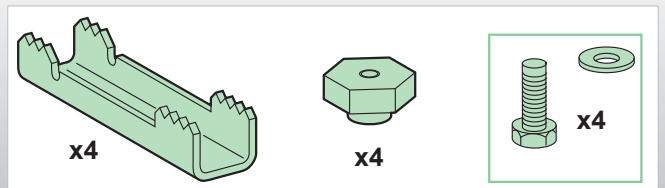
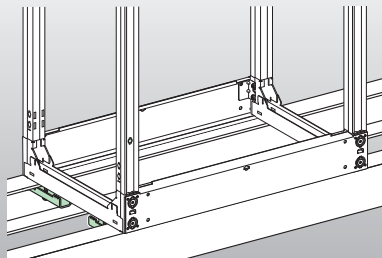




PrismaSeT P



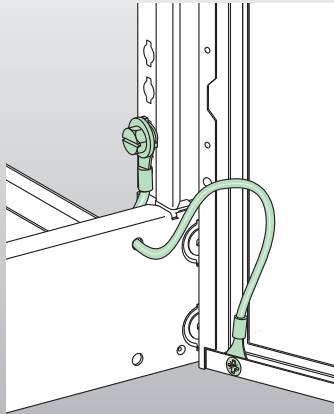
LVS08703



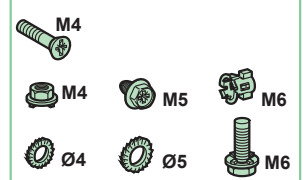
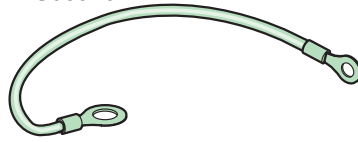
PrismaSet P



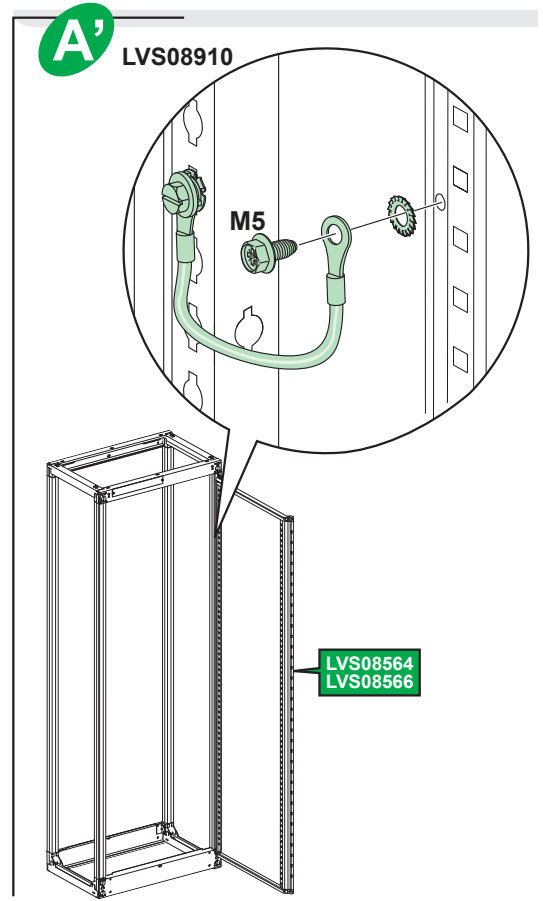
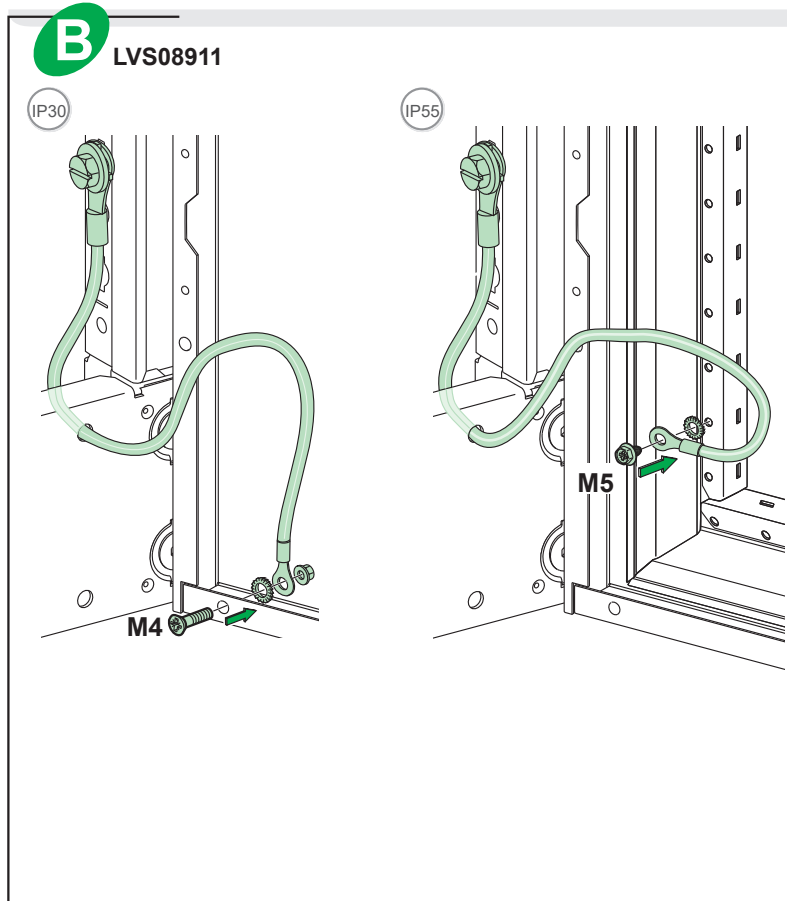
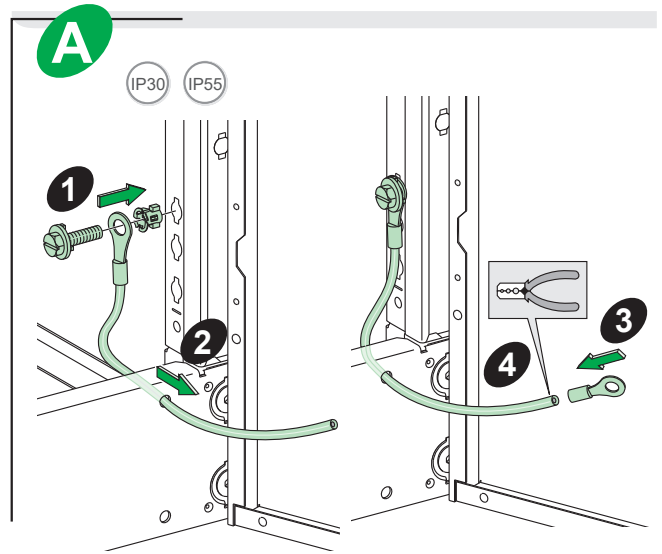
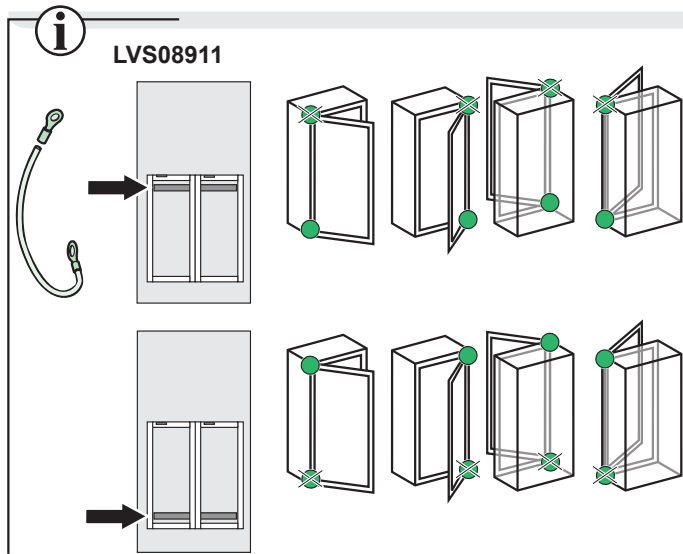
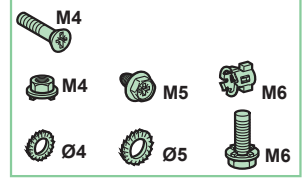
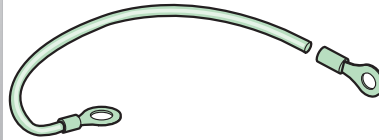
LVS08910
LVS08911



LVS08910



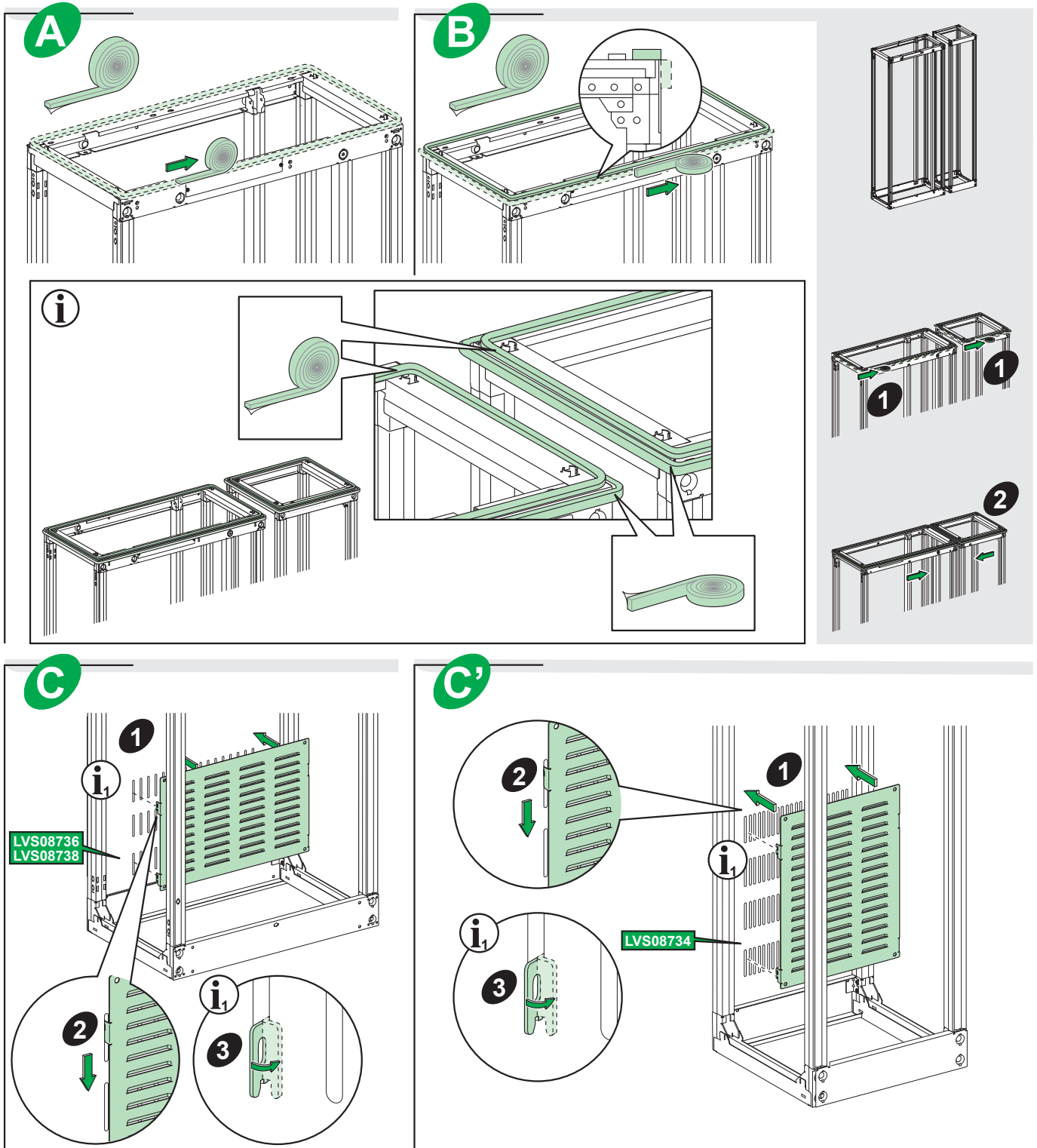
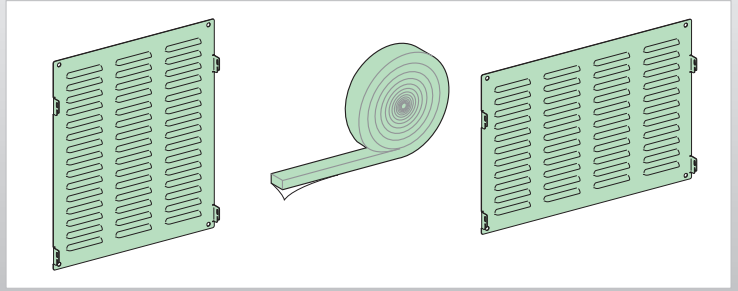
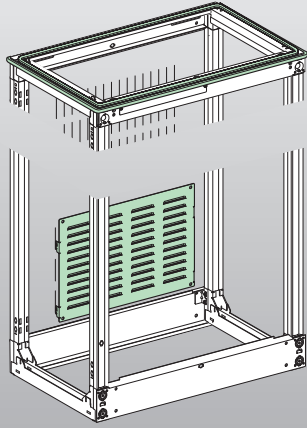
LVS08911



PrismaSeT P



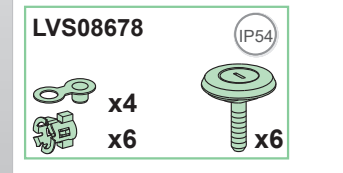
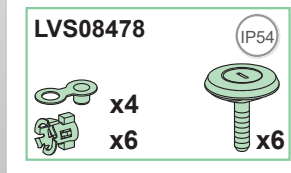
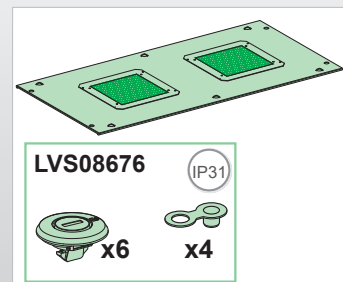
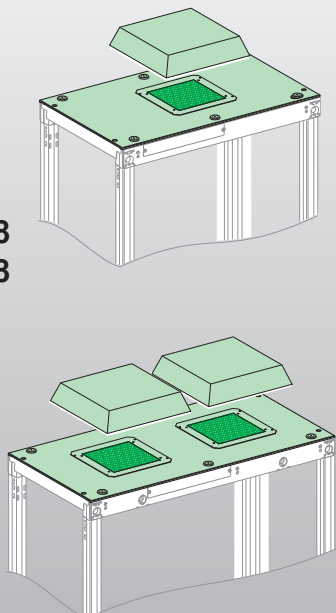
LVS08711



PrismaSeT P



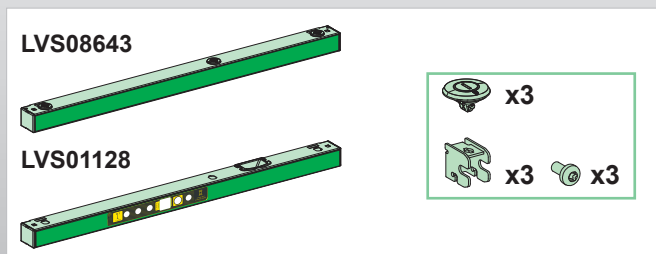
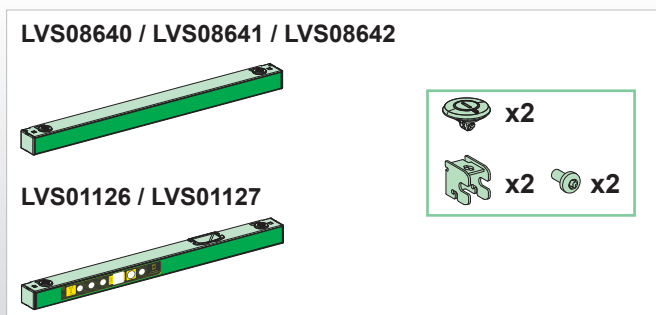
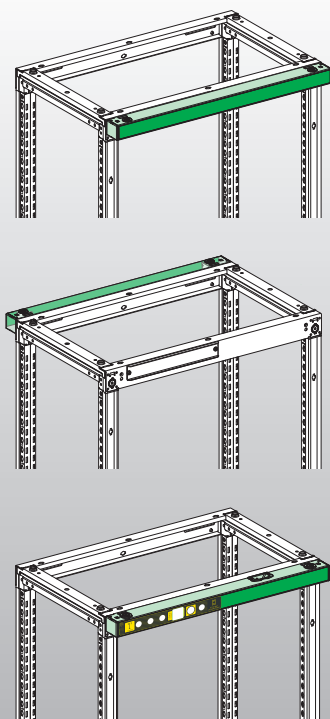
LVS08476 / LVS08478
 LVS08676 / LVS08678
 NSYCVF575M230MB
 NSYCAC228RMB



PrismaSeT P



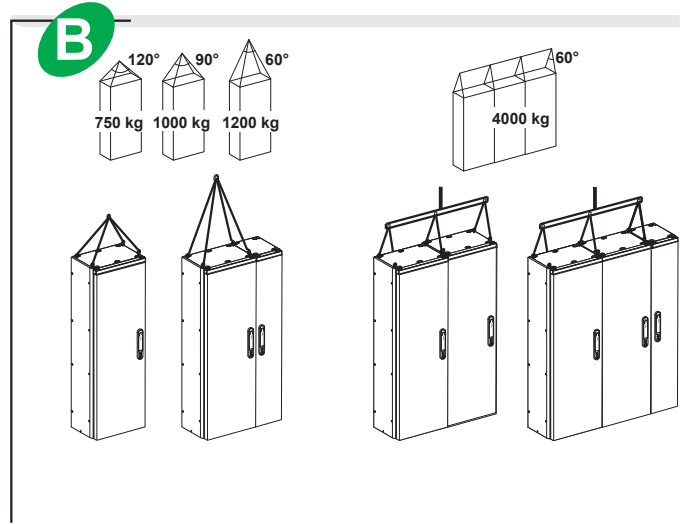
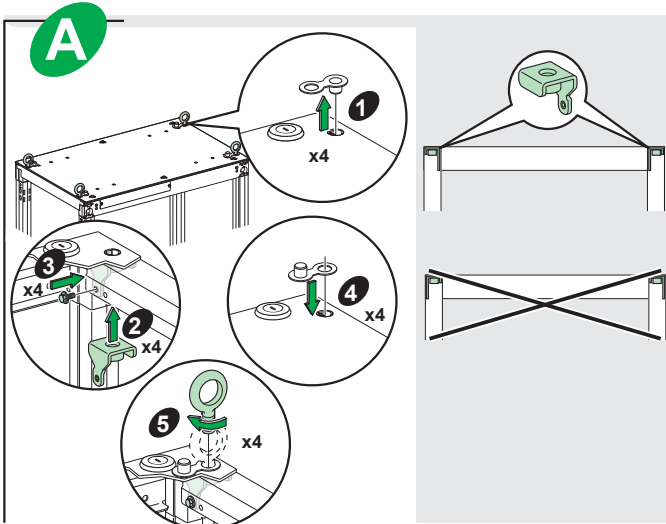
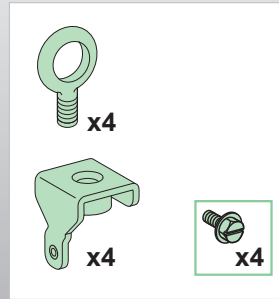
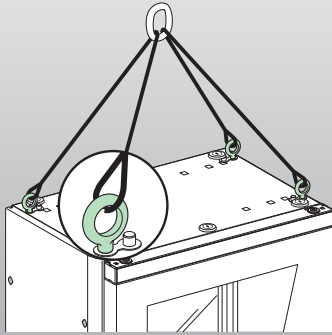
LVS01126 / LVS01127
 LVS01128 / LVS08640
 LVS08641 / LVS08642
 LVS08643



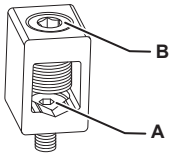
PrismaSeT P



LVS08700



Lineryg BS

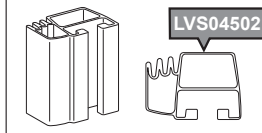


	A		B		A → $\vec{N.m}$	B → $\vec{N.m}$
LVS07051	15 x 5	M6	16-70 mm ²	M12	10	14
LVS07052	20 x 5	M10	16-185 mm ²	M20	50	36
LVS07053	32 x 5	M12	70-300 mm ²	M24	60	50

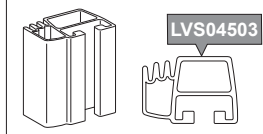
Linergy LGY



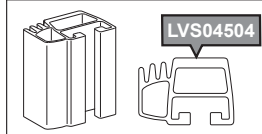
630 A



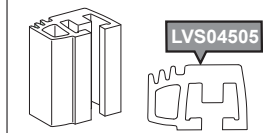
800 A



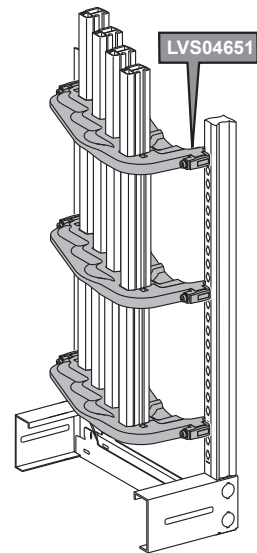
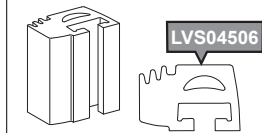
1000 A



1250 A



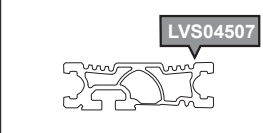
1600 A



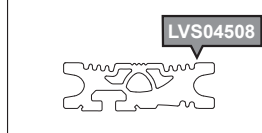
Linergy LGYE



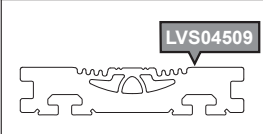
2000 A



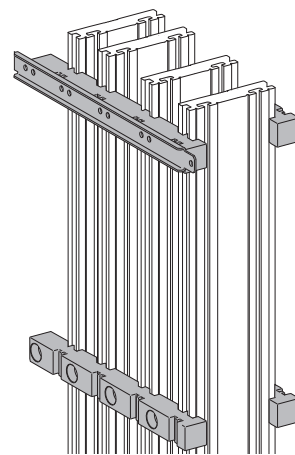
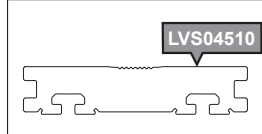
2500 A



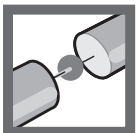
3200 A



4000 A



Linergy FC



3P LVS04403

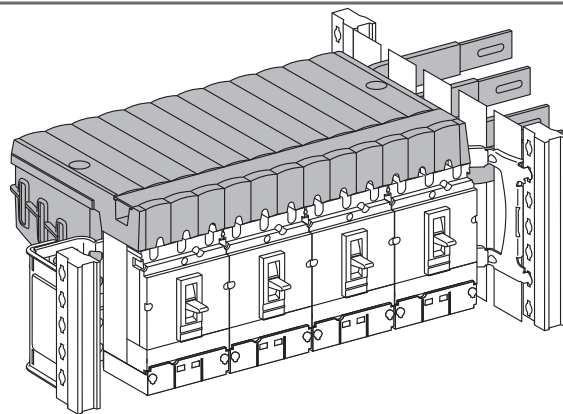
4P LVS04404

3P LVS04405

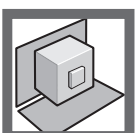
4P LVS04406

3P LVS04407

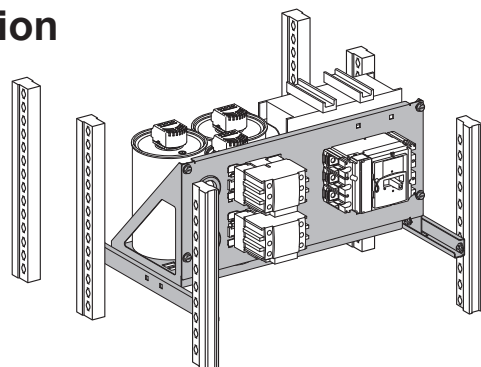
4P LVS04408



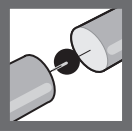
PrismaSeT P / Power factor correction



LVS03979



PrismaSeT P / Canalis



1600 A 3P LVS04715

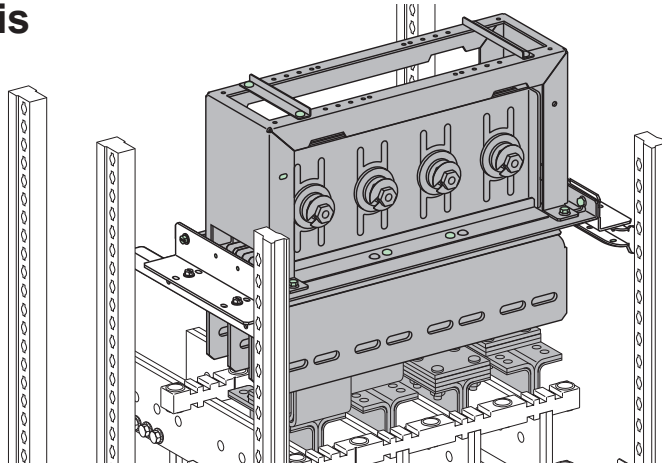
1600 A 4P LVS04716

2500 A 3P LVS04725

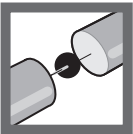
2500 A 3P LVS04726

3200 A 3P LVS04735

3200 A 3P LVS04736



Linergy FM

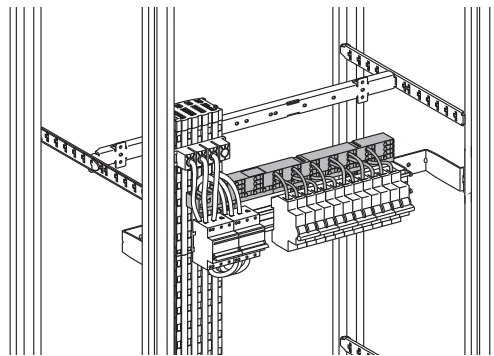


63 A LVS04008

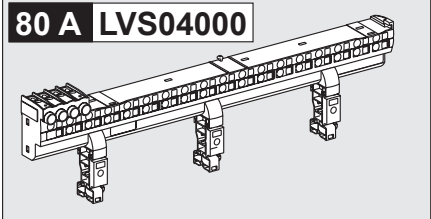
200 A LVS04012

200 A LVS04013

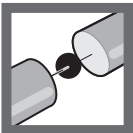
160 A LVS04018



80 A LVS04000

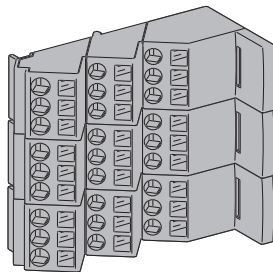


Linergy DP



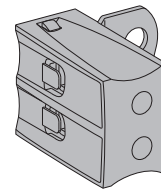
250 A LVS04033

250 A LVS04034



250 A LVS04155

250 A LVS04156



Linergy BW



125 A

LVS04103

LVS04104

LVS04107

LVS04108

160 A

LVS04111

LVS04116

LVS04121

LVS04126

250 A

LVS04112

LVS04117

LVS04122

LVS04127

400 A

LVS04113

LVS04118

LVS04123

LVS04128

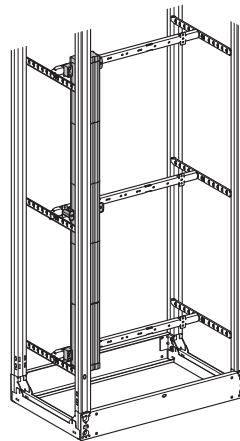
630 A

LVS04114

LVS04119

LVS04124

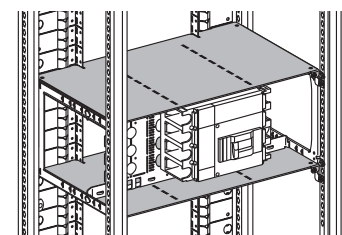
LVS04129



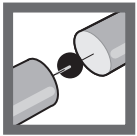
PrismaSeT P



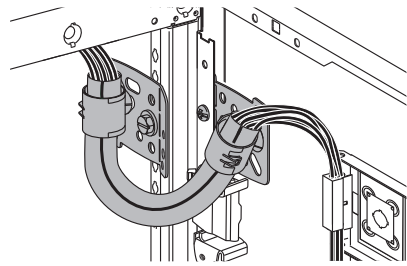
LVS04901



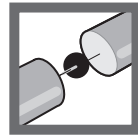
PrismaSeT P



LVS04235

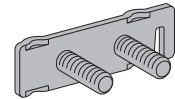
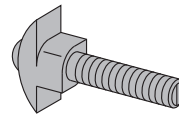


Linergy LGY / LGYE



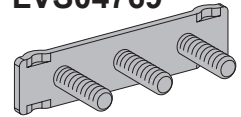
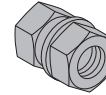
LVS04766

LVS04768

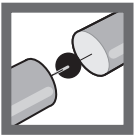


LVS04759

LVS04769

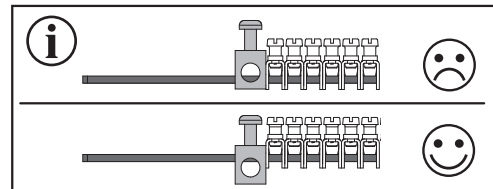
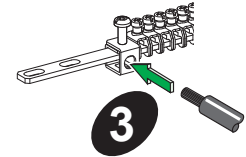
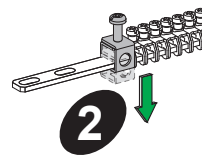
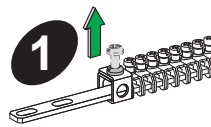
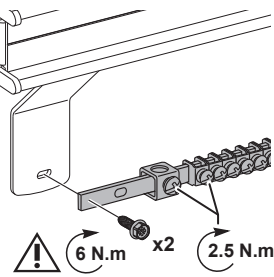


Linergy TB



LVS04200

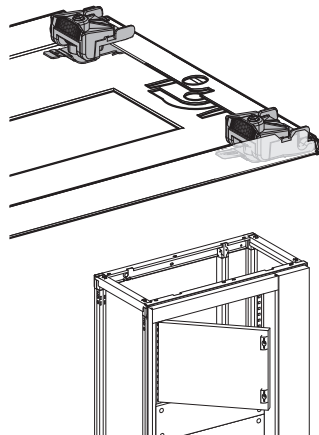
LVS04202



PrismaSeT P



LVS08585



PrismaSeT P



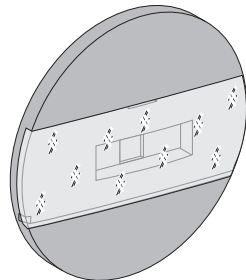
LVS07938



PrismaSeT P



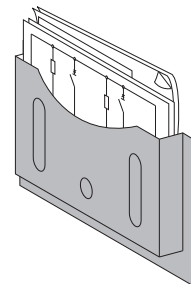
LVS08900



PrismaSeT P



LVS08963



Schneider Electric Industries SAS
35, rue Joseph Monier
92500 Rueil-Malmaison
France

www.se.com

En raison de l'évolution des normes et du matériel, les caractéristiques indiquées par le texte et les images de ce document ne nous engageant qu'après confirmation par nos services.

As standards, specifications and designs change from time to time, please ask for confirmation of the information given in this publication.

Publication : Schneider Electric
Réalisation :
Impression :
page dimension : 210 x 297 mm



Ce document a été imprimé sur du papier écologique.

This document has been printed on ecological paper.

Schneider Electric Limited
Stafford Park 5
Telford, TF3 3BL
United Kingdom
www.se.com/uk

UK
CA