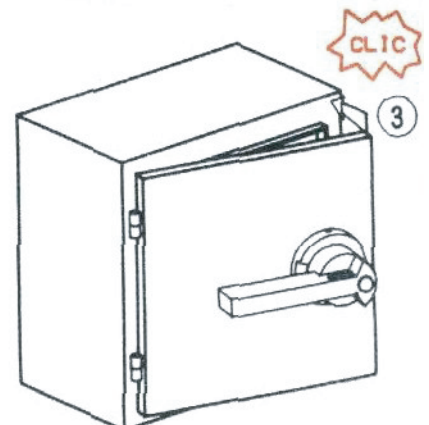
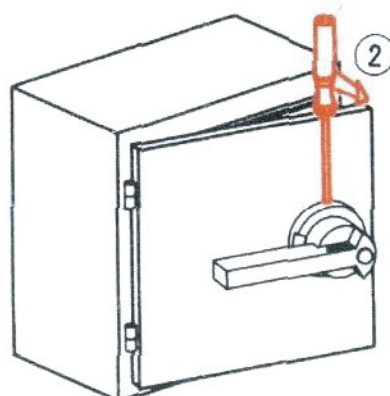
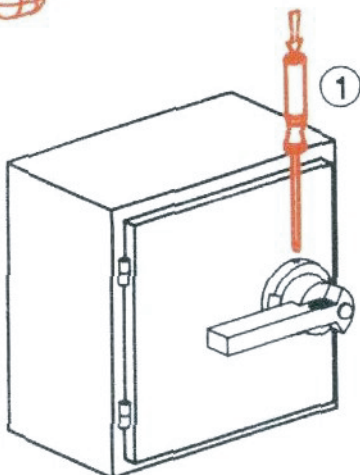
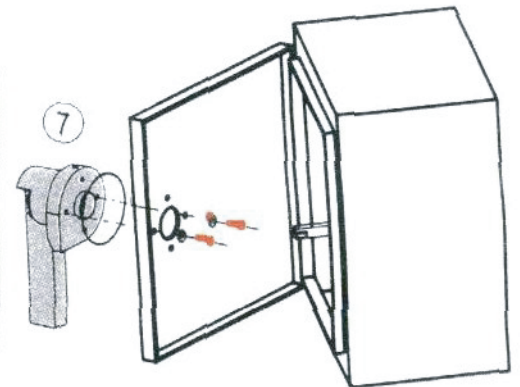
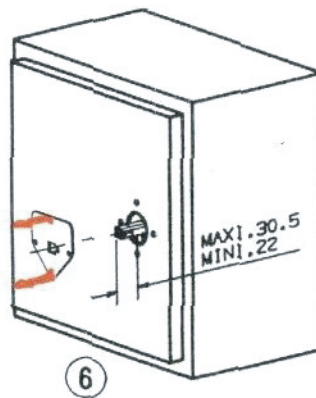
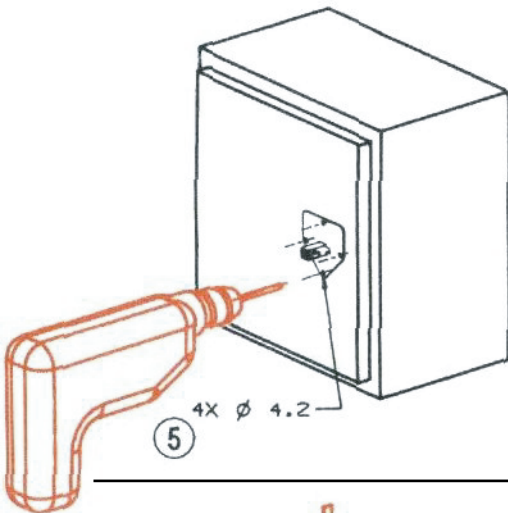
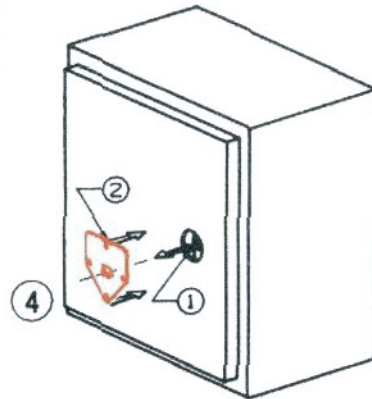
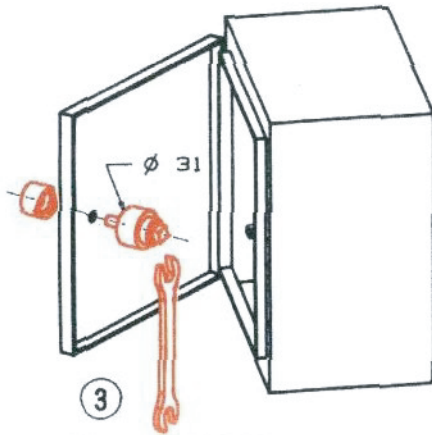
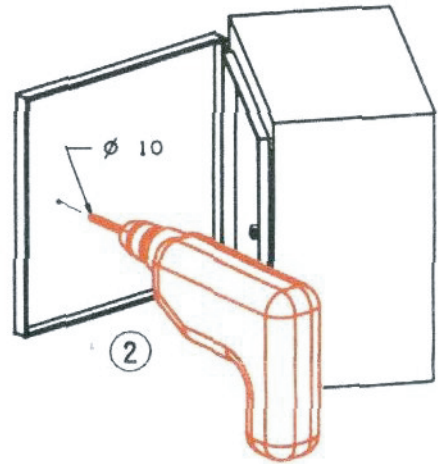
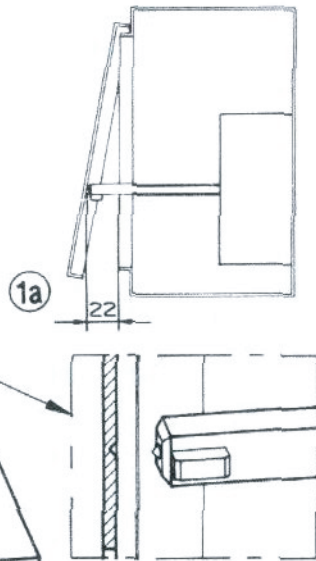
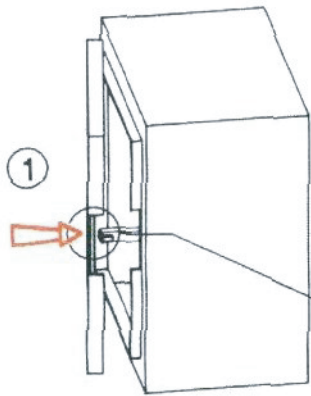


# GS1 32...315 A



RECTO-VERSO / 5 blanc offset 100g/m² / 1 Noire pantone black C -Rouge pantone 485U / F 210x297 / P 105x74,25 / Imp. - HANSI