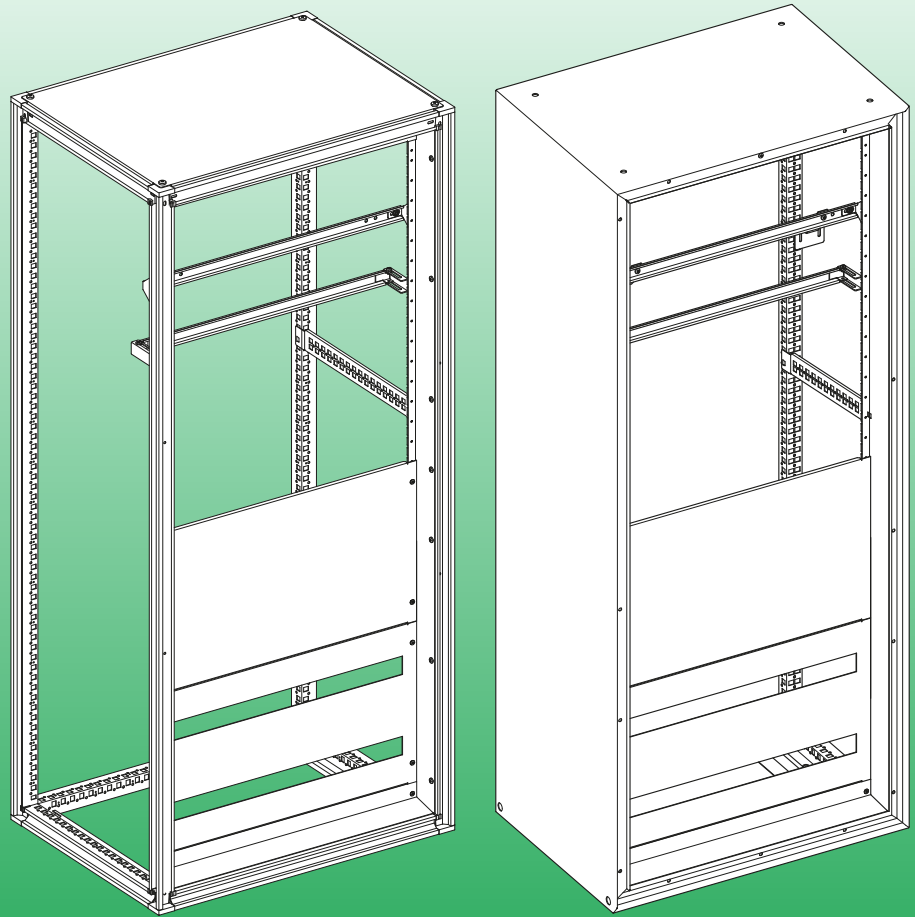

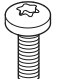
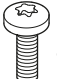

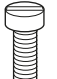


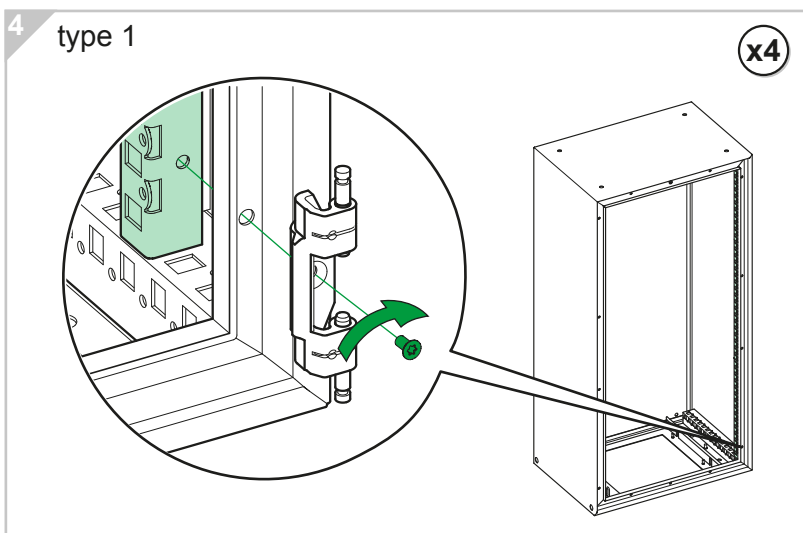
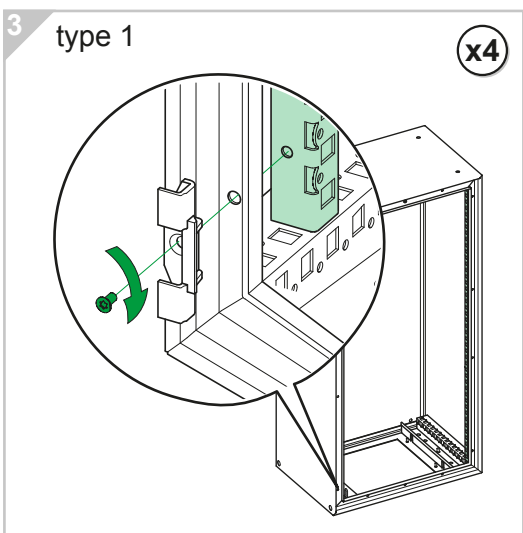
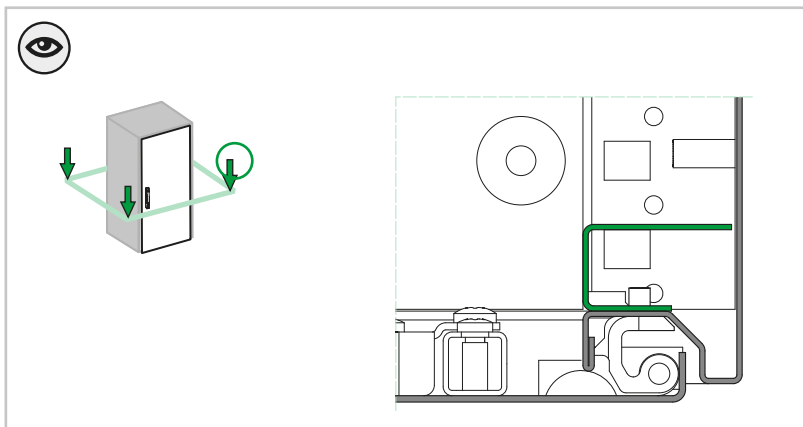
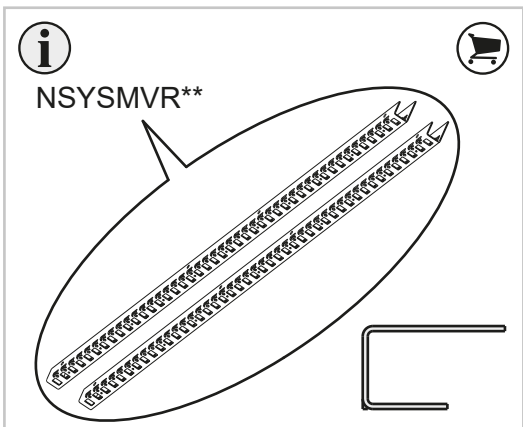
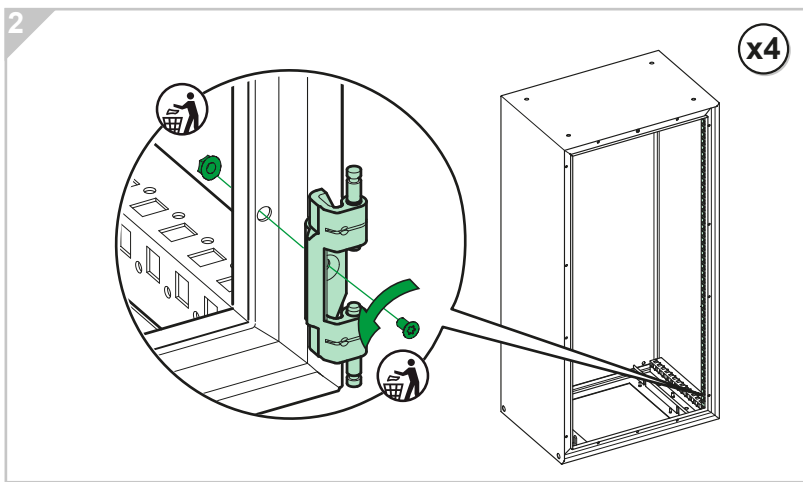
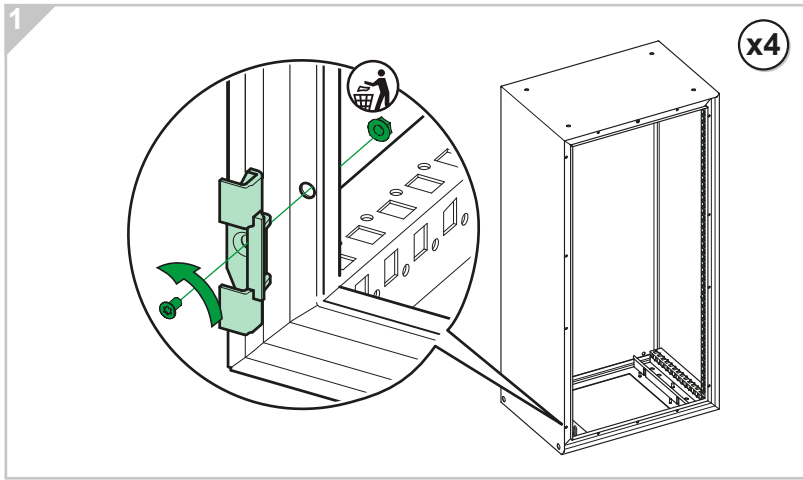
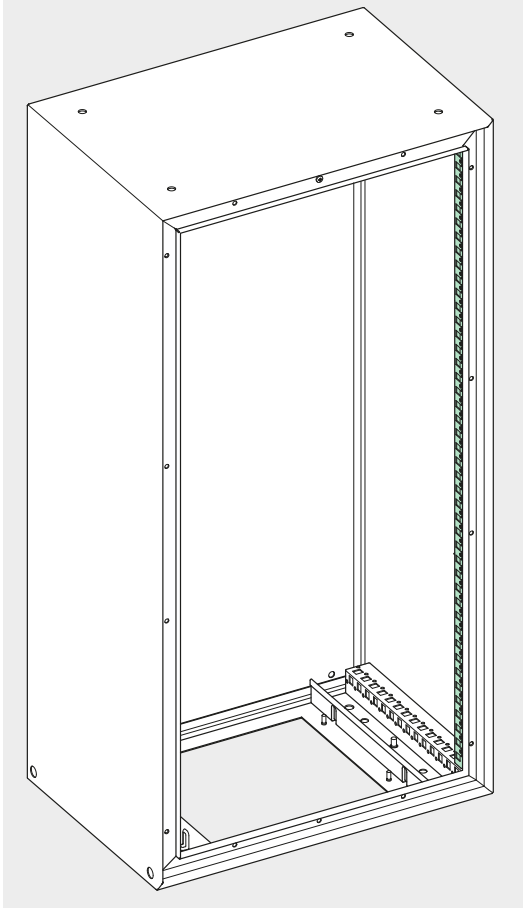


Modular Distribution SF/SM
Distribution Modulaire SF/SM
Distribución Modular SF/SM

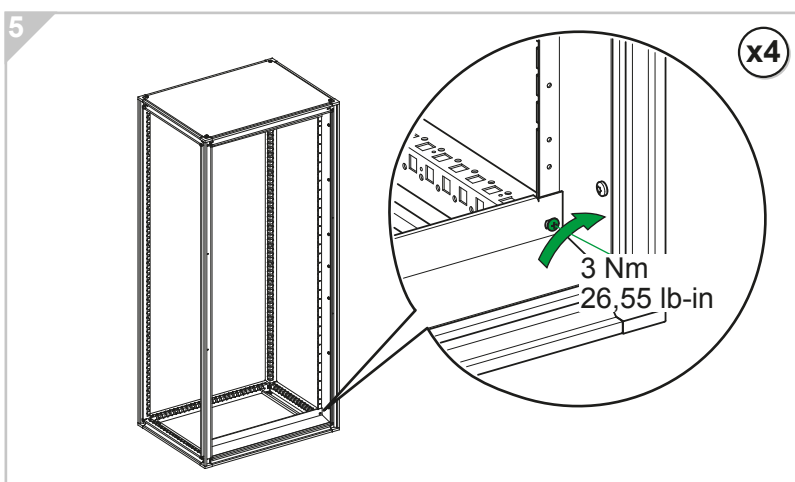
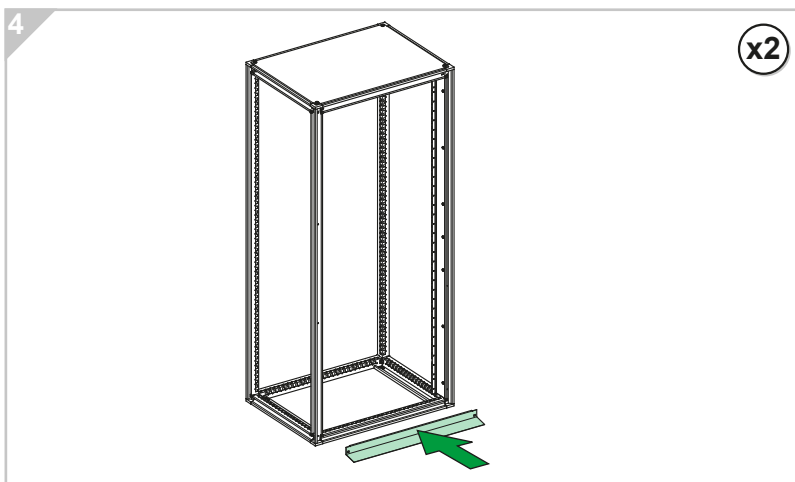
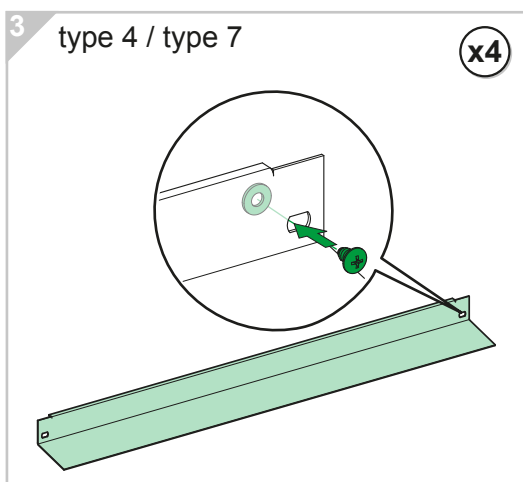
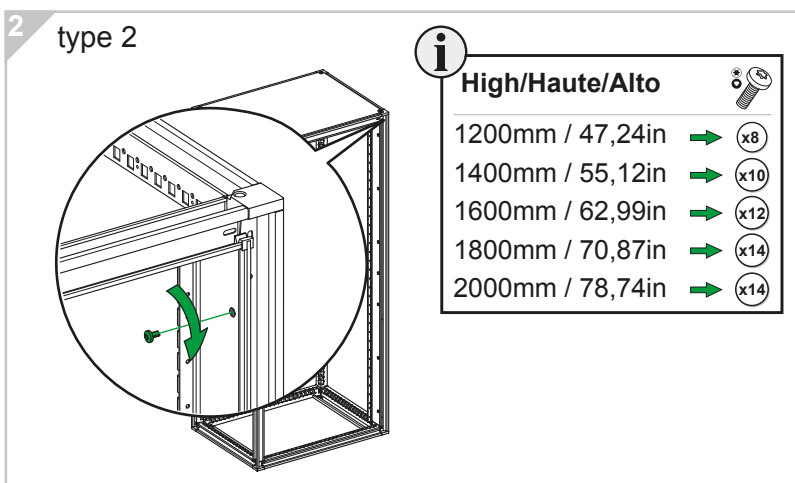
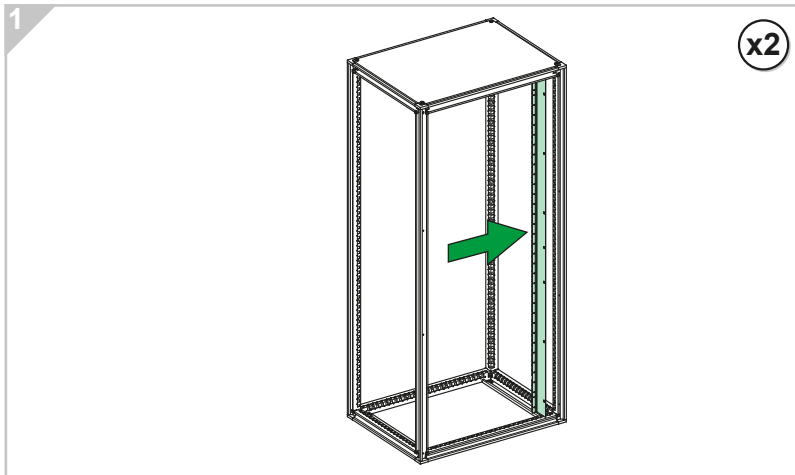
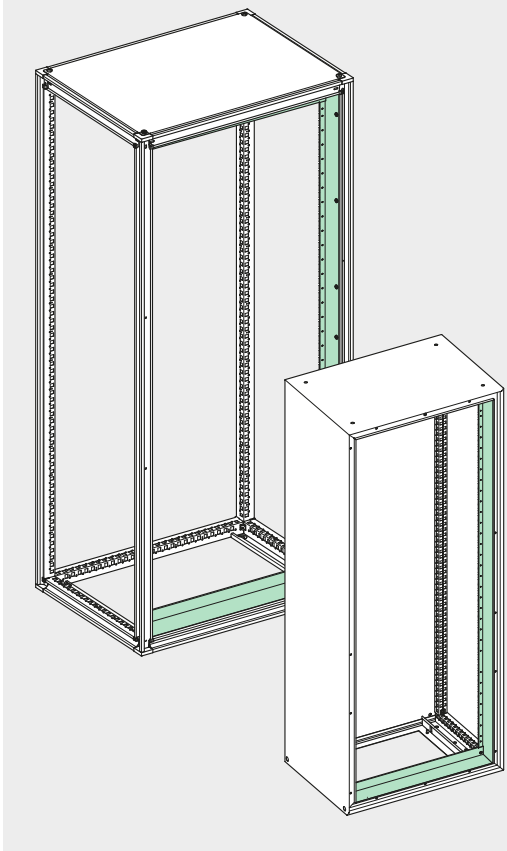


 type 1 ● M6 / T30 3 Nm 26,55 lb-in	 type 2 ● M6 / T30 3 Nm 26,55 lb-in	 type 3 ● M6 / T30 3 Nm 26,55 lb-in	 type 4 M 5,5 3 Nm 26,55 lb-in	 type 5 M6 3 Nm 26,55 lb-in
 type 6 M6 3 Nm 26,55 lb-in	 type 7 10x4,5			

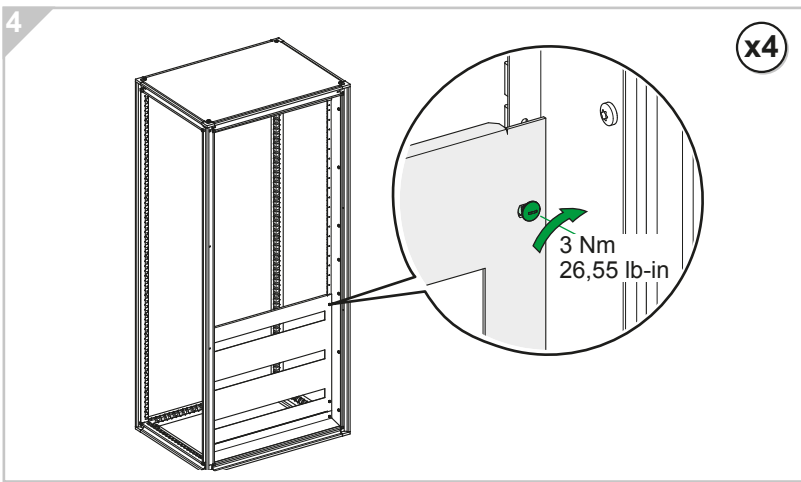
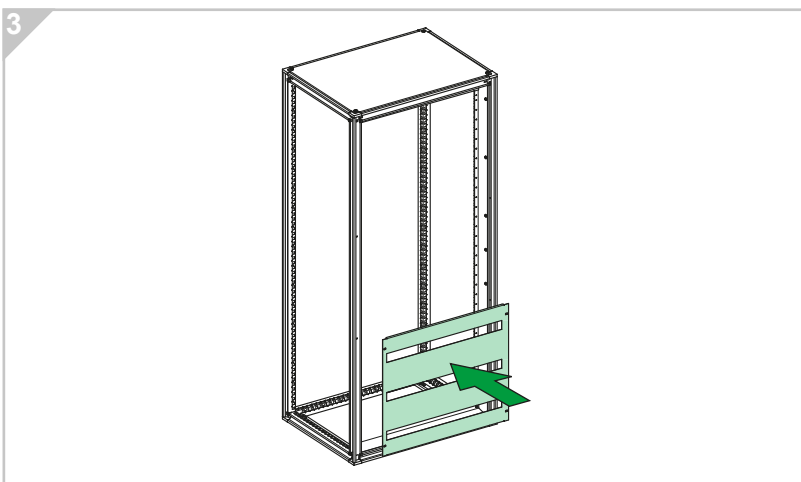
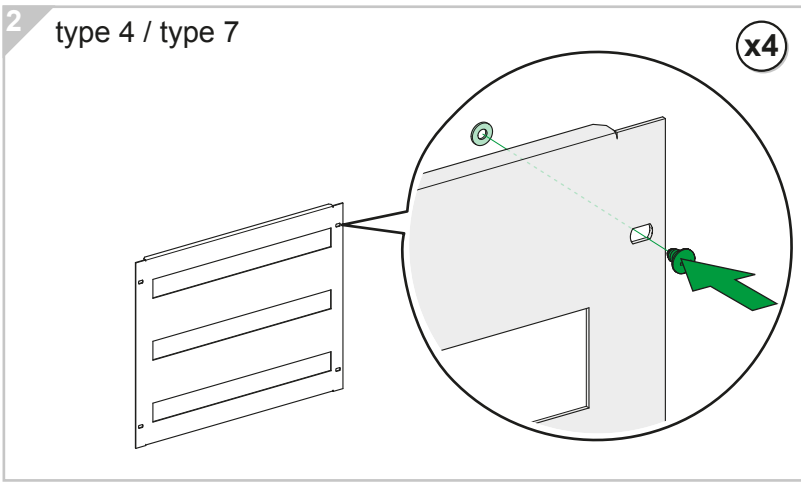
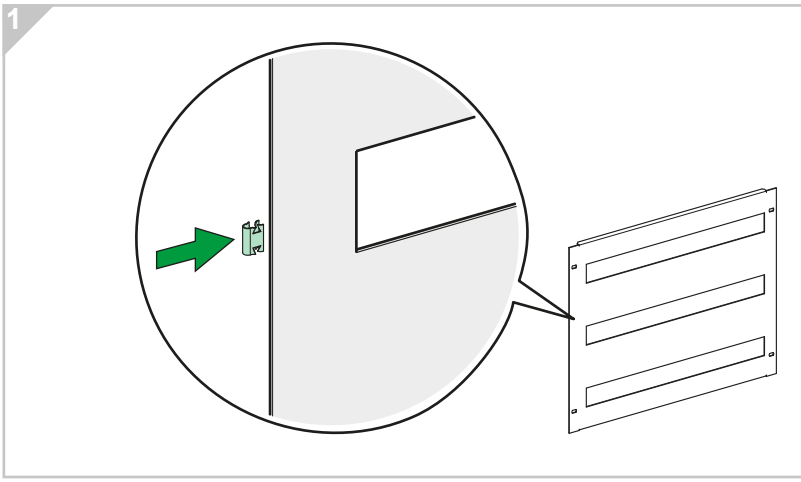
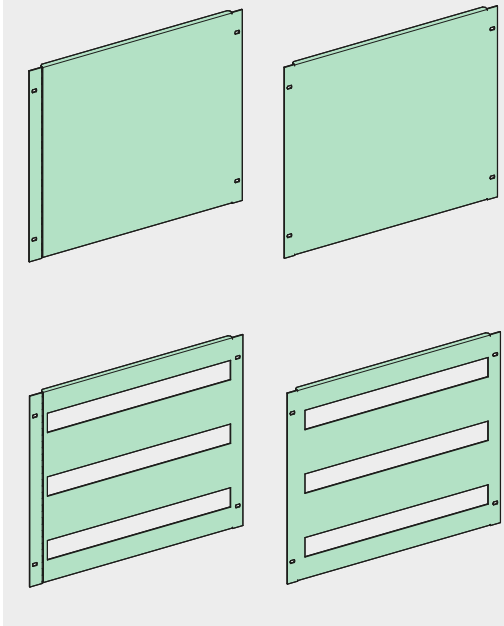
A



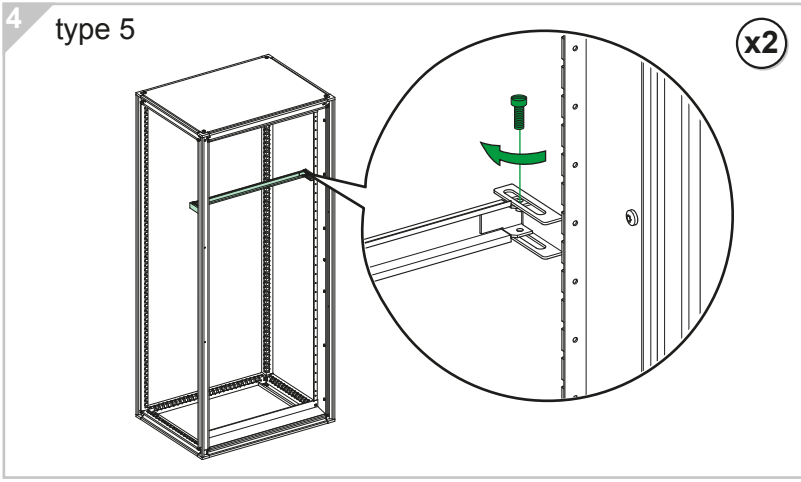
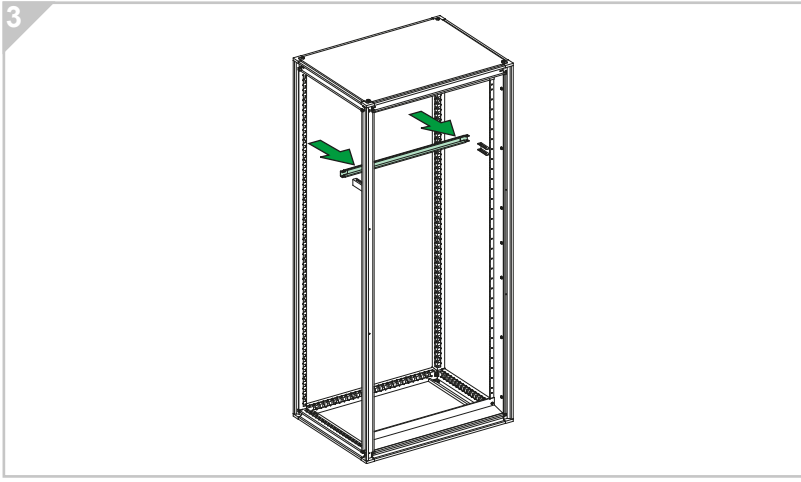
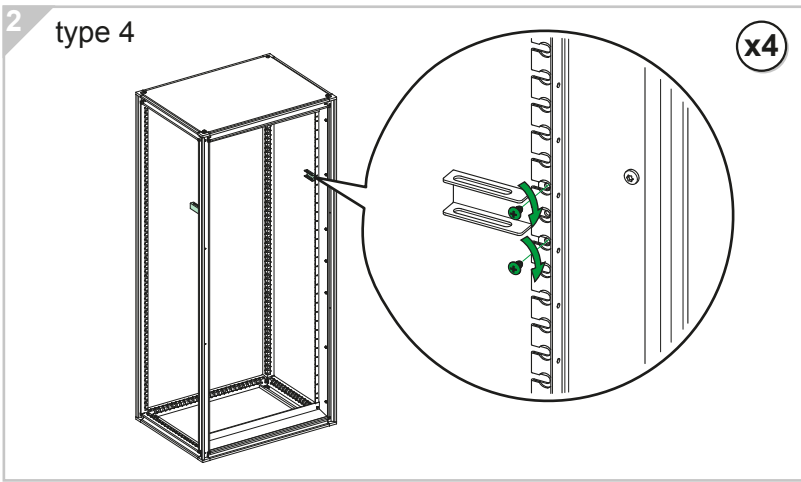
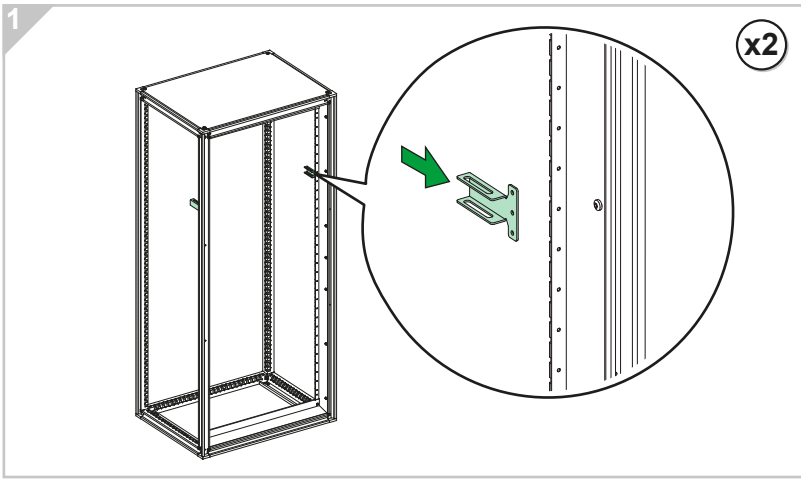
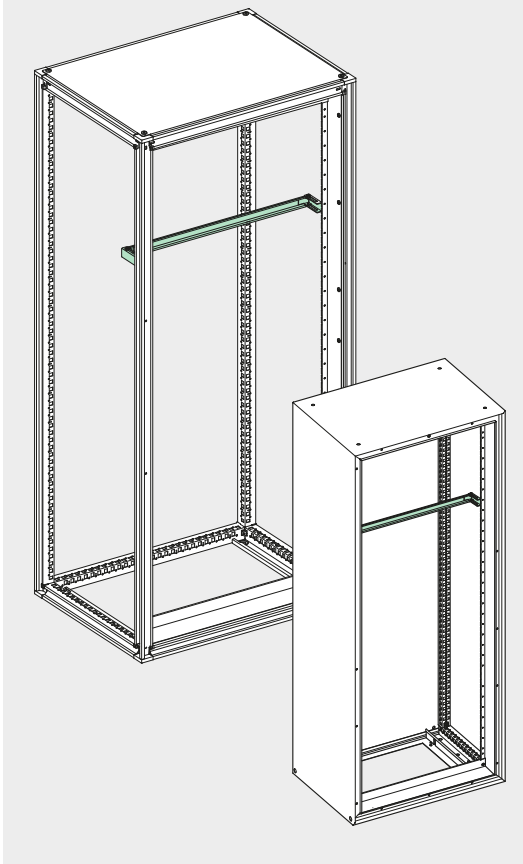
A



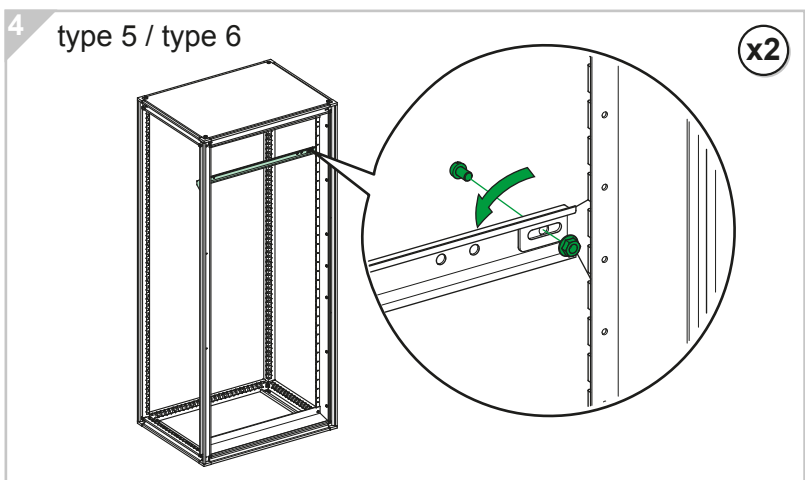
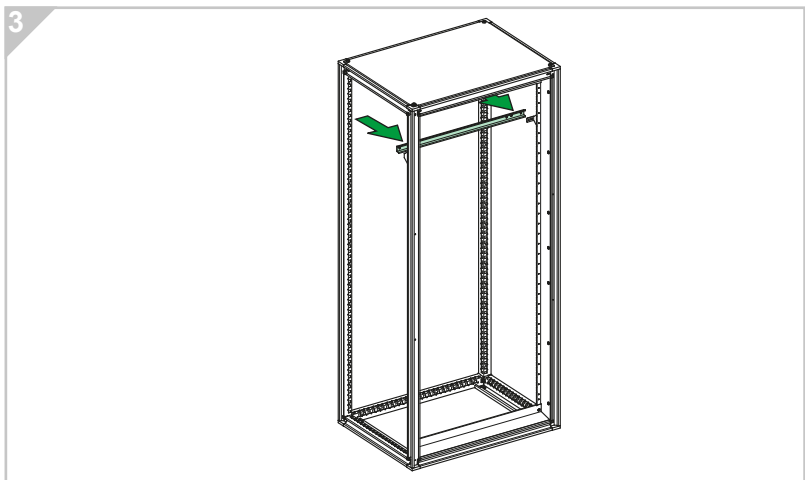
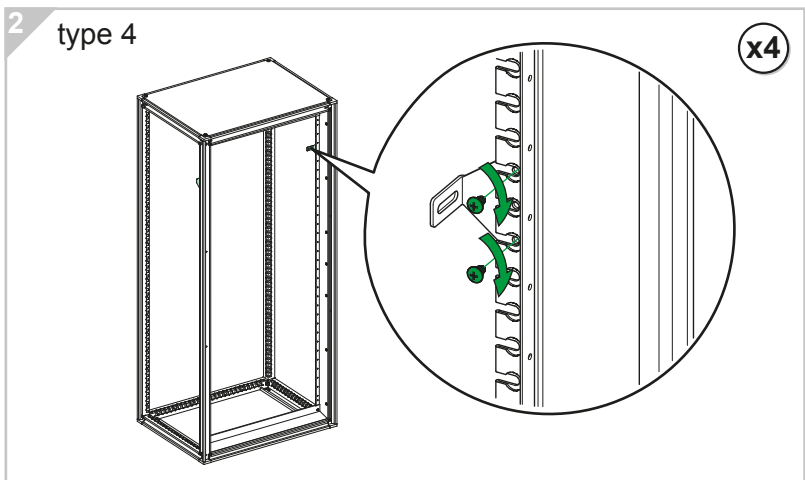
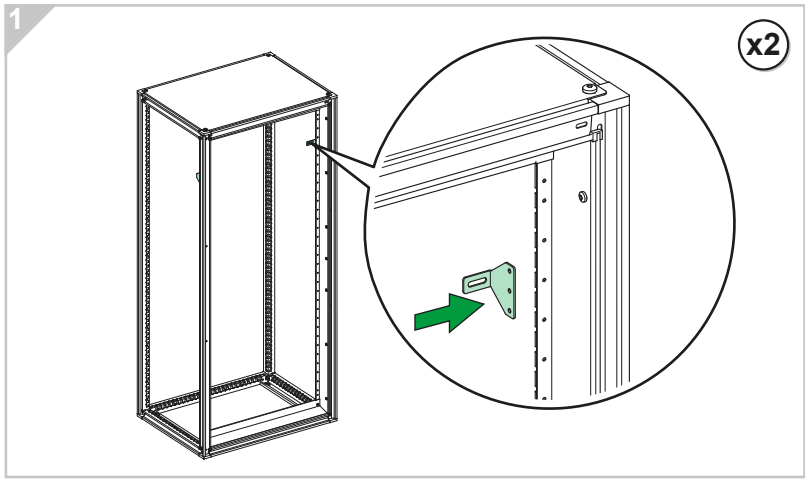
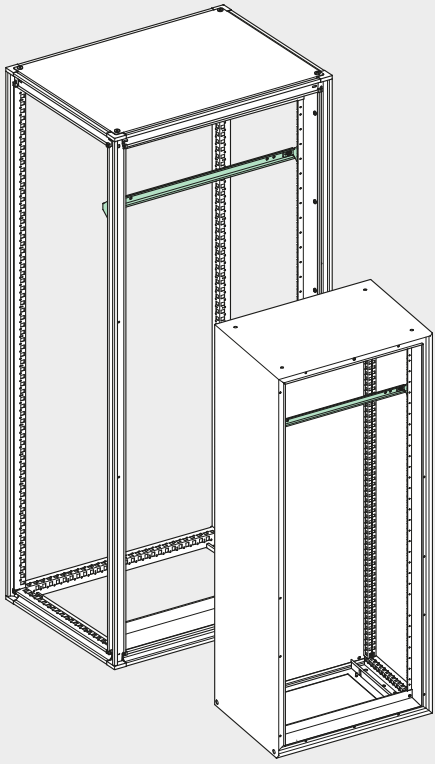
B



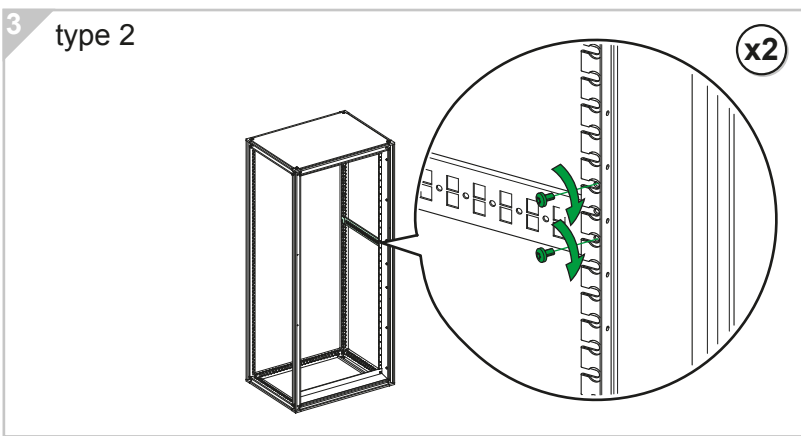
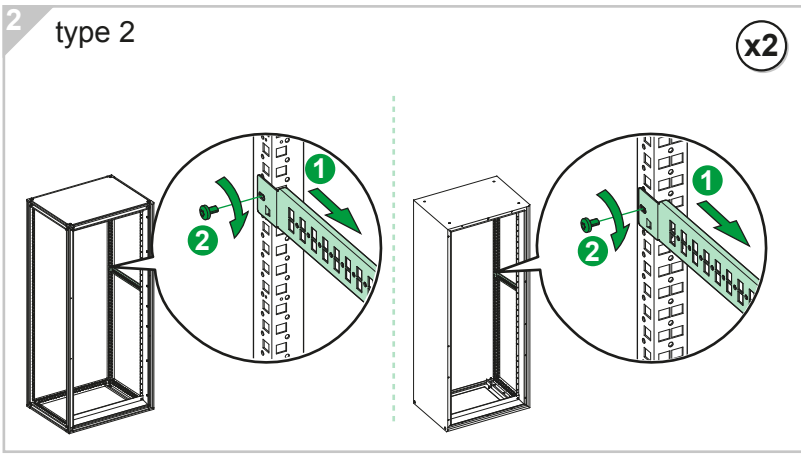
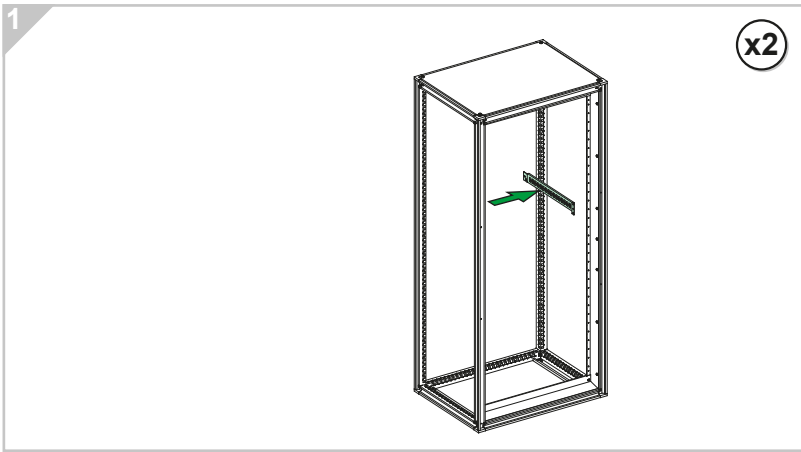
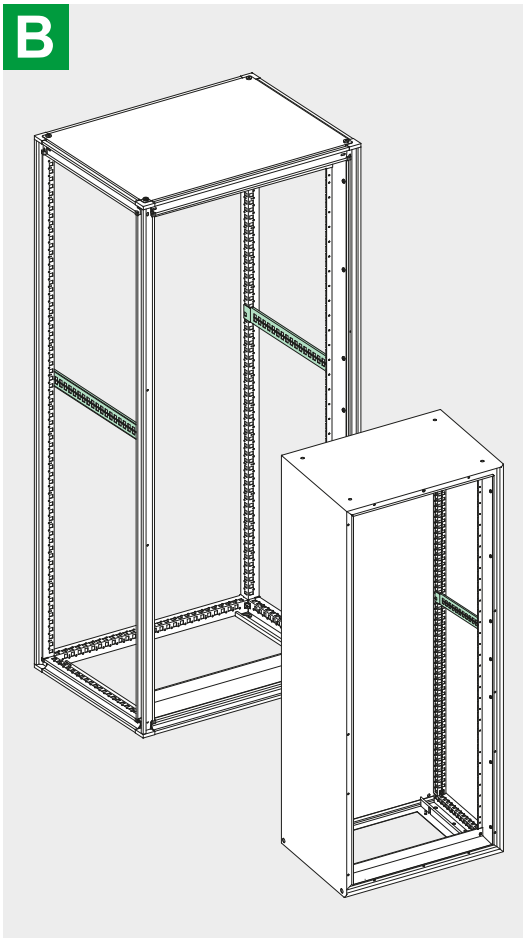
B



B



B



C

