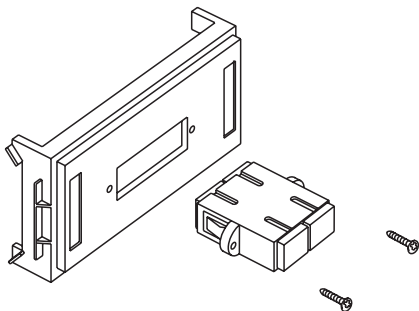
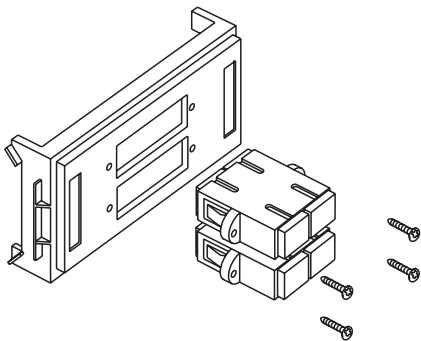


## AMP, 1 x SC duplex



## AMP, 2 x SC duplex



Art.No. 0075152 / 20046000 / 1104