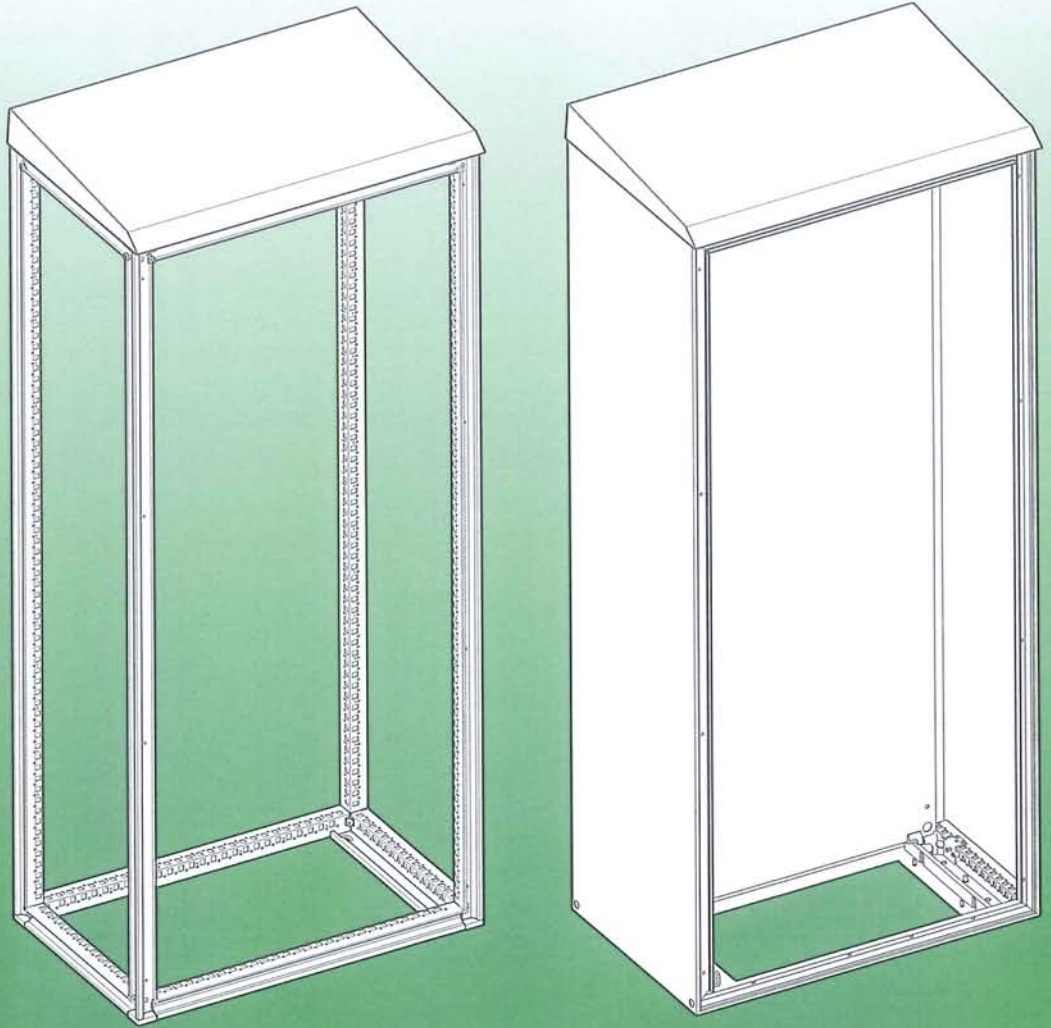


SF/SM Canopy
Auvent SF/SM
Tejadillo SF/SM



type 1
⊕ M6 / T30
3 Nm
26,55 lb-in

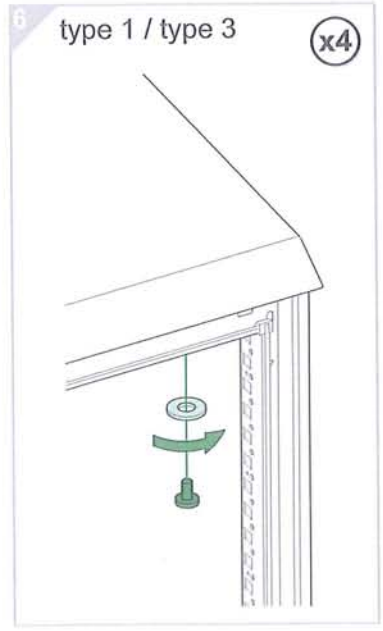
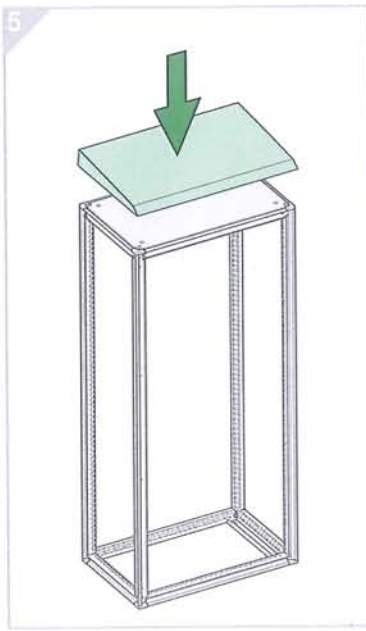
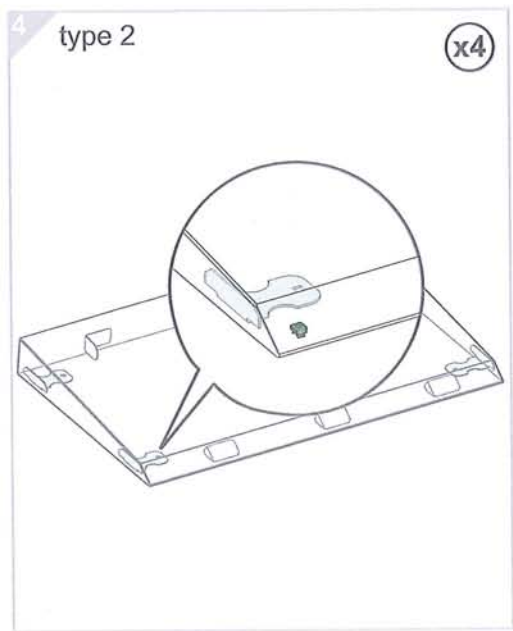
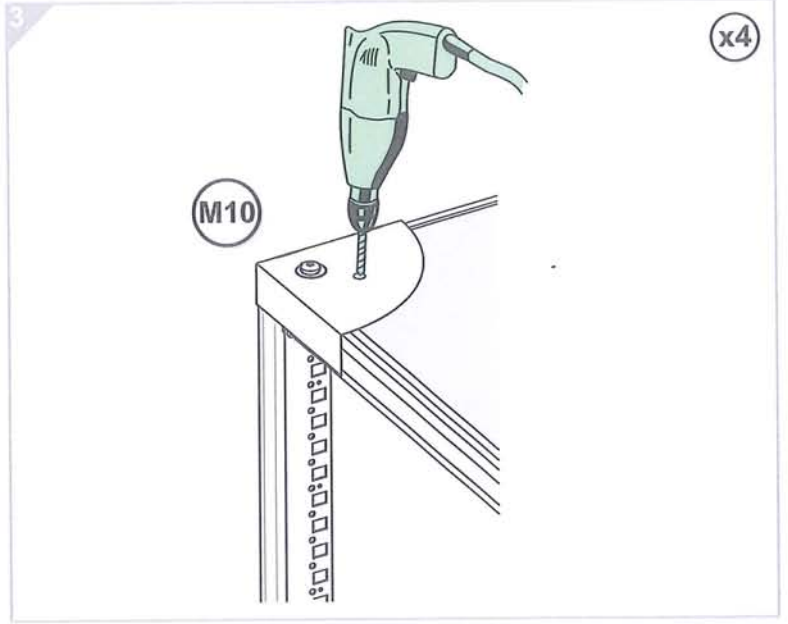
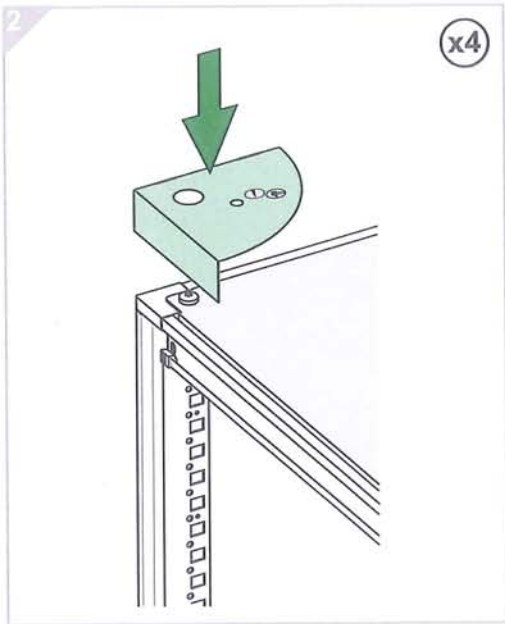
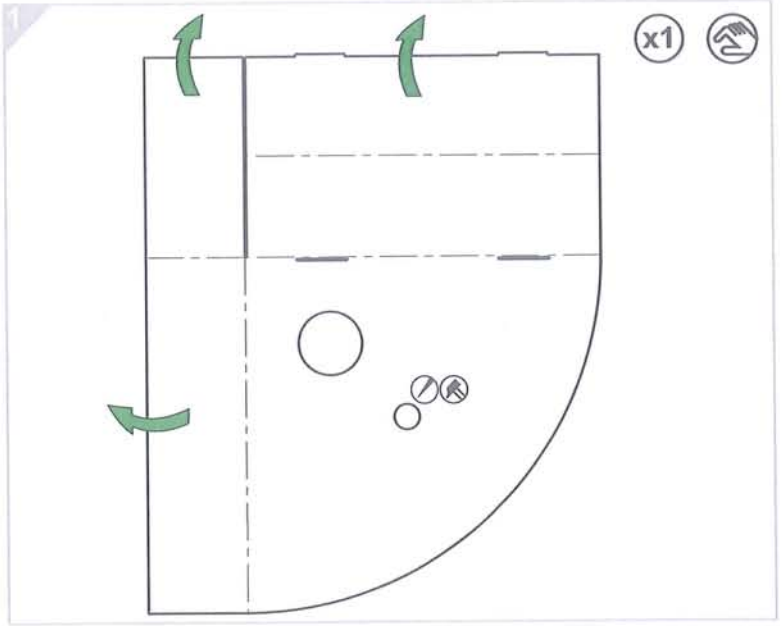
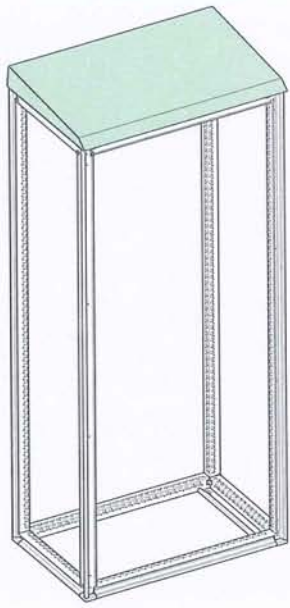


type 2
M6

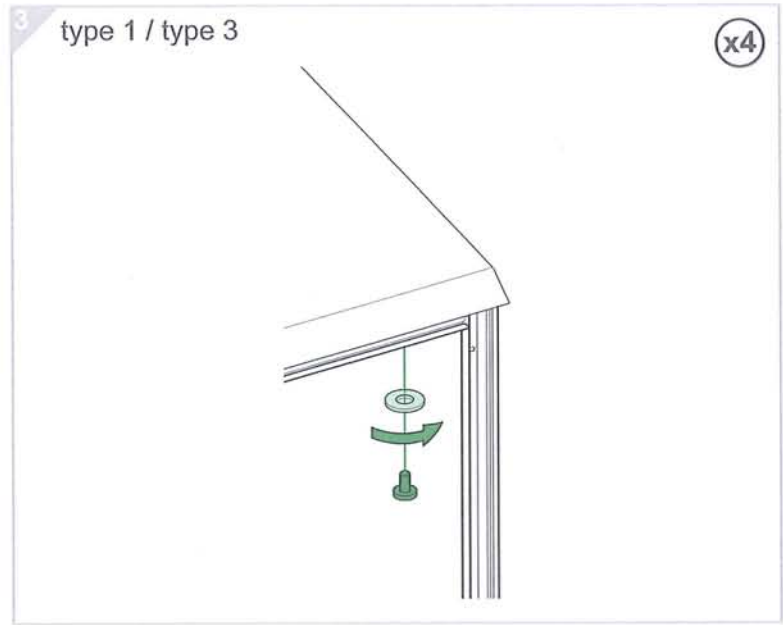
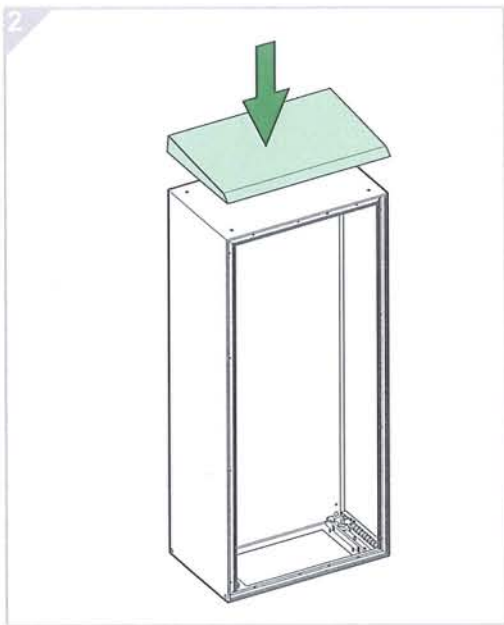
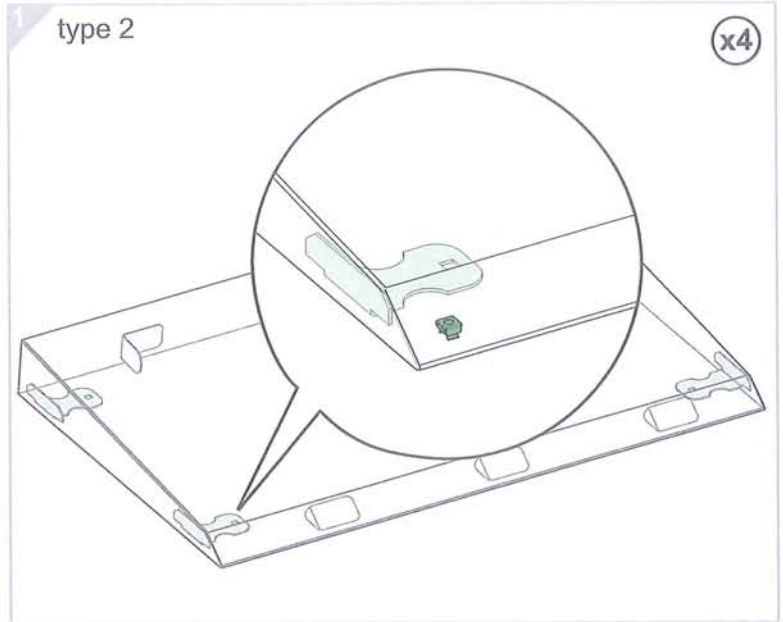
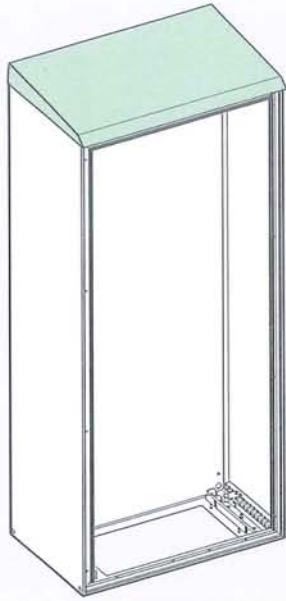


type 3

A



A



7313150001



*Ce document a été imprimé
sur du papier écologique.
This document has been
printed on ecological paper.*

Released for Manufacturing
Printed on 2013/04/16

06/08