

Low voltage electrical distribution

MasterPact NW

Circuit breakers and switch-disconnectors
from 800 to 6300 A

User manual

06/2022



Legal Information

The Schneider Electric brand and any trademarks of Schneider Electric SE and its subsidiaries referred to in this guide are the property of Schneider Electric SE or its subsidiaries. All other brands may be trademarks of their respective owners.

This guide and its content are protected under applicable copyright laws and furnished for informational use only. No part of this guide may be reproduced or transmitted in any form or by any means (electronic, mechanical, photocopying, recording, or otherwise), for any purpose, without the prior written permission of Schneider Electric.

Schneider Electric does not grant any right or license for commercial use of the guide or its content, except for a non-exclusive and personal license to consult it on an "as is" basis. Schneider Electric products and equipment should be installed, operated, serviced, and maintained only by qualified personnel. As standards, specifications, and designs change from time to time, information contained in this guide may be subject to change without notice.

To the extent permitted by applicable law, no responsibility or liability is assumed by Schneider Electric and its subsidiaries for any errors or omissions in the informational content of this material or consequences arising out of or resulting from the use of the information contained herein.

As part of a group of responsible, inclusive companies, we are updating our communications that contain non-inclusive terminology. Until we complete this process, however, our content may still contain standardized industry terms that may be deemed inappropriate by our customers. communications that contain non-inclusive terminology. Until we complete this process, however, our content may still contain standardized industry terms that may be deemed inappropriate by our customers.

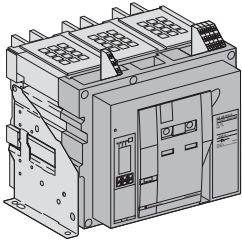
Please Note

Electrical equipment should be installed, operated, serviced, and maintained only by qualified personnel. No responsibility is assumed by Schneider Electric for any consequences arising out of the use of this material.

A qualified person is one who has skills and knowledge related to the construction and operation of electrical equipment and its installation, and has received safety training to recognize and avoid the hazards involved.

Identifying MasterPact	3
Rating plate	3
Discovering MasterPact	4
Components	4
Using MasterPact	8
Understanding the controls and indications	8
Charging the circuit breaker	9
Closing the circuit breaker	10
Opening the circuit breaker	11
Resetting after a fault trip	12
Locking the controls	13
Using the MasterPact drawout chassis	16
Identifying the circuit breaker positions	16
Racking	17
Matching a MasterPact circuit breaker with its chassis	19
Locking the switchboard door	20
Locking the circuit breaker in position	21
Locking the safety shutters	24
Identifying the electrical auxiliaries	28
Identification of the connection terminals	28
Electrical diagrams	29
Operation	31
Discovering MasterPact's accessories	32
MicroLogic control units	32
Indication contacts	33
Auxiliaries for remote operation	35
Device mechanical accessories	37
Chassis mechanical accessories	39
Inspecting and testing before use	42
Initial tests	42
What to do when the circuit breaker trips	44
Maintaining MasterPact performance	45
Recommended maintenance program	45
Troubleshooting and solutions	46
Checking MasterPact operating conditions	48
Environmental conditions	48

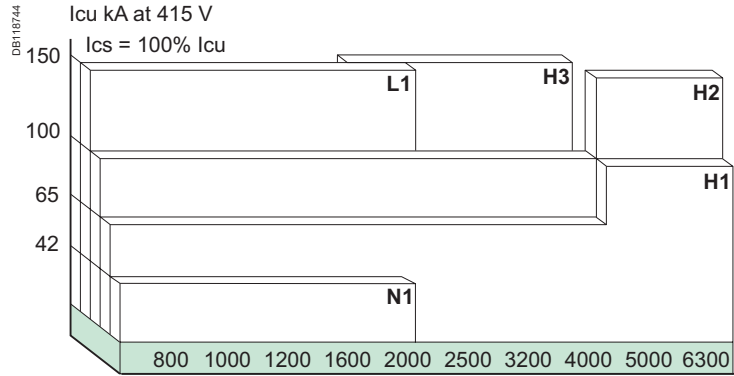
DB118374



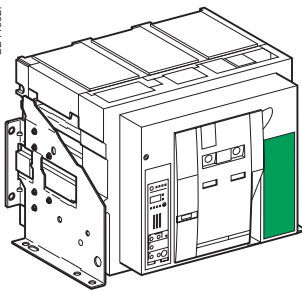
The MasterPact NW range of circuit breakers and switch-disconnectors offer current ratings from 800 A to 6300 A.

Five different performance levels are available:

- N1: standard with total discrimination
- H1: high performance with total discrimination
- H2: a compromise between current limiting and discrimination
- H3: high breaking capacity and discrimination, without current limiting
- L1: high level of current limiting, with some discrimination.



DB118327



Rating plate

DB118743

MasterPact NW08 N1

Ui 1000V Uimp 12kV

Ue (V) Icu (kA)

220/440 ~ 42

480/690 ~ 42

Ics = 100% Icu

Icw 42kA/1s cat.B

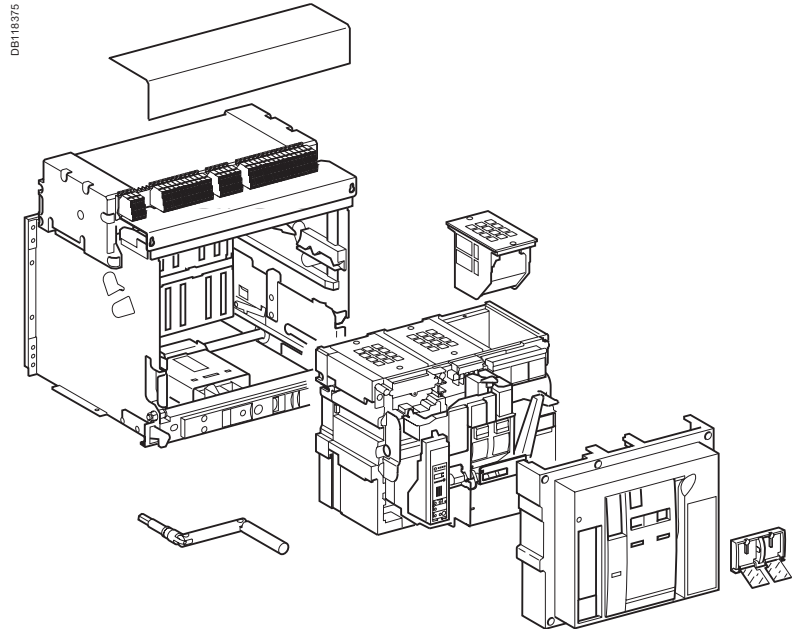
IEC 60947-2 50/60Hz

UTE VDE BS CEI UNE AS NEMA

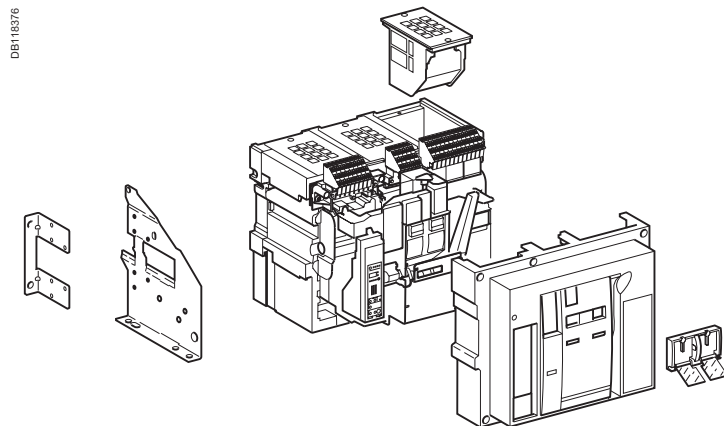
- Rated current x 100 A
- Performance level
- Suitability for isolation
- Type of device: circuit breaker or switch-disconnector
- Rated insulation level
- Impulse withstand voltage
- Ultimate breaking capacity
- Rated operational voltage
- Ics: rated service breaking capacity
- Icu: ultimate breaking capacity
- Rated short-time withstand current
- Frequency
- Standards

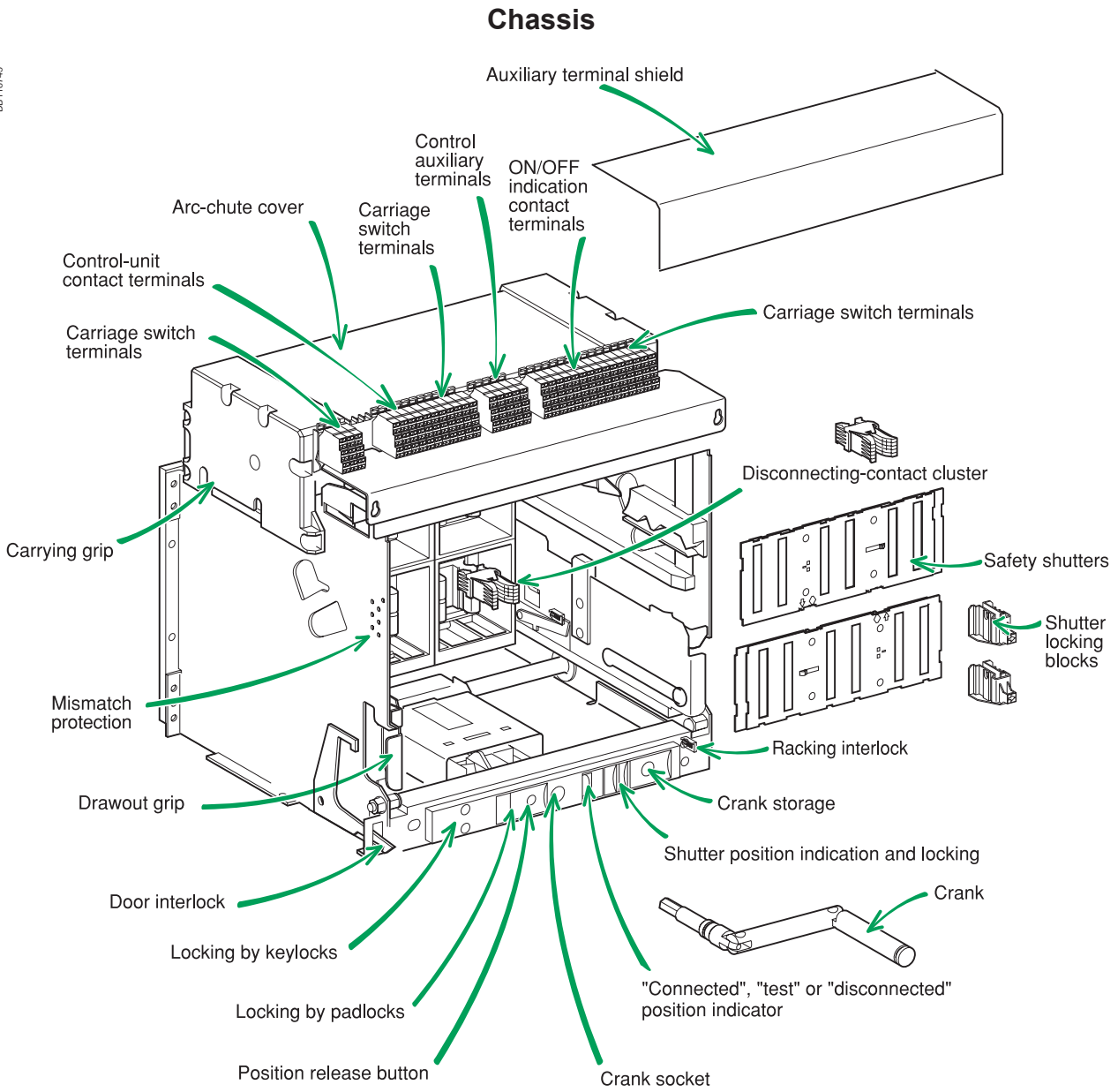
MasterPact circuit breakers are available in drawout and fixed versions. The drawout version is mounted on a chassis and the fixed version is installed using fixing brackets.

Drawout version



Fixed version

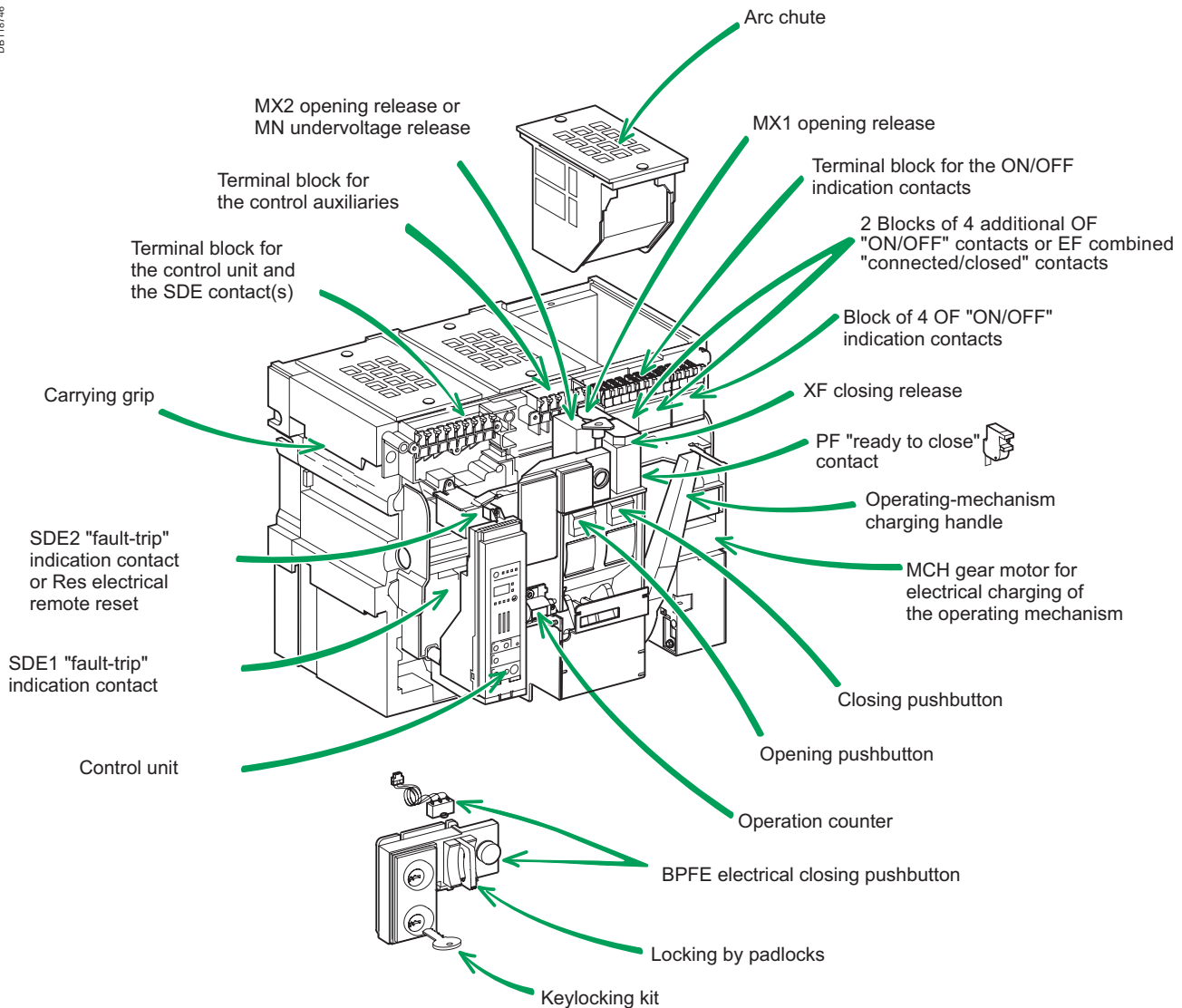




DB118745

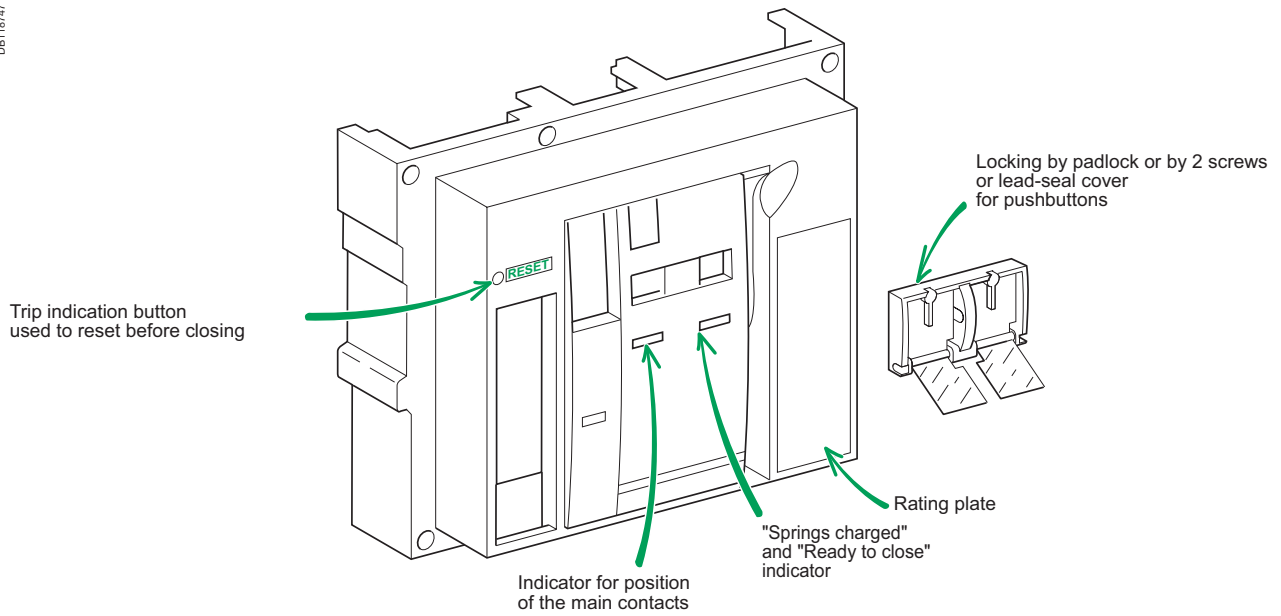
Circuit breaker / switch-disconnector

DB118746

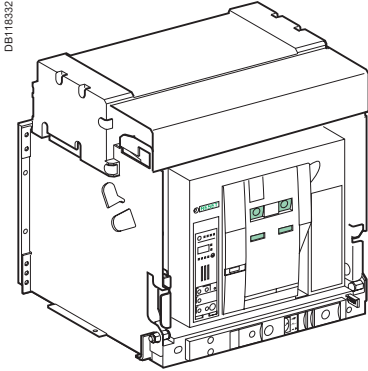


Front

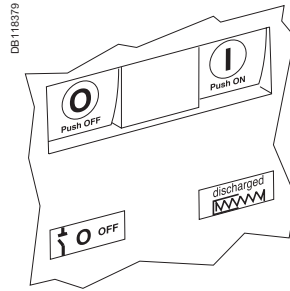
DB118747



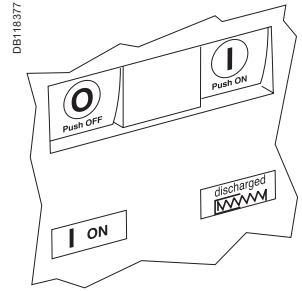
Understanding the controls and indications



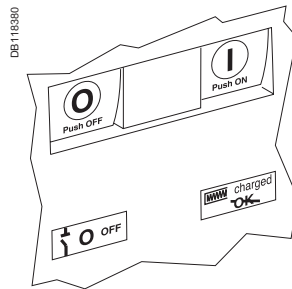
Circuit breaker open and discharged



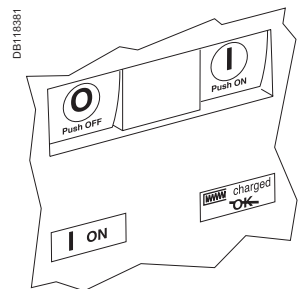
Circuit breaker closed and discharged



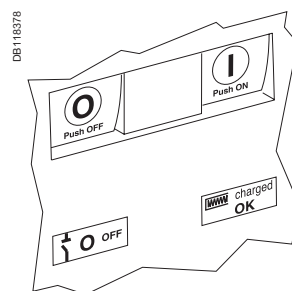
Circuit breaker open, charged and not "ready to close"



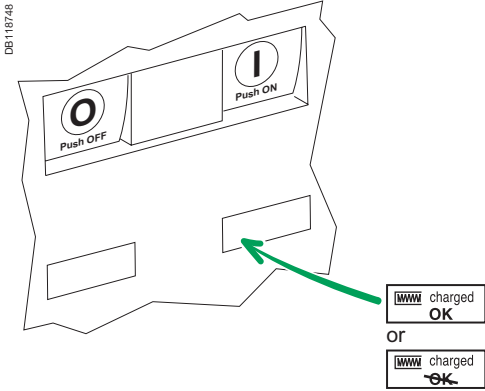
Circuit breaker closed, charged and not "ready to close"



Circuit breaker open, charged and "ready to close"

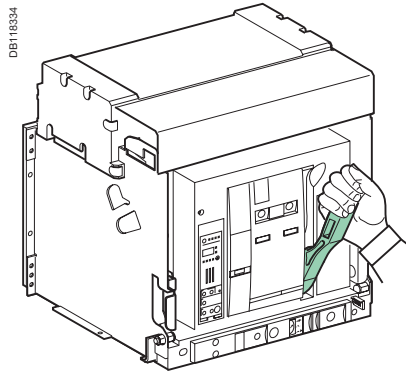


The charge status is indicated as follows.

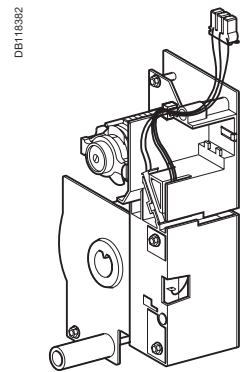


The springs in the circuit breaker operating mechanism must be charged to store the energy required to close the main contacts. The springs may be charged manually using the charging handle or automatically using the optional MCH gear motor.

Manual charging:
Pull the handle down seven times until you hear a "clack".



Automatic charging:
If the MCH gear motor is installed, the spring is automatically recharged after each closing.



Device "ready to close"



Device not "ready to close"



Closing conditions

Closing (i.e. turning the circuit ON) is possible only if the circuit breaker is "ready to close".

The prerequisites are the following:

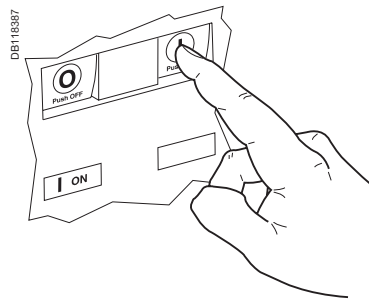
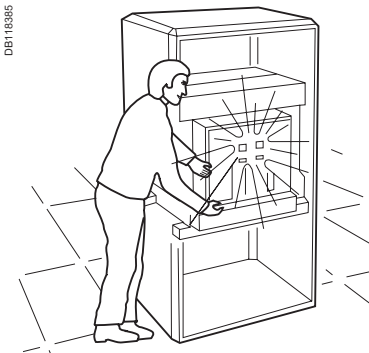
- device open (OFF)
- springs charged
- no opening order present.

If the circuit breaker is not "ready to close" when the order is given, stop the order and start again when the circuit breaker is "ready to close". An opening order always takes priority over a closing order.

Closing the circuit breaker

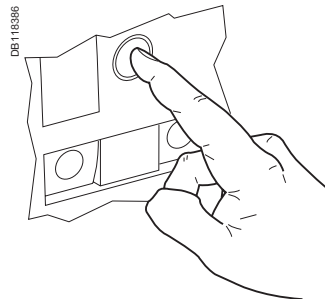
Locally (mechanical)

Press the mechanical ON pushbutton.

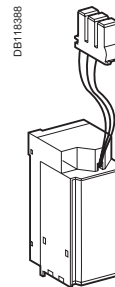


Locally (electrical)

BPFE



XF

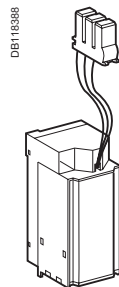


Press the electrical closing pushbutton. Electrical closing via the BPFE pushbutton takes into account all the safety functions that are part of the control/monitoring system of the installation.

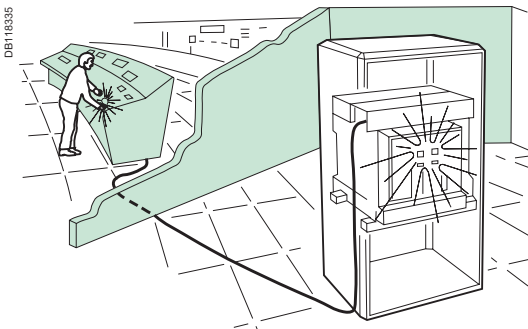
The BPFE connects to the closing release (XF com) in place of the COM module. The COM module is incompatible with this option.

Remotely

XF



By adding an XF closing release, the circuit breaker can be closed remotely. When connected to a remote control panel, the XF closing release (0.85 to 1.1 Un) can close the circuit breaker remotely.

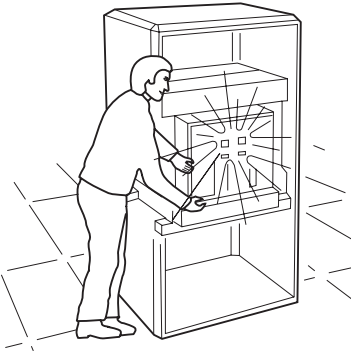


Enabling or disabling the anti-pumping function

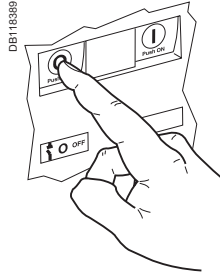
The purpose of the mechanical anti-pumping function is to ensure that a circuit breaker receiving simultaneous opening and closing orders does not open and close indefinitely.

If there is a continuous closing order, after opening the circuit breaker remains open until the closing order is discontinued. A new closing order then closes the circuit breaker. This function can be disabled by wiring the closing release in series with the PF "ready to close" contact.

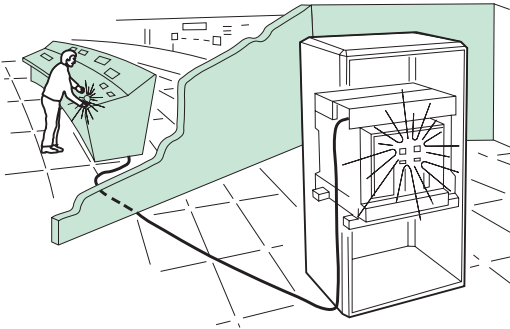
DB118385



Locally
Press the OFF pushbutton.



DB118335



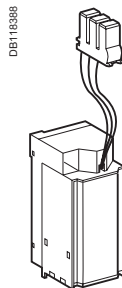
Remotely

Use one of the following solutions:

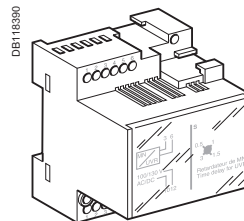
- one or two MX opening releases (MX1 and MX2, 0.7 to 1.1 Un)
- one MN undervoltage release (0.35 to 0.7 Un)
- one MN undervoltage release (0.35 to 0.7 Un) with a delay unit (R or Rr).

When connected to a remote control panel, these releases can be used to open the circuit breaker remotely.

MX1, MX2, MN



MN delay unit

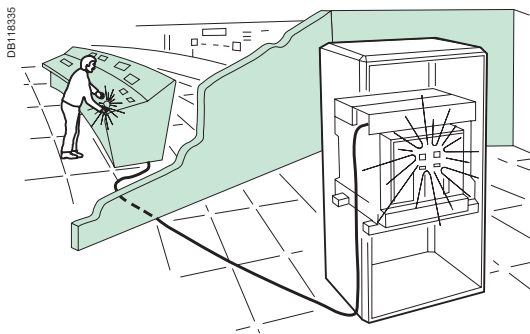
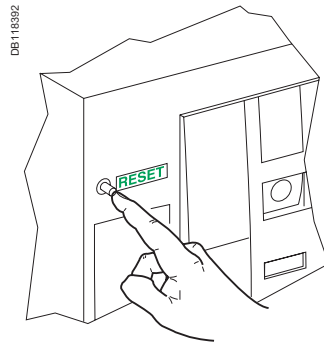
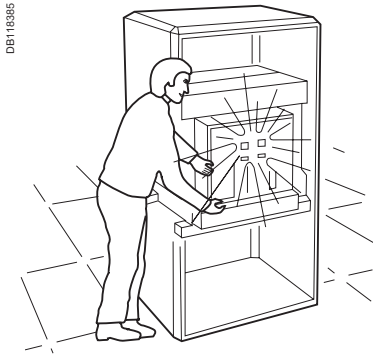


The circuit breaker signals a fault by:

- a mechanical indicator on the front panel
- one or two SDE "fault-trip" indication contacts (SDE2 is optional).

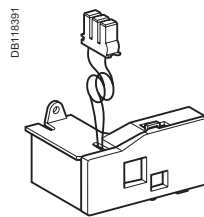
Locally

If the circuit breaker is not equipped with the automatic reset option, reset it manually.



Remotely

Use the Res electrical remote reset option (not compatible with an SDE2).



Locking the controls

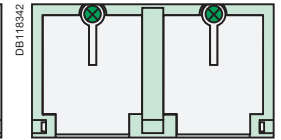
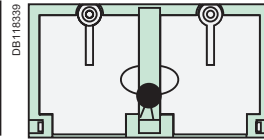
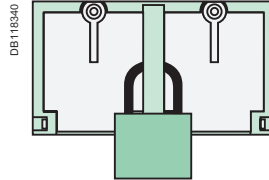
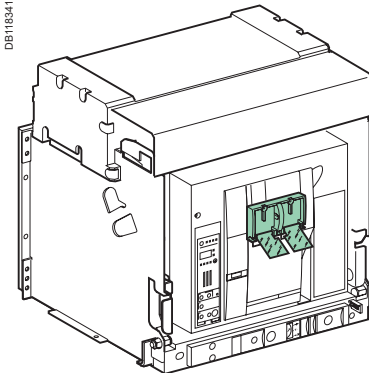
Disabling circuit-breaker local closing and opening

Pushbutton locking using a padlock (shackle diameter 5 to 8 mm), a lead seal or screws.

Padlock

Lead seal

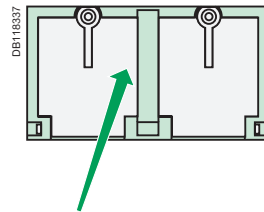
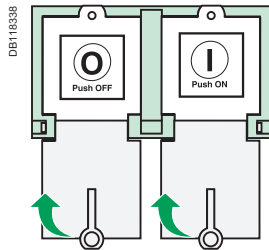
Screws



Locking

Close the covers.

Insert the padlock shackle, lead seal or screws.

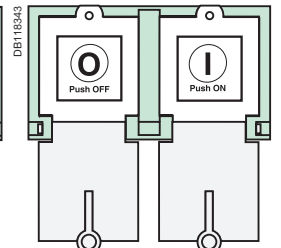
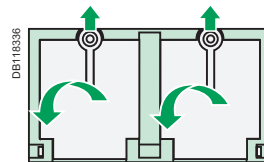
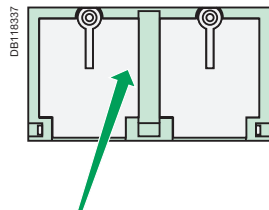


Unlocking

Remove the padlock, lead seal or screws.

Lift the covers and swing them down.

The pushbuttons are no longer locked.



Locking the controls

Disabling local and remote closing

Combination of locking systems

To disable circuit-breaker closing using the pushbuttons or remotely, use as needed:

- one to three padlocks
- one or two keylocks
- a combination of the two locking system.

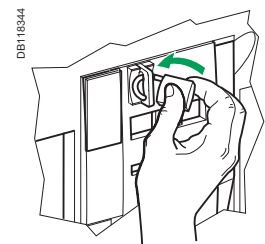
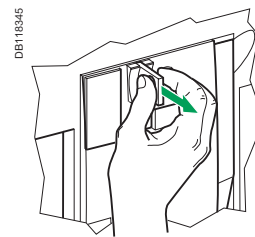
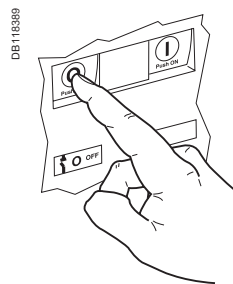
Install a padlock (maximum shackle diameter 5 to 8 mm)

Locking

Open the circuit breaker.

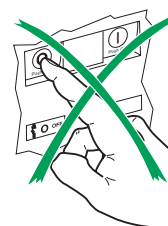
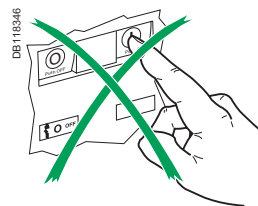
Pull out the tab.

Insert the padlock shackle.



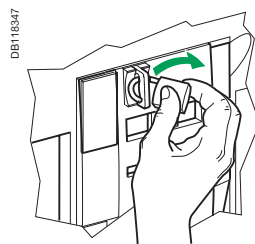
Check

The controls are inoperative.



Unlocking

Remove the padlock.



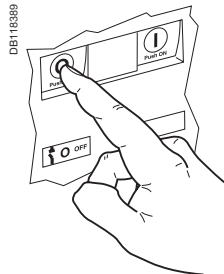
Locking the controls

Disabling local and remote closing

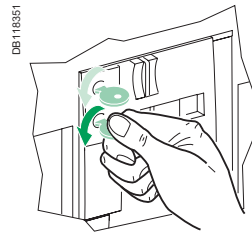
Locking the controls with one or two keylocks

Locking

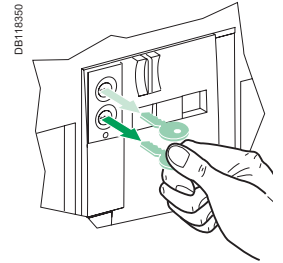
Open the circuit breaker.



Turn the key(s).

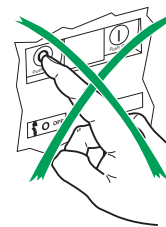
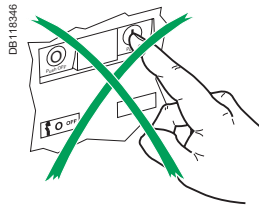


Remove the key(s).



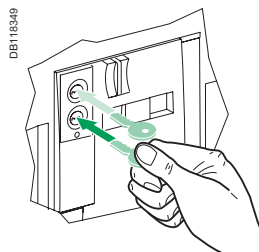
Check

The controls are inoperative.

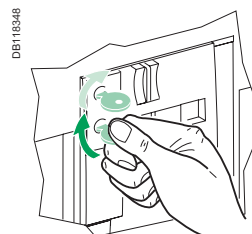


Unlocking

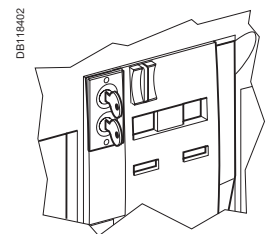
Insert the key(s).



Turn the key(s).

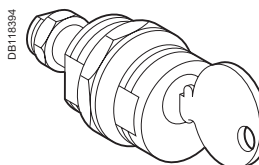


The key(s) cannot be removed.

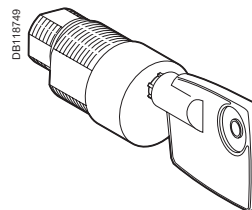


Four types of keylocks can be installed

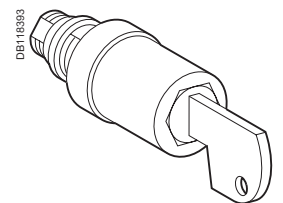
RONIS



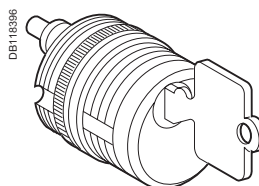
PROFALUX



CASTELL



KIRK

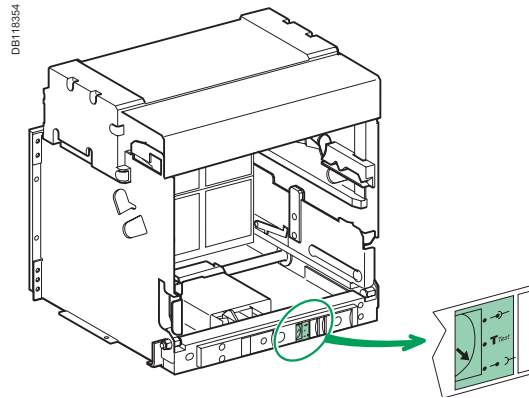


Note :

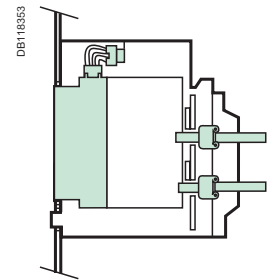
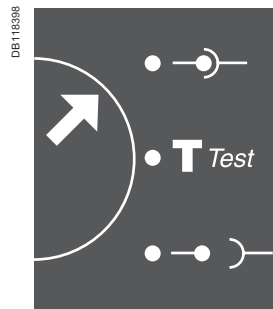
Castell and Kirk keylocks are not provided by Schneider Electric, only the adaptation kit is available.

Identifying the circuit breaker positions

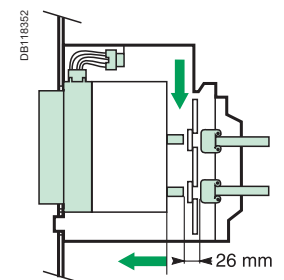
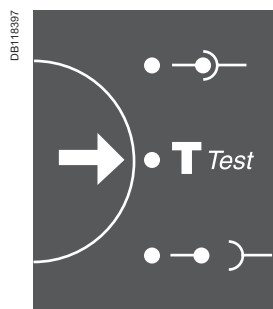
The indicator on the front signals the position of the circuit breaker in the chassis.



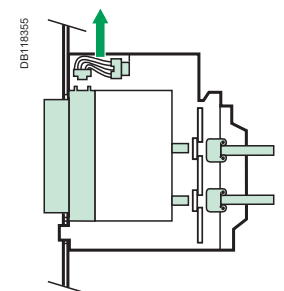
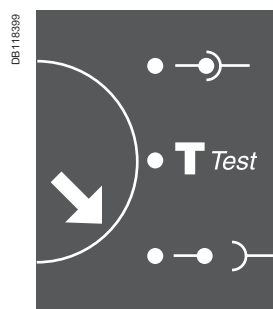
■ "connected" position



■ "test" position



■ "disconnected" position



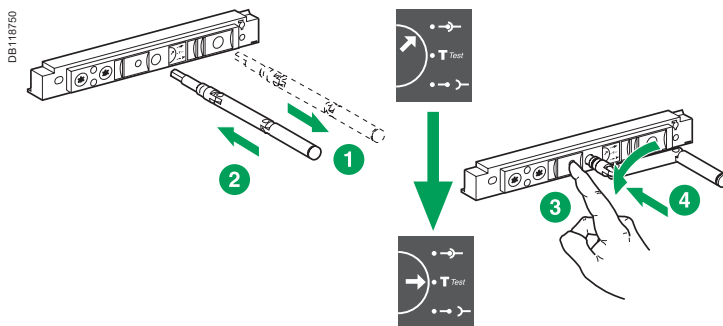
These operations require that all chassis-locking functions be disabled (see page 21).

Prerequisites

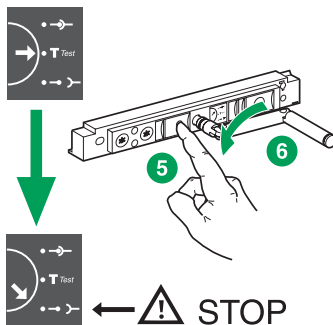
To connect and disconnect MasterPact, the crank must be used. The chassis locking systems, padlocks and the racking interlock all inhibit use of the crank.

Withdrawing the circuit breaker from the "connected" to "test" position, then to "disconnected" position

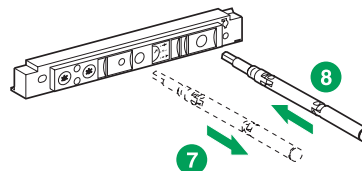
The circuit breaker is in "connected" position. Push the pop-up button before starting to turn the crank.



The circuit breaker is in "test" position.



The circuit breaker is in "test" position. Remove the crank or continue to "disconnected" position. Push the pop-up button before continuing to turn the crank.



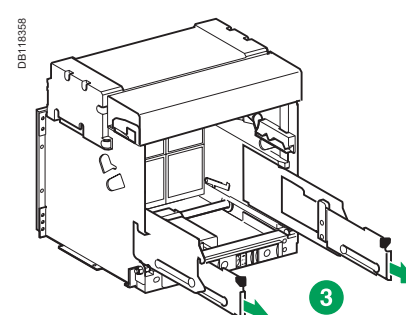
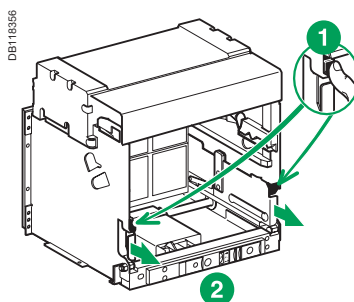
The circuit breaker is in "disconnected" position.

Important. The right-hand rail cannot be removed if the crank has not been removed or if the circuit breaker is not fully disconnected.

Removing the rails

Press the release tabs and pull the rails out.

To put the rails back in, press the release tabs and push the rails in.



For complete information on MasterPact handling and mounting, see the installation manual(s).

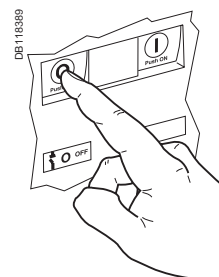
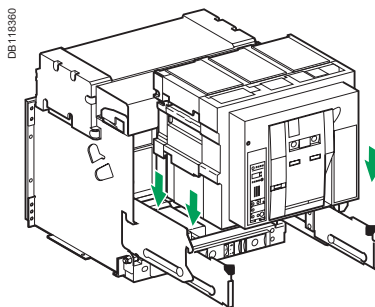
Before mounting the circuit breaker, make sure it matches the chassis in terms of rated current and performance level.

If you cannot insert the circuit breaker in the chassis, check that the mismatch protection on the chassis corresponds to that on the circuit breaker.

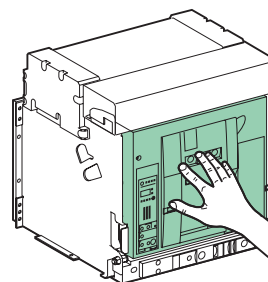
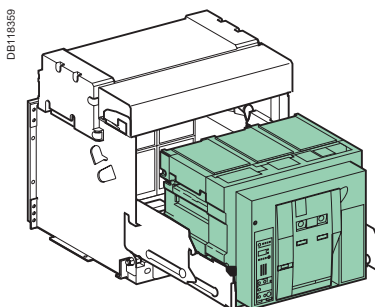
Inserting MasterPact

Position the circuit breaker on the rails. Check that it rests on all four supports.

Open the circuit breaker (in any case, it opens automatically during connection).

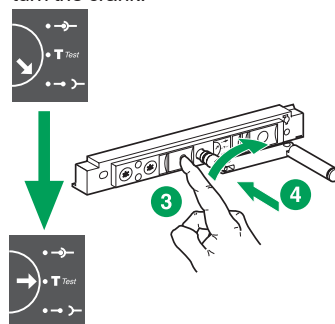
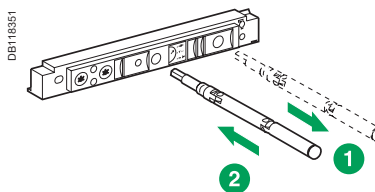


Push the circuit breaker into the chassis, taking care not to push on the control unit.



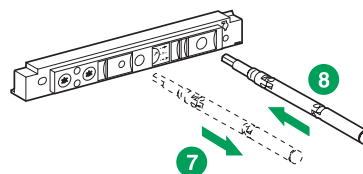
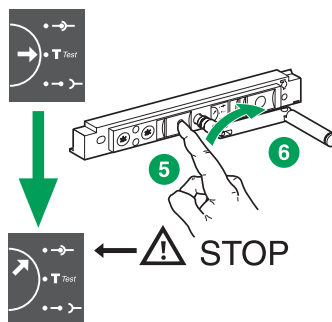
Racking the circuit breaker from the "disconnected" to "test" position, then to "connected" position

The device is in "disconnected" position. Push the pop-up button before starting to turn the crank.



The device is in "test" position. Push the pop-up button before continuing to turn the crank.

The device is in "test" position. Remove the crank or continue to "connected" position.



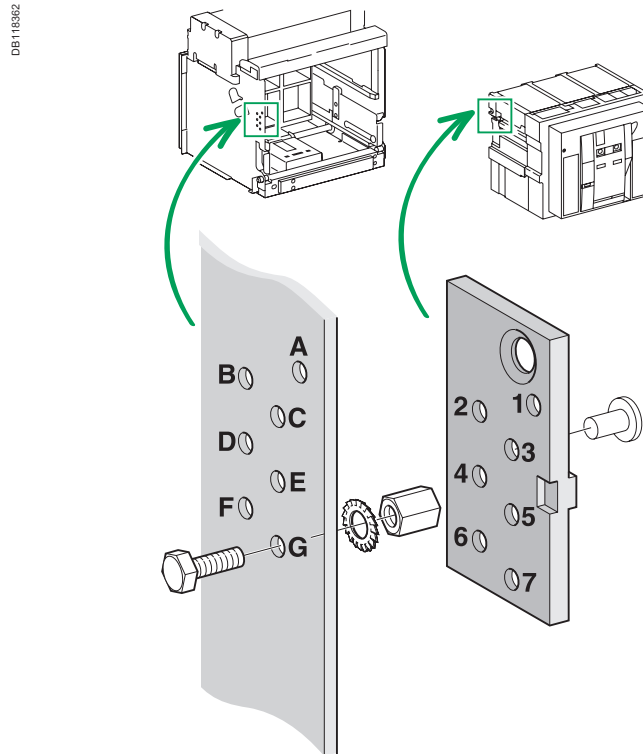
The device is in "connected" position.

Matching a MasterPact circuit breaker with its chassis

To set up a mismatch-prevention combination for the circuit breaker and the chassis, see the mismatch-prevention installation manual.

The mismatch protection ensures that a circuit breaker is installed only in a chassis with compatible characteristics.

The possible combinations are listed below.

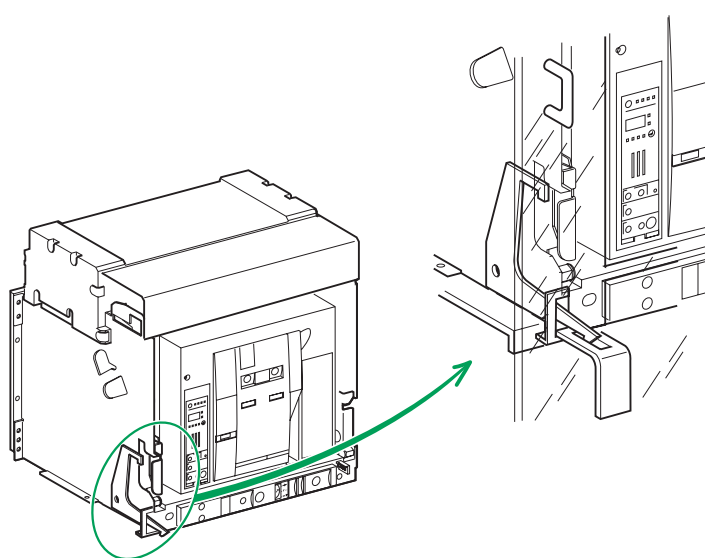


A B C D	5 6 7	B C D E	1 6 7
A B C E	4 6 7	B C D F	1 5 7
A B C F	4 5 7	B C D G	1 5 6
A B C G	4 5 6	B C E F	1 4 7
A B D E	3 6 7	B C E G	1 4 6
A B D F	3 5 7	B D E F	1 3 7
A B D G	3 5 6	B D E G	1 3 6
A B E F	3 4 7	B D F G	1 3 5
A B E G	3 4 6	C D E F	1 2 7
A B F G	3 4 5	C D E G	1 2 6
A C D E	2 6 7	C E F G	1 2 4
A C D F	2 5 7	D E F G	1 2 3
A C D G	2 5 6		
A C E F	2 4 7		
A C E G	2 4 6		
A C F G	2 4 5		
A D E F	2 3 7		
A D E G	2 3 6		
A D F G	2 3 5		
A E F G	2 3 4		

The locking option is installed on the left or right-hand side of the chassis:

- when the circuit breaker is in "connected" or "test" position, the latch is lowered and the door is locked
- when the circuit breaker is in "disconnected" position, the latch is raised and the door is unlocked.

DB118366



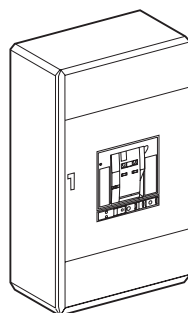
Disabling door opening

Close the door.

Put the MasterPact in "test" or "connected" position.

The door is locked.

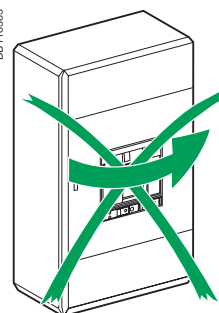
DB118401



DB118363



DB118365



Enabling door opening

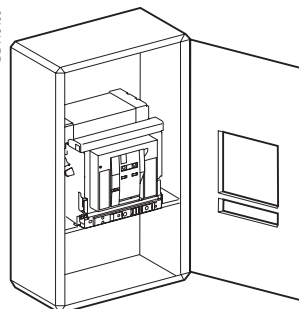
Put the MasterPact in "disconnected" position.

The door is unlocked.

DB118364



DB118400



Locking the circuit breaker in position

Padlocks and keylocks may be used together.

Combination of locking systems

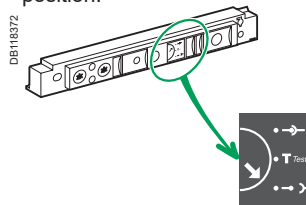
With the circuit breaker in the "disconnected" position, for forbidding its connection in the chassis, use as needed:

- one to three padlocks
- one or two keylocks
- a combination of the two locking systems.

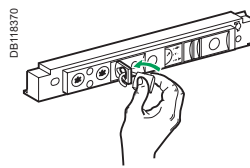
Disabling connection when the circuit breaker is in "disconnected" position, using one to three padlocks (maximum shackle diameter 5 to 8 mm)

Locking

Circuit breaker in "disconnected" position.

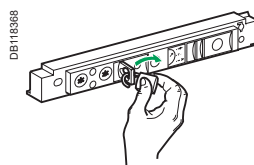


Insert the shackle (max. diameter 5 to 8 mm) of the padlock(s).

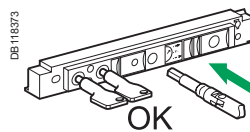


Unlocking.

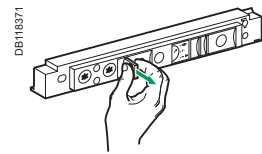
Remove the padlock(s).



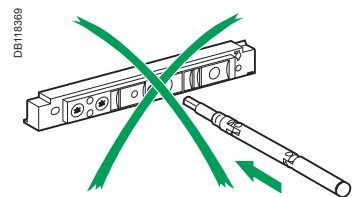
The crank can be inserted.



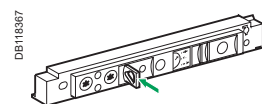
Pull out the tab.



The crank cannot be inserted.



Release the tab.



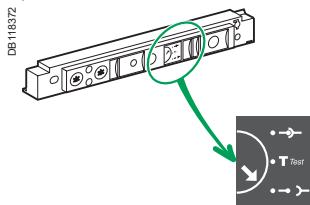
Locking the circuit breaker in position

Padlocks and keylocks may be used together.

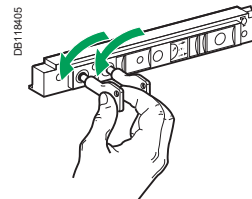
Disabling connection when the circuit breaker is in "disconnected" position, using one or two keylocks.

Locking

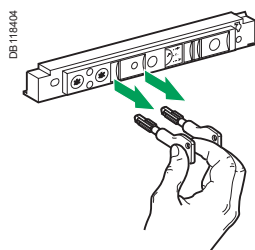
Circuit breaker in "disconnected" position.



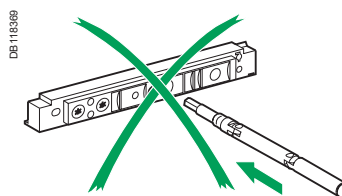
Turn the key(s).



Remove the key(s).

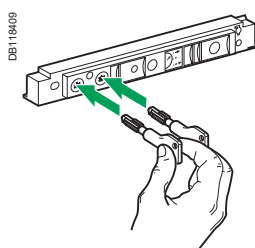


The crank cannot be inserted.

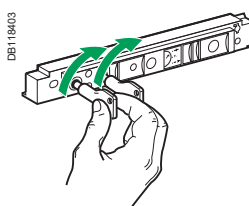


Unlocking

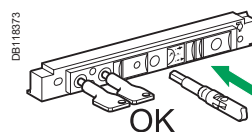
Insert the key(s).



Turn the key(s).

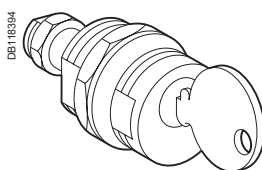


The crank can be inserted.

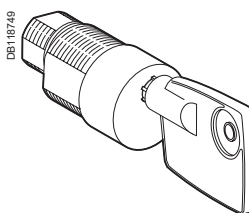


Four types of keylocks are available

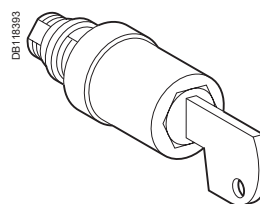
RONIS



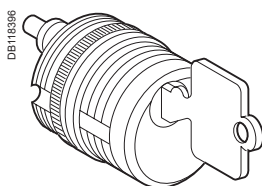
PROFALUX



CASTELL



KIRK



Note :

Castell and Kirk keylocks are not provided by Schneider Electric, only the adaptation kit is available.

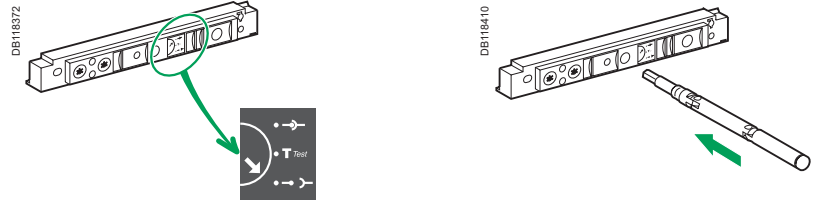
Locking the circuit breaker in position

For this operation, the circuit breaker must be removed from the chassis.

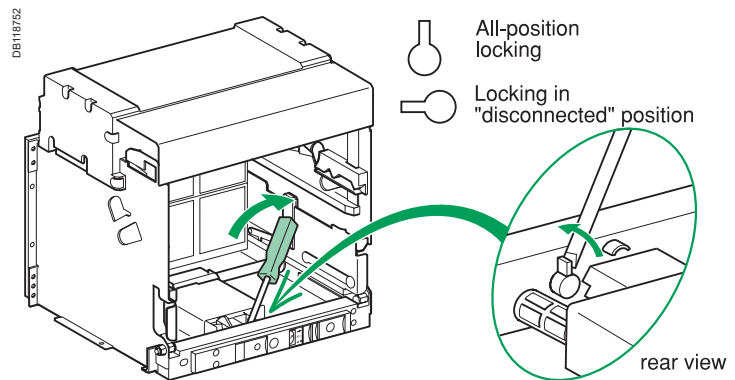
Disabling use of the crank in all positions

It is possible to modify the padlock and keylock locking function. Instead of locking only in "disconnected" position, it is possible to lock the circuit breaker in all positions

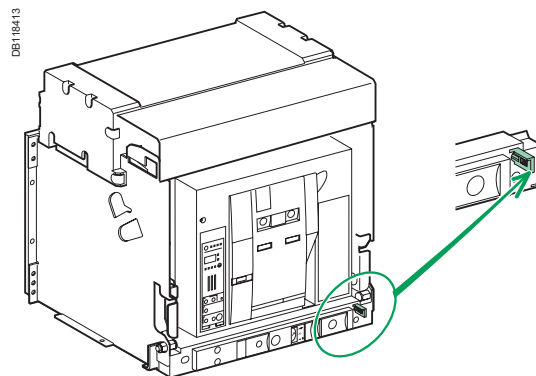
Set the circuit breaker to "disconnected" position. Insert the crank.
Remove the circuit breaker from the chassis.



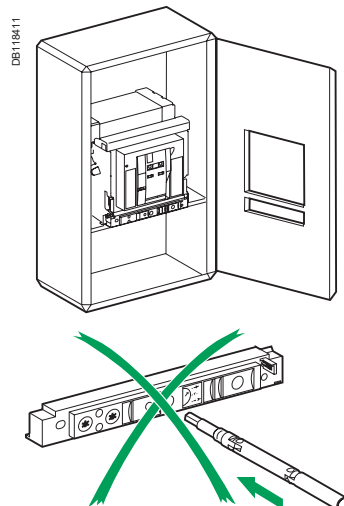
Turn the catch to the right. The circuit breaker can now be locked in all positions.



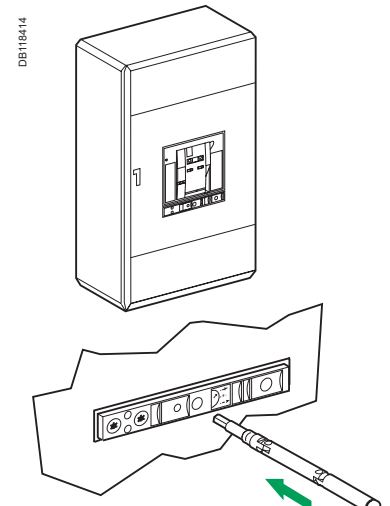
Locking the circuit breaker when the door is open



When the door is open, the crank cannot be inserted.



When the door is closed, the crank can be inserted.



Locking the safety shutters Padlocking inside the chassis (MasterPact NW08-40)

The safety shutters can be locked in closed position so that the moving part of a MasterPact NW device cannot be connected in its chassis.

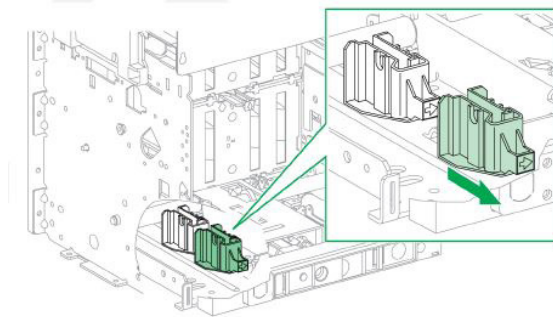
The safety shutters can be locked by padlocks with maximum shackle diameter 5–8 mm:

- either inside the chassis by using the shutter locking blocks delivered in the chassis,
- or on the front of the chassis, by using the optional VIVC shutter position indication and locking accessory.

The top and bottom safety shutters on MasterPact NW08-40 devices can be locked independently or together.

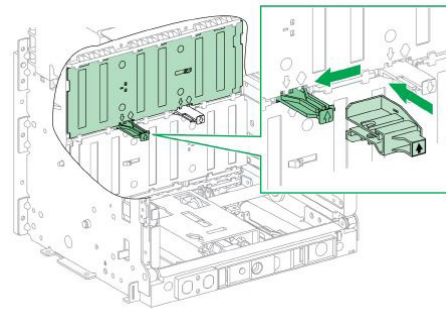
The top and bottom safety shutters on MasterPact NW40b-63 devices can be locked together.

Remove the shutter locking blocks stored in the chassis.

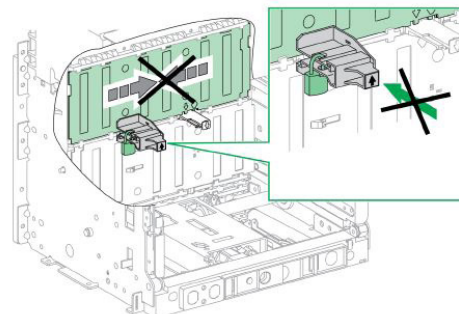


Place the shutter locking blocks in the appropriate guides:

- To lock the top safety shutter, install a shutter locking block on the shutter mechanism on the left.
- To lock the bottom safety shutter, install a shutter locking block on the shutter mechanism on the right.

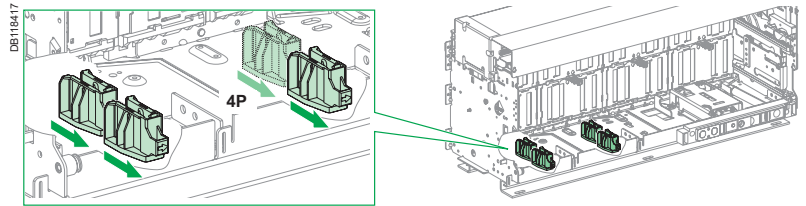


Insert a padlock in each shutter locking block tab and close the padlock.



Locking the safety shutters Padlocking inside the chassis (MasterPact NW40b-63)

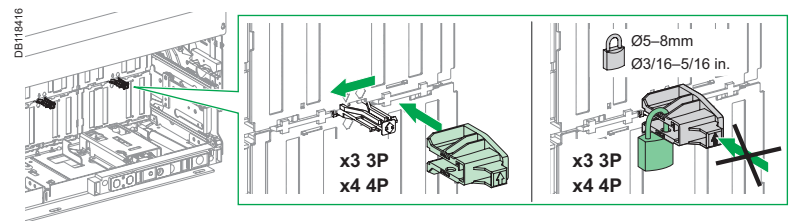
Remove the shutter locking blocks stored in the chassis.



Place a locking block on each of the shutter mechanisms. One shutter mechanism per phase:

- Three shutter locking blocks to lock the 3P device safety shutters.
- Four shutter locking blocks to lock the 4P device safety shutters.

Insert a padlock in each shutter locking block tab and close the padlock.

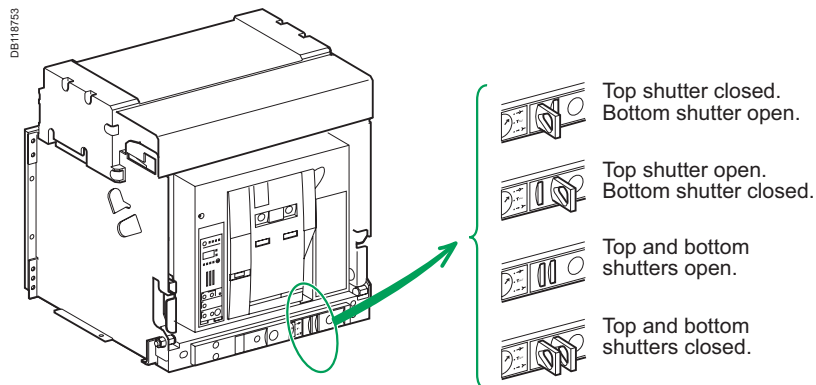


Locking the safety shutters

Padlocking of position indication on the front (MasterPact NW08-40)

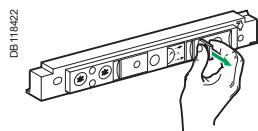
This system offers two functions:

- padlocking of the top or bottom shutters
- indication of the position of each shutter:
 - shutter open
 - shutter closed.

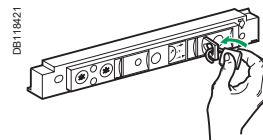


Locking

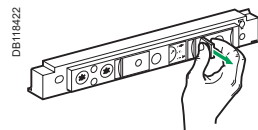
Pull out the left-hand tab to lock the top shutter.



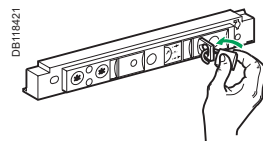
Insert a padlock (shackle 5 to 8 mm).



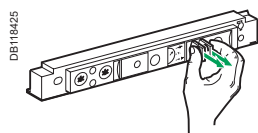
Pull out the right-hand tab to lock the bottom shutter.



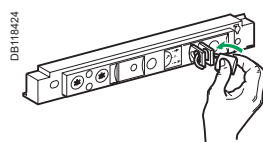
Insert a padlock (shackle 5 to 8 mm).



Pull out both tabs to lock both shutters.

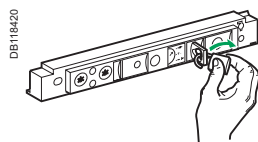


Insert a padlock (shackle 5 to 8 mm).

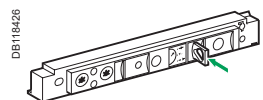


Unlocking

Remove the padlock.



Release the tab(s).



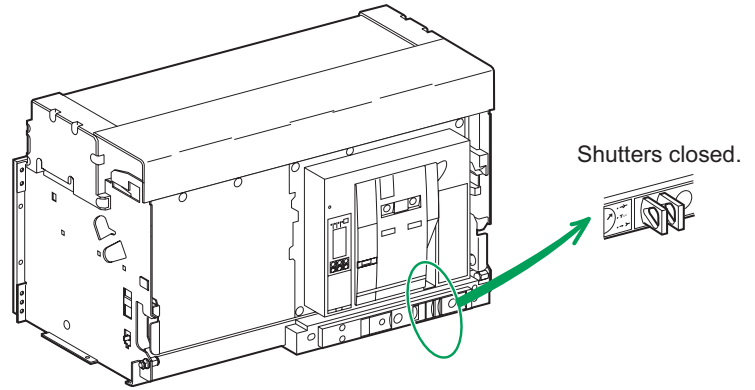
Locking the safety shutters

Padlocking of position indication on the front (MasterPact NW40b-63)

This system offers two functions:

- padlocking of the safety shutters
- indication of the position of the safety shutters:
 - shutters open
 - shutters closed.

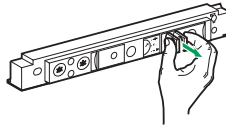
DB118763



Locking

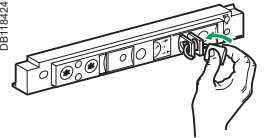
Pull out the tab
to lock shutters.

DB118425



Insert a padlock
(shackle 5 to 8 mm).

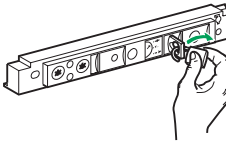
DB118424



Unlocking

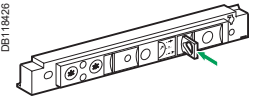
Remove the padlock.

DB118420



Release the tab.

DB118426



DE119170

CD3	CD2	CD1	or	CE6	CE5	CE4
834	824	814		364	354	344
832	822	812		362	352	342
831	821	811		361	351	341

Com	UC1	UC2	UC3	UC4	M2C/M6C	SDE2/Res.	SDE1	CE3	CE2	CE1
E5 E6	Z5 M1	M2 M3	F2 +	V3	484/Q3	184/K2	84	334	324	314
E3 E4	Z3 Z4	T3 T4	VN	V2	474/Q2	182	82	332	322	312
E1 E2	Z1 Z2	T1 T2	F1 -	V1	471/Q1	181/K1	81	331	321	311

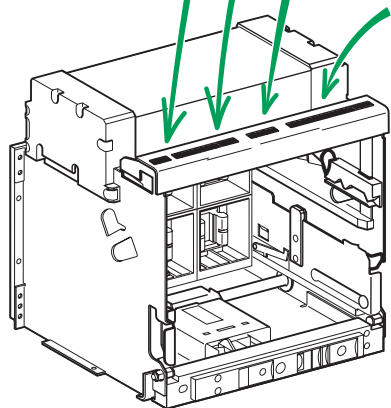
MN/MX2	MX1	XF	PF	MCH
D2/C12	C2	A2	254	B2
/C13	C3	A3	252	B3
D1/C11	C1	A1	251	B1

OF24	OF23	OF22	OF21	OF14	OF13	OF12	OF11	OF4	OF3	OF2	OF1	CT3	CT2	CT1
244	234	224	214	144	134	124	114	44	34	24	14	934	924	914
242	232	222	212	142	132	122	112	42	32	22	12	932	922	912
241	231	221	211	141	131	121	111	41	31	21	11	931	921	911

EF24	EF23	EF22	EF21	EF14	EF13	EF12	EF11
248	238	228	218	148	138	128	118
246	236	226	216	146	136	126	116
245	235	225	215	145	135	125	115

CE9	CE8	CE7
394	384	374
392	382	372
391	381	371

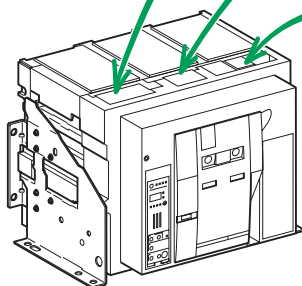
CD6	CD5	CD4
864	854	844
862	852	842
861	851	841



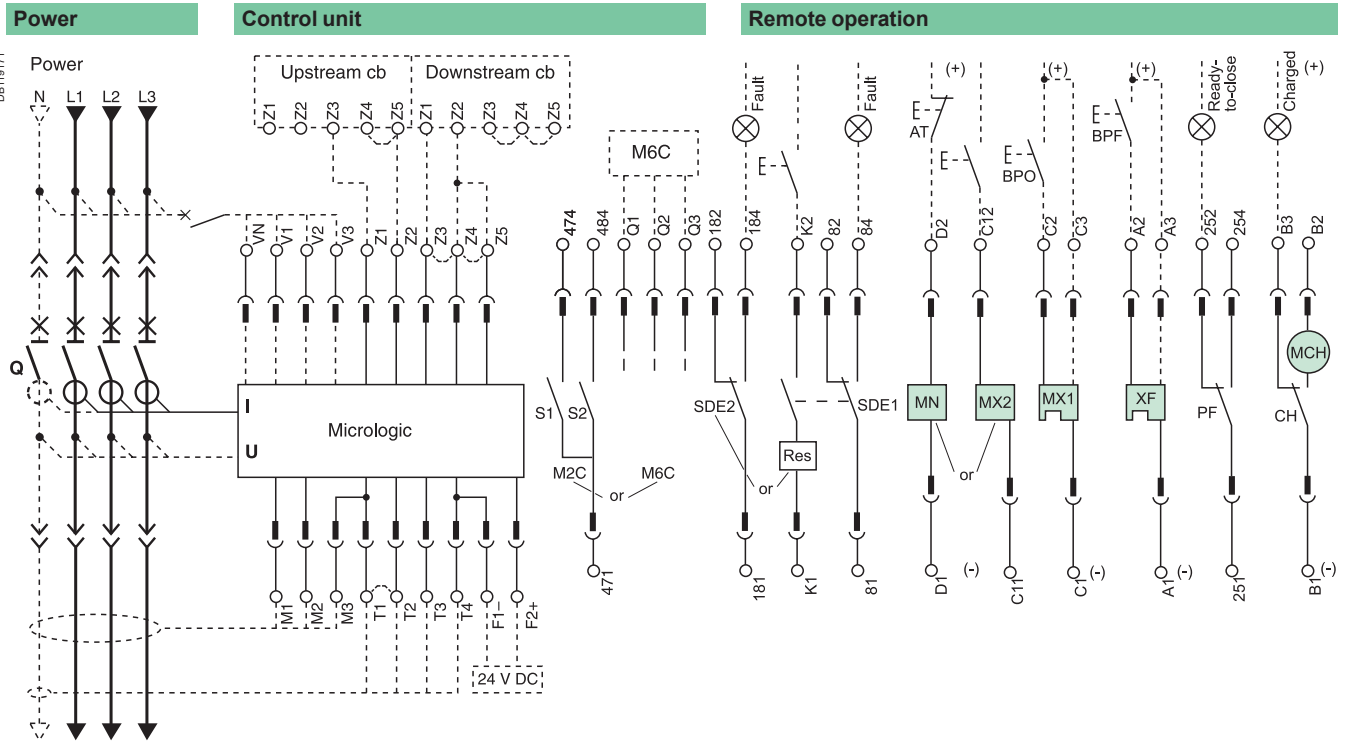
Com	UC1	UC2	UC3	UC4	M2C/M6C	SDE2/Res.	SDE1
E5 E6	Z5 M1	M2 M3	F2 +	V3	484/Q3	184/K2	84
E3 E4	Z3 Z4	T3 T4	VN	V2	474/Q2	182	82
E1 E2	Z1 Z2	T1 T2	F1 -	V1	471/Q1	181/K1	81

MN/MX2	MX1	XF	PF	MCH
D2/C12	C2	A2	254	B2
/C13	C3	A3	252	B3
D1/C11	C1	A1	251	B1

OF24	OF23	OF22	OF21	OF14	OF13	OF12	OF11	OF4	OF3	OF2	OF1
244	234	224	214	144	134	124	114	44	34	24	14
242	232	222	212	142	132	122	112	42	32	22	12
241	231	221	211	141	131	121	111	41	31	21	11



The diagram is shown with circuits de-energised, all devices open, connected and charged and relays in normal position.



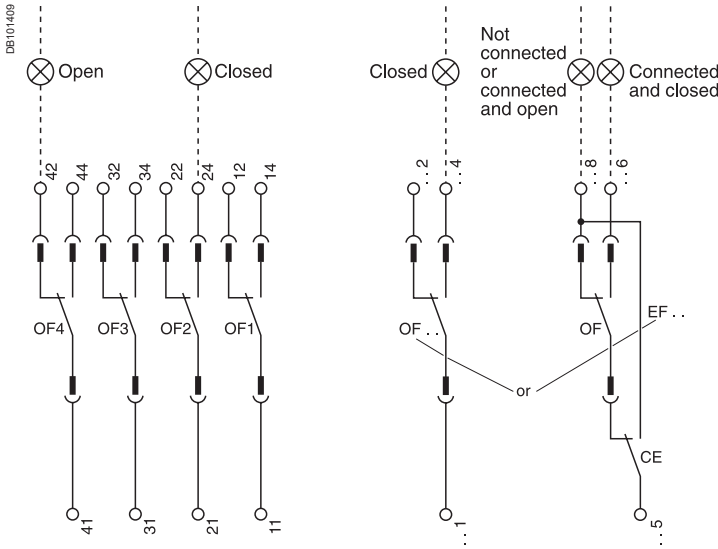
Control unit					
Com	UC1	UC2	UC3	UC4	M2C / M6C
○ ○ E5 E6	○ ○ Z5 M1	○ ○ M2 M3	○ ○ F2+ V3	○ ○ V3	○ ○ 484 / Q3
○ ○ E3 E4	○ ○ Z3 Z4	○ ○ T3 T4	○ ○ VN	○ ○ V2	○ ○ 474 / Q2
○ ○ E1 E2	○ ○ Z1 Z2	○ ○ T1 T2	○ ○ F1- V1	○ ○ V1	○ ○ 471 / Q1

Remote operation						
SDE2 / Res	SDE1	MN / MX2	MX1	XF	PF	MCH
○ ○ 184 / K2	○ ○ 84	○ ○ D2 / C12	○ ○ C2	○ ○ A2	○ ○ 254	○ ○ B2
○ ○ 182	○ ○ 82	○ ○	○ ○ C3	○ ○ A3	○ ○ 252	○ ○ B3
○ ○ 181 / K1	○ ○ 81	○ ○ D1 / C11	○ ○ C1	○ ○ A1	○ ○ 251	○ ○ B1

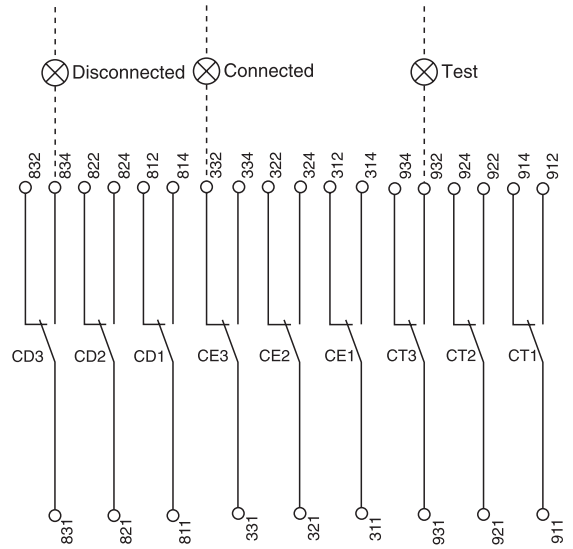
A	E	P	H	Control unit	Remote operation
■	■	■	■	Com: E1-E6 communication	SDE2: Fault-trip indication contact or Res: Remote reset
■	■	■	■	UC1: Z1-Z5 zone selective interlocking; Z1 = ZSI OUT SOURCE Z2 = ZSI OUT; Z3 = ZSI IN SOURCE Z4 = ZSI IN ST (short time) Z5 = ZSI IN GF (earth fault) M1 = Vigi module input (MicroLogic 7)	SDE1: Fault-trip indication contact (supplied as standard)
■	■	■	■	UC2: T1, T2, T3, T4 = external neutral; M2, M3 = Vigi module input (MicroLogic 7)	MN: Undervoltage release or MX2: Shunt release
■	■	■	■	UC3: F2+, F1- external 24 V DC power supply VN external voltage connector	MX1: Shunt release (standard or communicating)
■	■ ⁽¹⁾	■	■	UC4: V1, V2, V3 optional external voltage protector	XF: Closing release (standard or communicating)
■	■	■	■	M2C: 2 programmable contacts (internal relay); or ext. 24 V DC power supply required	PF: "Ready to close" contact
■	■	■	■	M6C: 6 programmable contact (external relay); 24 V DC power supply required	MCH: Gear motor.
					Note: When communicating MX or XF releases are used, the third wire (C3, A3) must be connected even if the communications module is not installed.

A : Digital ammeter, E: A + energy
P : E + power meter + programmable protection, H : P + harmonics

Indication contacts



Chassis contacts



Indication contacts

OF4	OF3	OF2	OF1	OF24	OF23	OF22	OF21	OF14	OF13	OF12	OF11
44	34	24	14	244	234	224	214	144	134	124	114
42	32	22	12	242	232	222	212	142	132	122	112
41	31	21	11	241	231	221	211	141	131	121	111
or											
EF24	EF23	EF22	EF21	EF14	EF13	EF12	EF11				
248	238	228	218	148	138	128	118				
246	236	226	216	146	136	126	116				
245	235	225	215	145	135	125	115				

Chassis contacts

CD3	CD2	CD1	CE3	CE2	CE1	CT3	CT2	CT1
834	824	814	334	324	314	934	924	914
832	822	812	332	322	312	932	922	912
831	821	811	331	321	311	931	921	911
or						or		
CE6	CE5	CE4				CE9	CE8	CE7
364	354	344				394	384	374
362	352	342				392	382	372
361	351	341				391	381	371

Indication contacts

- OF4:** ON/OFF indication contacts
- OF3:** indication contacts
- OF2:** indication contacts
- OF1:** indication contacts
- OF24 or EF24:** ON/OFF indication contacts
- OF23 or EF23:** Combined "connected/closed" indication contacts
- OF22 or EF22:** indication contacts
- OF21 or EF21:** indication contacts
- OF14 or EF14:** indication contacts
- OF13 or EF13:** indication contacts
- OF12 or EF12:** indication contacts
- OF11 or EF11:** indication contacts

Chassis contacts

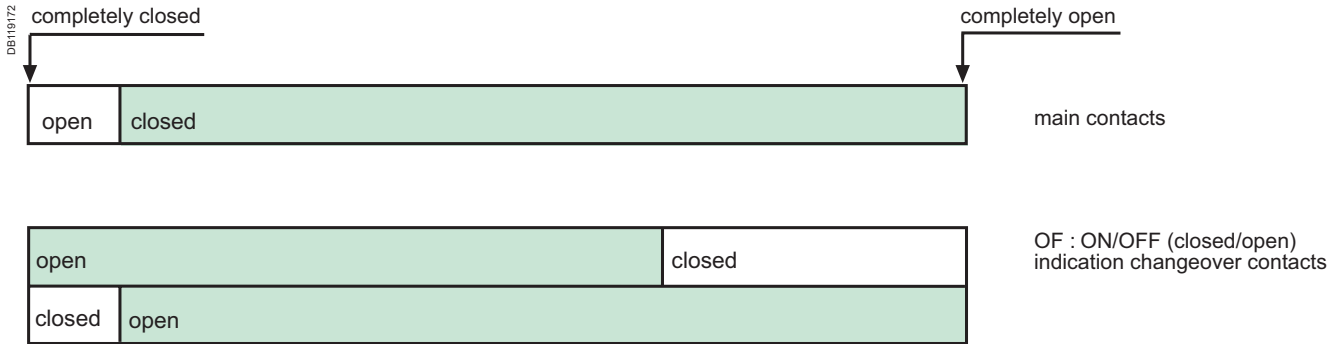
- CD3:** Disconnected -position contacts
- CD2:** Disconnected -position contacts
- CD1:** Disconnected -position contacts
- CE3:** Contacts de position "embroché"
- CE2:** Contacts de position "embroché"
- CE1:** Contacts de position "embroché"
- CT3:** Test-position contacts
- CT2:** Test-position contacts
- CT1:** Test-position contacts
- or**
- CE6:** Connected position contacts
- CE5:** Connected position contacts
- CE4:** Connected position contacts
- CE9:** Connected position contacts
- CE8:** Connected position contacts
- CE7:** Connected position contacts
- or**
- CD6:** Disconnected -position contacts
- CD5:** Disconnected -position contacts
- CD4:** Disconnected -position contacts

Key:

- Drawout device only
- SDE1, OF1, OF2, OF3, OF4 supplied as standard
- Interconnected connections (only one wire per connection point)

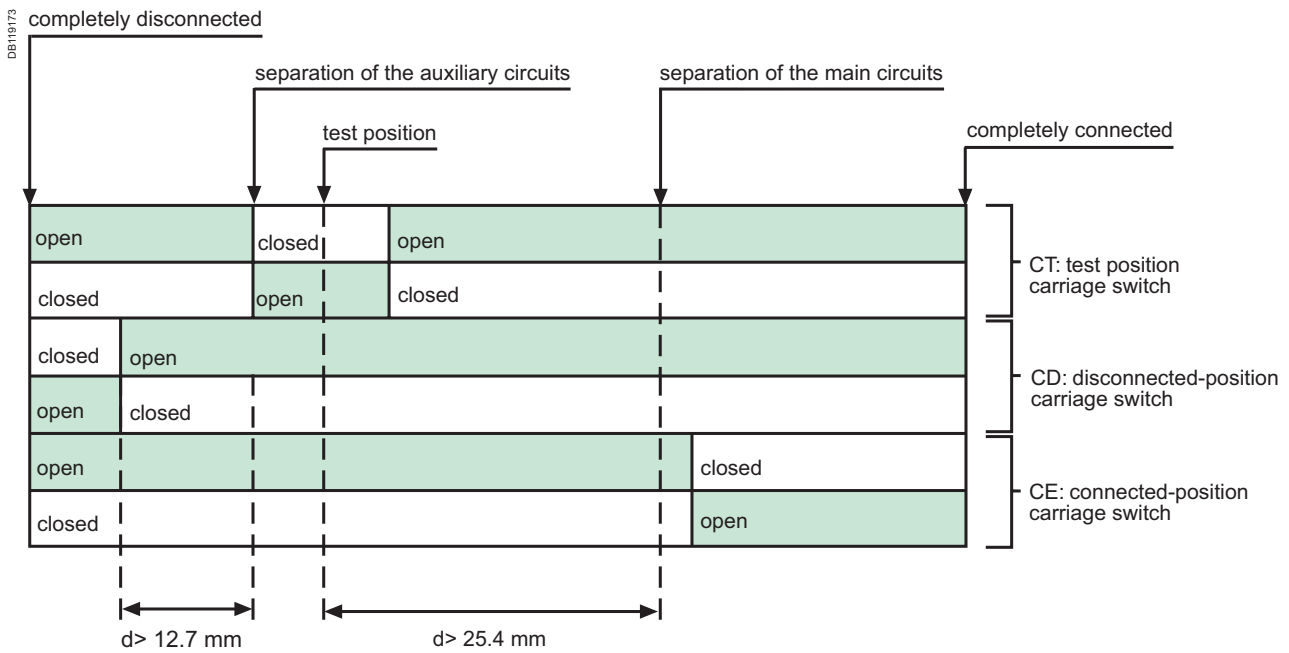
The ON/OFF indication contacts signal the status of the device main contacts.

Circuit breaker



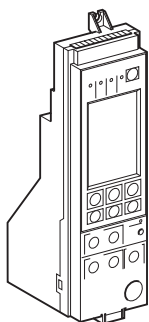
The carriage switches indicate the "connected", "test" and "disconnected" positions.

Chassis



For the spare parts list, see the MasterPact NT/NW catalogue. For more in-depth information, see the control-unit user manual.

E46108A



MicroLogic control units

- All MasterPact circuit breakers are equipped with a MicroLogic control unit. Control units are designed to protect power circuits and loads. Alarms may be programmed for remote indications.
 - MicroLogic 2.0 A
 - MicroLogic 5.0 A
 - MicroLogic 6.0 A
 - MicroLogic 7.0 A
 - MicroLogic 2.0 E
 - MicroLogic 5.0 E
 - MicroLogic 6.0 E
 - MicroLogic 5.0 P
 - MicroLogic 6.0 P
 - MicroLogic 7.0 P
 - MicroLogic 5.0 H
 - MicroLogic 6.0 H
 - MicroLogic 7.0 H
- Depending on the model, control units offer in addition:
 - fault indications
 - measurement of electrical parameters (current, voltage, power, etc)
 - harmonic analysis
 - communication.

Long-time rating plugs

- Standard accessory, one per control unit.
 - 0.4 to 1 x I_r setting
 - 0.4 to 0.8 x I_r setting
 - 0.8 to 1 x I_r setting
 - Off (no long-time protection).
- The plugs determine the setting range for the Long-time protection.

M2C and M6C programmable contacts

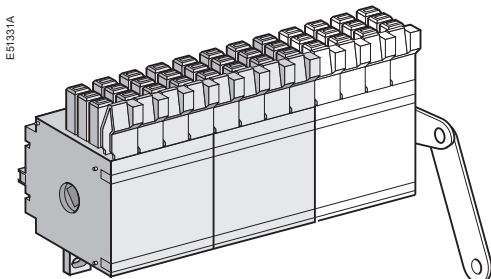
- Optional accessory, used with MicroLogic P and H control units.
 - M2C: 2 programmable contacts
 - M6C: 6 programmable contacts
- Contacts can be programmed using the keypad on the control unit or via the COM option.
 - They indicate:
 - the type of fault
 - instantaneous or delayed threshold overruns.
- M2C: 2 contacts (6 A-240 V)
 - M6C: 6 contacts (6 A-240 V).
 - Permissible load on each of the M6C relay outputs;
 - 240 V AC: 5 A where p.f = 0.7
 - 380 V AC: 3 A where p.f = 0.7
 - 24 V DC: 8 A where L/R = 0
 - 48 V DC: 1.5 A where L/R = 0
 - 125 V DC: 0.4 A where L/R = 0
 - 250 V DC: 0.15 A where L/R = 0
 - M6C supply voltage: 24 V DC ± 5%
 - M6C maximum consumption: 100 mA

ON/OFF indication contacts (OF)

- Standard accessory: 4 OF per device.
- OF contacts indicate the position of main contacts
- They switch when the minimum isolation distance between the main contacts is reached.
- 4 changeover contacts
- Rated current: 10 A.
- Breaking capacity 50/60 Hz for AC power (AC12 as per IEC 60947-5-1):
 - 480 V: 10 A (rms)
 - 600 V: 6 A (rms).
- Breaking capacity for DC power (DC12 as per IEC 60947-5-1): 250 V: 3 A.

Additional ON/OFF indication contacts (OF)

- Optional accessory, two blocks of 4 OF contacts per device
- Terminal blocks (not included):
 - for fixed device
 - for drawout device.
- OF contacts indicate the position of the main contacts
- They switch when the minimum isolation distance between the main contacts is reached
- Changeover contacts
- Rated current: 6 A
- Breaking capacity 50/60 Hz for AC power (AC12 as per IEC 60947-5-1):
 - 480 V: 10 A (rms)
 - 600 V: 6 A (rms)
- Breaking capacity for DC power (DC12 as per IEC 60947-5-1): 250 V: 3 A.

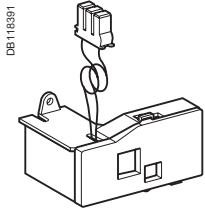


Combined "connected/closed" contacts (EF)

- Optional accessory, 8 EF contacts per device
- Each contact is mounted in place of the connector of an additional OF contact
- One EF contact.
- The contact combines the "device connected" and the "device closed" information to produce the "circuit closed" information.
- Changeover contacts
- Rated current: 6 A
- Breaking capacity 50/60 Hz for AC power (AC12 as per IEC 60947-5-1):
 - 240 V: 6 A (rms)
 - 380 V: 6 A (rms)
 - 480 V: 6 A (rms)
 - 600 V: 6 A (rms)
- Breaking capacity for DC power (DC12 as per IEC 60947-5-1):
 - 48 V: 2.5 A
 - 130 V: 0.8 A
 - 250 V: 0.3 A.

"Fault-trip" indication contact (SDE1)

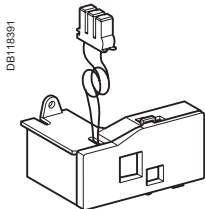
- Standard accessory on circuit breakers, one SDE1 contact per device
- Not available for switch-disconnector versions (except for NW HF and HH).
- The contact provides a remote indication of device opening due to an electrical fault.
- Changeover contact
- Rated current: 6 A
- Breaking capacity 50/60 Hz for AC power (AC12 as per IEC 60947-5-1):
 - 240 V: 6 A (rms)
 - 380 V: 6 A (rms)
 - 480 V: 2 A (rms)
- Breaking capacity for DC power (DC12 as per IEC 60947-5-1):
 - 48 V: 3 A
 - 125 V: 0.3 A
 - 250 V: 0.15 A.



DE118391

Additional "fault-trip" indication contact (SDE2)

- Optional accessory for circuit breakers, one additional SDE2 contact per device
- Not available for switch-disconnector versions (except for NW HF and HH).
- Not compatible with the Res option
- The contact remotely indicates device tripping due to an electrical fault.
- Changeover contact
- Rated current: 6 A
- Breaking capacity 50/60 Hz for AC power (AC12 as per IEC 60947-5-1):
 - 240 V: 6 A (rms)
 - 380 V: 6 A (rms)
 - 480 V: 2 A (rms)
- Breaking capacity for DC power (DC12 as per IEC 60947-5-1):
 - 48 V: 3 A
 - 125 V: 0.3 A
 - 250 V: 0.15 A.



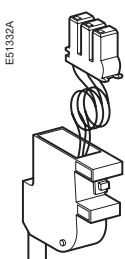
DB118391

Electrical reset after fault trip (Res)

- Optional accessory, one Res per device
- Not compatible with the SDE2 option
- Power supply:
 - 110/130 V AC
 - 220/240 V AC
- The contact remotely resets the device following tripping due to an electrical fault.

"Springs charged" limit switch contact (CH)

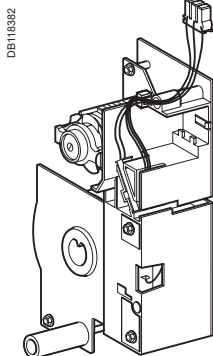
- Standard accessory, one CH contact per device.
- The contact indicates the "charged" status of the operating mechanism (springs charged).
- Changeover contact
- Rated current: 10 A
- Breaking capacity 50/60 Hz for AC power (AC12 as per IEC 60947-5-1):
 - 240 V: 10 A (rms)
 - 380 V: 5 A (rms)
 - 480 V: 5 A (rms)
 - 600 V: 3 A (rms)
- Breaking capacity for DC power (DC12 as per IEC 60947-5-1):
 - 48 V: 3 A
 - 125 V: 0.3 A
 - 250 V: 0.25 A.



E51332A

"Ready to close" contact (PF)

- Optional accessory, one PF contact per device
- The contact indicates that the device may be closed because all the following are valid:
 - circuit breaker is open
 - spring mechanism is charged
 - a maintained closing order is not present
 - a maintained opening order is not present.
- Changeover contact
- Rated current: 10 A
- Breaking capacity 50/60 Hz for AC power (AC12 as per IEC 60947-5-1):
 - 240 V: 10 A (rms)
 - 380 V: 5 A (rms)
- Breaking capacity for DC power (DC12 as per IEC 60947-5-1):
 - 48 V: 3 A
 - 125 V: 0.3 A
 - 250 V: 0.15 A.



Gear Motor MCH

■ Optional accessory, one MCH gear motor per device

■ Power supply :

□ V AC 50/60 Hz:

- 48/60 V AC

- 100/130 V AC

- 200/240 V AC

- 277 V AC

- 380/415 V AC

- 400/440 V AC

- 480 V AC

□ V DC:

- 24/30 V DC

- 48/60 V DC

- 100/125 V DC

- 200/250 V DC

■ The gear motor automatically charges and recharges the spring mechanism.

■ Charging time: 4 seconds max.

■ Consumption:

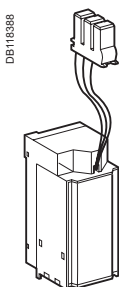
□ 180 VA AC

□ 180 W DC

■ Inrush current:

2 to 3 In for 0.1 second

■ Operating rate: maximum 3 cycles per minute.



Opening releases MX1 and MX2, closing release XF

■ Optional accessory,

1 or 2 MX releases per device, 1 XF per device

□ The function (MX or XF) is determined by

where the coil is installed

■ Power supply :

□ V AC 50/60 Hz:

- 24 V AC

- 48 V AC

- 100/130 V AC

- 200/250 V AC

- 277 V AC

- 380/480 V AC

□ V DC:

- 12 V DC

- 24/30 V DC

- 48/60 V DC

- 100/130 V DC

- 200/250 V DC

■ The MX release instantaneously opens the circuit breaker when energised

■ The XF release instantaneously closes the circuit breaker when energised, if the device is "ready to close".

■ Device response time:

□ MX: 50 ms ± 10

□ XF: 70 ms +10 / -15

> 3200 A: 80 ms ± 10

■ Operating threshold:

□ MX: 0.7 to 1.1 x Un

□ XF: 0.85 to 1.1 x Un

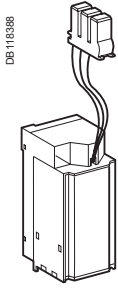
■ The supply can be maintained

■ Consumption:

□ pick-up (80 ms):

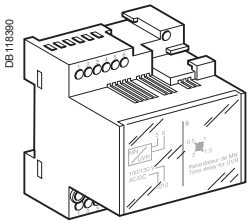
200 VA

□ hold: 4.5 VA.



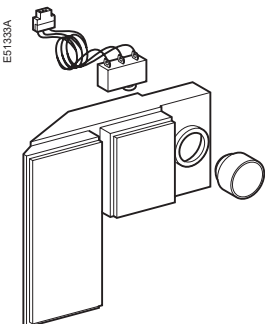
Instantaneous undervoltage releases (MN)

- Optional accessory, 1 MN per device
- Not compatible with the MX2 opening release
- Power supply :
 - V AC 50/60 Hz:
 - 24 V AC
 - 48 V AC
 - 100 / 130 V AC
 - 200 / 250 V AC
 - 380 / 480 V AC
 - V DC:
 - 24 / 30 V DC
 - 48 / 60 V DC
 - 100 / 130 V DC
 - 200 / 250 V DC
- The MN release instantaneously opens the circuit breaker when its supply voltage drops.
- Device response time: 90 ms ±5
- Operating threshold:
 - opening: 0.35 to 0.7 x Un
 - closing: 0.85 x Un
- Consumption:
 - pick-up (80 ms): 200 VA
 - hold: 4.5 VA.



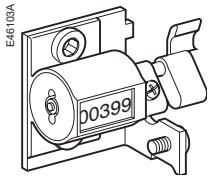
Delay unit for MN releases

- Optional accessory, 1 MNR with delay unit per device.
- Delay-unit (must be ordered in addition to the MN):
 - 48/60 V AC 50/60 Hz / DC
 - 100/130 V AC 50/60 Hz / DC
 - 200/250 V AC 50/60 Hz / DC
 - 380/480 V AC 50/60 Hz / DC.
- The unit delays operation of the MN release to eliminate circuit-breaker nuisance tripping during short voltage dips
- The unit is wired in series with the MN and must be installed outside the circuit breaker.
- Device response time: 0.5, 1, 1.5, 3 seconds
- Operating threshold:
 - opening: 0.35 to 0.7 x Un
 - closing: 0.85 x Un
- Consumption:
 - pick-up (80 ms): 200 VA
 - hold: 4.5 VA.



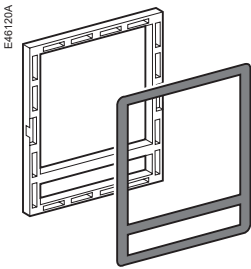
Electrical closing pushbutton (BPFE)

- Optional accessory, 1 BPFE per device
- Located on the front face of the device, this pushbutton carries out electrical closing of the circuit breaker via the XF release, taking into account all the safety functions that are part of the control/monitoring system of the installation.



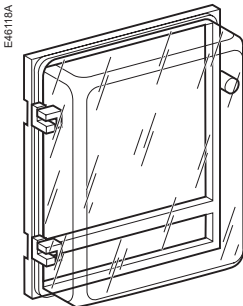
Operation counter (CDM)

- Optional accessory, one CDM per device.
- The operation counter sums the number of operating cycles.



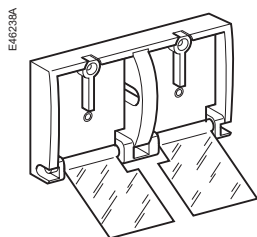
Escutcheon (CDP)

- Optional accessory, one CDP per device
 - for fixed device
 - for drawout device.
- The CDP increases the degree of protection to IP 40 and IK 07 (fixed and drawout devices).



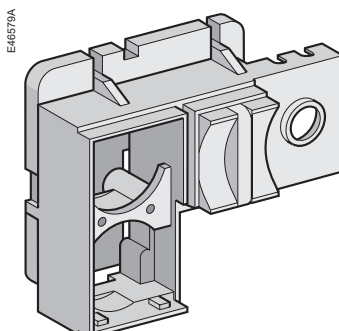
Transparent cover (CCP)

- Optional accessory, one CP per device equipped with a CDP (for fixed and drawout devices).
- Mounted with a CDP, the CP increases the degree of protection to IP 55 and IK 10 (fixed and drawout devices).



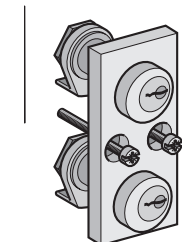
Transparent cover for pushbutton locking using a padlock, lead seal or screws

- Optional accessory, one locking cover per device.
- The transparent cover blocks access (together or separately) to the pushbuttons used to open and close the device
- Locking requires a padlock, a lead seal or two screws.



Device locking in the OFF position using a padlock

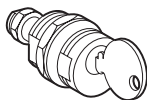
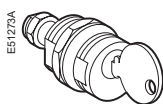
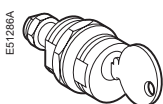
- Optional accessory, one locking system per device.
- The unit inhibits local or remote closing of the device
- Up to three padlocks may be used for locking.



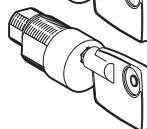
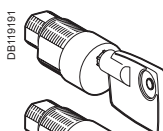
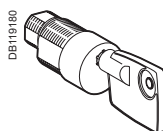
Device OFF position locking kit for keylocks

- Optional accessory, one locking kit per device
- Locks not included:
 - for Profalux or Ronis keylocks
 - for Castell keylocks
 - for Kirk keylocks.
- The kit inhibits local or remote closing of the device.

Ronis

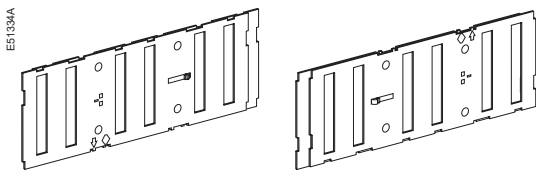


Profalux



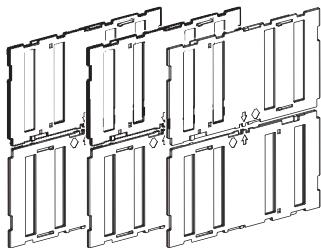
Keylocks required for the device OFF position locking kit

- One or two keylocks per locking kit
- Ronis:
 - 1 keylock
 - 2 keylocks.
- Profalux:
 - 1 keylock
 - 2 keylocks.



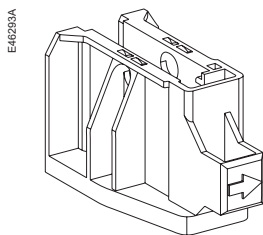
Safety shutters for MasterPact NW08-40

- Standard accessories, provided on every chassis: one top shutter and one bottom shutter for 3-pole and 4-pole devices.
- The safety shutters automatically block the access to the disconnecting contact cluster when the device is in the "disconnected" or "test" positions.
- IP20.



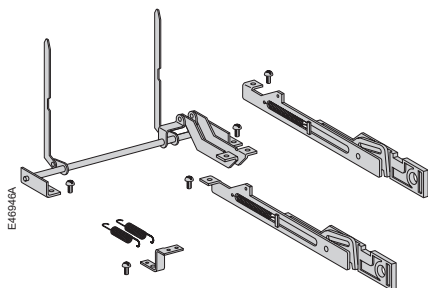
Safety shutters for MasterPact NW40b-63

- Standard accessories, provided on every chassis: one top shutter and one bottom shutter per pole.
- The safety shutters automatically block the access to the disconnecting contact cluster when the device is in the "disconnected" or "test" positions.
- IP20.



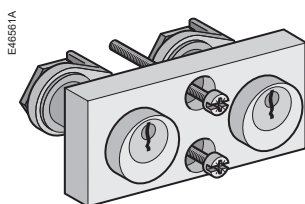
Shutter locking blocks

- Optional accessory:
 - 2 blocks for NW08-40, 3-pole and 4-pole devices,
 - 3 blocks for NW40b-63 3-pole devices,
 - 4 blocks for NW40b-63 4-pole devices.
- The block may be padlocked. It:
 - prevents connection of the device
 - locks the shutters in the closed position.



Shutter position indication and locking on front face

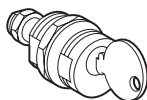
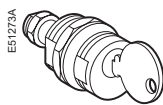
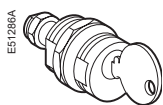
- Optional accessory:
 - For NW08-40 3-pole and 4-pole devices
 - For NW40b-63 3-pole and 4-pole devices
- This option located on the front of the chassis:
 - indicates that the shutters are closed
 - can be used on NW08-40 to independently or simultaneously padlock the two shutters (top and bottom)
 - can be used on NW40b-63 to simultaneously padlock all top and bottom shutters.



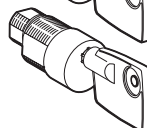
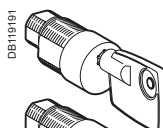
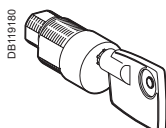
Chassis locking in "disconnected" position

- Optional accessory, one locking system per device
 - for Profalux or Ronis keylocks
 - for Castell keylocks
 - for Kirk keylocks.
- Mounted on the chassis and accessible with the door closed, this system locks the chassis in "disconnected" position using one or two keylocks
- The "disconnected" position locking system may be modified to lock the circuit breaker in all three positions.

Ronis



Profalux

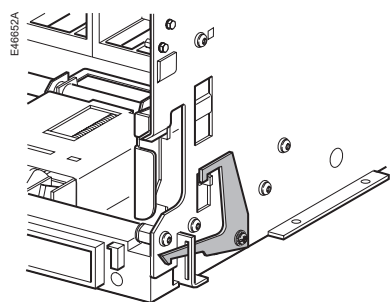


Keylocks required with the "disconnected" position locking system

- One or two keylocks per locking system
- Ronis:
 - 1 keylock
 - 2 keylocks
- Profalux:
 - 1 keylock
 - 2 keylocks.
- Adaptation kits alone are available for Kirk and Castell keylocks.

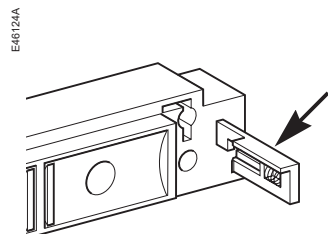
Door interlock

- Optional accessory, one door interlock per chassis.
- This device inhibits opening of the cubicle door when the circuit breaker is in "connected" or "test" position.
- It may be mounted on the left or right-hand side of the chassis.



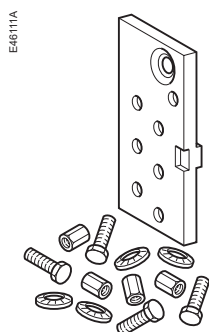
Racking interlock

- Optional accessory, one racking interlock per chassis.
- This device prevents insertion of the racking handle when the cubicle door is open.
- It is mounted on the right-hand side of the chassis.



Mismatch protection

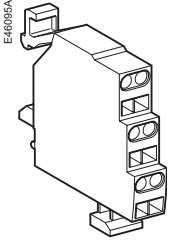
- Optional accessory, one mismatch protection device per chassis.
- Mismatch protection offers twenty different combinations that the user may select to ensure that only a compatible circuit breaker is mounted on a given chassis.



Auxiliary terminal shield (CB)

- Optional accessory, one CB shield per chassis
- The shield prevents access to the terminal block of the electrical auxiliaries.





"Connected", "disconnected" and "test" position carriage switches (CE, CD, CT)

- Optional accessory, one to nine carriage switches
- Standard configuration, 0 to 3 CE, 0 to 3 CD, 0 to 3 CT
- Other configurations (by ordering additional actuators):
 - 0 to 9 CE, 0 CD, 0 CT
 - 0 to 6 CE, 0 to 3 CD, 0 CT
 - 0 to 6 CE, 0 CD, 0 to 3 CT
- Connection cables not included, see below:
 - 1 carriage switch
 - 1 set of actuators for additional carriage switches
- Connection cables (per carriage switch).
- The carriage switches indicate the three positions:
 - CE: connected position
 - CD: disconnected position (when the minimum isolation distance between the main contacts and the auxiliary contacts is reached)
 - CT: test position.
- Changeover contact
- Rated current: 10 A
- Breaking capacity 50/60 Hz for AC power (AC12 as per IEC 60947-5-1):
 - 240 V: 10 A (rms)
 - 380 V: 5 A (rms)
- Breaking capacity for DC power (DC12 as per IEC 60947-5-1): 250 V: 0.3 A.

These operations must be carried out in particular before using a MasterPact device for the first time.

A general check of the circuit breaker takes only a few minutes and avoids any risk of mistakes due to errors or negligence.

A general check must be carried out:

- Prior to initial use
- Following an extended period during which the circuit breaker is not used.

Toute A check must be carried out with the entire switchboard de-energised.

In switchboards with compartments, only those compartments that may be accessed by the operators must be de-energised.

Electrical tests

Insulation and dielectric-withstand tests must be carried out immediately after delivery of the switchboard. These tests are precisely defined by international standards and must be directed and carried out by a qualified expert.

Prior to running the tests, it is absolutely necessary to:

- Disconnect all the electrical auxiliaries of the circuit breaker (MCH, MX, XF, MN, Res electrical remote reset)
- Remove the long-time rating plug on the 7.0 A, 5.0 P, 6.0 P, 7.0 P, 5.0 H, 6.0 H, 7.0 H control units. Removal of the rating plug disconnects the voltage measurement input.

Switchboard inspection

Check that the circuit breakers are installed in a clean environment, free of any installation scrap or items

(tools, electrical wires, broken parts or shreds, metal objects, etc.).

Conformity with the installation diagram

Check that the devices conform with the installation diagram:

- Breaking capacities indicated on the rating plates
- Identification of the control unit (type, rating)
- Presence of any optional functions (remote ON/OFF with motor mechanism, auxiliaries, measurement and indication modules, etc.)
- Protection settings (long time, short time, instantaneous, earth fault)
- Identification of the protected circuit marked on the front of each circuit breaker.

Condition of connections and auxiliaries

Check device mounting in the switchboard and the tightness of power connections.

Check that all auxiliaries and accessories are correctly installed:

- Electrical auxiliaries
- Terminal blocks
- Connections of auxiliary circuits.

Operation

Check the mechanical operation of the circuit breakers:

- Opening of contacts
- Closing of contacts.

Check on the control unit

Check the control unit of each circuit breaker using the respective user manuals.

These operations must be carried out in particular before using a MasterPact device for the first time.

A general check of the circuit breaker takes only a few minutes and avoids any risk of mistakes due to errors or negligence.

A general check must be carried out:

- Prior to initial use
- Following an extended period during which the circuit breaker is not used.

Toute A check must be carried out with the entire switchboard de-energised.

In switchboards with compartments, only those compartments that may be accessed by the operators must be de-energised.

Electrical tests

Insulation and dielectric-withstand tests must be carried out immediately after delivery of the switchboard. These tests are precisely defined by international standards and must be directed and carried out by a qualified expert.

Prior to running the tests, it is absolutely necessary to:

- Disconnect all the electrical auxiliaries of the circuit breaker (MCH, MX, XF, MN, Res electrical remote reset)
- Remove the long-time rating plug on the 7.0 A, 5.0 P, 6.0 P, 7.0 P, 5.0 H, 6.0 H, 7.0 H control units. Removal of the rating plug disconnects the voltage measurement input.

Switchboard inspection

Check that the circuit breakers are installed in a clean environment, free of any installation scrap or items

(tools, electrical wires, broken parts or shreds, metal objects, etc.).

Conformity with the installation diagram

Check that the devices conform with the installation diagram:

- Breaking capacities indicated on the rating plates
- Identification of the control unit (type, rating)
- Presence of any optional functions (remote ON/OFF with motor mechanism, auxiliaries, measurement and indication modules, etc.)
- Protection settings (long time, short time, instantaneous, earth fault)
- Identification of the protected circuit marked on the front of each circuit breaker.

Condition of connections and auxiliaries

Check device mounting in the switchboard and the tightness of power connections.

Check that all auxiliaries and accessories are correctly installed:

- Electrical auxiliaries
- Terminal blocks
- Connections of auxiliary circuits.

Operation

Check the mechanical operation of the circuit breakers:

- Opening of contacts
- Closing of contacts.

Check on the control unit

Check the control unit of each circuit breaker using the respective user manuals.

What to do when the circuit breaker trips

Note the fault

Faults are signalled locally and remotely by the indicators and auxiliary contacts installed on circuit breakers (depending on each configuration). See page 12 in this manual and the user manual of the control unit for information on the fault indications available with your circuit breaker.

Identify the cause of tripping

A circuit must never be reclosed (locally or remotely) before the cause of the fault has been identified and cleared.

A fault may have a number of causes:

- depending on the type of control unit, fault diagnostics are available. See the user manual for the control unit.
- depending on the type of fault and the criticality of the loads, a number of precautionary measures must be taken, in particular the insulation and dielectric tests on a part of or the entire installation. These checks and test must be directed and carried out by qualified personnel.

Inspect the circuit breaker following a short-circuit

- Check the arc chutes (see page 43).
- Check the contacts (see page 43).
- Check the tightness of connections (see the device installation manual).
- Check the disconnecting-contact clusters (see page 44).

Reset the circuit breaker

The circuit breaker can be reset locally or remotely.

See page 12 in this manual for information on how the circuit breaker can be reset.



Keep your MasterPact NT/NW features year after year by performing requested maintenance.

To ensure that your protective device retains the operating and safety characteristics specified in the catalogs for the whole of its service life, Schneider Electric recommends that routine inspections and periodic maintenance should be carried out by qualified personnel in accordance with the instructions in the MasterPact maintenance guide.

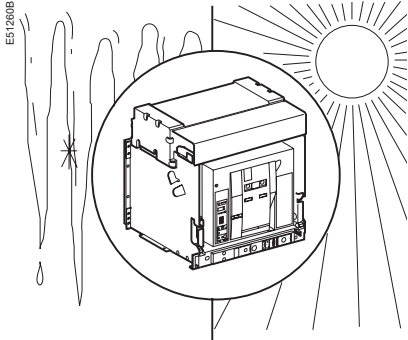
The Maintenance Guide LVPED508016EN can be downloaded from the www.se.com website and provides detailed information on:

- the types of maintenance required, depending on the criticality of the protected circuit
- the risks involved if the component ceases to operate correctly
- what is understood by the terms normal, improved and severe environment and operating conditions
- the periodic preventive maintenance operations that should be carried out under normal environment and operating conditions as well as the level of competence required for the operations
- the environment and operating conditions that accelerate device ageing.

The level II and III procedures mentioned in the Maintenance Guide can be downloaded from the www.se.com website. They are compiled in a document with reference HRB16483.

Problem	Probable causes	Solutions
Circuit breaker cannot be closed locally or remotely	<ul style="list-style-type: none"> ■ Circuit breaker padlocked or keylocked in the "open" position ■ Circuit breaker interlocked mechanically in a source changeover system ■ Circuit breaker not completely connected ■ The reset button signalling a fault trip has not been reset ■ Stored energy mechanism not charged ■ MX opening shunt release permanently supplied with power ■ MN undervoltage release not supplied with power ■ XF closing release continuously supplied with power, but circuit breaker not "ready to close" (XF not wired in series with PF contact) ■ Permanent trip order in the presence of a MicroLogic P or H control unit with minimum voltage and minimum frequency protection in Trip mode and the control unit powered 	<ul style="list-style-type: none"> □ disable the locking fonction □ check the position of the other circuit breaker in the changeover system □ modify the situation to release the interlock □ terminate racking in (connection) of the circuit breaker □ clear the fault □ push the reset button on the front of the circuit breaker □ charge the mechanism manually □ if it is equipped with a an MCH gear motor, check the supply of power to the motor. If the problem persists, replace the gear motor (MCH) □ there is an opening order. Determine the origin of the order. The order must be cancelled before the circuit breaker can be closed □ there is an opening order. Determine the origin of the order. □ check the voltage and the supply circuit ($U > 0.85 U_n$). If the problem persists, replace the release □ cut the supply of power to the XF closing release, then send the closing order again via the XF, but only if the circuit breaker is "ready to close" □ Disable these protection functions on the MicroLogic P or H control unit
Circuit breaker cannot be closed remotely but can be opened locally using the closing pushbutton	<ul style="list-style-type: none"> ■ Closing order not executed by the XF closing release 	<ul style="list-style-type: none"> □ check the voltage and the supply circuit ($0.85 - 1.1 U_n$). If the problem persists, replace the XF release
Unexpected tripping without activation of the reset button signalling a fault trip	<ul style="list-style-type: none"> ■ MN undervoltage release supply voltage too low ■ Load-shedding order sent to the MX opening release by another device ■ Unnecessary opening order from the MX opening release 	<ul style="list-style-type: none"> □ check the voltage and the supply circuit ($U > 0.85 U_n$) □ check the overall load on the distribution system □ if necessary, modify the settings of devices in the installation □ determine the origin of the order
Unexpected tripping with activation of the reset button signalling a fault trip	<p>a fault is present :</p> <ul style="list-style-type: none"> ■ overload ■ earth fault ■ short-circuit detected by the control unit 	<ul style="list-style-type: none"> □ determine and clear the causes of the fault □ check the condition of the circuit breaker before putting it back into service
Instantaneous opening after each attempt to close the circuit breaker with activation of the reset button signalling a fault trip	<ul style="list-style-type: none"> ■ Thermal memory ■ Transient overcurrent when closing ■ Closing on a short-circuit 	<ul style="list-style-type: none"> □ see the user manual of the control unit □ press the reset button □ modify the distribution system or the control-unit settings □ check the condition of the circuit breaker before putting it back into service □ press the reset button □ clear the fault □ check the condition of the circuit breaker before putting it back into service □ press the reset button

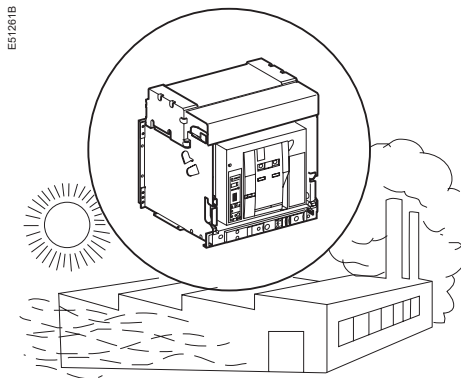
Problem	Probable causes	Solutions
Circuit breaker cannot be opened remotely, but can be opened locally	<ul style="list-style-type: none"> ■ Opening order not executed by the MX opening release ■ Opening order not executed by the MN undervoltage release 	<ul style="list-style-type: none"> □ check the voltage and the supply circuit (0.7 - 1.1 Un). If the problem persists, replace the MX release □ drop in voltage insufficient or residual voltage (> 0.35 Un) across the terminals of the undervoltage release. If the problem persists, replace the MN release
Circuit breaker cannot be opened locally	<ul style="list-style-type: none"> ■ Operating mechanism malfunction or welded contacts 	<ul style="list-style-type: none"> □ contact a Schneider service centre
Circuit breaker cannot be reset locally but not remotely	<ul style="list-style-type: none"> ■ Insufficient supply voltage for the MCH gear motor 	<ul style="list-style-type: none"> □ check the voltage and the supply circuit (0.7 - 1.1 Un). If the problem persists, replace the MCH release
Nuisance tripping of the circuit breaker with activation of the reset button signalling a fault trip	<ul style="list-style-type: none"> ■ Reset button not pushed-in completely 	<ul style="list-style-type: none"> □ push the reset button in completely
Impossible to insert the crank in connected, test or disconnected position	<ul style="list-style-type: none"> ■ A padlock or keylock is present on the chassis or a door interlock is present 	<ul style="list-style-type: none"> □ disable the locking function
Impossible to turn the crank	<ul style="list-style-type: none"> ■ The reset button has not been pressed 	<ul style="list-style-type: none"> □ press the reset button
Circuit breaker cannot be removed from chassis	<ul style="list-style-type: none"> ■ Circuit breaker not in disconnected position 	<ul style="list-style-type: none"> □ turn the crank until the circuit breaker is in disconnected position and the reset button out
Circuit breaker cannot be connected (racked in)	<ul style="list-style-type: none"> ■ The rails are not completely out ■ Cradle/circuit breaker mismatch protection ■ The safety shutters are locked ■ The disconnecting-contact clusters are incorrectly positioned ■ Cradle locked in disconnected position ■ The reset button has not been pressed, preventing rotation of the crank ■ The circuit breaker has not been sufficiently inserted in the cradle 	<ul style="list-style-type: none"> □ pull the rails all the way out □ check that the cradle corresponds with the circuit breaker □ remove the lock(s) □ reposition the clusters □ disable the cradle locking function □ press the reset button □ insert the circuit breaker completely so that it is engaged in the racking mechanism
Circuit breaker cannot be locked in disconnected position	<ul style="list-style-type: none"> ■ The circuit breaker is not in the right position ■ The crank is still in the cradle 	<ul style="list-style-type: none"> □ check the circuit breaker position by making sure the reset button is out □ remove the crank and store it
Circuit breaker cannot be locked in connected, test or disconnected position	<ul style="list-style-type: none"> ■ Check that locking in any position is enabled ■ The circuit breaker is not in the right position ■ The crank is still in the cradle 	<ul style="list-style-type: none"> □ contact a Schneider service centre □ check the circuit breaker position by making sure the reset button is out □ remove the crank and store it
The crank cannot be inserted to connect or disconnected the circuit breaker	<ul style="list-style-type: none"> ■ The rails are not completely in 	<ul style="list-style-type: none"> □ push the rails all the way in
The right-hand rail (chassis alone) or the circuit breaker cannot be drawn out	<ul style="list-style-type: none"> ■ The crank is still in the chassis 	<ul style="list-style-type: none"> □ remove the crank and store it



Ambient temperature

MasterPact NW devices can operate under the following temperature conditions:

- the electrical and mechanical characteristics are stipulated for an ambient temperature of -25 °C to +70 °C
- circuit-breaker mechanical closing by pushbutton is guaranteed down to -35 °C
- MasterPact NW (without the control unit) can be stored in an ambient temperature of -40 °C to +85 °C
- the control unit can be stored in an ambient temperature of -25 °C to +85 °C.



Extreme atmospheric conditions

MasterPact NW devices have successfully passed the tests defined by the following standards for extreme atmospheric conditions:

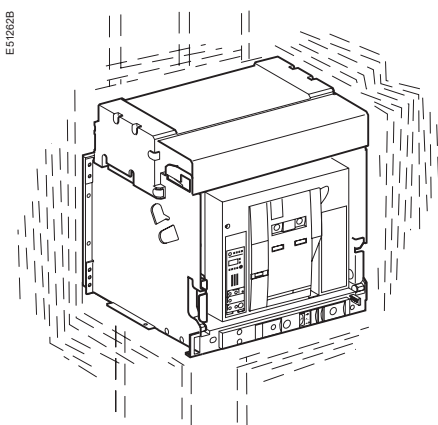
- IEC 60068-2-1: dry cold at -40 °C
- IEC 60068-2-2: dry heat at +85 °C
- IEC 60068-2-30: damp heat (temperature +55 °C, relative humidity 95%)
- IEC 60068-2-52 level 2: salt mist.

MasterPact NW devices can operate in the industrial environments defined by standard IEC 60947 (pollution degree up to 4).

It is nonetheless advised to check that the devices are installed in suitably cooled switchboards without excessive dust.

MasterPact NW devices with corrosion protection have successfully passed the tests defined by the following standards for extreme atmospheric conditions:

- IEC 60068-2-42: atmospheres containing sulphur dioxide (SO₂)
- IEC 60068-2-43: atmospheres containing hydrogen sulphide (H₂S).



Vibrations

MasterPact NW devices resist electromagnetic or mechanical vibrations.

Tests are carried out in compliance with standard IEC 60068-2-6 for the levels required by merchant-marine inspection organisations (Veritas, Lloyd's, etc.):

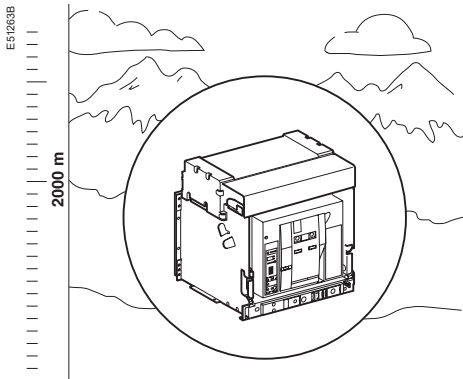
- 2 to 13.2 Hz: amplitude ±1 mm
- 13.2 to 100 Hz: constant acceleration 0.7 g.

Excessive vibration may cause tripping, breaks in connections or damage to mechanical parts.

Some applications have vibration profiles outside of this standard, and require special attention during application design, installation, and use. Excessive vibration may cause unexpected tripping, damage to connections or to other mechanical parts. Please refer to the MasterPact maintenance guide (causes of accelerated ageing / operating conditions / vibrations) for additional information.

Examples of applications with high vibration profiles could include:

- wind turbines
- power frequency converters that are installed in the same switchboard or close proximity to the MasterPact circuit breaker
- emergency generators
- high vibration marine applications such as thrusters, anchor positioning systems, etc.

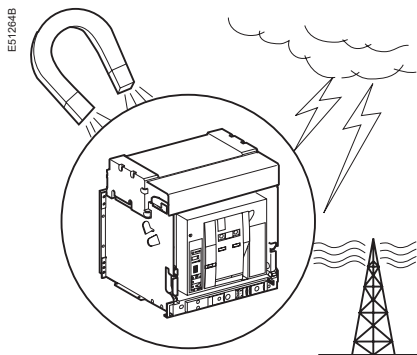


Altitude

MasterPact NW devices are designed for operation at altitudes under 2000 metres.

At altitudes higher than 2000 metres, the modifications in the ambient air (electrical resistance, cooling capacity) lower the following characteristics.

Altitude (m)	2000	3000	4000	5000
Dielectric resistance voltage (V)	3500	3150	2500	2100
Average insulation level (V)	1000	900	700	600
Maximum utilisation voltage (V)	690	590	520	460
Average thermal current (A) at 40 °C	1 x I _n	0.99 x I _n	0.96 x I _n	0.94 x I _n



Electromagnetic disturbances

MasterPact NW devices are protected against:

- overvoltages caused by devices that generate electromagnetic disturbances
- overvoltages caused by an atmospheric disturbances or by a distribution-system outage (e.g. failure of a lighting system)
- devices emitting radio waves (radios, walkie-talkies, radar, etc.)
- electrostatic discharges produced by users.

MasterPact NW devices have successfully passed the electromagnetic-compatibility tests (EMC) defined by the following international standards:

- IEC 60947-2, appendix F
- IEC 60947-2, appendix B (trip units with earth-leakage function).

The above tests guarantee that:

- no nuisance tripping occurs
- tripping times are respected.

Cleaning

- Non-metallic parts:
never use solvent, soap or any other cleaning product. Clean with a dry cloth only
- Metal parts:
clean with a dry cloth whenever possible. If solvent, soap or any other cleaning product must be used, make sure that it does not come into contact with non-metallic parts.

Schneider Electric Industries SAS

35, rue Joseph Monier
CS 30323
F - 92506 Rueil Malmaison Cedex

www.se.com

As standards, specifications and designs change from time to time, please ask for confirmation of the information given in this publication.



This document has been printed on ecological paper

Design: Schneider Electric
Photos: Schneider Electric
Printed: