

**Type 2000 / 2006 / 2012
2030 / 2031 / 2032 / 2033**

Stroke limitation · Min./max. stroke limitation
Hand wheel · Electrical position feedback

Hubbegrenzung · Min./max. Hubbegrenzung
Handrad · Elektrischer Stellungsrückmelder

Limitation de course · Limitation de course min./max.
Volant · Indicateur électrique de position



Assembly Instructions for Accessories

Montageanleitung Zubehör

Instructions de montage des accessoires

We reserve the right to make technical changes without notice.
Technische Änderungen vorbehalten.
Sous réserve de modification techniques.

© Bürkert Werke GmbH & Co. KG, 2003 - 2022

Operating Instructions 2203/09_EU-ML_00804700 / Original DE

Assembly instructions for accessories

Contents:

1 THE INSTRUCTIONS	4	7 MAX. STROKE LIMITATION	10
1.1 Symbols.....	4	7.1 Actuator sizes 50, 63, 80 (Ø in mm).....	10
1.2 Definition of terms	4	7.2 Actuator sizes 100, 125 (Ø in mm)	11
2 INTENDED USE	5	7.3 Actuator sizes 175, 225 (Ø in mm)	12
3 BASIC SAFETY INSTRUCTIONS	5	8 MIN./MAX. STROKE LIMITATION	13
3.1 Type-specific safety and warning notices.....	6	8.1 Actuator sizes 50, 63, 80 (Ø in mm).....	13
4 GENERAL INFORMATION	7	8.2 Actuator sizes 100, 125 (Ø in mm)	14
4.1 Contact addresses	7	8.3 Actuator size 175 (Ø in mm)	16
4.2 Warranty	7	9 HANDWHEEL	18
4.3 Recommended auxiliary materials	7	9.1 Actuator sizes 50 to 125 (Ø in mm).....	18
5 ACCESSORIES OVERVIEW	7	10 ELECTRICAL POSITION FEEDBACK INDICATOR	19
5.1 Stroke limitation, single version.....	7	10.1 Actuator sizes 50, 63, 80 (Ø in mm).....	20
5.2 Min./max. stroke limitation	8	10.2 Actuator sizes 100, 125 (Ø in mm)	20
5.3 Handwheel.....	8	10.3 Actuator sizes 175, 225 (Ø in mm)	21
5.4 Electrical position feedback indicator.....	9	11 ELECTRICAL CONNECTION	22
6 PILOT AIR PORTS	9	12 INSTALLATION ACCESSORIES	22
6.1 Actuator sizes 50, 63, 80 and 100, 125 (Ø in mm)	9	13 ORDERING DATA ACCESSORIES	23
6.2 Actuator sizes 175 and 225 (Ø in mm)	9		

1 THE INSTRUCTIONS

The assembly instructions describe the procedure for installing and starting up the accessories type 2000, 2006, 2012, 2030, 2031, 2032 and 2033.

Keep these instructions in a place that is easily accessible to all users and ensure they are available to all new owners of the device.

The manual contains important safety information.

Failure to observe these instructions may result in hazardous situations.

- ▶ The instructions must be read and understood before starting the installation work.

1.1 Symbols



DANGER!

Warns of an immediate danger.

- ▶ Failure to observe these instructions will result in death or serious injuries.



WARNING!

Warns of a potentially hazardous situation.

- ▶ Failure to observe these instructions may result in serious injuries or death.



CAUTION!

Warns of a potential danger.

- ▶ Failure to observe these instructions may result in moderate or minor injuries.

NOTE!

Warns of damage.

- ▶ Failure to observe the warning may result in damage to the device or the equipment.



Indicates important additional information, tips and recommendations.



refers to information in these operating instructions or in other documentation.

- ▶ highlights instructions to avoid a danger.

→ highlights a work step which you must carry out.

1.2 Definition of terms

The term “device” used in these instructions always stands for Type 2000, 2006, 2012, 2030, 2031, 2032, 2033.

Control function	Definition
A (CFA)	Closed by spring force in rest position.
B (CFB)	Opened by spring force in rest position.
I (CFI)	Actuating function via reciprocal pressurisation.

2 INTENDED USE

- ▶ The actuators and their accessories may only be used for the intended applications described in the respective operating instructions and only in connection with third-party devices and components recommended or approved by Bürkert. Any other or additional use is not considered part of the intended use.
- ▶ Observe the information in these assembly instructions as well as the conditions of use and permissible data specified in the operating instructions and on the type label of the components used.
- ▶ Proper and safe operation of the devices requires proper transport, storage and installation as well as careful operation and maintenance.

3 BASIC SAFETY INSTRUCTIONS

These safety instructions do not take account of any

- contingencies or events which may occur during installation, operation and maintenance of the devices;
- Local safety regulations that are within the operator's scope of responsibility, including those relating to the installation personnel.



DANGER!

Danger – high pressure.

- ▶ Before loosening lines and valves, turn off the pressure and vent the lines.

Danger from electrical voltage.

- ▶ Before accessing the device or the system, switch off the power supply and secure it to prevent reactivation!
- ▶ Observe any applicable accident prevention regulations and safety regulations for electrical devices.

Risk of injury when unscrewing the transparent cap.

The transparent cap must not be under pressure when unscrewing it.

- ▶ When unscrewing the transparent cap, **only** the lower piston chamber may be pressurized with compressed air via the lower pilot air port.



WARNING!

General hazardous situations.

To prevent injuries, ensure that:

- ▶ The system cannot be activated unintentionally.
- ▶ Installation and maintenance tasks may be performed by authorised technicians only and with the appropriate tools. Only use original spare parts.
- ▶ The process must be restarted in a defined or controlled manner after an interruption in the power supply or pneumatic supply.

Please observe the following in order to protect against damage to the device:

- ▶ When screwing the electrical position feedback indicator in or out, never use the device socket as a lever, but grasp the screw-in base of the position feedback indicator.



The actuators and accessories were developed taking into account the recognized safety regulations and correspond to the state of the art. Nevertheless, dangerous situations may occur. Only operate the devices when they are in perfect condition and in compliance with the operating instructions. Observe the work instructions, their sequence and the safety instructions and safety markings when installing the respective components.

3.1 Type-specific safety and warning notices

3.1.1 Safety instructions for actuators 175 and 225 (Ø in mm)



WARNING!

Risk of injury and functional failure due to parts jumping out or slipping.

The actuators contain preloaded springs that can jump out or slip if not opened properly.

- ▶ The actuators Ø 175 mm and 225 mm may only be opened by the manufacturer.

3.1.2 Note for actuators 50, 63, 80, 100, 125 (Ø in mm)

NOTE!

Damage to the actuators due to wrong tool.

- Only the tools specially offered by Bürkert may be used to screw on the actuator cover (see chapter “[12 Installation accessories](#)”).

3.1.3 Note for actuators DN80 125 (Ø in mm)

NOTE!

For the variant of the actuator DN80 Ø 125, operation with maximum stroke limitation, min./max. Stroke limitation and hand-wheel not permitted.

4 GENERAL INFORMATION

4.1 Contact addresses

Germany Bürkert Fluid Control Systems
Sales Center
Christian-Bürkert-Str. 13-17
D-74653 Ingelfingen
Tel. + 49 (0) 7940 - 10 91 111
Fax + 49 (0) 7940 - 10 91 448
E-mail: info@burkert.com

International

You will find the contact addresses on the last pages of the printed manual and also in the Internet at: www.burkert.com

4.2 Warranty

A precondition for the warranty is that the actuators and accessories are used as intended observing the specified application conditions.

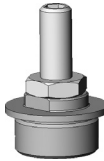
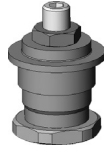

4.3 Recommended auxiliary materials

The following auxiliary materials are recommended for installing the accessories:




Auxiliary material	Designation	Manufacturer and Internet address
Sealants and lubricants	Multi silicone grease OKS 1110	OKS Schmierstoffe GmbH www.oks-germany.com
Liquid adhesive	LOCTITE 274	Henkel Loctite Deutschland GmbH www.loctite.de

5 ACCESSORIES OVERVIEW


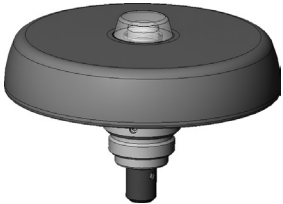
5.1 Stroke limitation, single version

	Actuator sizes 50 to 80 (Ø in mm) Specific detail: only for control function A
	Actuator sizes 100, 125 (Ø in mm) Specifics: only for control function A can only be fitted with a special wrench for the actuator cover
	Actuator sizes 175, 225 (Ø in mm) Specific detail: only for control function A

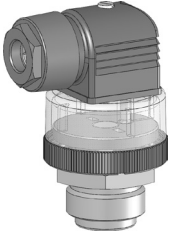
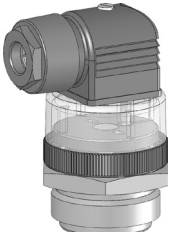
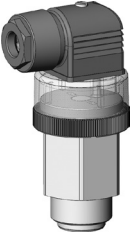
5.2 Min./max. stroke limitation

	<p>Actuator sizes 50 to 80 (Ø in mm)</p>
	<p>Actuator sizes 100, 125 (Ø in mm) Specific detail: Can only be installed with a special wrench for the actuator cover</p>
	<p>Actuator size 175 (Ø in mm)</p>

5.3 Handwheel

	<p>Actuator sizes 50 to 80 (Ø in mm) Special detail: only for control function A</p>
	<p>Actuator sizes 100, 125 (Ø in mm) Special detail: only for control function A</p>

5.4 Electrical position feedback indicator

	<p>Actuator sizes 50 to 80 (Ø in mm) Type 1060</p>
	<p>Actuator sizes 100, 125 (Ø in mm) Type 1060</p>
	<p>Actuator sizes 175, 225 (Ø in mm) Type 1060</p>

6 PILOT AIR PORTS



DANGER!

Danger – high pressure.

- ▶ Before loosening lines and valves, turn off the pressure and vent the lines.

6.1 Actuator sizes 50, 63, 80 and 100, 125 (Ø in mm)

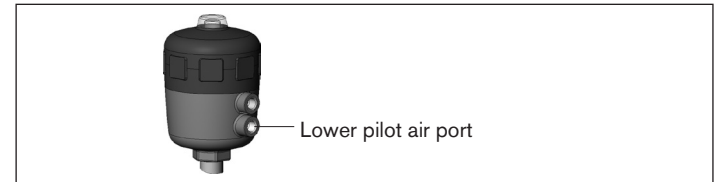


Image 1: Lower pilot air port,
actuator sizes 50, 63, 80 and 100, 125 (Ø in mm)

6.2 Actuator sizes 175 and 225 (Ø in mm)

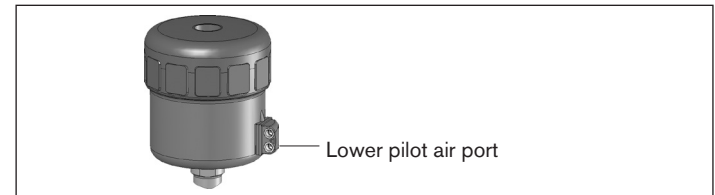


Image 2: Lower pilot air port,
Actuator sizes 175 und 225 (Ø in mm)

7 MAX. STROKE LIMITATION WITHOUT POSITION FEEDBACK



DANGER!

Danger – high pressure.

- ▶ Switch off the pressure and bleed the lines before converting the devices.

Risk of injury when unscrewing the transparent cap.

The transparent cap must not be under pressure when unscrewing it.

- ▶ When unscrewing the transparent cap, **only** the lower piston chamber may be pressurized with compressed air via the lower pilot air port.

7.1 Actuator sizes 50, 63, 80 (Ø in mm)

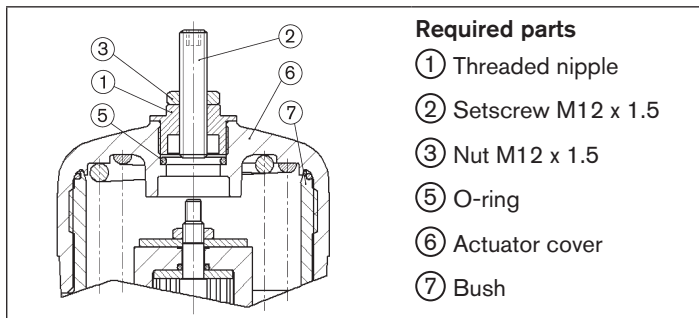


Image 3: Actuator sizes 50, 63, 80 (Ø in mm)

7.1.1 Work before installation

- Interrupt the supply of pilot air and medium flow.
- Drain the valve body.
- Unscrew the transparent cap from the actuator cover (6) (observe the safety instructions in chapter “7” on page 10!).
- Unscrew the position indicator with an Allen key (width across flats 5 mm).

7.1.2 Installation and commissioning

- Screw the threaded nipple (1) into the actuator cover (6).
 - Use the wrench flat on the tube (AF17).
 - Max. tightening torque: 15 Nm.
- Adjust the max. stroke by adjusting the setscrew (2).
- Secure the setscrew (2) with the nut (3).
- Check valve for functionality and tightness.

7.2 Actuator sizes 100, 125 (Ø in mm)

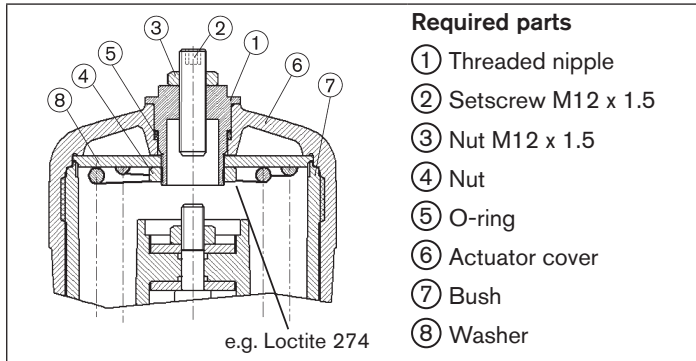


Image 4: Actuator sizes 100, 125 (Ø in mm),
max. stroke limitation without position feedback

7.2.1 Work before installation

- Interrupt the supply of pilot air and medium flow.
- Drain the valve body.
- Unscrew the transparent cap from the actuator cover (6) (observe the safety instructions in chapter "7" on page 10!).
- Unscrew the position indicator with an Allen key (AF8).

NOTE!

Damage caused by wrong tool.

- ▶ Only screw the actuator cover in or out with the special wrench offered in chapter "12 Installation accessories".

- Unscrew the actuator cover (6) with a special wrench while holding on to the running surface.

7.2.2 Installation and commissioning

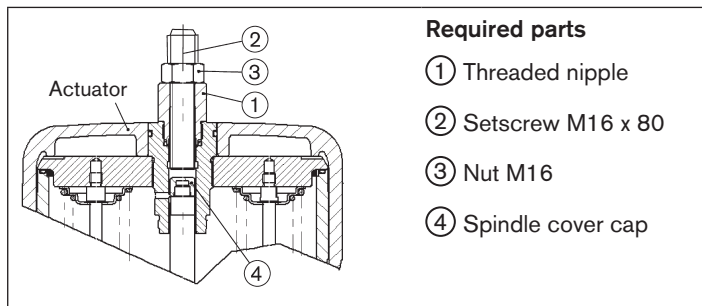
NOTE!

Failure or impairment of function due to damaged O-ring (5).

- Insert O-ring (5) carefully.
- Do not use any sharp objects to insert.

- Insert the threaded nipple (1) into the actuator cover (6).
- Insert the washer (8) into the inside of the actuator cover (6).
- Fasten actuator cover (6) with nut (4) on threaded nipple (1).
 - Use wrench flat on the tube (AF24)
 - Max. tightening torque: 20 Nm
- Secure nut (4) with adhesive (e.g. Loctite 274).
- Mount the actuator cover (6) with a special wrench.
 - Max. tightening torque: Actuator size Ø 100 mm = 45 Nm
Actuator size Ø 125 mm = 60 Nm
- Adjust the max. stroke by adjusting the setscrew (2).
- Secure setscrew (2) with nut (3).
- Check valve for functionality and tightness.

7.3 Actuator sizes 175, 225 (Ø in mm)



Required parts

- ① Threaded nipple
- ② Setscrew M16 x 80
- ③ Nut M16
- ④ Spindle cover cap

Image 5: Actuator sizes 175, 225 (Ø in mm),
max. stroke limitation without position feedback



WARNING!

Risk of injury and functional failure due to parts jumping out or slipping.

The actuators contain preloaded springs that can jump out or slip if not opened properly.

- ▶ The actuators Ø 175 mm and 225 mm may only be opened by the manufacturer.

7.3.1 Work before installation

- Interrupt the supply of the medium flow.
- Drain the valve body.
- Move the actuator to the upper piston position. To do this, apply compressed air to the lower piston chamber via the lower pilot air port (control functions A and I).
- Unscrew the transparent cap from the actuator cover (observe the safety instructions in chapter "7" on page 10!).
- Unscrew the position indicator (yellow screw cap) by hand.
- Screw on the threaded bushing or spindle cover cap (4) instead of the position indicator on the end of the spindle (AF14).
- Interrupt the supply of pilot air.

7.3.2 Installation and commissioning

- Screw the threaded nipple (1) into the actuator instead of the transparent cap (AF27).
- Screw the setscrew (2) into the threaded nipple (1).
- Set the max. stroke by adjusting the setscrew (2) .
- Secure the setscrew (2) with a nut (3) .
- Check valve for functionality and tightness.

8 MIN./MAX. STROKE LIMITATION WITH OPTICAL POSITION INDICATOR



WARNING!

Danger – high pressure.

- ▶ Switch off the pressure and bleed the lines before converting the devices.

Risk of injury when unscrewing the transparent cap.

The transparent cap must not be under pressure when unscrewing it.

- ▶ When unscrewing the transparent cap, **only** the lower piston chamber may be pressurized with compressed air via the lower pilot air port.



CAUTION!

Risk of crushing by mechanically moving parts.

For setting the min./max. stroke limitation the valve is switched. This causes the spindle to move.

- ▶ Do not touch any exposed parts of the min./max. stroke limiter while the valve is switching.

8.1 Actuator sizes 50, 63, 80 (Ø in mm)

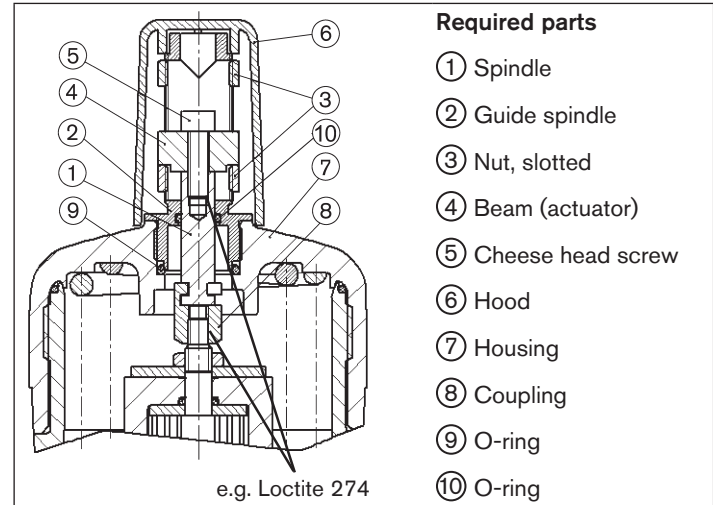


Image 6: Actuator sizes 50, 63, 80 (Ø in mm)
min./max. stroke limitation with optical
position indicator

8.1.1 Installation and commissioning

- Screw the coupling (8) onto the valve spindle and secure with adhesive (e.g. Loctite 274).
- Hook the spindle (1) in the coupling (8).
- Grease the spindle (1).

- Grease O-ring (10) and insert in guide spindle (2).
- Screw the guide spindle (2) into the actuator cover.
 - Max. tightening torque: 15 Nm
- Screw the actuator cover onto the valve.
 - Max. tightening torque:
 - Actuator size \varnothing 50 mm = 15 Nm
 - Actuator size \varnothing 63 mm = 20 Nm
 - Actuator size \varnothing 80 mm = 35 Nm
- Screw the bottom nut (3) onto the guide spindle (2).
- Place bar (4) on spindle (1), fasten with cheese head screw (5) (Allen key AF5 or AF8) and secure with screw lock (e.g. Loctite 274).
- Screw the top nut (3) onto the guide spindle (2).
- Set the maximum and minimum stroke using the top and bottom nuts (3).
- Check valve for functionality and tightness.
- Screw on hood (6) by hand.

8.2 Actuator sizes 100, 125 (\varnothing in mm)

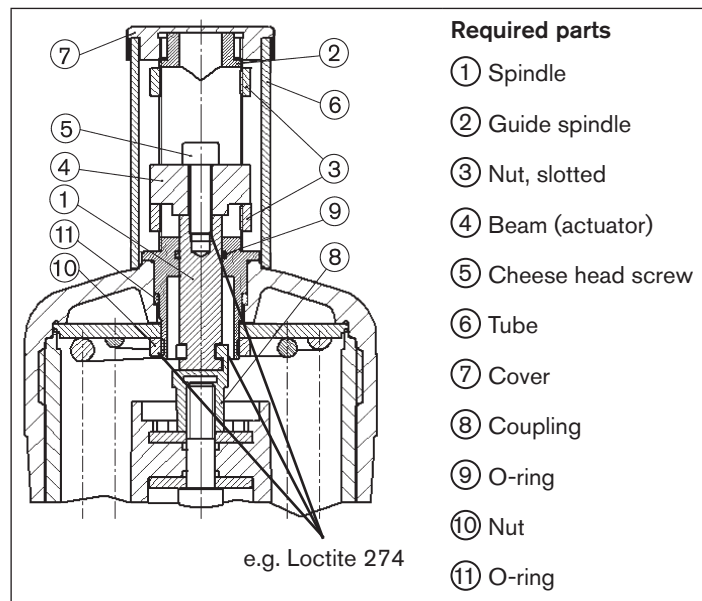


Image 7: Actuator sizes 100, 125 (\varnothing in mm), min./max. stroke limitation with optical position indicator

8.2.1 Work before installation

- Interrupt the supply of pilot air and medium flow.
- Drain the valve body.
- Unscrew the transparent cap from the actuator cover (6) (observe the safety instructions in chapter [“8” on page 13!](#)).
- Unscrew the position indicator with an Allen key (AF5 or AF8).

NOTE!

Damage caused by wrong tool.

- ▶ Only screw the actuator cover in or out with the special wrench offered in chapter [“12 Installation accessories”](#).

- Unscrew the actuator cover with a special wrench while holding the bush.

8.2.2 Installation and commissioning

- Screw the coupling (8) onto the valve spindle and secure with screw lock (e.g. Loctite 274).
- Hook the spindle (1) in the coupling (8).
- Grease the spindle (1).
- Grease O-ring (9) and insert in guide spindle (2).
- Insert the guide spindle (2) into the actuator cover.
- Place the washer in the actuator cover, fasten it to the guide spindle (2) with the nut (10) and secure with screw lock (e.g. Loctite 274).
- To do this, use the wrench flat on the guide spindle (2) (AF24).
 - Max. tightening torque: 20 Nm

- Screw actuator cover onto valve
 - Max. tightening torque:
 - Actuator size Ø 100 mm = 45 Nm
 - Actuator size Ø 125 mm = 60 Nm
- Screw the bottom nut (3) onto the guide spindle (2).
- Place the bar (4) on the spindle (1), fasten with a cheese head screw (5) and secure with a screw lock (e.g. Loctite 274) (Allen key AF5 or AF8).
- Screw the top nut (3) onto the guide spindle (2).
- Set the maximum and minimum stroke using the top and bottom nuts (3).
- Check valve for functionality and tightness.
- Screw on tube (6) with cover (7) by hand.

8.3 Actuator size 175 (Ø in mm)

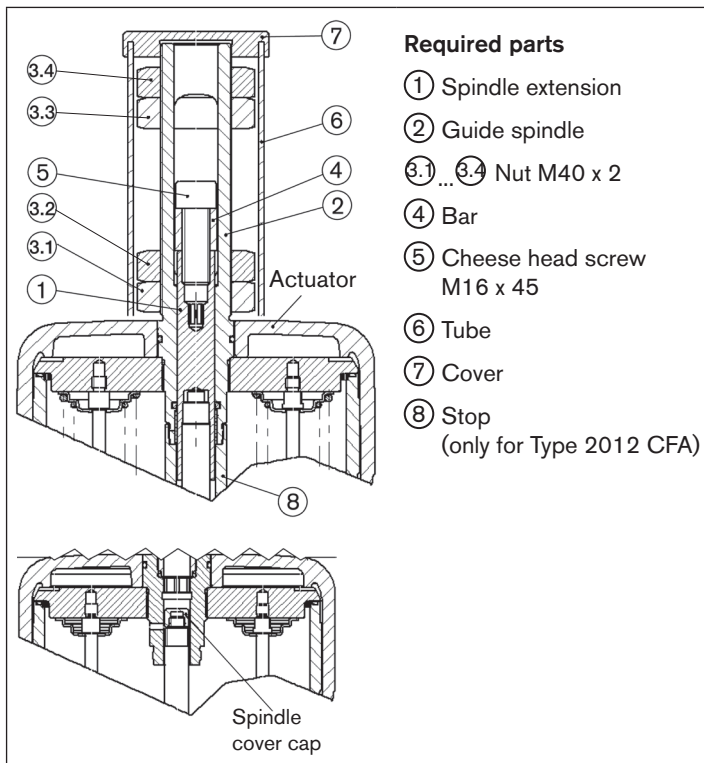


Image 8: Actuator size 175 (Ø in mm)
min./max. stroke limitation with optical position indicator



WARNING!

Risk of injury and functional failure due to parts jumping out or slipping.

The actuators contain preloaded springs that can jump out or slip if not opened properly.

► The Ø 175 mm actuator may only be opened by the manufacturer.

8.3.1 Work before setting the maximum and minimum stroke

→ Interrupt the supply of the medium flow.

CFA and CFI

8.3.2 Setting the minimum stroke

→ Unscrew cover (7).

→ Remove tube (6).

→ Apply control air to the actuator to open the valve.

→ Loosen the locknut (3.1) for minimum stroke.

→ Screw the adjusting nut (3.2) for the minimum stroke into the required position.

→ Check the stroke limitation setting by switching the valve.

→ Secure with locknut (3.1) for minimum stroke.

8.3.3 Setting the maximum stroke

- Interrupt the pilot air supply to close the valve.
- Loosen locknut (3.4) for maximum stroke.
- Screw the adjusting nut (3.3) into the desired position for the maximum stroke.
- Check the stroke limitation setting by switching the valve.
- Secure with locknut (3.4) for maximum stroke.
- Attach tube (6) and screw on cover (7).

CFB

8.3.4 Setting the minimum stroke

- Unscrew cover (7).
- Remove tube (6).
- Loosen the locknut (3.1) for minimum stroke.
- Screw the adjusting nut (3.2) for the minimum stroke into the required position.
- Check the stroke limitation setting by switching the valve.
- Secure with locknut (3.1) for maximum stroke.

8.3.5 Setting the maximum stroke

- Apply pilot air to the actuator to close the valve.
- Loosen locknut (3.4) for maximum stroke.
- Screw the adjusting nut (3.3) for the maximum stroke into the desired position.
- Check the stroke limitation setting by switching the valve.
- Secure with locknut (3.4) for maximum lift.
- Interrupt the pilot air supply to open the valve.
- Attach tube (6) and screw on cover (7).

9 HANDWHEEL



DANGER!

Danger – high pressure.

- ▶ Switch off the pressure and bleed the lines before converting the devices.

Risk of injury when unscrewing the transparent cap.

The transparent cap must not be under pressure when unscrewing it.

- ▶ When unscrewing the transparent cap, **only** the lower piston chamber may be pressurized with compressed air via the lower pilot air port.

9.1 Actuator sizes 50 to 125 (Ø in mm)

9.1.1 Work before installation

- Interrupt the supply of pilot air and medium flow.
- Drain the valve body.
- Unscrew the transparent cap from the actuator cover (6) (observe the safety instructions in chapter “9” on page 18!).
- Unscrew the position indicator with an Allen key (AF5 or 8).

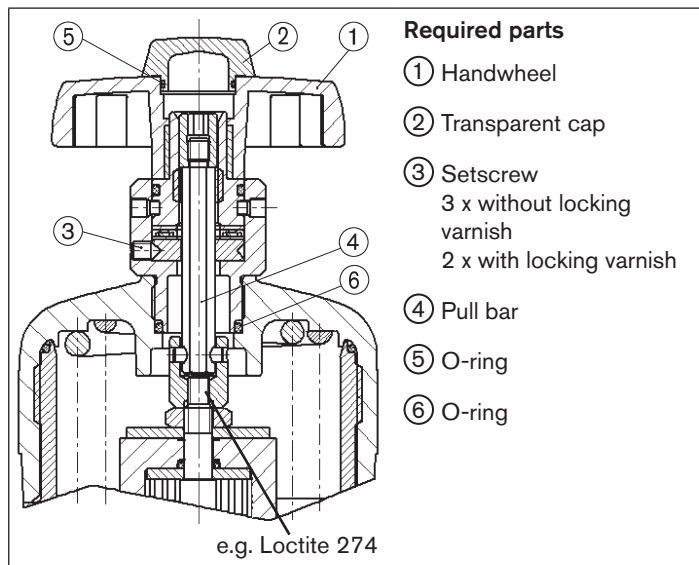


Image 9: Actuator sizes 50 to 125 (Ø in mm) with handwheel

9.1.2 Installation and commissioning

- Carefully pry off the transparent cap (2) from the handwheel (1) using a suitable tool (transparent cap is only plugged on, no thread).
- Check:
 - Setscrews (3) without locking varnish (3 pieces) are loose
 - Pull rod (4) is at the bottom stop

(adjustable with Allen key AF5 or AF8).

- Screw the handwheel onto the actuator cover, using the wrench flat on the handwheel and holding on to the valve.
 - Max. tightening torque:
Actuator sizes Ø 50, 63, 80 mm = 15 Nm
Actuator sizes Ø 100, 125 mm = 20 Nm
- Screw the pull rod (4) onto the actuator spindle using an Allen key AF5 or AF8 and secure with screw lock (e.g. Loctite 274).

NOTE!

Failure or impairment of function due to loose screws.

- The screws secured with locking varnish must not be loosened, otherwise proper functioning can no longer be guaranteed.
- Tighten the setscrews (3) without locking varnish (3 pieces, AF2.5).
 - Check valve for functionality and tightness.
 - Turn handwheel (1) to the left to open.

NOTE!

Failure or impairment of function due to damaged O-ring ⑤.

- Carefully insert O-ring ⑤.
 - Do not use any sharp objects to insert.
- Plug on the transparent cap (2) with O-ring (5).

10 ELECTRICAL POSITION FEEDBACK INDICATOR WITH OPTICAL POSITION INDICATOR



DANGER!

Danger – high pressure.

Switch off the pressure and bleed the lines before converting the devices.

Risk of injury when unscrewing the transparent cap.

The transparent cap must not be under pressure when unscrewing it.

- ▶ When unscrewing the transparent cap, **only** the lower piston chamber may be pressurized with compressed air via the lower pilot air port.

NOTE!

Damage to the micro switch.

- ▶ When screwing the electrical position feedback indicator in or out, never use the device socket as a lever, but grasp the screw-in base of the position feedback indicator.

10.1 Actuator sizes 50, 63, 80 (Ø in mm)

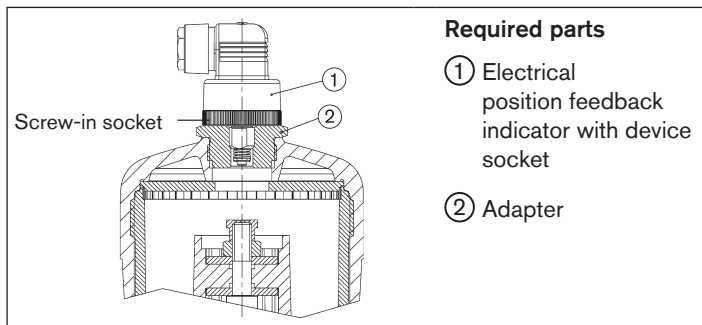


Image 10: Actuator sizes 50, 63, 80 (Ø in mm) with electrical position feedback indicator

10.1.1 Work before installation

- Interrupt the supply of pilot air and medium flow.
- Unscrew the transparent cap from the actuator cover (6) (observe the safety instructions in chapter "10" on page 19!).
- Unscrew the position indicator with an Allen key (AF5).

10.1.2 Installation and commissioning

- Screw the adapter (2) onto the actuator instead of the transparent cap (see "Image 10").
- Screw the electrical position feedback indicator (1) into the adapter (2), observing the note in chapter "10".

10.2 Actuator sizes 100, 125 (Ø in mm)

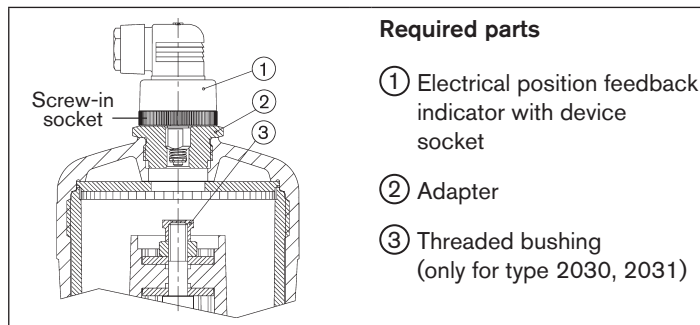


Image 11: Actuator sizes 100, 125 (Ø in mm) with electrical position feedback indicator

10.2.1 Work before installation

- Interrupt the supply of the medium flow.
- Drain the valve body.
- Move the actuator to the upper piston position. To do this, apply compressed air to the lower piston chamber via the lower pilot air port (control functions A and I).
- Unscrew the transparent cap from the actuator cover (6) (observe the safety instructions in chapter "10" on page 19!).
- Unscrew the position indicator with an Allen key (AF8).
- **Type 2030, 2031:** Screw the threaded bushing (3) onto the actuator spindle (AF14).
- Then interrupt the supply of pilot air.

10.2.2 Installation and commissioning

- Screw the adapter (2) onto the actuator instead of the transparent cap (see "Image 11").
- Screw the electrical position feedback indicator (1) into the adapter (2), observing the note in chapter "10".

10.3 Actuator sizes 175, 225 (Ø in mm)

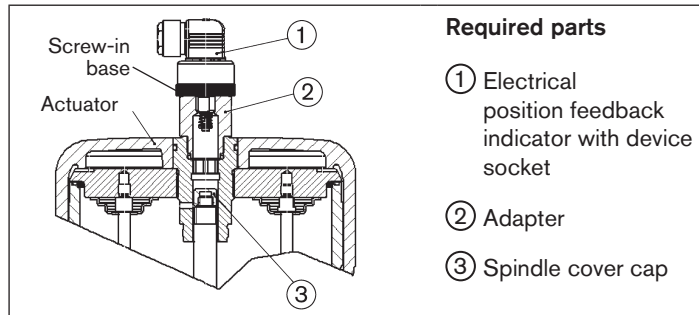


Image 12: Actuator sizes 175, 225 (Ø in mm) with electrical position feedback indicator



WARNING!

Risk of injury and functional failure due to parts jumping out or slipping.

The actuators contain preloaded springs that can jump out or slip if not opened properly.

- ▶ The actuators Ø 175 mm and 225 mm may only be opened by the manufacturer.

10.3.1 Work before installation

- Interrupt the supply of the medium flow.
- Drain the valve body.
- Move the actuator to the upper piston position. To do this, apply compressed air to the lower piston chamber via the lower pilot air port (control functions A and I).
- Unscrew the transparent cap from the actuator cover (6) (observe the safety instructions in chapter "10" on page 19!).
- Unscrew the position indicator (yellow screw cap) by hand.
- Screw the spindle cap (3) onto the end of the spindle instead of the position indicator (AF14).
- Then interrupt the supply of pilot air.

10.3.2 Installation and commissioning

- Screw the adapter (2) onto the actuator instead of the transparent cap (see "Image 12").
- Screw the electrical position feedback indicator (1) into the adapter (2), observing the note in chapter "10".

11 ELECTRICAL CONNECTION

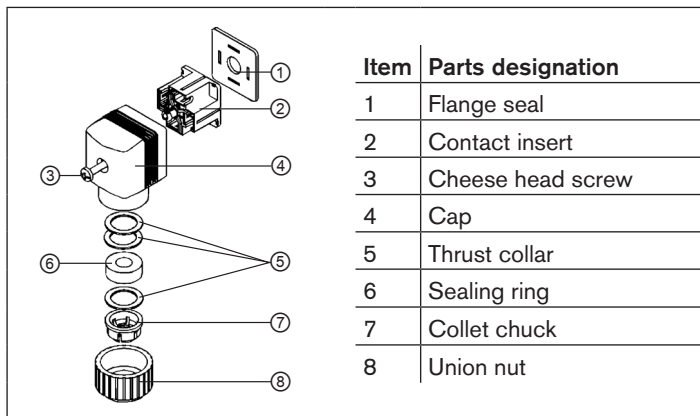


Image 13: Connection of the device socket

→ Loosen the cheese head screw (3) on the device socket and remove it.

NOTE!

Functional failure due to bent connector lugs that prevent the contact insert from being reinstalled.

▶ Carefully remove the contact insert and ensure that the connector lugs are not bent.

→ Loosen the hollow screw in the contact insert (2), remove the contact insert from the cap.

→ Guide the cable through the union nut (8).

→ Make the connection according to the circuit (see [“Image 14: Electrical circuit”](#)).

Max. connected loads: 5 A at 250 VAC
0.25 A at 250 VDC.

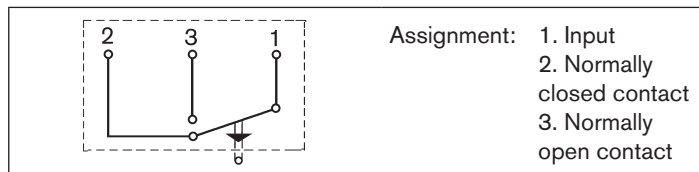


Image 14: Electrical circuit

→ Insert the contact insert (2) into the cap (4) and screw on with a hollow screw.

→ Screw on the device socket with the cheese head screw (3) (tightening torque 0.5 Nm or hand-tight), making sure that the flat seal (6) is seated securely.

→ Tighten the union nut by hand.

→ Check valve for functionality and tightness.

12 INSTALLATION ACCESSORIES

Product	Actuator size [ø in mm]	Order no.
Special wrench	50	639 175
	63	639 170
	80	639 171
	100	639 172
	125	639 173

13 ORDERING DATA ACCESSORIES

Product	Actuator size [ø in mm]	Order no.
Max. stroke limitation without position feedback	50, 63, 80	637 866
	100	637 867
	125	637 868
	175, 225	655 600
Min/max stroke limitation with optical position indicator	50, 63, 80	636 820
	100	636 821
	125	640 703
	175 only type 2030, 2031	655 631
	175 only type 2012	659 038
Handwheel	50, 63, 80	636 822
	100, 125	636 823
Electrical position feedback indicator Type 1060	50, 63, 80	701 515
	100, 125	701 516
	175, 225	655 696

Montageanleitung für Zubehör

Inhalt:

1 DIE ANLEITUNG.....	24	7 MAX. HUBBEGRENZUNG.....	30
1.1 Darstellungsmittel.....	24	7.1 Antriebsgröße 50, 63, 80 (Ø in mm).....	30
1.2 Begriffsdefinition.....	24	7.2 Antriebsgröße 100, 125 (Ø in mm).....	31
2 BESTIMMUNGSGEMÄSSE VERWENDUNG.....	25	7.3 Antriebsgröße 175, 225 (Ø in mm).....	32
3 GRUNDLEGENDE SICHERHEITSHINWEISE.....	25	8 MIN./MAX. HUBBEGRENZUNG	33
3.1 Typenspezifische Sicherheits- und Warnhinweise	26	8.1 Antriebsgröße 50, 63, 80 (Ø in mm).....	33
4 ALLGEMEINE HINWEISE.....	27	8.2 Antriebsgröße 100, 125 (Ø in mm).....	34
4.1 Kontaktadressen.....	27	8.3 Antriebsgröße 175 (Ø in mm).....	36
4.2 Gewährleistung.....	27	9 HANDRAD	38
4.3 Empfohlene Hilfsstoffe.....	27	9.1 Antriebsgröße 50 bis 125 (Ø in mm).....	38
5 ÜBERSICHT ZUBEHÖR.....	27	10 ELEKTRISCHER STELLUNGSRÜCKMELDER	39
5.1 Hubbegrenzung, Einfachausführung	27	10.1 Antriebsgröße 50, 63, 80 (Ø in mm).....	40
5.2 Min./max. Hubbegrenzung	28	10.2 Antriebsgröße 100, 125 (Ø in mm).....	40
5.3 Handrad.....	28	10.3 Antriebsgröße 175, 225 (Ø in mm).....	41
5.4 Elektrischer Stellungsrückmelder.....	29	11 ELEKTRISCHER ANSCHLUSS.....	42
6 STEUERLUFTANSCHLÜSSE.....	29	12 MONTAGEZUBEHÖR	42
6.1 Antriebsgröße 50, 63, 80 und 100, 125 (Ø in mm)	29	13 BESTELLDATEN ZUBEHÖR	43
6.2 Antriebsgröße 175 und 225 (Ø in mm).....	29		

1 DIE ANLEITUNG

Die Montageanleitung beschreibt die Vorgehensweise für den Einbau und die Inbetriebnahme des Zubehörs Typ 2000, 2006, 2012, 2030, 2031, 2032 und 2033.

Bewahren Sie diese Anleitung so auf, dass sie für jeden Benutzer gut zugänglich ist und jedem neuen Eigentümer des Geräts wieder zur Verfügung steht.

Die Anleitung enthält wichtige Informationen zur Sicherheit.

Das Nichtbeachten dieser Hinweise kann zu gefährlichen Situationen führen.

- ▶ Die Anleitung muss vor dem Beginn der Einbauarbeiten gelesen und verstanden werden.

1.1 Darstellungsmittel



GEFAHR!

Warnt vor einer unmittelbaren Gefahr.

- ▶ Bei Nichtbeachtung sind Tod oder schwere Verletzungen die Folge.



WARNUNG!

Warnt vor einer möglicherweise gefährlichen Situation.

- ▶ Bei Nichtbeachtung drohen schwere Verletzungen oder Tod.



VORSICHT!

Warnt vor einer möglichen Gefährdung.

- ▶ Nichtbeachtung kann mittelschwere oder leichte Verletzungen zur Folge haben.

HINWEIS!

Warnt vor Sachschäden.

- ▶ Bei Nichtbeachtung kann das Gerät oder die Anlage beschädigt werden.



bezeichnet wichtige Zusatzinformationen, Tipps und Empfehlungen.



verweist auf Informationen in dieser Bedienungsanleitung oder in anderen Dokumentationen.

- ▶ markiert eine Anweisung zur Gefahrenvermeidung.

→ markiert einen Arbeitsschritt, den Sie ausführen müssen.

1.2 Begriffsdefinition

Der in dieser Anleitung verwendete Begriff „Gerät“ steht immer für Typ 2000, 2006, 2012, 2030, 2031, 2032, 2033.

Steuerfunktion	Definition
A (SFA)	In Ruhestellung durch Federkraft geschlossen.
B (SFB)	In Ruhestellung durch Federkraft geöffnet.
I (SFI)	Stellfunktion über wechselseitige Druckbeaufschlagung.

2 BESTIMMUNGSGEMÄSSE VERWENDUNG

- ▶ Die Antriebe und ihre Zubehörteile dürfen nur für die in den jeweiligen Bedienungsanleitungen beschriebenen vorgesehene Einsatzfälle und nur in Verbindung mit von Bürkert empfohlenen bzw. zugelassenen Fremdgeräten und -komponenten verwendet werden. Eine andere oder darüber hinausgehende Benutzung gilt als nicht bestimmungsgemäß.
- ▶ Beachten Sie die Hinweise dieser Montageanleitung sowie die Einsatzbedingungen und zulässigen Daten, die in den Bedienungsanleitungen und auf dem Typschild der verwendeten Komponenten spezifiziert sind.
- ▶ Der einwandfreie und sichere Betrieb der Geräte setzt sachgemäßen Transport, sachgemäße Lagerung und Installation sowie sorgfältige Bedienung und Instandhaltung voraus.

3 GRUNDLEGENDE SICHERHEITSHINWEISE

Diese Sicherheitshinweise berücksichtigen keine

- Zufälligkeiten und Ereignisse, die bei Montage, Betrieb und Wartung der Geräte auftreten können.
- ortsbezogenen Sicherheitsbestimmungen, für deren Einhaltung, auch in Bezug auf das Montagepersonal, der Betreiber verantwortlich ist.



GEFAHR!

Gefahr durch hohen Druck.

- ▶ Vor dem Lösen von Leitungen und Ventilen den Druck abschalten und Leitungen entlüften.

Gefahr durch elektrische Spannung.

- ▶ Vor Eingriffen in das Gerät oder die Anlage Spannung abschalten und vor Wiedereinschalten sichern.
- ▶ Die geltenden Unfallverhütungs- und Sicherheitsbestimmungen für elektrische Geräte beachten.

Verletzungsgefahr beim Abschrauben der Klarsichthaube.

Die Klarsichthaube darf beim Abschrauben nicht unter Druck stehen.

- ▶ Beim Abschrauben der Klarsichthaube darf **nur** der untere Kolbenraum über den unteren Steuerluftanschluss mit Druckluft beaufschlagt sein.



WARNUNG!

Allgemeine Gefahrensituationen.

Zum Schutz vor Verletzungen ist zu beachten:

- ▶ Dass die Anlage nicht unbeabsichtigt betätigt werden kann.
- ▶ Installations- und Instandhaltungsarbeiten dürfen nur von autorisiertem Fachpersonal mit geeignetem Werkzeug ausgeführt werden. Verwenden Sie nur Originalersatzteile.
- ▶ Nach einer Unterbrechung der elektrischen oder pneumatischen Versorgung ist ein definierter oder kontrollierter Wiederanlauf des Prozesses zu gewährleisten.

Zum Schutz vor Sachschäden am Gerät ist zu beachten:

- ▶ Zum Ein- oder Ausschrauben des elektrischen Stellungsrückmelders keinesfalls die Gerätesteckdose als Hebel benutzen, sondern an den Einschraubsockel des Stellungsrückmelders fassen.



Die Antriebe und Zubehörteile wurden unter Einbeziehung der anerkannten sicherheitstechnischen Regeln entwickelt und entsprechen dem Stand der Technik. Trotzdem können Gefahren entstehen. Betreiben Sie die Geräte nur in einwandfreiem Zustand und unter Beachtung der Betriebsanleitung. Beachten Sie die Arbeitsanweisungen, deren Reihenfolge sowie die Sicherheitshinweise und Sicherheitskennzeichnung beim Einbau der jeweiligen Komponenten.

3.1 Typenspezifische Sicherheits- und Warnhinweise

3.1.1 Sicherheitshinweis für Antriebe 175 und 225 (Ø in mm)



WARNUNG!

Verletzungsgefahr und Funktionsausfall durch herauspringende oder verrutschte Teile.

Die Antriebe enthalten vorgespannte Federn, die bei unsachgemäßer Öffnung herauspringen oder verrutschen können.

- ▶ Die Antriebe Ø 175 mm und 225 mm dürfen nur vom Hersteller geöffnet werden.

3.1.2 Hinweis für Antriebe 50, 63, 80, 100, 125 (Ø in mm)

HINWEIS!

Beschädigung der Antriebe durch falsches Werkzeug.

- Zum Verschrauben des Antriebsdeckels dürfen nur die von Bürkert speziell dafür angebotenen Werkzeuge verwendet werden (siehe Kapitel „12 Montagezubehör“).

3.1.3 Hinweis für Antriebe DN80 125 (Ø in mm)

HINWEIS!

Für die Ausführung des Antriebs DN80 Ø 125 ist der Betrieb mit max. Hubbegrenzung, min./max. Hubbegrenzung und Handrad nicht zulässig.

4 ALLGEMEINE HINWEISE

4.1 Kontaktadressen

Deutschland Bürkert Fluid Control Systems
Sales Center
Christian-Bürkert-Str. 13-17
D-74653 Ingelfingen
Tel. + 49 (0) 7940 - 10 91 111
Fax + 49 (0) 7940 - 10 91 448
E-mail: info@burkert.com

International

Die Kontaktadressen finden Sie auf den letzten Seiten der gedruckten Anleitung, außerdem im Internet unter: www.burkert.com

4.2 Gewährleistung

Voraussetzung für die Gewährleistung ist der bestimmungsgemäße Gebrauch der Antriebe und Zubehörteile unter Beachtung der spezifizierten Einsatzbedingungen.

4.3 Empfohlene Hilfsstoffe

Zum Einbau des Zubehörs werden folgende Hilfsstoffe empfohlen:

Hilfsstoff	Bezeichnung	Hersteller und Internetadresse
Dicht- und Gleitmittel	Multi-Silikonfett OKS 1110	OKS Schmierstoffe GmbH www.oks-germany.com
Flüssigkleber	LOCTITE 274	Henkel Loctite Deutschland GmbH www.loctite.de

5 ÜBERSICHT ZUBEHÖR

5.1 Hubbegrenzung, Einfachausführung

	Antriebsgröße 50 bis 80 (Ø in mm) Besonderheit: nur für Steuerfunktion A
	Antriebsgröße 100, 125 (Ø in mm) Besonderheiten: nur für Steuerfunktion A nur mit Spezialschlüssel für Antriebsdeckel montierbar
	Antriebsgröße 175, 225 (Ø in mm) Besonderheit: nur für Steuerfunktion A

5.2 Min./max. Hubbegrenzung

	<p>Antriebsgröße 50 bis 80 (Ø in mm)</p>
	<p>Antriebsgröße 100, 125 (Ø in mm) Besonderheit: nur mit Spezi­alschlüssel für Antriebsdeckel montierbar</p>
	<p>Antriebsgröße 175 (Ø in mm)</p>

5.3 Handrad

	<p>Antriebsgröße 50 bis 80 (Ø in mm) Besonderheit: nur für Steuerfunktion A</p>
	<p>Antriebsgröße 100, 125 (Ø in mm) Besonderheit: nur für Steuerfunktion A</p>

5.4 Elektrischer Stellungsrückmelder

	<p>Antriebsgröße 50 bis 80 (Ø in mm) Typ 1060</p>
	<p>Antriebsgröße 100, 125 (Ø in mm) Typ 1060</p>
	<p>Antriebsgröße 175, 225 (Ø in mm) Typ 1060</p>

6 STEUERLUFTANSCHLÜSSE



GEFAHR!

Gefahr durch hohen Druck.

- Vor dem Lösen von Leitungen und Ventilen den Druck abschalten und Leitungen entlüften.

6.1 Antriebsgröße 50, 63, 80 und 100, 125 (Ø in mm)

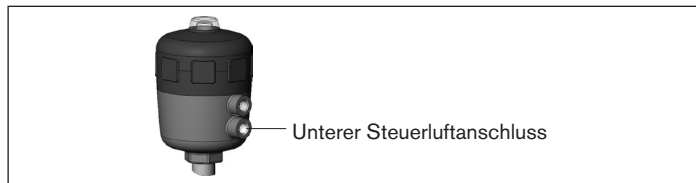


Bild 1: Unterer Steuerluftanschluss,
Antriebsgröße 50, 63, 80 und 100, 125 (Ø in mm)

6.2 Antriebsgröße 175 und 225 (Ø in mm)

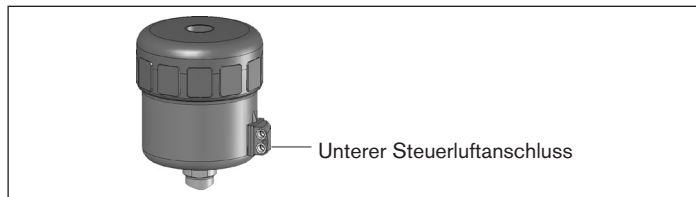


Bild 2: Unterer Steuerluftanschluss,
Antriebsgröße 175 und 225 (Ø in mm)

7 MAX. HUBBEGRENZUNG ohne Stellungsrückmeldung



GEFAHR!

Gefahr durch hohen Druck.

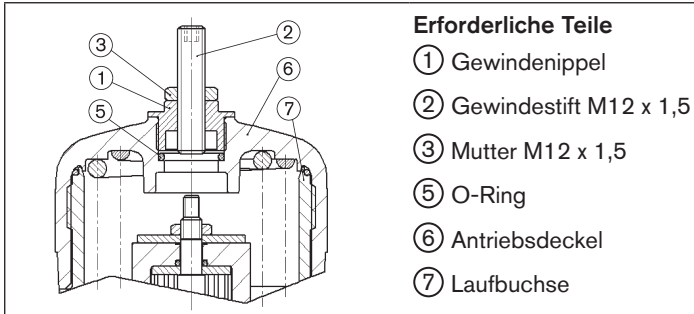
- ▶ Vor dem Umbau der Geräte den Druck abschalten und Leitungen entlüften.

Verletzungsgefahr beim Abschrauben der Klarsichthaube.

Die Klarsichthaube darf beim Abschrauben nicht unter Druck stehen.

- ▶ Beim Abschrauben der Klarsichthaube darf **nur** der untere Kolbenraum über den unteren Steuerluftanschluss mit Druckluft beaufschlagt sein.

7.1 Antriebsgröße 50, 63, 80 (Ø in mm)



Erforderliche Teile

- ① Gewindenippel
- ② Gewindestift M12 x 1,5
- ③ Mutter M12 x 1,5
- ⑤ O-Ring
- ⑥ Antriebsdeckel
- ⑦ Lauffbuchse

Bild 3: Antriebsgröße 50, 63, 80 (Ø in mm)
max. Hubbegrenzung ohne Stellungsrückmeldung

7.1.1 Arbeiten vor dem Einbau

- Zufuhr der Steuerluft und des Mediumstroms unterbrechen.
- Ventilgehäuse entleeren.
- Klarsichthaube vom Antriebsdeckel (6) abschrauben (Sicherheitshinweise Kapitel „7“ auf Seite 31 beachten!).
- Stellungsanzeige mit Innensechskantschlüssel (SW5) herausschrauben.

7.1.2 Einbau und Inbetriebnahme

- Gewindenippel (1) in Antriebsdeckel (6) einschrauben.
 - Schlüsselfläche am Rohr benutzen (SW17).
 - Max. Anziehdrehmoment: 15 Nm.
- Max. Hub durch Verstellen des Gewindestifts (2) einstellen.
- Gewindestift (2) mittels Mutter (3) sichern.
- Ventil auf Funktion und Dichtheit prüfen.

7.2 Antriebsgröße 100, 125 (Ø in mm)

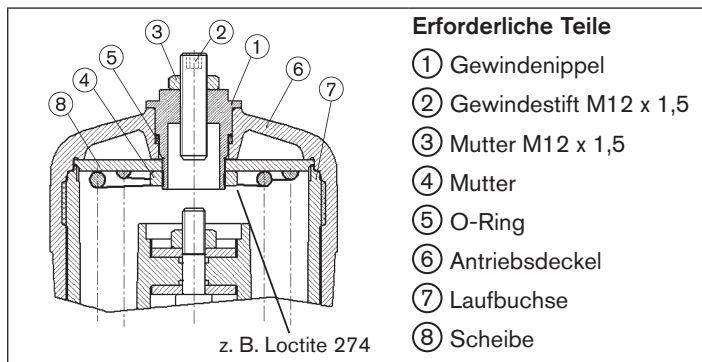


Bild 4: Antriebsgröße 100, 125 (Ø in mm),
max. Hubbegrenzung ohne Stellungsrückmeldung

7.2.1 Arbeiten vor dem Einbau

- Zufuhr der Steuerluft und des Mediumstroms unterbrechen.
- Ventilgehäuse entleeren.
- Klarsichthaube vom Antriebsdeckel (6) abschrauben (Sicherheitshinweise Kapitel „7“ auf Seite 31 beachten!).
- Stellungsanzeige mit Innensechskantschlüssel (SW8) herauschrauben.

HINWEIS!

Beschädigung durch falsches Werkzeug.

- ▶ Antriebsdeckel nur mit dem in Kapitel „12 Montagezubehör“ angebotenen Spezialschlüssel ein- oder ausschrauben.

- Antriebsdeckel (6) mit Spezialschlüssel abschrauben, dabei an der Lauffläche gehalten.

7.2.2 Einbau und Inbetriebnahme

HINWEIS!

Ausfall oder Beeinträchtigung der Funktion durch beschädigten O-Ring (5).

- O-Ring (5) vorsichtig einlegen.
- Zum Einlegen keine spitzen Gegenstände benutzen.

- Gewindenippel (1) in Antriebsdeckel (6) einstecken.
- Scheibe (8) in die Innenseite des Antriebsdeckels (6) einlegen.
- Antriebsdeckel (6) mit Mutter (4) am Gewindenippel (1) befestigen.
 - Schlüsselfläche am Rohr benutzen (SW24)
 - Max. Anziehdrehmoment: 20 Nm
- Mutter (4) mit Kleber (z. B. Loctite 274) sichern.
- Antriebsdeckel (6) mit Spezialschlüssel montieren.
 - Max. Anziehdrehmoment: Antriebsgröße Ø 100 mm = 45 Nm
Antriebsgröße Ø 125 mm = 60 Nm
- Max. Hub durch Verstellen des Gewindestifts (2) einstellen.
- Gewindestift (2) mit Mutter (3) sichern.
- Ventil auf Funktion und Dichtheit prüfen.

7.3 Antriebsgröße 175, 225 (Ø in mm)

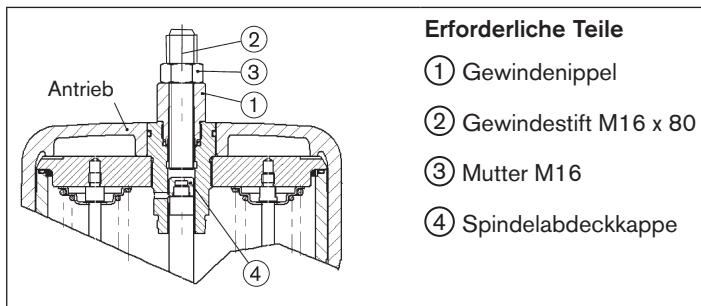


Bild 5: Antriebsgröße 175, 225 (Ø in mm),
max. Hubbegrenzung ohne Stellungsrückmeldung



WARNUNG!

Verletzungsgefahr und Funktionsausfall durch herauspringende oder verrutschte Teile.

Die Antriebe enthalten vorgespannte Federn, die bei unsachgemäßer Öffnung herauspringen oder verrutschen können.

- ▶ Die Antriebe Ø 175 mm und 225 mm dürfen nur vom Hersteller geöffnet werden.

7.3.1 Arbeiten vor dem Einbau

- Zufuhr des Mediumstroms unterbrechen.
- Ventilgehäuse entleeren.
- Antrieb in obere Kolbenposition bringen. Dazu den unteren Kolbenraum über den unteren Steuerluftanschluss mit Druckluft beaufschlagen (Steuerfunktion A und I).
- Klarsichthaube vom Antriebsdeckel abschrauben (Sicherheitshinweise Kapitel „7“ auf Seite 31 beachten!).
- Stellungsanzeige (gelbe Schraubkappe) von Hand abschrauben.
- Gewindebuchse bzw. Spindelabdeckkappe (4) anstelle der Stellungsanzeige auf Spindelende aufschrauben (SW14).
- Zufuhr der Steuerluft unterbrechen.

7.3.2 Einbau und Inbetriebnahme

- Gewindenippel (1) anstelle der Klarsichthaube in den Antrieb schrauben (SW27).
- Gewindestift (2) in Gewindenippel (1) einschrauben.
- Max. Hub durch Verstellen des Gewindestifts (2) einstellen.
- Gewindestift (2) mit Mutter (3) sichern.
- Ventil auf Funktion und Dichtheit prüfen.

8 MIN./MAX. HUBBEGRENZUNG mit optischer Stellungsanzeige



WARNUNG!

Gefahr durch hohen Druck.

- ▶ Vor dem Umbau der Geräte den Druck abschalten und Leitungen entlüften.

Verletzungsgefahr beim Abschrauben der Klarsichthaube.

Die Klarsichthaube darf beim Abschrauben nicht unter Druck stehen.

- ▶ Beim Abschrauben der Klarsichthaube darf **nur** der untere Kolbenraum über den unteren Steuerluftanschluss mit Druckluft beaufschlagt sein.



VORSICHT!

Quetschgefahr durch mechanisch bewegte Teile.

Zum Einstellen der Min./Max. Hubbegrenzung wird das Ventil geschaltet. Dadurch bewegt sich die Spindel.

- ▶ Während das Ventil schaltet keine freiliegenden Teile der Min./Max. Hubbegrenzung berühren.

8.1 Antriebsgröße 50, 63, 80 (Ø in mm)

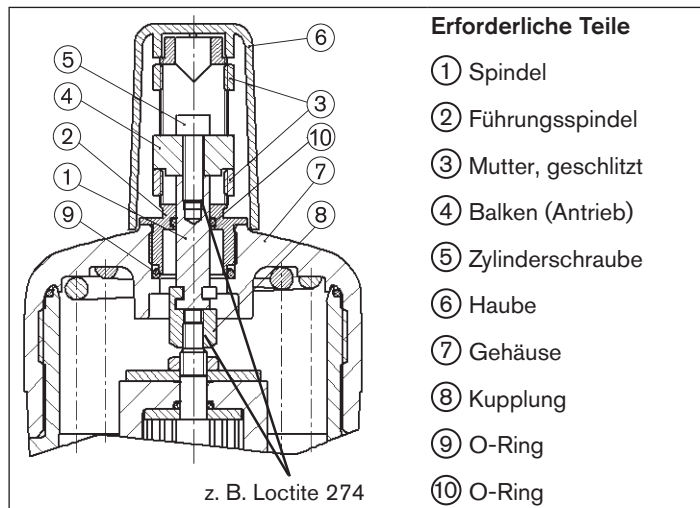


Bild 6: Antriebsgröße 50, 63, 80 (Ø in mm)
min./max. Hubbegrenzung mit optischer Stellungsanzeige

8.1.1 Einbau und Inbetriebnahme

- Kupplung (8) auf Ventilschraube schrauben und mit Kleber (z. B. Loctite 274) sichern.
- Spindel (1) in Kupplung (8) einhängen.
- Spindel (1) einfetten.
- O-Ring (10) einfetten und in Führungsspindel (2) einlegen.

- Führungsspindel (2) in Antriebsdeckel einschrauben.
 - Max. Anziehdrehmoment: 15 Nm
- Antriebsdeckel auf Ventil aufschrauben.
 - Max. Anziehdrehmoment:
 - Antriebsgröße Ø 50 mm = 15 Nm
 - Antriebsgröße Ø 63 mm = 20 Nm
 - Antriebsgröße Ø 80 mm = 35 Nm
- Untere Mutter (3) auf Führungsspindel (2) schrauben.
- Balken (4) auf Spindel (1) aufsetzen, mit Zylinderschraube (5) befestigen (Innensechskantschlüssel SW5 bzw. SW8) und mit Schraubensicherung (z. B. Loctite 274) sichern.
- Obere Mutter (3) auf Führungsspindel (2) aufschrauben.
- Den maximalen und minimalen Hub mittels oberer und unterer Mutter (3) einstellen.
- Ventil auf Funktion und Dichtheit prüfen.
- Haube (6) von Hand aufschrauben.

8.2 Antriebsgröße 100, 125 (Ø in mm)

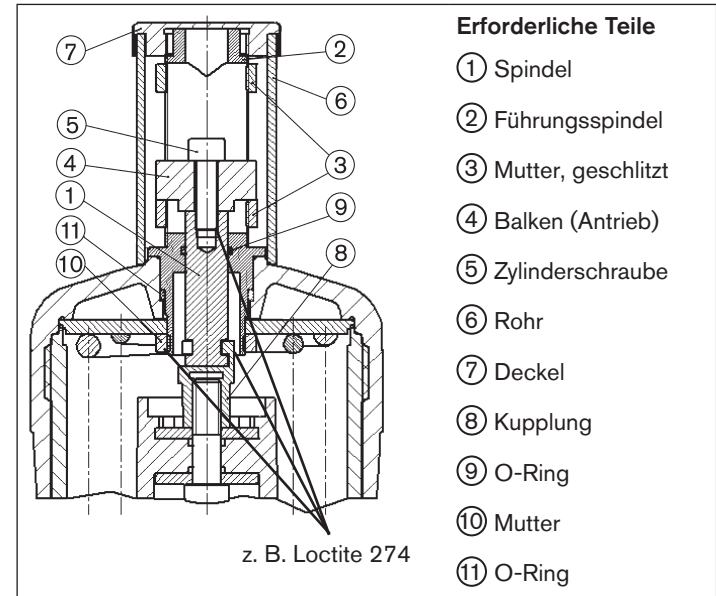


Bild 7: Antriebsgröße 100, 125 (Ø in mm),
min./max. Hubbegrenzung mit optischer Stellungsanzeige

8.2.1 Arbeiten vor dem Einbau

- Zufuhr der Steuerluft und des Mediumstroms unterbrechen.
- Ventilgehäuse entleeren.
- Klarsichthaube vom Antriebsdeckel (6) abschrauben (Sicherheitshinweise Kapitel „8“ auf Seite 34 beachten!).
- Stellungsanzeige mit Innensechskantschlüssel (SW5 bzw. SW8) herauserschrauben.

HINWEIS!

Beschädigung durch falsches Werkzeug.

- ▶ Antriebsdeckel nur mit dem in Kapitel „12 Montagezubehör“ angebotenen Spezialschlüssel ein- oder ausschrauben.

- Antriebsdeckel mit Spezialschlüssel abschrauben, dabei an der Laufbuchse gehalten.

8.2.2 Einbau und Inbetriebnahme

- Kupplung (8) auf Ventilschraube schrauben und mit Schraubensicherung (z. B. Loctite 274) sichern.
- Spindel (1) in Kupplung (8) einhängen.
- Spindel (1) einfetten.
- O-Ring (9) einfetten und in Führungsspindel (2) einlegen.
- Führungsspindel (2) in Antriebsdeckel einstecken.
- Scheibe in den Antriebsdeckel einlegen, mit der Mutter (10) an der Führungsspindel (2) befestigen und mit Schraubensicherung (z. B. Loctite 274) sichern.

- Dazu Schlüsselgröße an Führungsspindel (2) benutzen (SW24).
 - Max. Anziehdrehmoment: 20 Nm
- Antriebsdeckel auf Ventil aufschrauben
 - Max. Anziehdrehmoment:
Antriebsgröße Ø 100 mm = 45 Nm
Antriebsgröße Ø 125 mm = 60 Nm
- Untere Mutter (3) auf Führungsspindel (2) schrauben.
- Balken (4) auf Spindel (1) aufsetzen, mit Zylinderschraube (5) befestigen und mit Schraubensicherung (z. B. Loctite 274) sichern (Innensechskantschlüssel SW5 bzw. SW8).
- Obere Mutter (3) auf Führungsspindel (2) aufschrauben.
- Den maximalen und minimalen Hub mittels oberer und unterer Mutter (3) einstellen.
- Ventil auf Funktion und Dichtheit prüfen.
- Rohr (6) mit Deckel (7) von Hand aufschrauben.

8.3 Antriebsgröße 175 (Ø in mm)

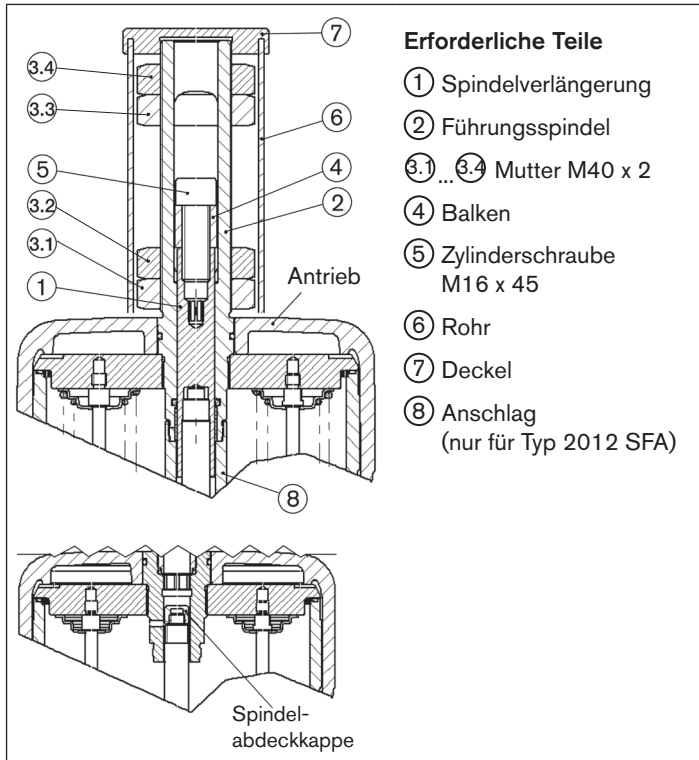


Bild 8: Antriebsgröße 175 (Ø in mm)
min./max. Hubbegrenzung mit optischer Stellungsanzeige



WARNUNG!

Verletzungsgefahr und Funktionsausfall durch herausspringende oder verrutschte Teile.

Die Antriebe enthalten vorgespannte Federn, die bei unsachgemäßer Öffnung herausspringen oder verrutschen können.

► Der Antrieb Ø 175 mm darf nur vom Hersteller geöffnet werden.

8.3.1 Arbeiten vor dem Einstellen des Maximal- und Minimalhubes

→ Zufuhr des Mediumstroms unterbrechen.

SFA und SFI

8.3.2 Einstellen des Minimalhubes

→ Deckel (7) abschrauben.

→ Rohr (6) entfernen.

→ Antrieb mit Steuerluft beaufschlagen, um Ventil zu öffnen.

→ Kontermutter (3.1) für Minimalhub lösen.

→ Einstellmutter (3.2) für Minimalhub in gewünschte Position schrauben.

→ Einstellung der Hubbegrenzung durch Schalten des Ventils überprüfen.

→ Mit Kontermutter (3.1) für Minimalhub sichern.

8.3.3 Einstellen des Maximalhubes

- Steuerluftzufuhr unterbrechen, um Ventil zu schließen.
- Kontermutter (3.4) für Maximalhub lösen.
- Einstellmutter (3.3) für Maximalhub in gewünschte Position schrauben.
- Einstellung der Hubbegrenzung durch Schalten des Ventil überprüfen.
- Mit Kontermutter (3.4) für Maximalhub sichern.
- Rohr (6) aufstecken und Deckel (7) aufschrauben.

SFB

8.3.4 Einstellen des Minimalhubes

- Deckel (7) abschrauben.
- Rohr (6) entfernen.
- Kontermutter (3.1) für Minimalhub lösen.
- Einstellmutter (3.2) für Minimalhub in gewünschte Position schrauben.
- Einstellung der Hubbegrenzung durch Schalten des Ventils überprüfen.
- Mit Kontermutter (3.1) für Maximalhub sichern.

8.3.5 Einstellen des Maximalhubes

- Antrieb mit Steuerluft beaufschlagen, um Ventil zu schließen.
- Kontermutter (3.4) für Maximalhub lösen.
- Einstellmutter (3.3) für Maximalhub in gewünschte Position schrauben.
- Einstellung der Hubbegrenzung durch Schalten des Ventils überprüfen.
- Mit Kontermutter (3.4) für Maximalhub sichern.
- Steuerluftzufuhr unterbrechen, um Ventil zu öffnen.
- Rohr (6) aufstecken und Deckel (7) aufschrauben.

9 HANDRAD



GEFAHR!

Gefahr durch hohen Druck.

- ▶ Vor dem Umbau der Geräte den Druck abschalten und Leitungen entlüften.

Verletzungsgefahr beim Abschrauben der Klarsichthaube.

Die Klarsichthaube darf beim Abschrauben nicht unter Druck stehen.

- ▶ Beim Abschrauben der Klarsichthaube darf **nur** der untere Kolbenraum über den unteren Steuerluftanschluss mit Druckluft beaufschlagt sein.

9.1 Antriebsgröße 50 bis 125 (Ø in mm)

9.1.1 Arbeiten vor dem Einbau

- Zufuhr der Steuerluft und des Mediumstroms unterbrechen.
- Ventilgehäuse entleeren.
- Klarsichthaube vom Antriebsdeckel (6) abschrauben (Sicherheitshinweise Kapitel „9“ auf Seite 39 beachten!).
- Stellungsanzeige mit Innensechskantschlüssel (SW5 bzw. 8) herauschrauben..

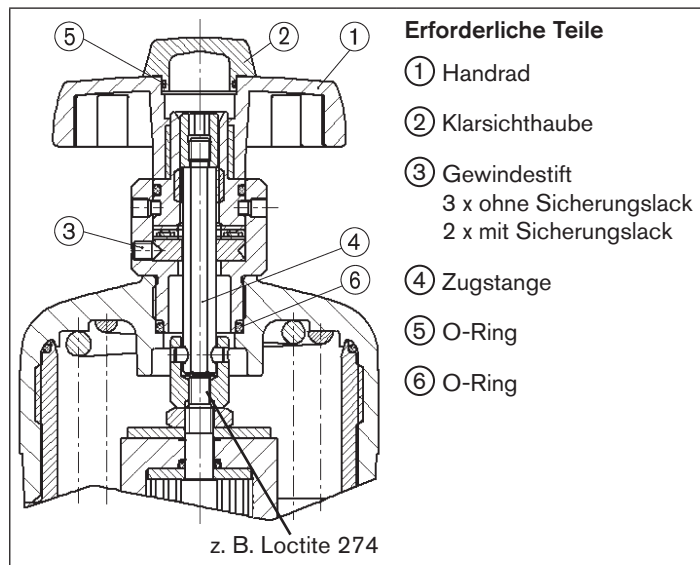


Bild 9: Antriebsgröße 50 bis 125 (Ø in mm) mit Handrad

9.1.2 Einbau und Inbetriebnahme

- Klarsichthaube (2) vom Handrad (1) vorsichtig mit einem geeigneten Werkzeug abhebeln (Klarsichthaube nur aufgesteckt, kein Gewinde).
- Prüfen:
 - Gewindestifte (3) ohne Sicherungslack (3 Stück) sind lose
 - Zugstange (4) ist am unteren Anschlag

(mit Innensechskantschlüssel SW5 bzw. SW8 einstellbar).

- Handrad auf Antriebsdeckel schrauben, dazu Schlüsselfläche am Handrad benutzen und am Ventil gegenhalten.
 - Max. Anziehdrehmoment:
 - Antriebsgröße Ø 50, 63, 80 mm = 15 Nm
 - Antriebsgröße Ø 100, 125 mm = 20 Nm
- Zugstange (4) mit Innensechskantschlüssel SW5 bzw. SW8 auf Antriebsspindel schrauben und mit Schraubensicherung (z. B. Loctite 274) sichern.

HINWEIS!

Ausfall oder Beeinträchtigung der Funktion durch gelockerte Schrauben.

- Die mit Sicherungslack gesicherten Schrauben dürfen nicht gelockert werden, sonst ist eine einwandfreie Funktion nicht mehr gewährleistet.

- Gewindestifte (3) ohne Sicherungslack (3 Stück, SW2,5) fest anziehen.
- Ventil auf Funktion und Dichtheit prüfen.
- Handrad (1) zum Öffnen nach links drehen.

HINWEIS!

Ausfall oder Beeinträchtigung der Funktion durch beschädigten O-Ring ⑤.

- O-Ring ⑤ vorsichtig einlegen.
- Zum Einlegen keine spitzen Gegenstände benutzen.

- Klarsichthaube (2) mit O-Ring (5) aufstecken.

10 ELEKTRISCHER STELLUNGSRÜCKMELDER mit optischer Stellungsanzeige



GEFAHR!

Gefahr durch hohen Druck.

Vor dem Umbau der Geräte den Druck abschalten und Leitungen entlüften.

Verletzungsgefahr beim Abschrauben der Klarsichthaube.

Die Klarsichthaube darf beim Abschrauben nicht unter Druck stehen.

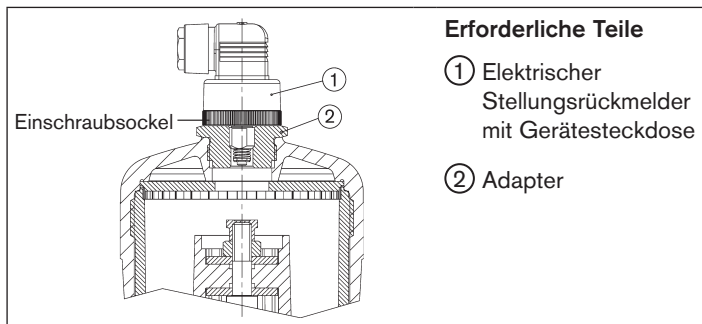
- ▶ Beim Abschrauben der Klarsichthaube darf **nur** der untere Kolbenraum über den unteren Steuerluftanschluss mit Druckluft beaufschlagt sein.

HINWEIS!

Beschädigung des Mikroschalters.

- ▶ Zum Ein- oder Ausschrauben des elektrischen Stellungsrückmelders keinesfalls die Gerätesteckdose als Hebel benutzen, sondern an den Einschraubsockel des Stellungsrückmelders fassen.

10.1 Antriebsgröße 50, 63, 80 (Ø in mm)



Erforderliche Teile

- ① Elektrischer Stellungsrückmelder mit Gerätesteckdose
- ② Adapter

Bild 10: Antriebsgröße 50, 63, 80 (Ø in mm) mit elektrischem Stellungsrückmelder

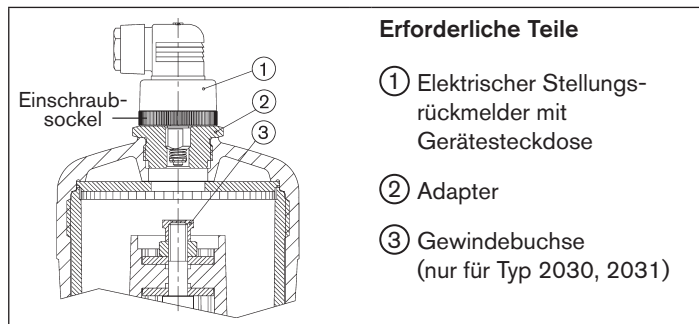
10.1.1 Arbeiten vor dem Einbau

- Zufuhr der Steuerluft und des Mediumstroms unterbrechen.
- Klarsichthaube vom Antriebsdeckel (6) abschrauben (Sicherheitshinweise Kapitel „10“ auf Seite 40 beachten!).
- Stellungsanzeige mit Innensechskantschlüssel (SW5) abschrauben.

10.1.2 Einbau und Inbetriebnahme

- Adapter (2) anstelle der Klarsichthaube auf den Antrieb schrauben (siehe „Bild 10“).
- Elektrischen Stellungsrückmelder (1) in den Adapter (2) schrauben, dabei den Hinweis in Kapitel „10“ beachten.

10.2 Antriebsgröße 100, 125 (Ø in mm)



Erforderliche Teile

- ① Elektrischer Stellungsrückmelder mit Gerätesteckdose
- ② Adapter
- ③ Gewindebuchse (nur für Typ 2030, 2031)

Bild 11: Antriebsgröße 100, 125 (Ø in mm) mit elektrischem Stellungsrückmelder

10.2.1 Arbeiten vor dem Einbau

- Zufuhr des Mediumstroms unterbrechen.
- Ventilgehäuse entleeren.
- Antrieb in obere Kolbenposition bringen. Dazu den unteren Kolbenraum über den unteren Steuerluftanschluss mit Druckluft beaufschlagen (Steuerfunktion A und I).
- Klarsichthaube vom Antriebsdeckel (6) abschrauben (Sicherheitshinweise Kapitel „10“ auf Seite 40 beachten!).
- Stellungsanzeige mit Innensechskantschlüssel (SW8) abschrauben.
- **Typ 2030, 2031:** Gewindebuchse (3) auf die Antriebsspindel schrauben (SW14).
- Danach Zufuhr der Steuerluft unterbrechen.

10.2.2 Einbau und Inbetriebnahme

- Adapter (2) anstelle der Klarsichthaube auf den Antrieb schrauben (siehe „Bild 11“).
- Elektrischen Stellungsrückmelder (1) in den Adapter (2) schrauben, dabei den Hinweis in Kapitel „10“ beachten.

10.3 Antriebsgröße 175, 225 (Ø in mm)

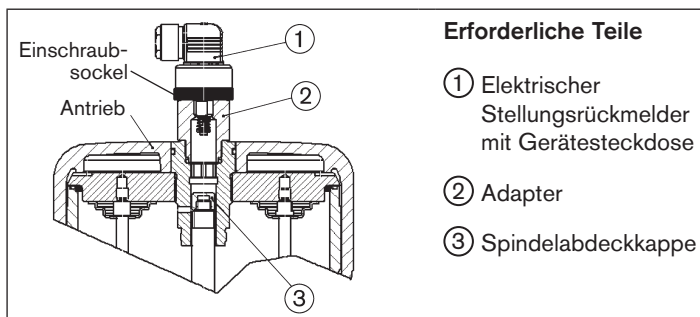


Bild 12: Antriebsgröße 175, 225 (Ø in mm) mit elektrischem Stellungsrückmelder

! WARNUNG!

Verletzungsgefahr und Funktionsausfall durch herauspringende oder verrutschte Teile.

Die Antriebe enthalten vorgespannte Federn, die bei unsachgemäßer Öffnung herauspringen oder verrutschen können.

- ▶ Die Antriebe Ø 175 mm und 225 mm dürfen nur vom Hersteller geöffnet werden.

10.3.1 Arbeiten vor dem Einbau

- Zufuhr des Mediumstroms unterbrechen.
- Ventilgehäuse entleeren.
- Antrieb in obere Kolbenposition bringen. Dazu den unteren Kolbenraum über den unteren Steuerluftanschluss mit Druckluft beaufschlagen (Steuerfunktion A und I).
- Klarsichthaube vom Antriebsdeckel (6) abschrauben (Sicherheitshinweise Kapitel „10“ auf Seite 40 beachten!).
- Stellungsanzeige (gelbe Schraubkappe) von Hand abschrauben.
- Spindelabdeckkappe (3) anstelle der Stellungsanzeige auf Spindelende aufschrauben (SW14).
- Danach Zufuhr der Steuerluft unterbrechen.

10.3.2 Einbau und Inbetriebnahme

- Adapter (2) anstelle der Klarsichthaube auf den Antrieb schrauben (siehe „Bild 12“).
- Elektrischen Stellungsrückmelder (1) in den Adapter (2) schrauben, dabei den Hinweis in Kapitel „10“ beachten.

11 ELEKTRISCHER ANSCHLUSS

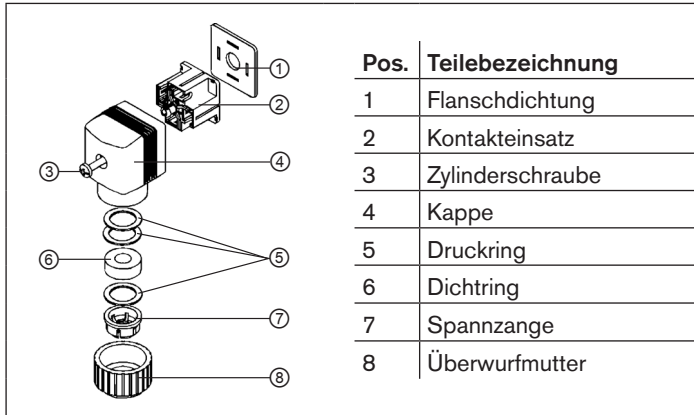


Bild 13: Anschluss der Gerätesteckdose

→ Zylinderschraube (3) an der Gerätesteckdose lösen und diese abnehmen.

HINWEIS!

Funktionsausfall durch verbogene Steckerfahnen, die den Wiedereinbau des Kontakteinsatzes verhindern.

▶ Den Kontakteinsatz vorsichtig herausnehmen und darauf achten, dass die Steckerfahnen nicht verbogen werden.

→ Hohlsschraube im Kontakteinsatz (2) lösen, Kontakteinsatz aus Kappe nehmen.

→ Kabel durch Überwurfmutter (8) führen.

→ Anschluss entsprechend der Schaltung vornehmen (siehe „Bild 14: Elektrische Schaltung“).

Max. Anschlusswerte: 5 A bei 250 V AC
0,25 A bei 250 V DC.

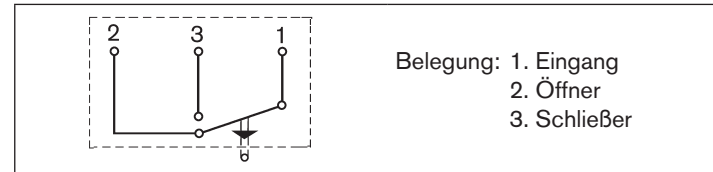


Bild 14: Elektrische Schaltung

→ Kontakteinsatz (2) in die Kappe (4) einsetzen und mit Hohlsschraube anschrauben.

→ Gerätesteckdose mit Zylinderschraube (3) anschrauben (Anziehdrehmoment 0,5 Nm bzw. handfest), dabei auf sicheren Sitz der Flachdichtung (6) achten.

→ Überwurfmutter von Hand festziehen.

→ Ventil auf Funktion und Dichtheit prüfen.

12 MONTAGEZUBEHÖR

Produkt	Antriebsgröße (Ø in mm)	Bestell-Nr.
Spezialschlüssel	50	639 175
	63	639 170
	80	639 171
	100	639 172
	125	639 173

13 BESTELLDATEN ZUBEHÖR

Produkt	Antriebsgröße (Ø in mm)	Bestell-Nr.
Max. Hubbegrenzung ohne Stellungsrückmeldung	50, 63, 80	637 866
	100	637 867
	125	637 868
	175, 225	655 600
Min./max. Hub- begrenzung mit optischer Stellungsanzeige	50, 63, 80	636 820
	100	636 821
	125	640 703
	175 nur Typ 2030, 2031	655 631
	175 nur Typ 2012	659 038
Handrad	50, 63, 80	636 822
	100, 125	636 823
Elektrischer Stellungsrückmelder Typ 1060	50, 63, 80	701 515
	100, 125	701 516
	175, 225	655 696

Instructions de montage pour les accessoires

Inhalt:

1 INSTRUCTIONS	46	7 LIMITEUR DE COURSE MAX.	52
1.1 Symboles.....	46	7.1 Taille d'actionneur 50, 63, 80 (Ø en mm).....	52
1.2 Définition des termes.....	46	7.2 Taille d'actionneur 100, 125 (Ø en mm).....	53
2 UTILISATION CONFORME	47	7.3 Taille d'actionneur 175, 225 (Ø en mm).....	54
3 CONSIGNES DE SÉCURITÉ FONDAMENTALES	47	8 LIMITEUR DE COURSE MIN. / MAX.	55
3.1 Consignes de sécurité et d'avertissement spécifiques au type	48	8.1 Taille d'actionneur 50, 63, 80 (Ø en mm).....	55
4 REMARQUES GÉNÉRALES	49	8.2 Taille d'actionneur 100, 125 (Ø en mm).....	56
4.1 Adresses	49	8.3 Taille d'actionneur 175 (Ø en mm).....	58
4.2 Garantie.....	49	9 VOLANT	60
4.3 Excipients recommandés.....	49	9.1 Taille d'actionneur 50 à 125 (Ø en mm).....	60
5 APERÇU DES ACCESSOIRES	49	10 INDICATEUR DE POSITION ÉLECTRIQUE	61
5.1 Limiteur de course, version simple.....	49	10.1 Taille d'actionneur 50, 63, 80 (Ø en mm).....	62
5.2 Limiteur de course min. / max.....	50	10.2 Taille d'actionneur 100, 125 (Ø en mm).....	62
5.3 Volant	50	10.3 Taille d'actionneur 175, 225 (Ø en mm).....	63
5.4 Indicateur de position électrique	51	11 RACCORDEMENT ÉLECTRIQUE	64
6 RACCORDS D'AIR DE PILOTAGE	51	12 ACCESSOIRES DE MONTAGE	64
6.1 Taille d'actionneur 50, 63, 80 et 100, 125 (Ø en mm) ..	51	13 DONNÉES DE COMMANDE DES ACCESSOIRES	65
6.2 Taille d'actionneur 175 et 225 (Ø en mm)	51		

1 INSTRUCTIONS

Les instructions de montage décrivent la procédure à suivre pour le montage et la mise en service des accessoires de type 2000, 2006, 2012, 2030, 2031, 2032 et 2033.

Conserver ces instructions de sorte qu'elles soient à portée de chaque utilisateur et à disposition de chaque nouveau propriétaire de l'appareil.

Les instructions comprennent des informations importantes sur la sécurité.

Le non-respect des indications fournies peut entraîner des situations dangereuses.

- ▶ Les instructions doivent être lues et comprises avant de commencer les travaux d'installation.

1.1 Symboles



DANGER !

Met en garde contre un danger imminent.

- ▶ Le non-respect entraîne la mort ou de graves blessures.



AVERTISSEMENT !

Met en garde contre une situation potentiellement dangereuse.

- ▶ Le non-respect peut entraîner la mort ou de graves blessures.



ATTENTION !

Met en garde contre un risque potentiel.

- ▶ Le non-respect peut entraîner des blessures modérées ou légères.

REMARQUE !

Met en garde contre des dommages matériels.

- ▶ Le non-respect peut endommager l'appareil ou l'installation.



désigne des informations complémentaires importantes, des conseils et des recommandations.



renvoie à des informations dans le présent manuel d'utilisation ou dans d'autres documentations.

- ▶ identifie une consigne pour éviter un danger.

→ identifie une opération que vous devez effectuer.

1.2 Définition des termes

Le terme « appareil » utilisé dans ces instructions désigne toujours le type 2000, 2006, 2012, 2030, 2031, 2032, 2033.

Fonction	Définition
A (FA)	Fermé en position de repos par la force du ressort.
B (FB)	Ouvert en position de repos par la force du ressort.
I (FI)	Fonction de positionnement par alimentation mutuelle en pression.

2 UTILISATION CONFORME

- ▶ Les actionneurs et leurs accessoires doivent être utilisés uniquement dans les cas prévus et décrits dans les manuels d'utilisation et uniquement en liaison avec des appareils et composants d'autres fabricants recommandés et agréés par Bürkert. Toute autre utilisation ou toute utilisation dépassant ce cadre est considérée comme non conforme.
- ▶ Respectez les consignes de ces instructions de montage ainsi que les conditions d'utilisation et les données admissibles spécifiées dans les manuels d'utilisation et sur la plaque signalétique des composants utilisés.
- ▶ Le fonctionnement parfait et sûr des appareils pré suppose un transport, un stockage et une installation appropriés ainsi qu'une utilisation et une maintenance soigneuses.

3 CONSIGNES DE SÉCURITÉ FONDAMENTALES

Ces consignes de sécurité ne tiennent pas compte

- des hasards et des événements pouvant survenir lors de l'installation, de l'exploitation et de la maintenance des appareils.
- des prescriptions de sécurité locales, pour l'application desquelles l'exploitant est responsable, y compris concernant le personnel de montage.



DANGER !

Danger dû à la haute pression.

- ▶ Avant de desserrer les conduites et les vannes, couper la pression et purger les conduites.

Danger dû à la tension électrique.

- ▶ Avant d'intervenir dans l'appareil ou l'installation, couper la tension et empêcher toute remise sous tension !
- ▶ Respecter les règles de prévention des accidents et de sécurité en vigueur pour les appareils électriques.

Risque de blessure en dévissant le capot transparent.

Le capot transparent ne doit pas se trouver sous pression lors du dévissage.

- ▶ Lors du dévissage du capot transparent, **seule** la chambre inférieure du piston doit être alimentée en air comprimé via le raccord d'air de pilotage inférieur.

**AVERTISSEMENT !****Situations dangereuses d'ordre général.**

Pour prévenir toute blessure, tenir compte de ce qui suit :

- ▶ L'actionnement par inadvertance de l'installation ne doit pas être possible.
- ▶ Les travaux d'installation et d'entretien doivent être effectués uniquement par des techniciens qualifiés et habilités disposant de l'outillage approprié. Utilisez uniquement des pièces de rechange d'origine.
- ▶ Après une coupure de l'alimentation électrique ou pneumatique, un redémarrage défini ou contrôlé du processus doit être garanti.

Pour prévenir tout dommage matériel sur l'appareil, respecter ce qui suit :

- ▶ Pour visser ou dévisser l'indicateur de position électrique, n'utiliser en aucun cas le connecteur comme levier, mais saisir le socle de vissage l'indicateur de position.



Les actionneurs et accessoires ont été développés en tenant compte des règles de sécurité reconnues et correspondent à l'état de la technique. Néanmoins, des dangers peuvent survenir. N'utilisez les appareils que lorsqu'ils sont en parfait état et conformément aux instructions du manuel d'utilisation. Respectez les instructions de travail, leur ordre ainsi que les consignes de sécurité et les marquages de sécurité lors du montage des composants respectifs.

3.1 Consignes de sécurité et d'avertissement spécifiques au type

3.1.1 Consignes de sécurité pour les actionneurs 175 et 225 (Ø en mm)

**AVERTISSEMENT !**

Risque de blessure et de dysfonctionnement dû à des pièces qui sautent ou qui glissent.

Les actionneurs comprennent des ressorts précontraints qui peuvent sauter ou glisser en cas d'ouverture non conforme.

- ▶ Les actionneurs Ø 175 mm et 225 mm ne peuvent être ouverts que par le fabricant.

3.1.2 Remarque relative aux actionneurs 50, 63, 80, 100, 125 (Ø en mm)

REMARQUE !

Endommagement des actionneurs dû à l'utilisation d'outils incorrects.

- Seuls les outils spécialement proposés par Bürkert peuvent être utilisés pour visser le couvercle d'actionneur (voir chapitre « [12 Accessoires de montage](#) »).

3.1.3 Remarque relative aux actionneurs DN80 125 (Ø en mm)

REMARQUE !

Pour la version de l'actionneur DN80 Ø 125, le fonctionnement avec limiteur de course maxi, limitation de course min./max. et volant n'est pas autorisé.

4 REMARQUES GÉNÉRALES

4.1 Adresses

Allemagne Bürkert Fluid Control Systems
Sales Center
Christian-Bürkert-Str. 13-17
D-74653 Ingelfingen
Tel. + 49 (0) 7940 - 10 91 111
Fax + 49 (0) 7940 - 10 91 448
E-mail: info@burkert.com

International

Vous trouverez les adresses de contact sur les dernières pages du guide imprimé, ainsi que sur Internet à l'adresse suivante : www.burkert.com

4.2 Garantie

La condition préalable à la garantie est l'utilisation conforme des actionneurs et des accessoires dans le respect des conditions d'utilisation spécifiées.


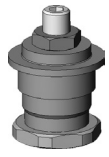

4.3 Excipients recommandés

Les produits auxiliaires suivants sont recommandés pour l'installation des accessoires :



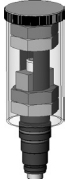
Produit auxiliaire ou excipient	Désignation	Fabricant et adresse internet
Produit d'étanchéité et lubrifiant	Graisse multi-silicone OKS 1110	OKS Schmierstoffe GmbH www.oks-germany.com
Colle liquide	LOCTITE 274	Henkel Loctite Deutschland GmbH www.loctite.de

5 APERÇU DES ACCESSOIRES


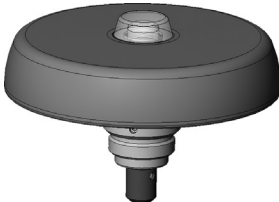
5.1 Limiteur de course, version simple

	Taille d'actionneur 50 à 80 (Ø en mm) Particularité : uniquement pour la fonction de commande A
	Taille d'actionneur 100, 125 (Ø en mm) Particularités : uniquement pour la fonction de commande A ne peut être monté qu'avec une clé spéciale pour couvercle d'actionneur
	Taille d'actionneur 175, 225 (Ø en mm) Particularité : uniquement pour la fonction de commande A

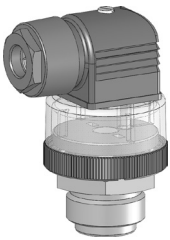
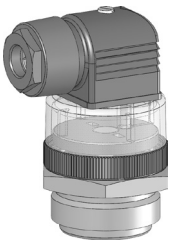
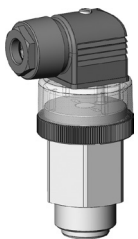
5.2 Limiteur de course min. / max.

	<p>Taille d'actionneur 50 à 80 (Ø en mm)</p>
	<p>Taille d'actionneur 100, 125 (Ø en mm) Particularité : ne peut être monté qu'avec une clé spéciale pour couvercle d'actionneur</p>
	<p>Taille d'actionneur 175 (Ø en mm)</p>

5.3 Volant

	<p>Taille d'actionneur 50 à 80 (Ø en mm) Particularité : uniquement pour la fonction de commande A</p>
	<p>Taille d'actionneur 100, 125 (Ø en mm) Particularité : uniquement pour la fonction de commande A</p>

5.4 Indicateur de position électrique

	<p>Taille d'actionneur 50 à 80 (Ø en mm) type 1060</p>
	<p>Taille d'actionneur 100, 125 (Ø en mm) type 1060</p>
	<p>Taille d'actionneur 175, 225 (Ø en mm) type 1060</p>

6 RACCORDS D'AIR DE PILOTAGE



DANGER !

Danger dû à la haute pression.

- ▶ Avant de desserrer les conduites et les vannes, couper la pression et purger les conduites.

6.1 Taille d'actionneur 50, 63, 80 et 100, 125 (Ø en mm)

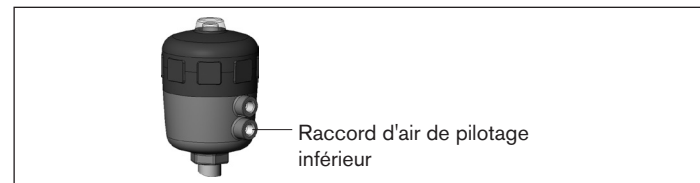


Figure 1 : Raccord d'air de pilotage inférieur, taille d'actionneur 50, 63, 80 et 100, 125 (Ø en mm)

6.2 Taille d'actionneur 175 et 225 (Ø en mm)

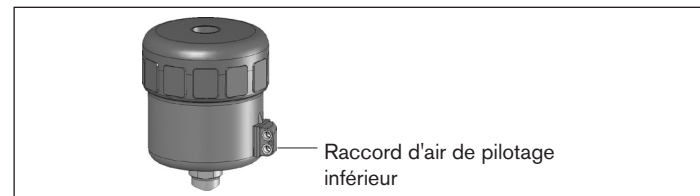


Figure 2 : Raccord d'air de pilotage inférieur, taille d'actionneur 175 et 225 (Ø en mm)

7 LIMITEUR DE COURSE MAX. SANS MESSAGE DE RETOUR DE POSITION



DANGER !

Danger dû à la haute pression.

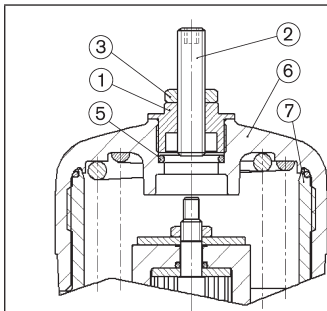
- ▶ Couper la pression et purger les conduites avant de modifier les appareils.

Risque de blessure en dévissant le capot transparent.

Le capot transparent ne doit pas se trouver sous pression lors du dévissage.

- ▶ Lors du dévissage du capot transparent, seule la chambre inférieure du piston doit être alimentée en air comprimé via le raccord d'air de pilotage inférieur.

7.1 Taille d'actionneur 50, 63, 80 (Ø en mm)



Pièces nécessaires

- ① Raccord à vis
- ② Vis sans tête M12 x 1,5
- ③ Écrou M12 x 1,5
- ⑤ Joint torique
- ⑥ Couvercle d'actionneur
- ⑦ Douille de guidage

7.1.1 Travaux avant installation

- Interrompre l'alimentation en air de pilotage et le flux de fluide.
- Vidanger le corps de vanne.
- Dévisser le capot transparent du couvercle d'actionneur (6) (respecter les consignes de sécurité du chapitre « 7 » à la page 52 !).
- Dévisser l'indicateur de position avec une clé pour vis à six pans creux (SW5).

7.1.2 Installation et mise en service

- Visser le raccord à vis (1) dans le couvercle d'actionneur (6).
 - Utiliser le méplat de la clé sur le tube (SW17).
 - Couple de vissage max. : 15 Nm.
- Régler la course maxi en réglant la vis sans tête (2).
- Bloquer la vis sans tête (2) avec l'écrou (3).
- Contrôler le fonctionnement et l'étanchéité de la vanne.

Figure 3 : Taille d'actionneur 50, 63, 80 (Ø en mm) limitation de

7.2 Taille d'actionneur 100, 125 (Ø en mm)

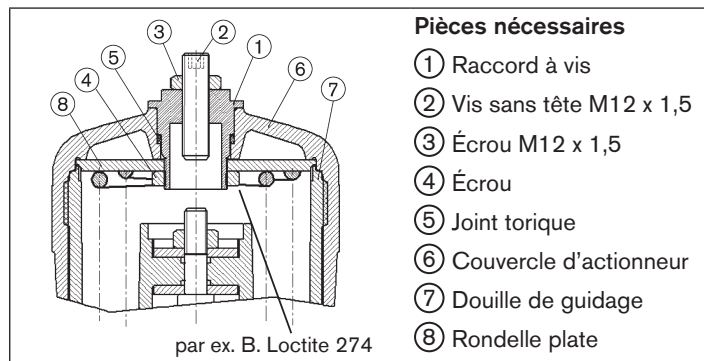


Figure 4 : Taille d'actionneur 100, 125 (Ø en mm),
limiteur de course maxi sans message de retour de position

7.2.1 Travaux avant installation

- Interrompre l'alimentation en air de pilotage et le flux de fluide.
- Vidanger le corps de vanne.
- Dévisser le capot transparent du couvercle d'actionneur (6) (respecter les consignes de sécurité du chapitre « 7 » à la page 52 !).
- Dévisser l'indicateur de position avec une clé pour vis à six pans creux (SW8).

REMARQUE !

Domages causés par un outil inapproprié.

- ▶ Ne visser ou dévisser le couvercle d'actionneur qu'avec la clé spéciale proposée au chapitre « 12 Accessoires de montage ».

→ Dévisser le couvercle d'actionneur (6) avec une clé spéciale, tout en maintenant la surface de roulement.

7.2.2 Installation et mise en service

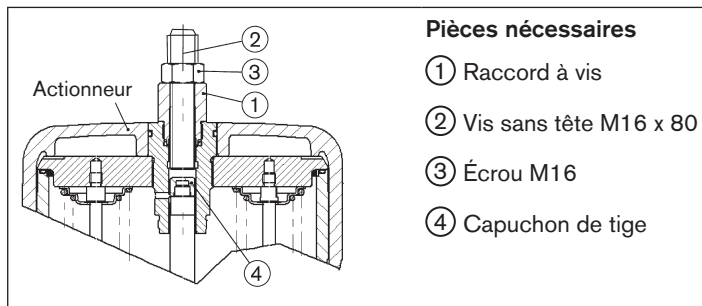
REMARQUE !

Défaillance ou altération du fonctionnement en raison d'un joint torique endommagé (5).

- Insérer le joint torique (5) avec précaution.
- Ne pas utiliser d'objets pointus pour l'insertion.

- Insérer le raccord à vis (1) dans le couvercle d'actionneur (6).
- Placer la rondelle plate (8) à l'intérieur du couvercle d'actionneur (6).
- Fixer le couvercle d'actionneur (6) avec l'écrou (4) sur le raccord à vis (1).
 - Utiliser le méplat de la clé sur le tube (SW24)
 - Couple de vissage max. : 20 Nm
- Bloquer l'écrou (4) avec de la colle (par ex. Loctite 274).
- Monter le couvercle d'actionneur (6) avec une clé spéciale.
 - Couple de vissage maxi : Taille d'actionneur Ø 100 mm = 45 Nm
Taille d'actionneur Ø 125 mm = 60 Nm
- Régler la course maxi en réglant la vis sans tête (2).
- Bloquer la vis sans tête (2) avec l'écrou (3).
- Contrôler le fonctionnement et l'étanchéité de la vanne.

7.3 Taille d'actionneur 175, 225 (Ø en mm)



Pièces nécessaires

- ① Raccord à vis
- ② Vis sans tête M16 x 80
- ③ Écrou M16
- ④ Capuchon de tige

Figure 5 : Taille d'actionneur 175, 225 (Ø en mm),
limiteur de course maxi sans message de retour de position



AVERTISSEMENT !

Risque de blessure et de dysfonctionnement dû à des pièces qui sautent ou qui glissent.

Les actionneurs comprennent des ressorts précontraints qui peuvent sauter ou glisser en cas d'ouverture non conforme.

- ▶ Les actionneurs Ø 175 mm et 225 mm ne peuvent être ouverts que par le fabricant.

7.3.1 Travaux avant installation

- Interrompre l'alimentation du flux de fluide.
- Vidanger le corps de vanne.
- Mettre l'actionneur en position haute du piston. Pour ce faire, alimenter la chambre inférieure du piston en air comprimé via le raccord d'air de pilotage inférieur (fonctions de commande A et I).
- Dévisser le capot transparent du couvercle d'actionneur (respecter les consignes de sécurité au chapitre « 7 » à la page 52 !).
- Dévisser l'indicateur de position (capuchon à vis jaune) à la main.
- Visser la douille filetée ou le capuchon de tige (4) à la place de l'indicateur de position sur l'extrémité de la tige (SW14).
- Couper l'alimentation en air de pilotage.

7.3.2 Installation et mise en service

- Visser le raccord à vis (1) dans l'actionneur à la place du capot transparent (SW27).
- Visser la vis sans tête (2) dans le raccord à vis (1).
- Régler la course maxi en réglant la vis sans tête (2) .
- Bloquer la vis sans tête (2) avec l'écrou (3) .
- Contrôler le fonctionnement et l'étanchéité de la vanne.

8 LIMITEUR DE COURSE MIN. / MAX. AVEC INDICATEUR DE POSITION OPTIQUE



AVERTISSEMENT !

Danger dû à la haute pression.

- ▶ Couper la pression et purger les conduites avant de modifier les appareils.

Risque de blessure en dévissant le capot transparent.

Le capot transparent ne doit pas se trouver sous pression lors du dévissage.

- ▶ Lors du dévissage du capot transparent, **seule** la chambre inférieure du piston doit être alimentée en air comprimé via le raccord d'air de pilotage inférieur.



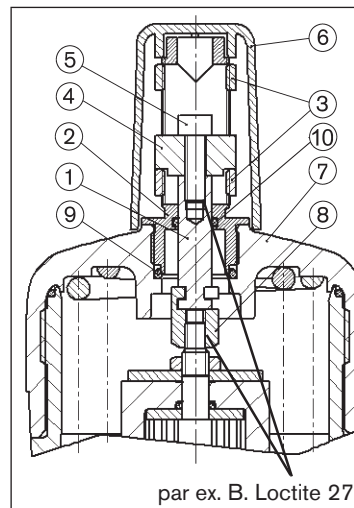
ATTENTION !

Risque d'écrasement dû à des pièces mécaniques en mouvement.

Pour le réglage du limiteur de course min./max., la vanne est commutée. Cela entraîne le déplacement de la tige.

- ▶ Ne pas toucher les parties exposées du limiteur de course min./max. pendant la commutation de la vanne.

8.1 Taille d'actionneur 50, 63, 80 (Ø en mm)



Pièces nécessaires

- ① Tige
- ② Tige de guidage
- ③ Écrou, fendu
- ④ Barres (actionneur)
- ⑤ Vis à tête cylindrique
- ⑥ Capot
- ⑦ Corps
- ⑧ Accouplement
- ⑨ Joint torique
- ⑩ Joint torique

Figure 6 : Taille d'actionneur 50, 63, 80 (Ø en mm) min./max. Limiteur de course avec indicateur de position optique

8.1.1 Installation et mise en service

- Visser l'accouplement (8) sur la tige de vanne et le fixer avec la colle (p. ex. Loctite 274).
- Accrocher la tige (1) dans l'accouplement(8).
- Graisser la tige (1).

- Graisser le joint torique (10) et l'insérer dans la tige de guidage (2).
- Visser la tige de guidage (2) dans le couvercle d'actionneur.
 - Couple de vissage max. : 15 Nm
- Visser le couvercle d'actionneur sur la vanne.
 - Couple de vissage max. :
Taille d'actionneur Ø 50 mm = 15 Nm
Taille d'actionneur Ø 63 mm = 20 Nm
Taille d'actionneur Ø 80 mm = 35 Nm
- Visser l'écrou inférieur (3) sur la tige de guidage (2).
- Monter la barre (4) sur la tige (1), la bloquer à l'aide de la vis à tête cylindrique (5) (clé pour vis à six pans creux SW5 ou SW8) et la fixer avec du produit de blocage (p. ex. Loctite 274).
- Visser l'écrou supérieur (3) sur la tige de guidage (2).
- Régler la course maximale et minimale à l'aide des écrous supérieur et inférieur (3).
- Contrôler le fonctionnement et l'étanchéité de la vanne.
- Dévisser le capot (6) à la main.

8.2 Taille d'actionneur 100, 125 (Ø en mm)

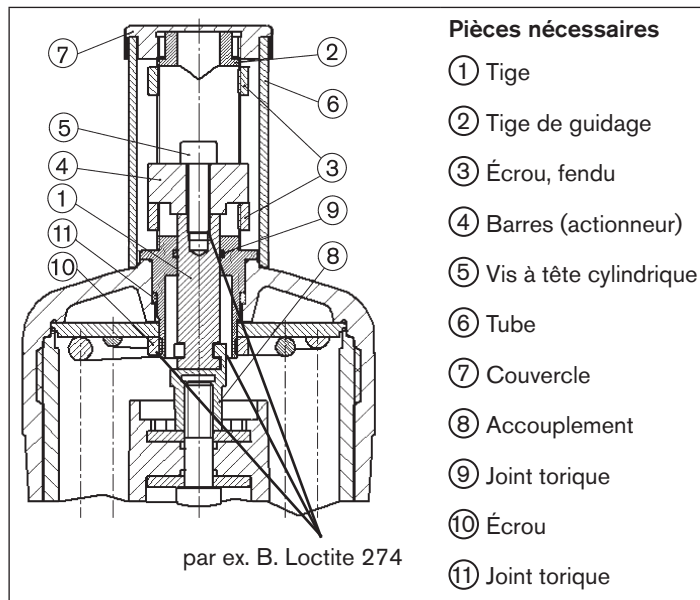


Figure 7 : Taille d'actionneur 100, 125 (Ø en mm),
min./max. Limiteur de course avec indicateur de position optique

8.2.1 Travaux avant installation

- Interrompre l'alimentation en air de pilotage et le flux de fluide.
- Vidanger le corps de vanne.
- Dévisser le capot transparent du couvercle d'actionneur (6) (respecter les consignes de sécurité du chapitre « 8 » à la page 55 !).
- Dévisser l'indicateur de position avec une clé pour vis à six pans creux (SW5 ou SW8) .

REMARQUE !

Dommmages causés par un outil inapproprié.

- ▶ Ne visser ou dévisser le couvercle d'actionneur qu'avec la clé spéciale proposée au chapitre « 12 Accessoires de montage ».

- Dévisser le couvercle d'actionneur avec une clé spéciale tout en maintenant au niveau de la douille de guidage.

8.2.2 Installation et mise en service

- Visser l'accouplement (8) sur la tige de vanne et le bloquer avec du produit de blocage (par ex. Loctite 274).
- Accrocher la tige (1) dans l'accouplement(8).
- Graisser la tige (1).
- Graisser le joint torique (9) et l'insérer dans la tige de guidage (2).
- Insérer la tige de guidage (2) dans le couvercle d'actionneur.
- Placer la rondelle plate dans le couvercle d'actionneur, la bloquer avec l'écrou (10) sur la tige de guidage (2) et la fixer

- avec du produit de blocage (par ex. Loctite 274).
- Pour ce faire, utiliser le méplat de la tige de guidage (2) (SW24).
 - Couple de vissage max. : 20 Nm
- Visser le couvercle d'actionneur sur la vanne
 - Couple de vissage max. :
 - Taille d'actionneur Ø 100 mm = 45 Nm
 - Taille d'actionneur Ø 125 mm = 60 Nm
- Visser l'écrou inférieur (3) sur la tige de guidage (2).
- Monter la barre (4) sur la tige (1), la bloquer avec une vis à tête cylindrique (5) et la fixer avec du produit de blocage (p. ex. Loctite 274) (clé pour vis à six pans creux SW5 ou SW8).
- Visser l'écrou supérieur (3) sur la tige de guidage (2).
- Régler la course maximale et minimale à l'aide des écrous supérieur et inférieur (3).
- Contrôler le fonctionnement et l'étanchéité de la vanne.
- Visser le tube (6) avec le couvercle (7) à la main.

8.3 Taille d'actionneur 175 (Ø en mm)

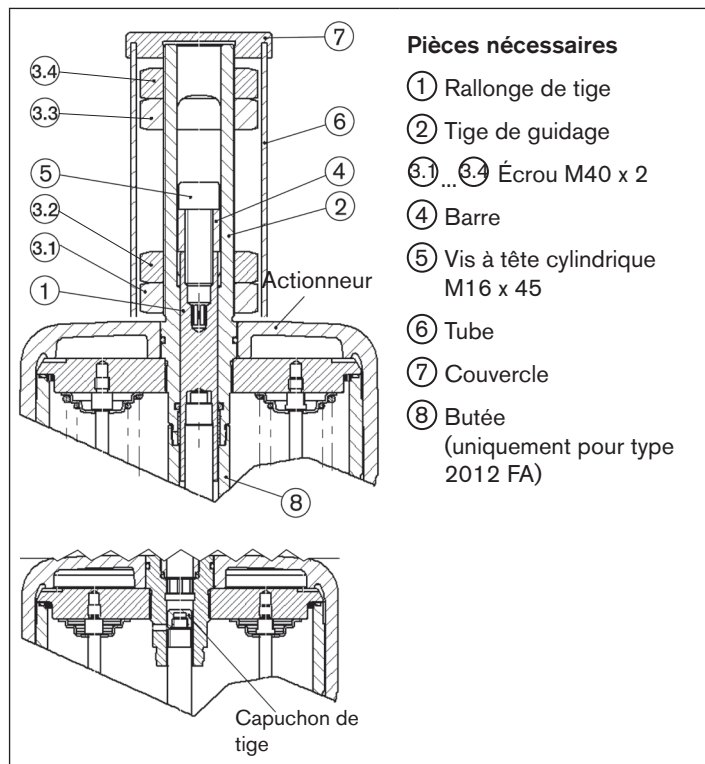


Figure 8 : Taille d'actionneur 175 (Ø en mm)
limiteur de course min./max. avec indicateur de position optique



AVERTISSEMENT !

Risque de blessure et de dysfonctionnement dû à des pièces qui sautent ou qui glissent.

Les actionneurs comprennent des ressorts précontraints qui peuvent sauter ou glisser en cas d'ouverture non conforme.

► L'actionneur Ø 175 mm ne peut être ouvert que par le fabricant.

8.3.1 Travaux avant le réglage de la course maximale et minimale

→ Interrompre l'alimentation du flux de fluide.

FA et FI

8.3.2 Réglage de la course minimale

→ Dévisser le couvercle (7).

→ Retirer le tube (6).

→ Alimenter l'actionneur en air de pilotage pour ouvrir la vanne.

→ Desserrer le contre-écrou (3.1) pour une course minimale.

→ Visser l'écrou de réglage (3.2) dans la position requise pour la course minimale.

→ Vérifier le réglage du limiteur de course en commutant la vanne.

→ Fixer avec le contre-écrou (3.1) pour une course minimale.

8.3.3 Réglage de la course maximale

- Couper l'alimentation en air de pilotage pour fermer la vanne.
- Desserrer le contre-écrou (3.4) pour une course maximale.
- Visser l'écrou de réglage (3.3) dans la position souhaitée pour la course maximale.
- Vérifier le réglage du limiteur de course en commutant la vanne.
- Bloquer avec le contre-écrou (3.4) pour une course maximale.
- Monter le tube (6) et visser le couvercle (7).

FB

8.3.4 Réglage de la course minimale

- Dévisser le couvercle (7).
- Retirer le tube (6).
- Desserrer le contre-écrou (3.1) pour une course minimale.
- Visser l'écrou de réglage (3.2) dans la position requise pour la course minimale.
- Vérifier le réglage du limiteur de course en commutant la vanne.
- Bloquer avec le contre-écrou (3.1) pour une course maximale.

8.3.5 Réglage de la course maximale

- Alimenter l'actionneur en air de pilotage pour fermer la vanne.
- Desserrer le contre-écrou (3.4) pour une course maximale.
- Visser l'écrou de réglage (3.3) dans la position souhaitée pour la course maximale.
- Vérifier le réglage du limiteur de course en commutant la vanne.
- Fixer avec le contre-écrou (3.4) pour une course maximale.
- Couper l'alimentation en air de pilotage pour ouvrir la vanne.
- Brancher le tube (6) et visser le couvercle (7).

9 VOLANT



DANGER !

Danger dû à la haute pression.

- ▶ Couper la pression et purger les conduites avant de modifier les appareils.

Risque de blessure en dévissant le capot transparent.

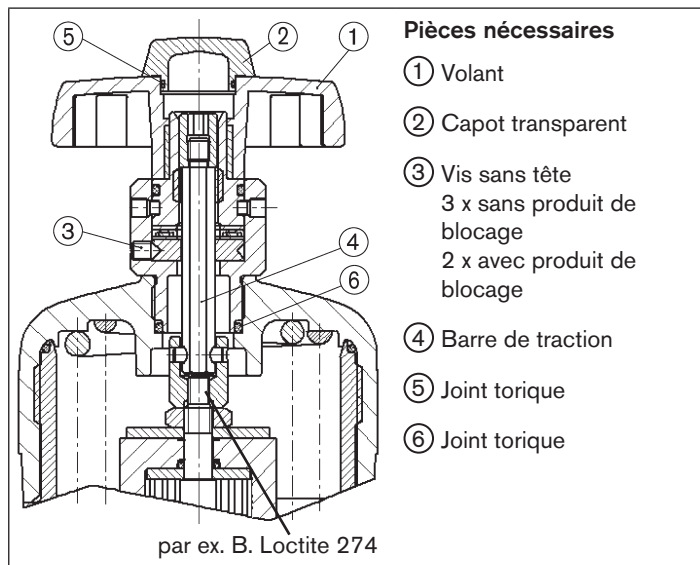
Le capot transparent ne doit pas se trouver sous pression lors du dévissage.

- ▶ Lors du dévissage du capot transparent, **seule** la chambre inférieure du piston doit être alimentée en air comprimé via le raccord d'air de pilotage inférieur.

9.1 Taille d'actionneur 50 à 125 (Ø en mm)

9.1.1 Travaux avant installation

- Interrompre l'alimentation en air de pilotage et le flux de fluide.
- Vidanger le corps de vanne.
- Dévisser le capot transparent du couvercle d'actionneur (6) (respecter les consignes de sécurité du chapitre « 9 » à la page 60 !).
- Dévisser l'indicateur de position avec une clé pour vis à six pans creux (SW5 ou 8).



Pièces nécessaires

- ① Volant
- ② Capot transparent
- ③ Vis sans tête
3 x sans produit de blocage
2 x avec produit de blocage
- ④ Barre de traction
- ⑤ Joint torique
- ⑥ Joint torique

Figure 9 : Taille d'actionneur 50 à 125 (Ø en mm) avec volant

9.1.2 Installation et mise en service

- Retirer le capot transparent (2) avec précaution du volant (1) à l'aide d'un outil approprié (capot transparent uniquement enfoncé, pas de filetage).
- Contrôle :
 - Les vis sans tête (3) sans produit de blocage (3 pcs) ne sont pas bloquées
 - La barre de traction (4) est en butée (réglable avec une clé pour vis à six pans creux SW5 ou SW8).

- Visser le volant sur le couvercle d'actionneur en utilisant le méplat de la clé sur le volant et en le maintenant au niveau de la vanne.
 - Couple de vissage maxi :
Taille d'actionneur Ø 50, 63, 80 mm = 15 Nm
Taille d'actionneur Ø 100, 125 mm = 20 Nm
- Visser la tige de traction (4) sur la tige de l'actionneur à l'aide d'une clé pour vis à six pans creux SW5 ou SW8 et la bloquer avec du produit de blocage (par ex. Loctite 274).

REMARQUE !

Défaillance ou altération du fonctionnement en raison de vis desserrées.

- Les vis bloquées par du produit de blocage ne doivent pas être desserrées, sinon le bon fonctionnement n'est plus garanti.
- Bloquer les vis sans tête (3) sans produit de blocage (3 pcs, SW2,5).
 - Contrôler le fonctionnement et l'étanchéité de la vanne.
 - Tourner le volant (1) vers la gauche pour l'ouverture.

REMARQUE !

Défaillance ou altération du fonctionnement en raison d'un joint torique endommagé ⑤.

- Insérer le joint torique ⑤ avec précaution.
 - Ne pas utiliser d'objets pointus pour l'insertion.
- Monter le capot transparent (2) avec le joint torique (5).

10 INDICATEUR DE POSITION ÉLECTRIQUE AVEC INDICATEUR DE POSITION OPTIQUE



DANGER !

Danger dû à la haute pression.

Couper la pression et purger les conduites avant de modifier les appareils..

Risque de blessure en dévissant le capot transparent.

Le capot transparent ne doit pas se trouver sous pression lors du dévissage.

- ▶ Lors du dévissage du capot transparent, **seule** la chambre inférieure du piston doit être alimentée en air comprimé via le raccord d'air de pilotage inférieur.

REMARQUE !

Endommagement du microrupteur.

- ▶ Pour visser ou dévisser l'indicateur de position électrique, n'utiliser en aucun cas le connecteur comme levier, mais saisir le socle de vissage l'indicateur de position.

10.1 Taille d'actionneur 50, 63, 80 (Ø en mm)

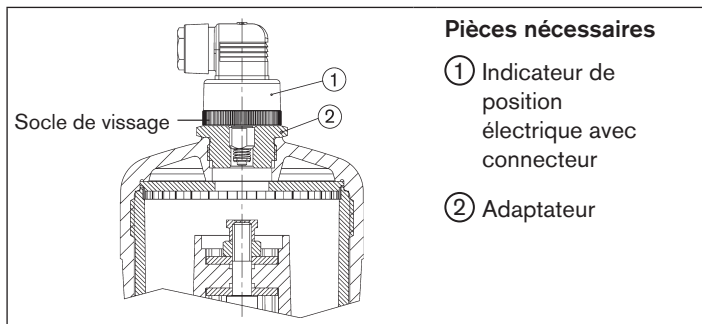


Figure 10 : Taille d'actionneur 50, 63, 80 (Ø en mm) avec indicateur de position électrique

10.1.1 Travaux avant installation

- Interrompre l'alimentation en air de pilotage et le flux de fluide.
- Dévisser le capot transparent du couvercle d'actionneur (6) (respecter les consignes de sécurité du chapitre « 10 » à la page 61 !).
- Dévisser l'indicateur de position avec une clé pour vis à six pans creux (SW5).

10.1.2 Installation et mise en service

- Visser l'adaptateur (2) au lieu du capot transparent sur l'actionneur (voir « Figure 10 »).
- Visser l'indicateur de position électrique (1) dans l'adaptateur (2), en respectant la remarque figurant au chapitre « 10 ».

10.2 Taille d'actionneur 100, 125 (Ø en mm)

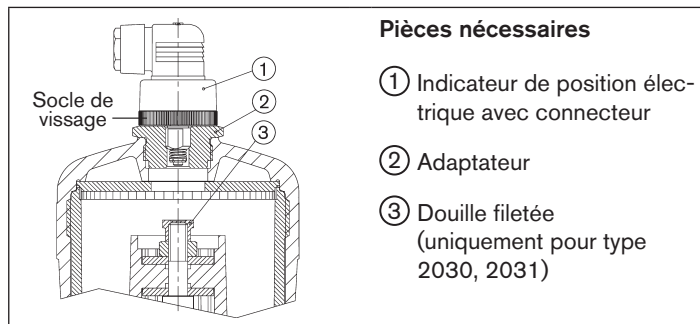


Figure 11 : Taille d'actionneur 100, 125 (Ø en mm) avec indicateur de position électrique

10.2.1 Travaux avant installation

- Interrompre l'alimentation du flux de fluide.
- Vidanger le corps de vanne.
- Mettre l'actionneur en position haute du piston. Pour ce faire, alimenter la chambre inférieure du piston en air comprimé via le raccord d'air de pilotage inférieur (fonctions de commande A et I).
- Dévisser le capot transparent du couvercle d'actionneur (6) (respecter les consignes de sécurité du chapitre « 10 » à la page 61 !).
- Dévisser l'indicateur de position avec une clé pour vis à six pans creux (SW8).
- **Type 2030, 2031** : Visser la douille filetée (3) sur la tige d'actionneur (SW14).
- Couper ensuite l'alimentation en air de pilotage.

10.2.2 Installation et mise en service

- Visser l'adaptateur (2) au lieu du capot transparent sur l'actionneur (voir « [Figure 11](#) »).
- Visser l'indicateur de position électrique (1) dans l'adaptateur (2), en respectant la remarque figurant au chapitre « [10](#) ».

10.3 Taille d'actionneur 175, 225 (Ø en mm)

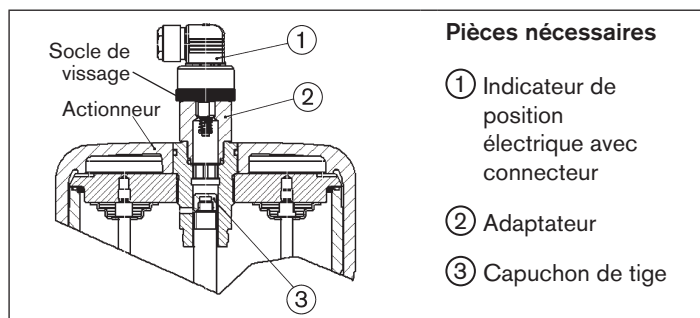


Figure 12 : Taille d'actionneur 175, 225 (Ø en mm) avec indicateur de position électrique



AVERTISSEMENT !

Risque de blessure et de dysfonctionnement dû à des pièces qui sautent ou qui glissent.

Les actionneurs comprennent des ressorts précontraints qui peuvent sauter ou glisser en cas d'ouverture non conforme.

- ▶ Les actionneurs Ø 175 mm et 225 mm ne peuvent être ouverts que par le fabricant.

10.3.1 Travaux avant installation

- Interrompre l'alimentation du flux de fluide.
- Vidanger le corps de vanne.
- Mettre l'actionneur en position haute du piston. Pour ce faire, alimenter la chambre inférieure du piston en air comprimé via le raccord d'air de pilotage inférieur (fonctions de commande A et I).
- Dévisser le capot transparent du couvercle d'actionneur (6) (respecter les consignes de sécurité du chapitre « [10](#) » à la page 61 !).
- Dévisser l'indicateur de position (capuchon à vis jaune) à la main.
- Visser le capuchon de tige (3) sur l'extrémité de la tige à la place de l'indicateur de position (SW14).
- Couper ensuite l'alimentation en air de pilotage.

10.3.2 Installation et mise en service

- Visser l'adaptateur (2) au lieu du capot transparent sur l'actionneur (voir « [Figure 12](#) »).
- Visser l'indicateur de position électrique (1) dans l'adaptateur (2), en respectant la remarque figurant au chapitre « [10](#) ».

11 RACCORDEMENT ÉLECTRIQUE

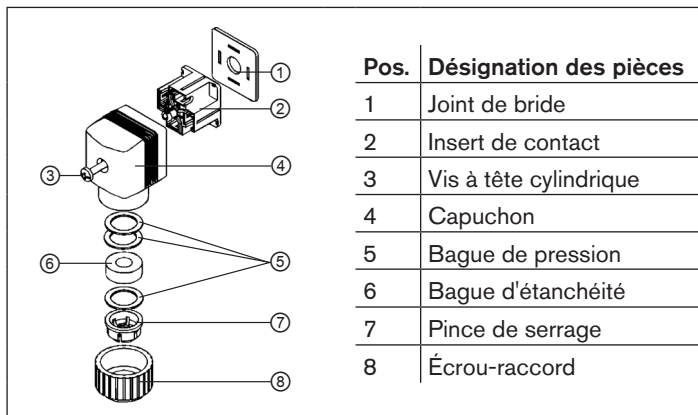


Figure 13 : Raccordement du connecteur

→ Desserrer la vis à tête cylindrique (3) du connecteur et la retirer.

REMARQUE !

Défaillance fonctionnelle due à des fiches déformées qui empêchent le remontage de l'insert de contact.

▶ Retirer avec précaution l'insert de contact et s'assurer que les fiches ne sont pas déformées.

→ Desserrer la vis creuse dans l'insert de contact (2), retirer l'insert de contact du capuchon.

→ Faire passer le câble par l'écrou-raccord (8).

→ Effectuer le raccordement en fonction du circuit (voir « Figure 14 : Circuit électrique »).

Valeurs de connexion max. : 5 mA à 250 V AC
0,25 A à 250 V DC.

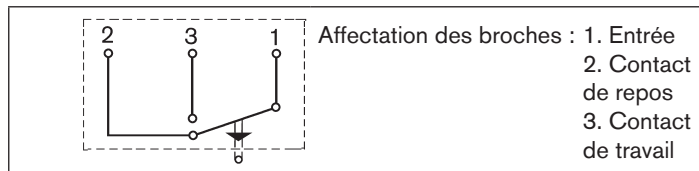


Figure 14 : Circuit électrique

→ Insérer l'insert de contact (2) dans le capuchon (4) et le visser avec une vis creuse.

→ Visser le connecteur avec la vis à tête cylindrique (3) (couple de vissage 0,5 Nm ou à la main), en s'assurant que le joint plat (6) est bien positionné.

→ Bloquer l'écrou-raccord à la main.

→ Contrôler le fonctionnement et l'étanchéité de la vanne.

12 ACCESSOIRES DE MONTAGE

Produit	Taille d'actionneur (Ø en mm)	N° de commande
Clé spéciale	50	639 175
	63	639 170
	80	639 171
	100	639 172
	125	639 173

13 DONNÉES DE COMMANDE DES ACCESSOIRES

Produit	Taille d'actionneur (Ø en mm)	N° de commande
Limiteur de course maxi sans message de retour de position	50, 63, 80	637 866
	100	637 867
	125	637 868
	175, 225	655 600
Limiteur de course min./max. avec indicateur de position optique	50, 63, 80	636 820
	100	636 821
	125	640 703
	175 uniquement type 2030, 2031	655 631
	175 uniquement type 2012	659 038
Volant	50, 63, 80	636 822
	100, 125	636 823
Indicateur de position électrique Type 1060	50, 63, 80	701 515
	100, 125	701 516
	175, 225	655 696

www.burkert.com