

**SPECIFICATION:**

Operating Current (Nom.):	1.5 A
Operating Temperature:	0°C to 70°C
Insulation Resistance (Min.):	500 MΩ
Contact Resistance (Max.):	40 mΩ
Dielectric Strength:	1,000 Vac

**MATERIAL:**

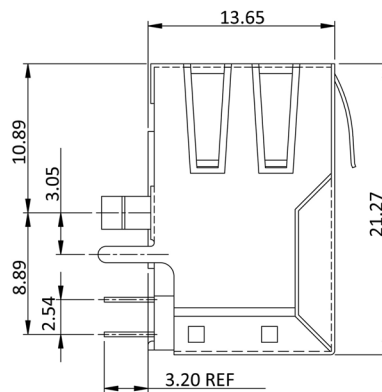
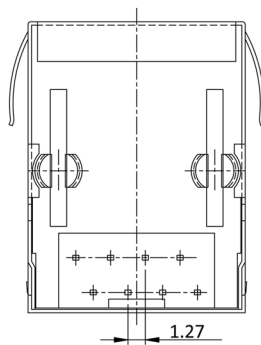
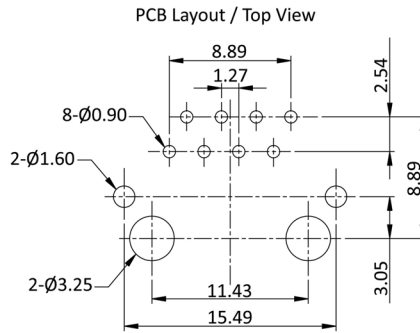
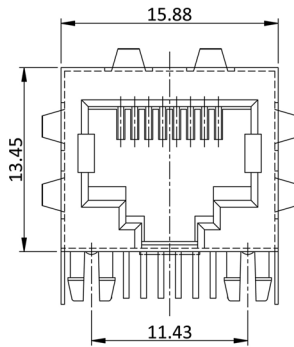
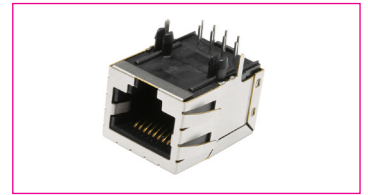
Material (Terminal):	phosphor bronze, nickel plated and gold plated
Material (Housing):	PBT
Flammability Class:	UL 94 V-0
Material (Shield):	brass, nickel plated
Material (Contact Area):	phosphor bronze, gold plated

**HANDLING:**

Processing:	wave soldering
Packaging:	tray

**TOLERANCE:**

.X:	± 0.38
.XX:	± 0.25



**Order Information**

Identifier:

**MSLT45**

Modular jack 8P8C shielded, pcb mount

Contact Plating:

**A**

6 μ" gold \*