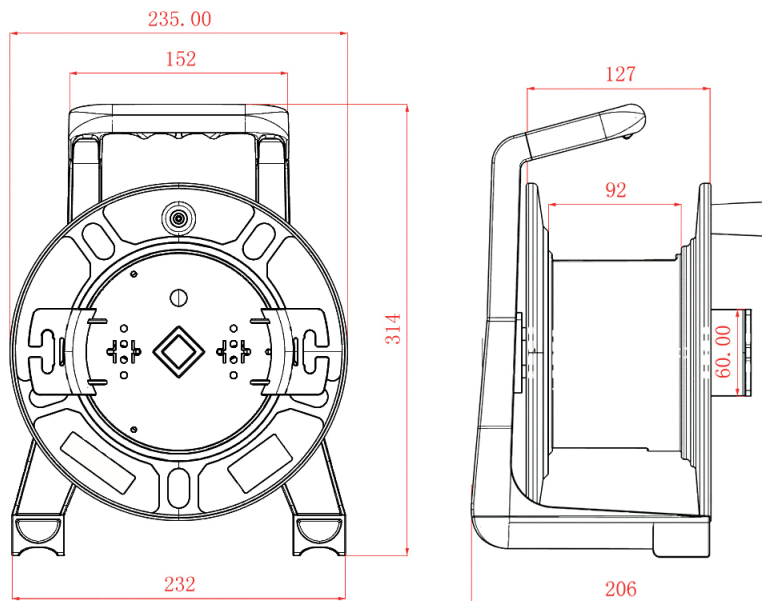
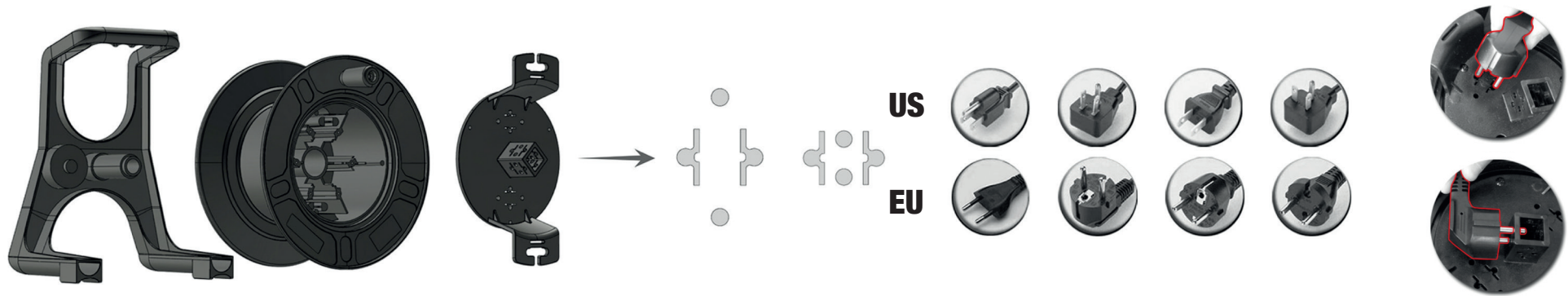


**70224**



**FEATURES**

The AH 70224 cable drum is made of shatter-proof, environmentally friendly plastic and ensures regular, professional transport and storage of cables of all kinds. The sturdy, smooth-running design with ergonomic handle is equipped with a removable cable guide and parking brake and weighs only 1.2 kg.

Capacity:	
3.0 mm ø	317 m
7.0 mm ø	57 m
15 mm ø	11 m
Product Type:	cable drum
Material:	PC (frame), PE (drum), PP (foot)
Colour:	black

