



# LogiLink®

## Standing Desk Converter with Keyboard Tray

Art. No.: EO0033



Standing Desk Converter creates a healthy work environment during your work day; switching between sitting and standing provides many benefits for your body.



\*The specifications and pictures are subject to change without prior notice.  
\*All trade names referenced are the registered trademarks of their respective owners.



EO0033

v.2



4 052792 060430

Made in China

### Stable Adjustment with Squeeze Handle

Scissor lift with gas spring structure creates smooth and quick transitions.



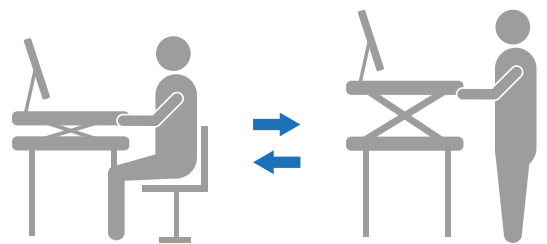
### Individual Space for Keyboard

Lower platform keeps keyboard and mouse in an ergonomic position.



### Built-in Slot Holder

Extra space for tablet or smartphone.



### Never Locked in One Position

Effortlessly switch between sitting and standing.



EO0033

v.2



4 052792 060430

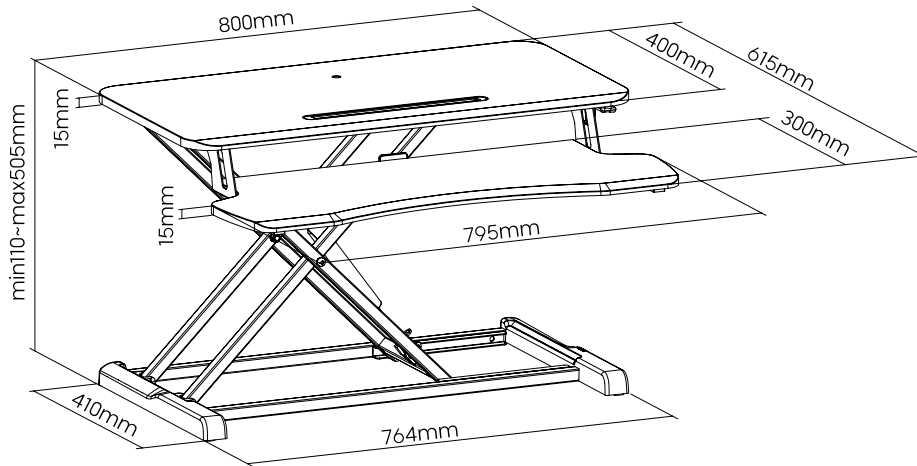
Made in China



\*The specifications and pictures are subject to change without prior notice.  
\*All trade names referenced are the registered trademarks of their respective owners.

## Specifications:

Material	Plastic, MDF, PVC, Steel
Worksurface Size (LxW)	800 x 400 mm, 795 x 300 mm
Worksurface Weight Capacity	15 kg
Keyboard Tray Weight Capacity	2 kg
Height Range	110–505 mm
Dimensions	800 x 615 x 110–505 mm
Color	Black



## Package Contents:

- » 1 x Standing Desk Converter
- » 1 x Screw Package
- » 1 x User Manual

## Package Information:

- » Packing Dimension: 885 x 185 x 490 mm
- » Packing Weight: 14.8 kg
- » Carton Dimension: 885 x 185 x 490 mm
- » Carton Q'ty: 1 pcs
- » Carton Weight: 14.8 kg

