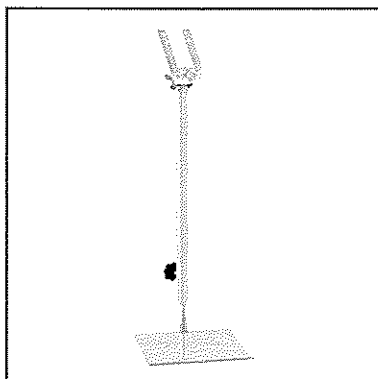
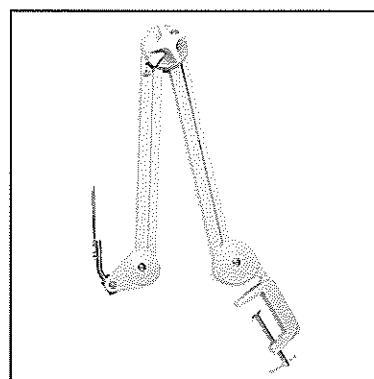


Ref: 560 100



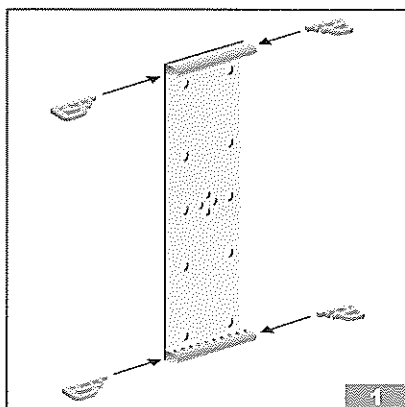
Ref: 560 200



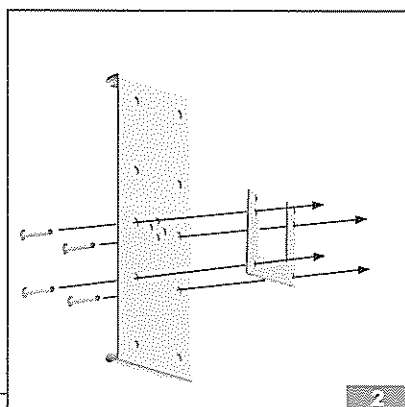
Ref: 580 101



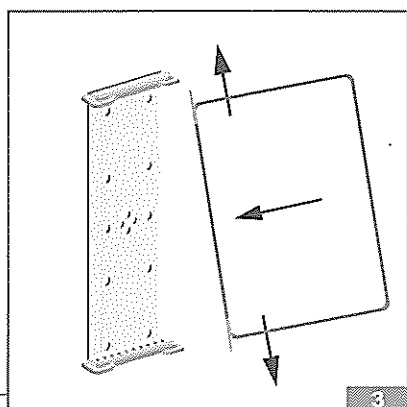
Ref: 550 000



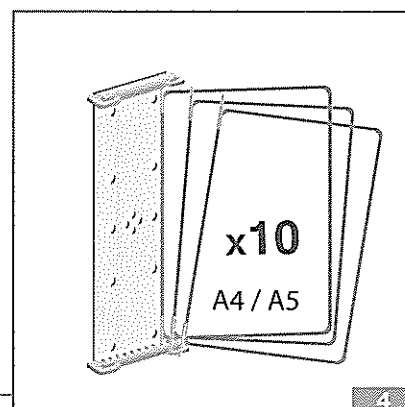
1



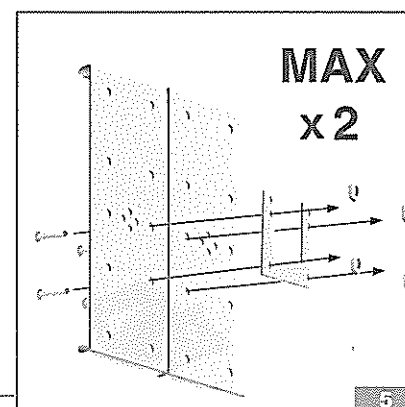
2



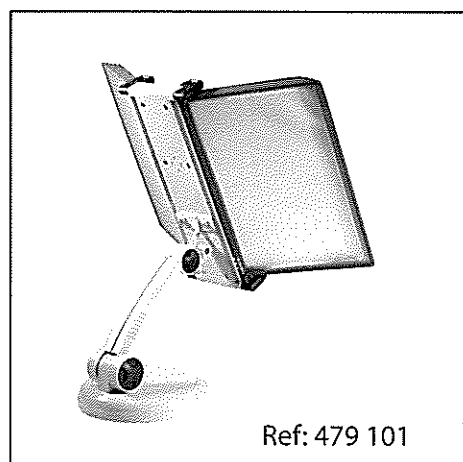
3



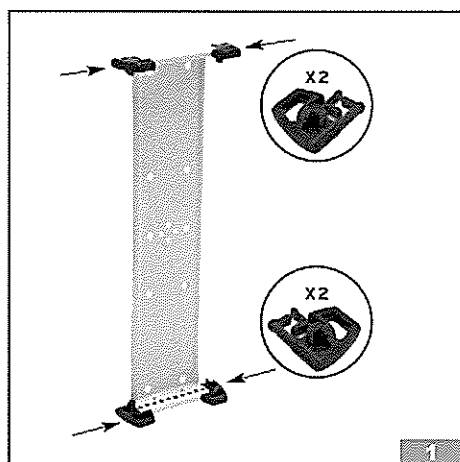
4



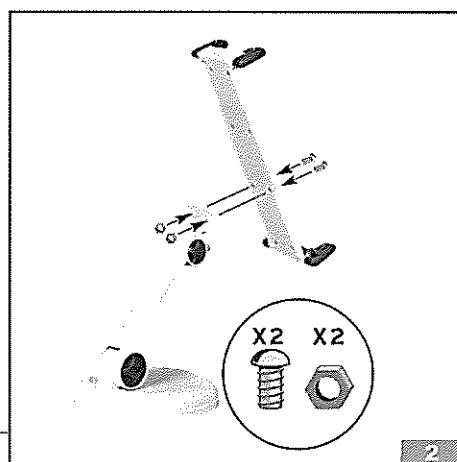
5



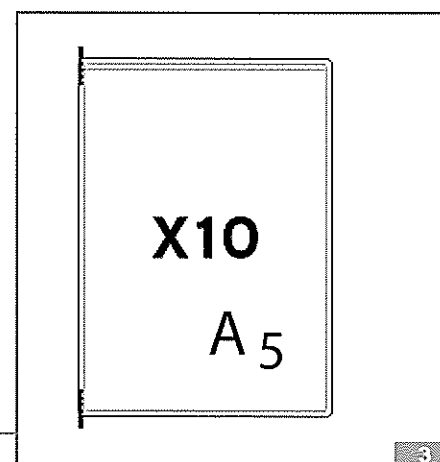
Ref: 479 101



1



2



3

