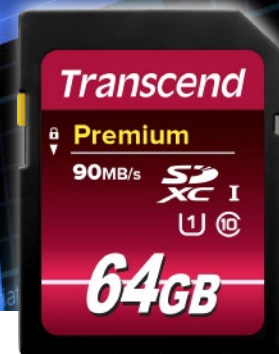


## Embedded Solutions



### SD Cards

# SDXC/SDHC Class 10 UHS-I

Combining the Class 10 specification with the performance boost of UHS-I, Transcend's SDXC/SDHC Class 10 Ultra High Speed memory cards help your camera unleash its full potential. When paired with UHS-I compatible devices, Transcend's SDXC/SDHC Class 10 UHS-I cards offer blazing-fast transfer speeds, perfect for high-speed consecutive shooting and smooth full HD video recording.

## Features

- Supports Ultra High Speed Class 1 specification (U1)
- Class 10 compliant - Fully compatible with SD 3.01 standards
- Built-in Error Correcting Code (ECC) to detect and correct transfer errors
- Efficient exFAT file system (SDXC cards only)
- Exclusive RecoveRx photo recovery software

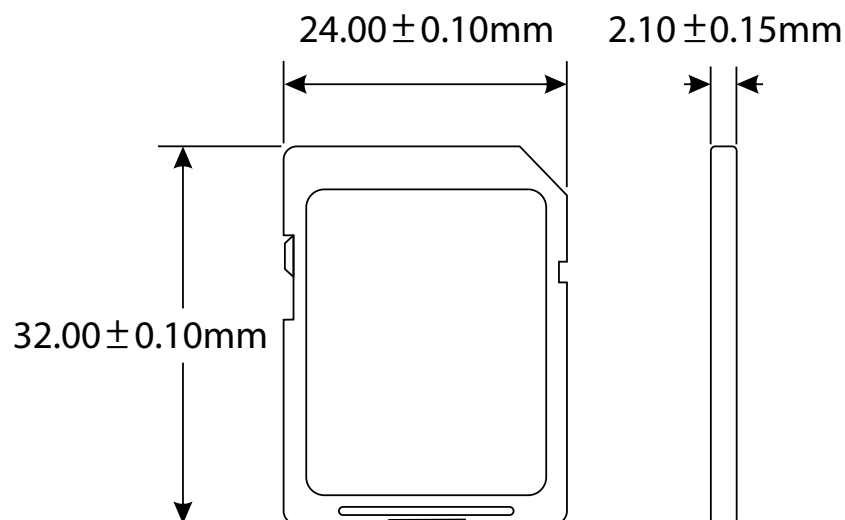
## Ordering Information

8GB	TS8GSDU1
16GB	TS16GSDU1
32GB	TS32GSDU1
64GB	TS64GSDU1

## Specifications

Appearance	Dimensions (Max.)	32 mm x 24 mm x 2.1 mm (1.26" x 0.94" x 0.08")
	Weight (Max.)	2 g (0.07 oz)
Storage	Capacity	8 GB/16 GB/32 GB/64 GB
Operating Environment	Operating Voltage	2.7V ~ 3.6V
	Operating Temperature	-25°C (-13°F) ~ 85°C (185°F)
Performance	Read Speed (Max.)	90 MB/s
	Insertion/Removal Cycles	10,000
Warranty	Certificate	CE/FCC/BSMI/RCM
	Warranty	Five-year Limited Warranty
Note	• Speed may vary due to host hardware, software, usage, and storage capacity.	

## Mechanical Dimensions



Product specifications are subject to change without notice. Pictures shown may differ from actual products. Total accessible capacity varies depending on operating environment. Due to the complexity and variety of industrial applications, Transcend cannot guarantee 100% compatibility with all platforms and under all scenarios. For special applications and environments, it is strongly suggested that you contact Transcend beforehand for clarification.



Please feel free to contact us with any special requests you might have.  
 Tel: +886-2-2792-8000      [www.transcend-info.com](http://www.transcend-info.com)