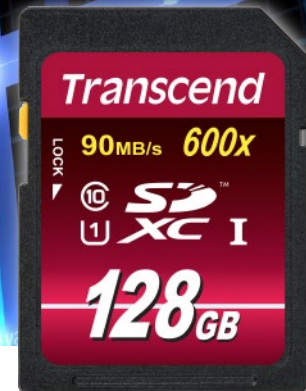


Embedded Solutions



SD Cards

SDXC/SDHC Class 10 UHS-I 600x

For professionals working with today's cutting-edge photography and video equipment, Transcend's Class 10 SDXC/SDHC UHS-I cards provide an incredible level of performance and vast storage capacity to meet the demands of high-resolution image capture and full HD video recording. Additionally, the top-tier MLC NAND flash chips inside provide consistent long-life durability and endurance.

Features

- MLC flash-based performance and reliability
- Supports Ultra High Speed Class I specification
- Class 10 compliant - Fully compatible with SD 3.01 standards
- Efficient exFAT file system (SDXC cards only)
- Built-in Error Correcting Code (ECC) to detect and correct transfer errors
- Exclusive RecoverX photo recovery software

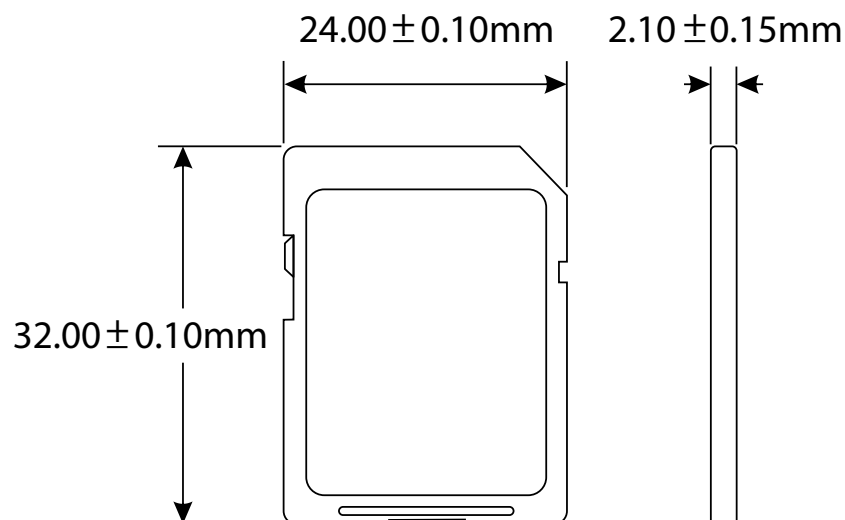
Ordering Information

8GB	TS8GSDHC10U1
16GB	TS16GSDHC10U1
32GB	TS32GSDHC10U1
64GB	TS64GSDXC10U1
128GB	TS128GSDXC10U1

Specifications

Appearance	Dimensions (Max.)	32 mm x 24 mm x 2.1 mm (1.26" x 0.94" x 0.08")
	Weight (Max.)	2 g (0.07 oz)
Storage	Capacity	8 GB/16 GB/32 GB/64 GB/128 GB
Operating Environment	Operating Voltage	2.7V ~ 3.6V
	Operating Temperature	-25°C (-13°F) ~ 85°C (185°F)
Performance	Read Speed (Max.)	90 MB/s
	Insertion/Removal Cycles	10,000
Warranty	Certificate	CE/FCC/BSMI/RCM
	Warranty	Five-year Limited Warranty
Note	• Speed may vary due to host hardware, software, usage, and storage capacity.	

Mechanical Dimensions



Product specifications are subject to change without notice. Pictures shown may differ from actual products. Total accessible capacity varies depending on operating environment. Due to the complexity and variety of industrial applications, Transcend cannot guarantee 100% compatibility with all platforms and under all scenarios. For special applications and environments, it is strongly suggested that you contact Transcend beforehand for clarification.



Please feel free to contact us with any special requests you might have.
 Tel: +886-2-2792-8000 www.transcend-info.com