

16 CHANNELS RELAY MODULE WITH ISOLATION BY PHOTOCOUPLEDERS WITH TTL LOGIC CONTROL AND HIGH CURRENT RELAYS



VCC-RELAY16-5V



Introduction:

This 16 channels interface board can control various appliances, and others equipments thanks to its relays modules. Each input of the interface is isolated by photocoupler. The interface can be controlled directly by microcontroller pcb card like Arduino, 8051, AVR, PIC, DSP, ARM, MSP430 or all others TTL logic signals. The relays are active on low level signal on each control pin and 16 LEDs indicate the status of the 16 relays. Power supply: 5Vdc. This board is equipped with high current relays modules. They load 10A/250Vac max or 10A/30Vdc max.

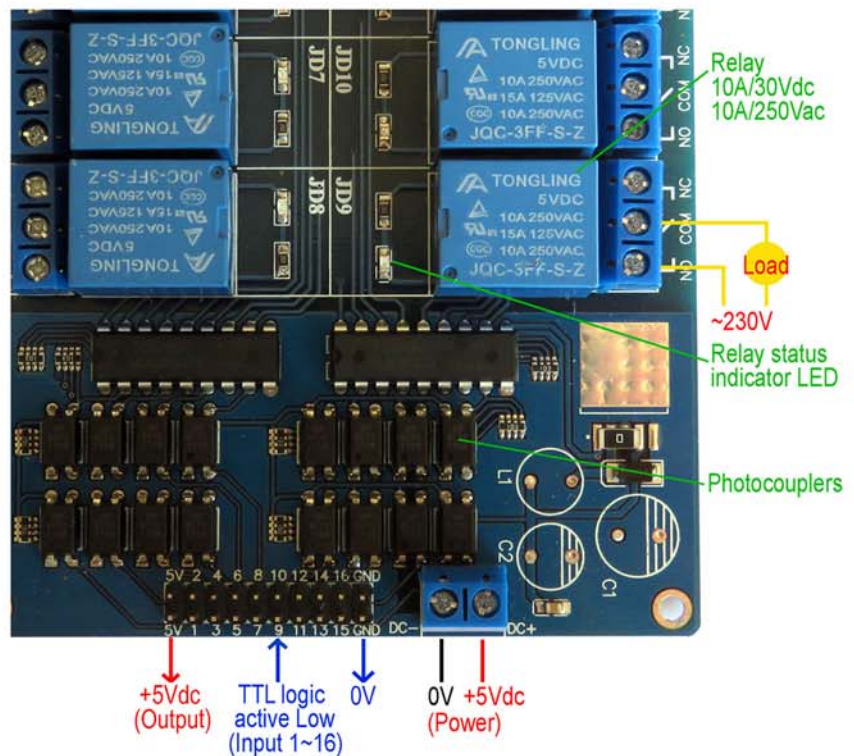
Hardware & Electrical specifications:

Power supply : 5Vdc / 500mA
 Controls signals voltage : active at TTL low state.
 Low state : 0V to 0,5V (relay is ON).
 High state : 3,7V to 5,0V (relay is OFF).
 Drive current : 20mA max for each input.

VCC pin: power supply input +5Vdc
 GND pin: power supply and control signal ground.
 1~16 pins: input control signal low level trigger.
 K1~K16 pins: contacts relays, (3 pins).
 5V pin: output power +5Vdc for other applications.

Relays power : 5Vdc.
 Relays output : 10A/125Vac or 10A/28Vdc.
 Relays output max : 10A/250Vac or 10A/30Vdc.

Size product : 180 mm x 80 mm x 25 mm



Item includes:

PCB board with 16 relays.
 User manual in English and French.