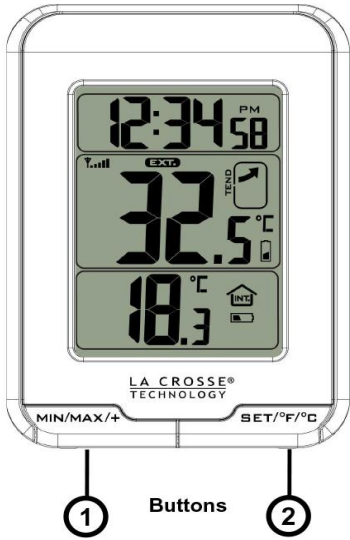
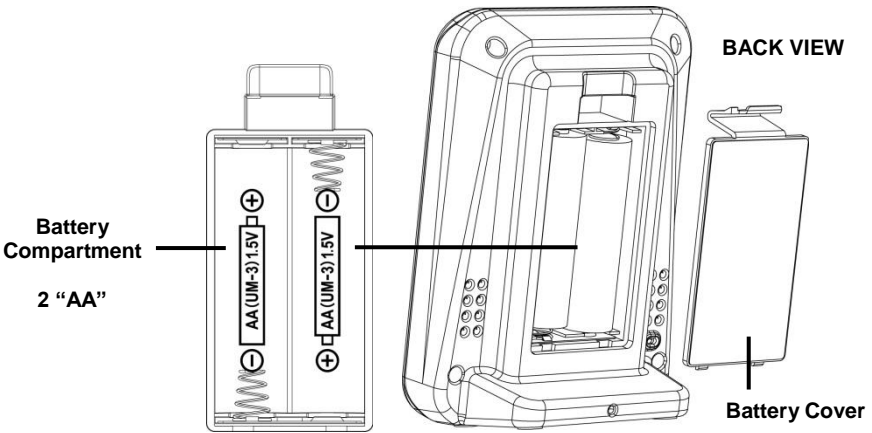
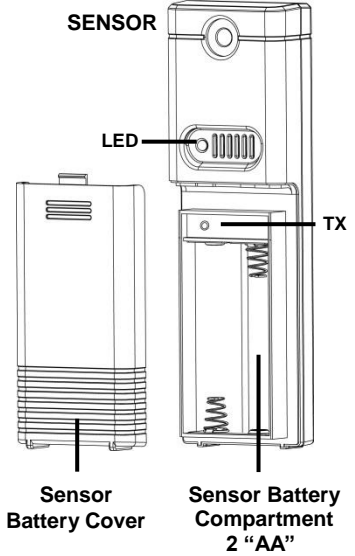


**TEMPERATURE STATION**



**FRONT VIEW**



## GET STARTED

**Step 1:** Insert 2 *new* AA batteries (not included) into the station. Observe the correct polarity.

**Step 2:** Insert 2 *new* AA batteries (not included) into the transmitter. Observe the correct polarity. The red LED will flash when transmitting.

**Restart:** If the outdoor temperature is not displayed after 3 minutes, remove batteries from the station & transmitter for 15 minutes. Return to **Step 1** above.

## SET TIME

1. Hold button 2 (**SET/°F/°C**) to enter time set mode.
2. To adjust values press button 1 (**MIN/MAX/+**).
3. Press button 2 (**SET/°F/°C**) to confirm adjustments and move to the next item.

### Time setting order:

1. 12/24 Hour Time Format
2. Hour
3. Minutes

Press button 2 (**SET/°F/°C**) to exit, or wait 20 seconds without pressing buttons to return to the normal time display.

## FAHRENHEIT/CELSIUS

Press the button 2 (**SET/°F/°C**) to select Fahrenheit or Celsius temperature display.

## VIEW/RESET MIN/MAX TEMPERATURES

The station automatically resets min/max temperatures daily at midnight (12:00 AM).

- Press button 1 (**MIN/MAX/+**) once, to view minimum temperatures
- Hold button 1 (**MIN/MAX/+**) to reset minimum temperatures
- Press button 1 (**MIN/MAX/+**) twice, to view maximum temperatures
- Hold button 1 (**MIN/MAX/+**) to reset maximum temperatures

## TEMPERATURE TREND INDICATORS

The ARROWS indicate a rising, falling or steady temperature trend (2°F/1°C) over the past three hours.

The temperature trend indicators update every 30 minutes or less.

TEND



## POSITION OUTDOOR TRANSMITTER

- Mount the outdoor transmitter on a north-facing wall or in any well shaded area. Under an eave or deck rail is preferred.
- The maximum transmitting range to the wireless thermometer is over 100 meters in open air, not including walls.

## SEARCH FOR OUTDOOR TRANSMITTER

- Hold button 1 (**MIN/MAX/+**) for 3 seconds to search for the outdoor transmitter.

## LOW BATTERY ICON

Low battery icon indicates low battery for sensor or station.

- If the icon is displayed in Outdoor Temperature section, replace batteries in the outdoor sensor.
- If the icon is displayed in Indoor Temperature Section, replace batteries in the station.



**Low Battery  
Icon**

## SPECIFICATIONS

<b>Indoor:</b>	
Temperature Range :	+32°F to +122°F (0°C to 50°C)
Resolution :	0.1 °C / 2°F
Precision :	+/-1°C / +/-2°F
Interval:	About every 30 seconds
<b>Outdoor:</b>	
Temperature Range:	-40°F to 140°F (-40°C to 60°C)
Alkaline Batteries:	-20°F to 140°F (-28.8°C to 60°C)
Lithium Batteries:	-40°F to 140°F (-40°C to 60°C)
<b>NOTE:</b>	Temperatures below - 20°F (-28.8°C) require Lithium batteries in the outdoor sensor.
Resolution :	0.1 °C / 2°F
Precision :	+/-1°C / +/-2°F (+/-1.5°C / +/-3°F if temperature below 0°C / 32°F)
Distance:	Over 90 meters in open air RF 433MHz
Interval:	About every 50 seconds
<b>Power:</b>	
Wireless Thermometer	2-AA, IEC, LR6 batteries (not included)
TX141-BV2 Transmitter:	2-AA, IEC, LR6 batteries (not included)
<b>Battery Life:</b>	
Wireless Thermometer	Battery life is over 12 months when using reputable battery brands for both Alkaline and Lithium batteries
TX141-BV2 Transmitter:	Battery life is over 12 months when using reputable battery brands for both Alkaline and Lithium batteries
<b>Dimensions:</b>	
Wireless Thermometer:	76 x 40 x 106 mm
TX141-BV2 Transmitter:	40 x 20 x 130mm

## WIRELESS THERMOMETER CARE AND MAINTENANCE

- **Do not mix old and new batteries**
- **Do not mix Alkaline, Standard, Lithium or Rechargeable Batteries**
- Do not expose to extreme temperature, vibration or shock.
- Clean with a soft damp cloth. Do not use solvents.
- Improper use or unauthorized opening of housing voids warranty.

## LIABILITY DISCLAIMER

- The electrical and electronic wastes contain hazardous substances. Disposal of electronic waste in wild country and/or in unauthorized grounds strongly damages the environment.
- Please contact your local or/and regional authorities to retrieve the addresses of legal dumping grounds with selective collection.
- All electronic instruments must from now on be recycled. User shall take an active part in the reuse, recycling and recovery of the electrical and electronic waste.
- The unrestricted disposal of electronic waste may do harm on public health and the quality of environment.
- As stated on the gift box and labeled on the product, reading the "User manual" is highly recommended for the benefit of the user. This product must however not be thrown in general rubbish collection points.
- The manufacturer and supplier cannot accept any responsibility for any incorrect readings and any consequences that occur should an inaccurate reading take place.
- This product is designed for use in the home only as indication of the temperature.
- This product is not to be used for medical purposes or for public information.
- The specifications of this product may change without prior notice.
- This product is not a toy. Keep out of the reach of children.
- No part of this manual may be reproduced without written authorization of the manufacturer.



### R&TTE Directive 1999/5/EC

Summary of the Declaration of Conformity : We hereby declare that this wireless transmission device does comply with the essential requirements of R&TTE Directive 1999/5/EC.