

A

B

C

D

E

F

G

H

1

2

3

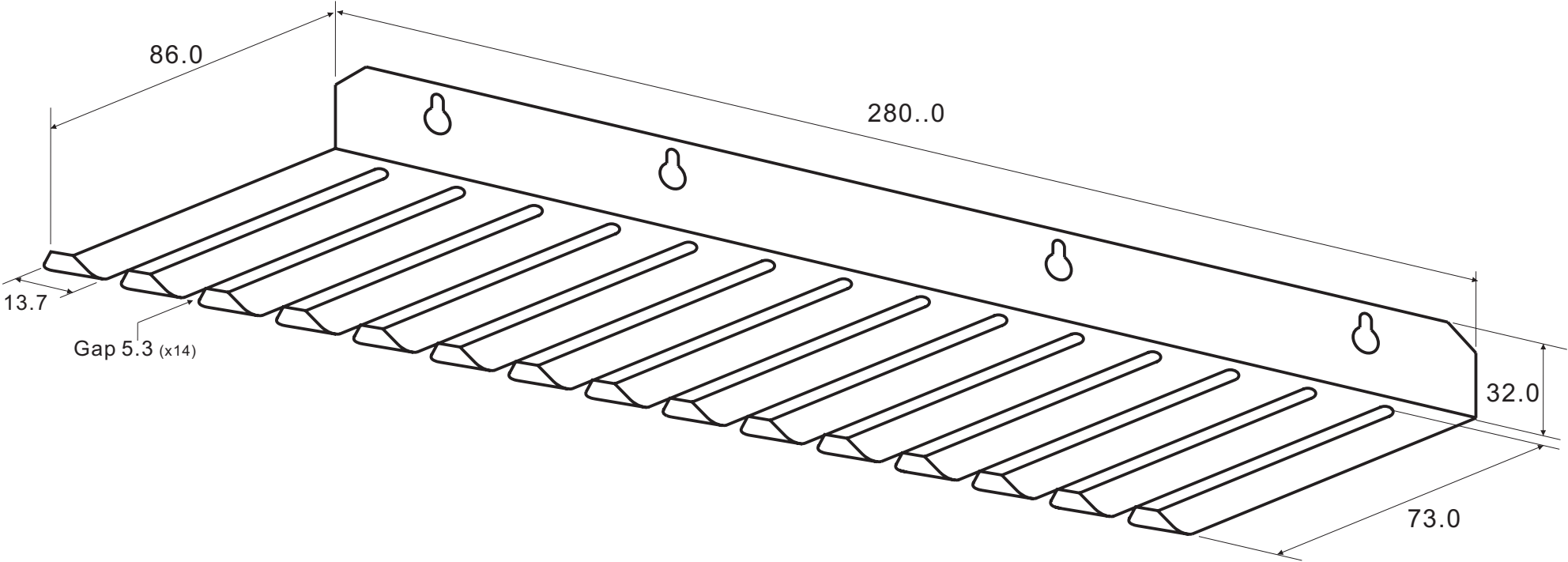
4

5

6

BN10 08 21

Test Lead Holder



Gap 5.3 (x14)

Material
 1.5mm A3 Iron
 Black Baking Enamel

Unit: mm ±1