

Digital display - MCR-SL-D-FIT - 2864024

Please be informed that the data shown in this PDF Document is generated from our Online Catalog. Please find the complete data in the user's documentation. Our General Terms of Use for Downloads are valid (<http://download.phoenixcontact.com>)



MCR digital display, for measuring and displaying frequencies, pulses and times, 6-fig. display

Key commercial data

package_quantity	1
GTIN	4017918976477

Technical data

Dimensions

Width	48 mm
Height	24 mm
Depth	68 mm

Ambient conditions

Ambient temperature (operation)	-20 °C ... 65 °C
Ambient temperature (storage/transport)	-25 °C ... 70 °C
Degree of protection	IP65 from the front

Input data

Input resistance of voltage input	10 kΩ
--	-------

Switching output

Output name	1 NPN optocoupler
Maximum switching voltage	30 V DC

Power supply

Supply voltage range	10 V DC ... 30 V DC
Max. current consumption	max. 40 mA

General

Color	black
Housing material	Macrolon 2405
Conformance	CE-compliant
UL, USA / Canada	UL 508 Recognized

Digital display - MCR-SL-D-FIT - 2864024

classifications

eCl@ss

eCl@ss 4.0	27210120
eCl@ss 4.1	27210120
eCl@ss 5.0	27210120
eCl@ss 5.1	27210120
eCl@ss 6.0	27210120
eCl@ss 7.0	27210120
eCl@ss 8.0	27210120

ETIM

ETIM 2.0	EC001485
ETIM 3.0	EC001485
ETIM 4.0	EC001485
ETIM 5.0	EC000677

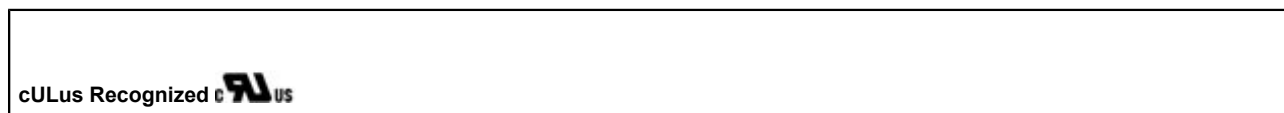
UNSPSC

UNSPSC 6.01	30211506
UNSPSC 7.0901	39121008
UNSPSC 11	39121008
UNSPSC 12.01	39121008
UNSPSC 13.2	39121008

approvals

UL Recognized / cUL Recognized / cULus Recognized /

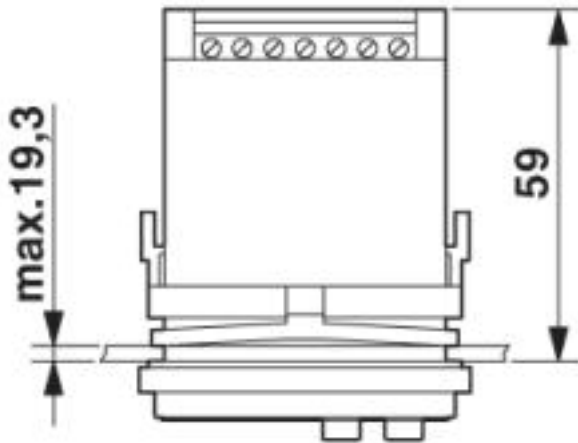
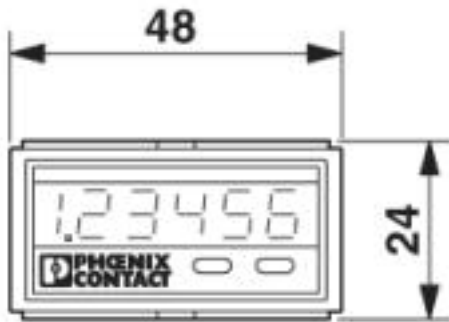
Approval details



Drawings

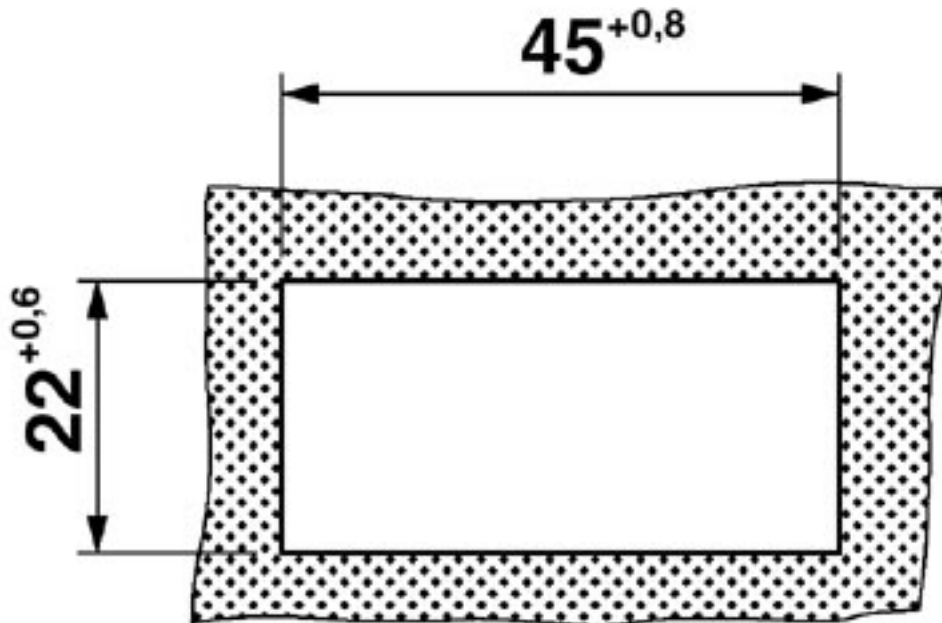
Digital display - MCR-SL-D-FIT - 2864024

Dimensioned drawing



Digital display - MCR-SL-D-FIT - 2864024

Dimensioned drawing



Circuit diagram

