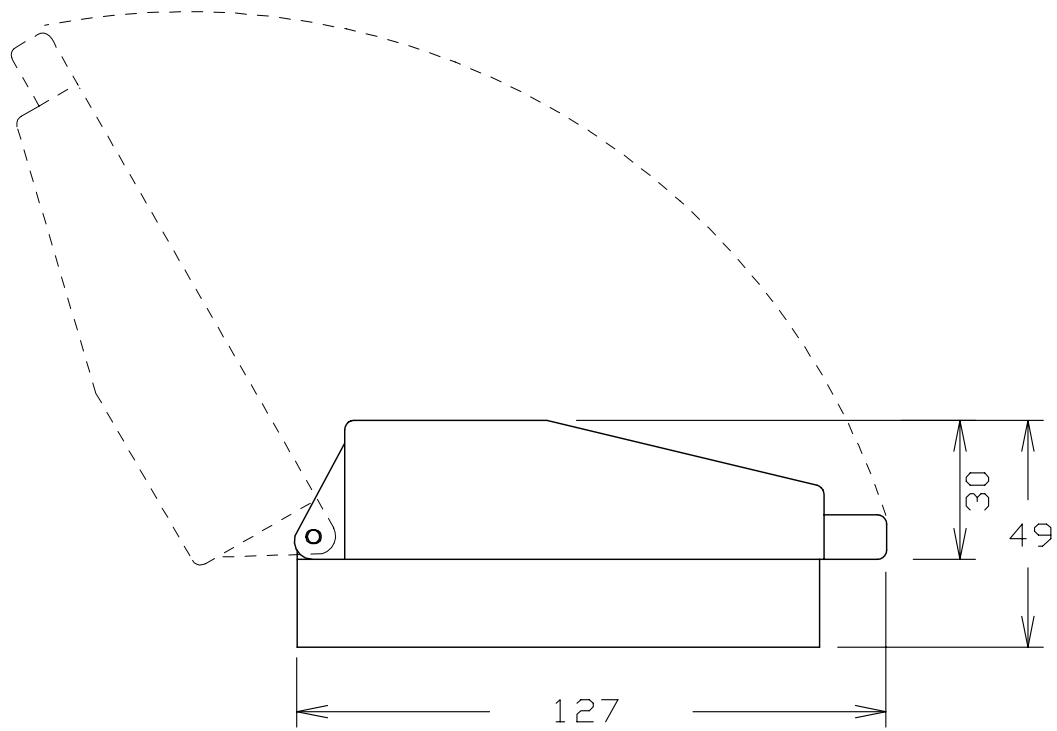
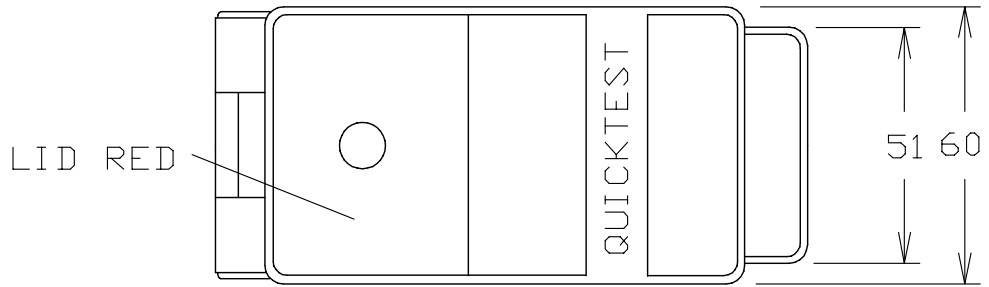


ISS.	AMEND	DATE
1	1st DRAWN	28/10/91
2	CL18545 ADD	8/1/96



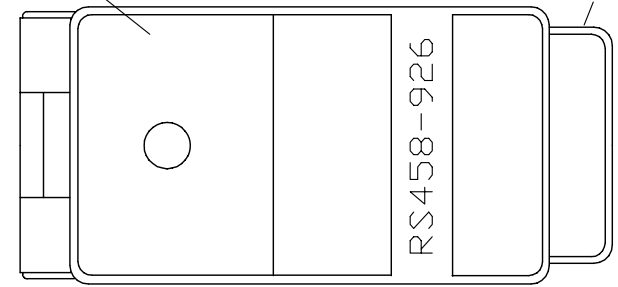
VARIANTS

MODEL	P/No.
RS VERSION	CL 1854
FARNELL VERSION (WITH LABEL ON CARTON 658-716)	CL 18545



STD VERSION

LID BLACK BASE PLATE MARKED
13A 240VAC



RS VERSION (RS458-926)

RATED 13A. 240VAC.

Tolerance

NO DEC. PLACE ± 0.50
 1 DEC. PLACE ± 0.20
 2 DEC. PLACE ± 0.10
 DIA. HOLES ± 0.10
 ANGLES ± 1/2°
 UNLESS OTHERWISE STATED

WHERE USED F.R.
 SCALE N.T.S.

DIMENSIONS IN MILLIMETERS UNLESS OTHERWISE STATED. WORK TO DIMENSIONS. DO NOT SCALE DRAWING. 3rd ANGLE PROJECTION. REMOVE BURRS. IF IN DOUBT ASK.

Cliff Electronic Components Limited 76 Holmethorpe Ave., Holmethorpe Ind. Estate, Redhill, Surrey. RH1 2PF. England. Tel: 01737-771375 Fax: 01737-766012	MATERIAL COMPOSITE		TITLE QUICKTEST	
	FINISH AS MOULDED		DRWG. No. CL 1850	
DRAWN C.A.M.J.	APPD. RWT	FORM: A4DRWGH		