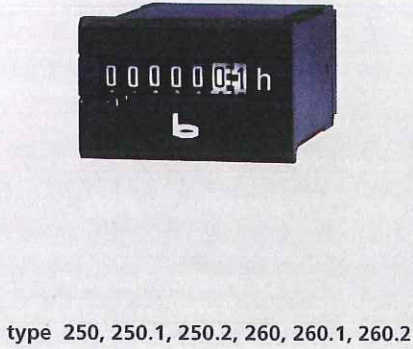


**Hour counters, for AC or DC,
36 x 24 mm, 48 x 24 mm**

These are 7 digit BAUSER hour counters with the smallest dimensions for AC and DC operation. They are even suited for heavy applications on utility vehicles. Even for this range a protection class of IP65 (front) is offered.

Front frame 36 x 24 mm, protection class IP 65

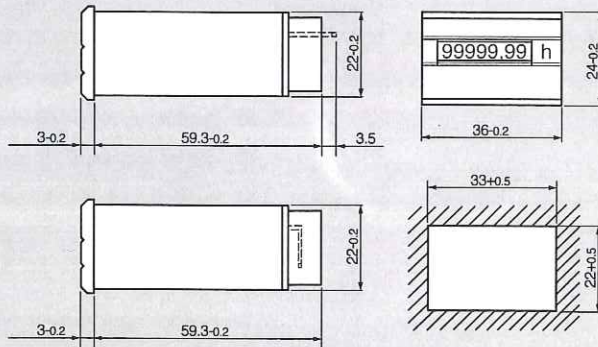


type 250, 250.1, 250.2, 260, 260.1, 260.2

AC	DC	front black	front grey	plug connect 6,3 x 0,8 „straight”	plug connect „bent” 90°	terminal connect „bent” 90°
250	260	■		■		
250.1	260.1	■			■	
250.2	260.2	■				■
251	261		■	■		
251.1	261.1		■		■	
251.2	261.2		■			■

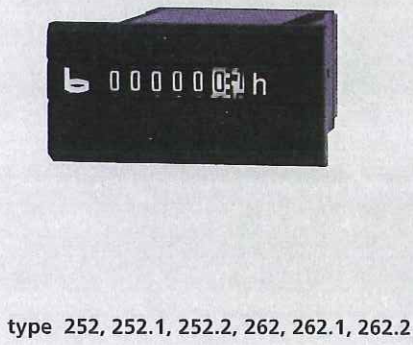


type 251, 251.1, 251.2, 261, 261.1, 261.2



A BAUSER top program, where everything is correct. From the technical solution, through the design up to the usual good value for money.

Front frame DIN dimension 48 x 24 mm Protection class IP 65

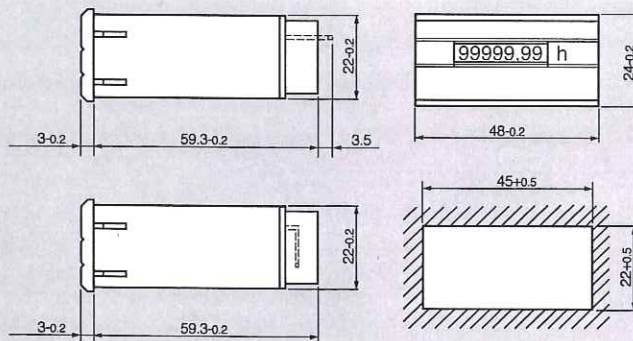


type 252, 252.1, 252.2, 262, 262.1, 262.2

AC	DC	front black	front grey	plug connect 6,3 x 0,8 „straight”	plug connect „bent” 90°	terminal connect „bent” 90°
252	262	■		■		
252.1	262.1	■			■	
252.2	262.2	■				■
253	263		■	■		
253.1	263.1		■		■	
253.2	263.2		■			■



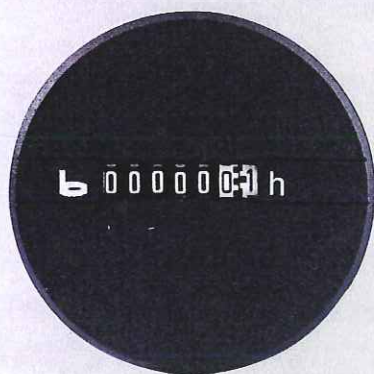
type 253, 253.1, 253.2, 263, 263.1, 263.2



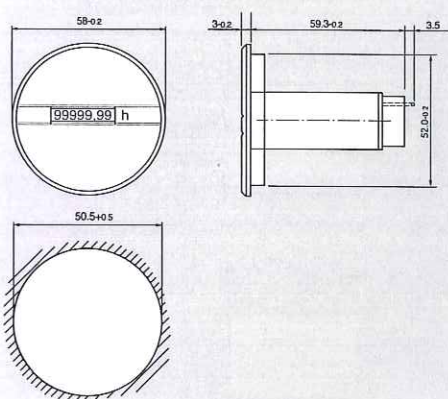
Electromechanical hour counters

Hour counters, for AC or DC, 53 x 31 mm, ø 52 mm

BAUSER offers – especially for your vehicle technology – hour counters with different housing variants. For power supply, you can choose between the classical plug- or terminal connection.



type 256, 256.1, 256.2, 266, 266.1, 266.2



AC	DC	cutout ø 52 mm	cutout 36,8 x 24,1 ± 0,5 mm	cutout 36,8 x 22 ± 0,5 mm	plug con. 6,3 x 0,8 „straight“	plug con. „bent“ 90°	terminal con. „bent“ 90°
256	266	■			■		
256.1	266.1	■				■	
256.2	266.2	■					■
258	268		■		■		
258.1	268.1		■			■	
258.2	268.2		■				■
271	281			■	■		
271.1	281.1			■		■	
271.2	281.2			■			■

Accessories and special types at additional cost:

- variant for 20 to 100 Hz operation: order code i.e.: 250/943
- rubber seal: for additional sealing (please indicate for which type it is required)
- spring wire bracket: optionally, if there is only little space available – but only up to maximum 48 V

Technical specifications:

housing:

plastic, black

plastic, black

reset:

no

no

counting range:

99999,99 h

99999,99 h (new - two decimals)

digit height:

1,8 x 3,6 mm (with lens),
white on black,
decimals black on white

1,8 x 3,6 mm (with lens),
white on black,
decimals black on white

voltages:

115 or 230 V AC

12 - 24 V DC

special voltages

12, 24 or 42 V AC

on request

(at additional cost):

voltage tolerance:

± 10 %

-

frequency:

50 or 60 Hz -
(on request 20 to 100 Hz operation)

current consumption:

approx. 8 mA

approx. 5 - 15 mA

protection

housing: IP 65 (front)

housing: IP 65 (front)

DIN 40050:

terminals: IP 00

terminals: IP 00

ambient temperature:

-30 °C to +80 °C

-20 °C to +80 °C

fixing:

retaining clipretaining clip

connections:

terminals or plugs
(straight or bent)

terminals or plugs
short circuit and reverse battery protected

approvals:

CE, UL

CE, UL, cUL

weight:

approx. 35 g

approx. 35 g



type 258, 258.1, 258.2, 268, 268.1, 268.2
271, 271.1, 271.2, 281, 281.1, 281.2

