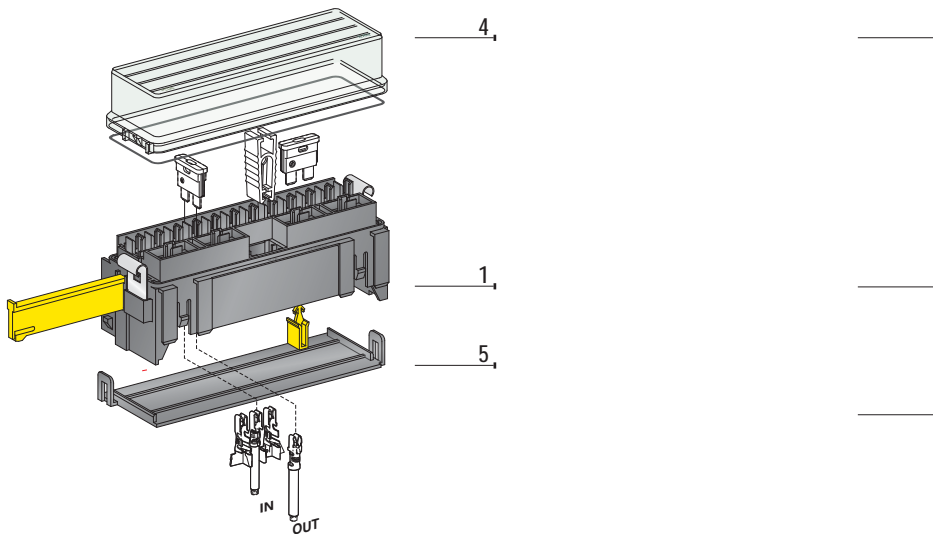


FUSE BOXES



IMG	DESCRIPTION	WAY	MATERIAL	COLOUR	P/N KIT WITH COVERS AND TERMINALS	M.O.Q.	P/N BULK	M.O.Q.
1	UNIVAL HOLDER	16	PA66 GF25	■ Black	0100655	16	0300650	36
2	MINI RELAY HOLDER	4	PA66 GF25	■ Black	0100665	16	0300660	72
3	MICRO RELAY HOLDER	7	PA66 GF25	■ Black	0100705	16	0300700	100
4	COVER WITH GASKET		PC	□ Natural			0300670	72
5	BOTTOM COVER		PA66	■ Black			0300680	72



0300690
0300691



UNI F630
BUS-BAR



UNI F630



FASTON F630 WITH
LOCKING NOTCH



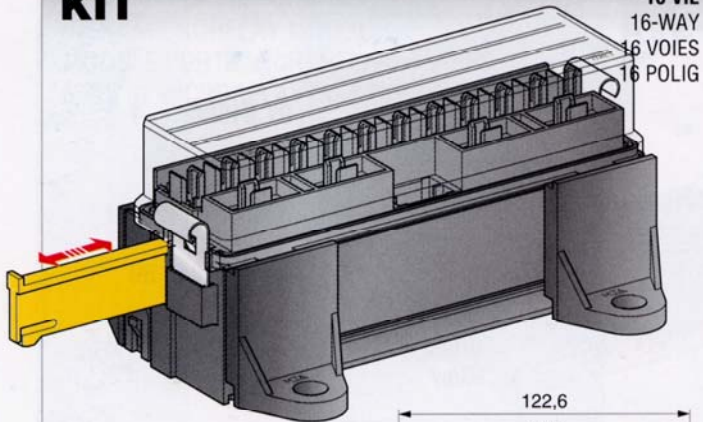
FASTON F480
PASSO 5



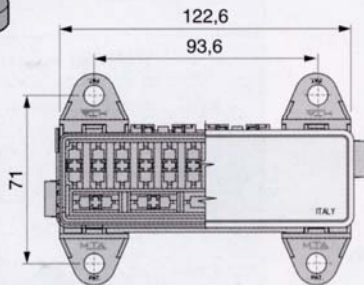
FASTON F630
THICKNESS 0,35

IMG	1+2+3	1	1	2	3	3

KIT



16 VIE
16-WAY
16 VOIES
16 POLIG



*senza fusibili
without fuses
sans fusibles
ohne Sicherungen*

Corpo con secondarylock	1 pcs
Coperchio + guarnizione	1 pcs
Terminali ref. 17.07900	35 pcs
Staffe Maschio ref. 03.00690	2 pcs
Staffe Femmina ref. 03.00691	2 pcs
Coperchio inferiore	1 pcs

Housing with secondarylock	1 pcs
Cover + Gasket	1 pcs
Terminals ref. 17.07900	35 pcs
Mounting brackets (male) ref. 03.00690	2 pcs
Mounting brackets (female) ref. 03.00691	2 pcs
Bottom cover	1 pcs

Support avec secondarylock	1 pcs
Couvercle + Garniture	1 pcs
Cosses ref. 17.07900	35 pcs
Brides mâles ref. 03.00690	2 pcs
Brides femelles ref. 03.00691	2 pcs
Couvercle inférieur	1 pcs

Sicherungshalter mit Secondarylock	1 pcs
Deckel + Dichtung	1 pcs
Flachsteckhülsen ref. 17.07900	35 pcs
Befestigungsfuße (männlich) ref. 03.00690	2 pcs
Befestigungsfuße (weiblich) ref. 03.00691	2 pcs
Unterer Deckel	1 pcs

- 01.00655 1

MASTER
16