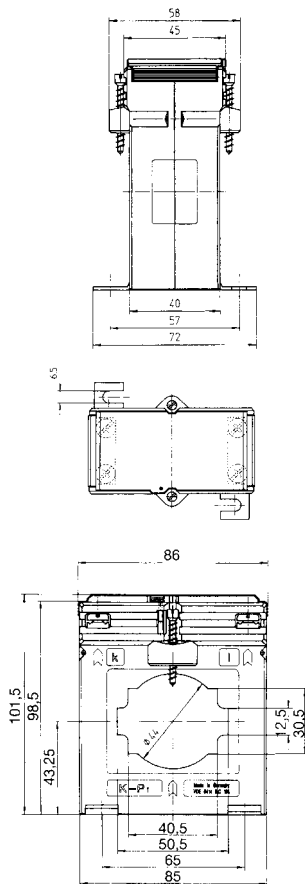


(E)ASK 51.4

Aufsteck-Stromwandler

Plug-in current transformers



| | |
|---|-------------------------------------|
| Primärleiter <i>Primary conductor</i> | 50 x 12 mm 2 x 40 x 10 mm |
| Rundleiter <i>Round conductor</i> | Ø 44,0 mm |
| Wandlerbreite <i>Transformer width</i> | 85 mm |
| Schnappbefestigung <i>Snap-on mounting</i> | Best.-Nr./order-no. - |
| Plombierplatte <i>Sealed shutter</i> | Best.-Nr./order-no. 59042 |

E...= zugelassener Verrechnungsstromwandler
Tariff Current Transformer

| Prim. Strom <i>prim. current</i> | VA | ASK Sek.Strom / <i>sec.current</i> 1A | | | | EASK Sek.Strom / <i>sec.current</i> 1A | | | |
|-------------------------------------|-----|---|--|-------------------------------|--|--|--|-------------------------------|--|
| | | Klasse / class 1 | | Klasse / class 0,5 | | Klasse / class 0,5 | | Klasse / class 0,2 | |
| | | Best.-Nr. <i>order-no.</i> | | Best.-Nr. <i>order-no.</i> | | Best.-Nr. <i>order-no.</i> | | Best.-Nr. <i>order-no.</i> | |
| 100 | 1,5 | 16243 | | | | 16742 | | | |
| | 2,5 | | | | | 16743 | | | |
| 150 | 1,5 | 16244 | | 16211 | | 16744 | | 16713 | |
| | 2,5 | 16245 | | 16210 | | 16745 | | | |
| 200 | 1,5 | | | 16212 | | 16746 | | 16715 | |
| | 2,5 | 16246 | | 16213 | | 16747 | | 16716 | |
| | 5 | 16247 | | 16352 | | 16748 | | 16717 | |
| 250 | 1,5 | | | 16214 | | 16749 | | 16718 | |
| | 2,5 | 16248 | | 16215 | | 16750 | | 16719 | |
| | 5 | 16249 | | 16353 | | 16751 | | 16720 | |
| | 10 | 16390 | | | | | | | |
| 300 | 2,5 | 16250 | | 16217 | | 16753 | | 16722 | |
| | 5 | 16251 | | 16218 | | 16754 | | 16723 | |
| | 10 | 16252 | | | | | | | |
| 400 | 2,5 | 16253 | | 16219 | | 16755 | | 16724 | |
| | 5 | 16254 | | 16220 | | 16756 | | 16725 | |
| | 10 | 16255 | | 16221 | | 16757 | | 16726 | |
| | 15 | 16256 | | | | | | | |
| 500 | 2,5 | 16257 | | 16222 | | 16758 | | 16727 | |
| | 5 | 16258 | | 16223 | | 16759 | | 16728 | |
| | 10 | 16259 | | 16224 | | 16760 | | 16729 | |
| | 15 | 16260 | | | | | | | |
| 600 | 2,5 | 16261 | | 16225 | | 16761 | | 16730 | |
| | 5 | 16262 | | 16226 | | 16762 | | 16731 | |
| | 10 | 16263 | | 16227 | | 16763 | | 16732 | |
| | 15 | 16264 | | 16354 | | 16764 | | 16733 | |
| 750 | 2,5 | 16265 | | 16228 | | | | 16734 | |
| | 5 | 16266 | | 16229 | | 16766 | | 16735 | |
| | 10 | 16267 | | 16230 | | 16767 | | 16736 | |
| | 15 | 16268 | | | | 16768 | | 16737 | |
| 800 | 5 | 16269 | | 16231 | | | | | |
| | 10 | 16270 | | 16232 | | | | | |
| | 15 | 16271 | | 16233 | | | | | |
| | 30 | 16272 | | | | | | | |
| 1000 | 5 | 16273 | | 16234 | | 16770 | | 16739 | |
| | 10 | 16274 | | 16235 | | 16771 | | 16740 | |
| | 15 | 16275 | | 16236 | | 16772 | | 16741 | |
| | 30 | 16276 | | | | | | | |
| 1200 | 5 | 16277 | | 16237 | | | | | |
| | 10 | 16278 | | 16238 | | | | | |
| | 15 | 16279 | | 16239 | | | | | |
| | 30 | 16280 | | | | | | | |
| 1250 | 5 | 16281 | | 16240 | | | | | |
| | 10 | 16282 | | 16241 | | | | | |
| | 15 | 16283 | | 16242 | | | | | |
| | 30 | 16284 | | | | | | | |

ASK 51.4 2U / ASK 51.4 3U

| Prim. Strom prim. current | VA | Sek.strom / sec.current 1A | |
|---------------------------|--------|-----------------------------------|--|
| | | Klasse / class 1 | |
| | | Best.-Nr. order-no. | |
| 400-200 | 5-2,5 | 16330 | |
| | 10-5 | 16331 | |
| 500-250 | 5-2,5 | 16332 | |
| | 10-5 | 16333 | |
| 600-300 | 5-2,5 | 16334 | |
| | 10-5 | 16335 | |
| 800-400 | 5-2,5 | 16336 | |
| | 10-5 | 16337 | |
| | 15-7,5 | 16338 | |
| 1000-500 | 5-2,5 | 16339 | |
| | 10-5 | 16340 | |
| | 15-7,5 | 16341 | |
| 1200-600 | 5-2,5 | 16342 | |
| | 10-5 | 16343 | |
| | 15-7,5 | 16344 | |
| | 30-15 | 16345 | |

| Prim. Strom prim. current | VA | Sek.strom / sec.current 1A | |
|---------------------------|------------|-----------------------------------|--|
| | | Klasse / class 1 | |
| | | Best.-Nr. order-no. | |
| 800-400-200 | 10-5-2,5 | 16362 | |
| 1000-500-250 | 10-5-2,5 | 16363 | |
| | 15-7,5-2,5 | 16364 | |
| 1200-600-300 | 10-5-2,5 | 16365 | |
| | 15-7,5-2,5 | 16366 | |
| 1200-1000-300 | 7,5-5-2,5 | 16374 | |
| 1000-600-400 | 10-5-2,5 | 16375 | |
| 1000-600-300 | 15-10-5 | 16376 | |
| 600-400-200 | 15-7,5-5 | 16378 | |
| 1000-800-600 | 15-10-5 | 16379 | |
| 1000-600-300 | 10-5-2,5 | 16380 | |

(E)ASK 51.4 2U / ASK 51.4 3U

E...= zugelassener Verrechnungsstromwandler
Tariff Current Transformer

| Prim. Strom prim. current | VA | ASK Sek.strom / sec.current 5A | | EASK Sek.Strom / sec.current 5A | | |
|---------------------------|--------|---------------------------------------|--|--|--|---------------------|
| | | Klasse / class 1 | | Klasse / class 0,5 | | Klasse / class 0,5s |
| | | Best.-Nr. order-no. | | Best.-Nr. order-no. | | Best.-Nr. order-no. |
| 200-100 | 5-2,5 | | | 16611 | | 16621 |
| 300-150 | 5-2,5 | | | 16612 | | 16622 |
| 400-200 | 5-2,5 | 16130 | | 16613 | | 16623 |
| | 10-5 | 16131 | | 16614 | | 16624 |
| 500-250 | 5-2,5 | 16132 | | 16615 | | 16625 |
| | 10-5 | 16133 | | 16616 | | 16626 |
| 600-300 | 5-2,5 | 16134 | | 16617 | | 16627 |
| | 10-5 | 16135 | | 16618 | | 16628 |
| 800-400 | 5-2,5 | 16136 | | | | |
| | 10-5 | 16137 | | | | |
| | 15-7,5 | 16138 | | | | |
| 1000-500 | 5-2,5 | 16139 | | 16619 | | 16629 |
| | 10-5 | 16140 | | 16620 | | 16630 |
| | 15-7,5 | 16141 | | | | |
| 1200-600 | 5-2,5 | 16142 | | | | |
| | 10-5 | 16143 | | | | |
| | 15-7,5 | 16144 | | | | |
| | 30-15 | 16145 | | | | |

| Prim. Strom prim. current | VA | ASK Sek.strom / sec.current 5A | |
|---------------------------|------------|---------------------------------------|--|
| | | Klasse / class 1 | |
| | | Best.-Nr. order-no. | |
| 800-400-200 | 10-5-2,5 | 16162 | |
| 1000-500-250 | 10-5-2,5 | 16163 | |
| | 15-7,5-2,5 | 16164 | |
| 1200-600-300 | 10-5-2,5 | 16165 | |
| | 15-7,5-2,5 | 16166 | |
| 1200-1000-300 | 7,5-5-2,5 | 16174 | |
| 1000-600-400 | 10-5-2,5 | 16175 | |
| 1000-600-300 | 15-10-5 | 16176 | |
| 600-400-200 | 15-7,5-5 | 16178 | |
| 1000-800-600 | 15-10-5 | 16179 | |
| 1000-600-300 | 10-5-2,5 | 16180 | |