

# Pulse counters, electronic

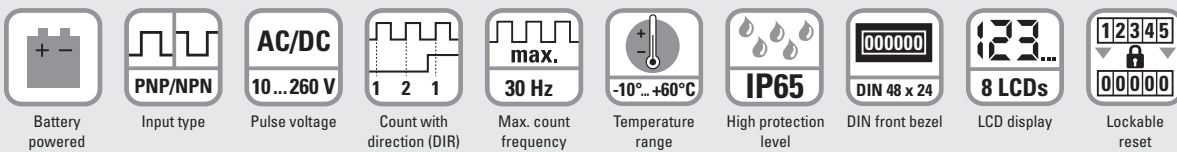
LCD pulse counters

With count direction AC (battery)

Codix 132



The Codix 132 is a simple battery powered pulse counter with count and count direction input, 8-digit LCD display, optional backlighting, for high voltage applications 10 ... 260 V AC/DC.



## Powerful

- High quality LCD display with 8 mm high figures.
- Count direction adding and subtracting via direction input.
- Battery life approx. 8 years.
- Optional display backlighting.
- Filter function for bounce-free counting with mechanical contacts.
- Count frequency max. 30 Hz.
- High protection level IP65.

## Simple

- Screw terminals, RM 5 mm.
- Reset key can be enabled via "Reset Enable" input.
- High voltage version for 10 ... 260 V AC/DC voltage pulses.
- Large 8-digit LCD display with 8 mm high figures.

## Order code

6.132 . 012 . 8X3  
a b

### **a** Backlighting

- 5 = without <sup>1)</sup>
- 6 = with <sup>1)</sup>

### **b** Input type: Cnt.Dir<sup>2)</sup> – count direction with count and static direction input

Input type	INP A				INP B			
3 <sup>1)</sup> = Cnt.Dir <sup>2)</sup>	10 ... 260 V AC/DC	direction	AC/DC	30 Hz	10 ... 260 V AC/DC	count	AC/DC	30 Hz

### Delivery specification

- Pulse counter
- Mounting clip
- Front bezel for screw mounting (T008181) 56 x 40 mm [2.20 x 1.57"], panel cut-out 50 x 25 mm [1.97 x 0.98"]
- Front bezel for clip mounting (T008180) 53 x 28 mm [2.09 x 1.10"], panel cut-out 50 x 25 mm [1.97 x 0.98"]
- Gasket
- Instruction manual, multilingual

1) Stock types.

2) Counting input with counting direction input.

# Pulse counters, electronic

## LCD pulse counters With count direction AC (battery) Codix 132

Accessories	Dimensions in mm [inch]	Order no.
<b>Adapter front bezel, 72 x 36 [2.83 x 1.42]</b>	for cut-out 68 x 33 [2.68 x 1.30] to cut-out 45 x 22.2 [1.77 x 0.87], for counters 48 x 24 [1.89 x 0.94], as set	black and silver anodised <b>162704 Set</b>
<b>Adapter front bezel, 48 x 48 [1.89 x 1.89]</b>	for cut-out 45 x 45 [1.77 x 1.77] to cut-out 45 x 22.2 [1.77 x 0.87], with clip mounting for counters 48 x 24 [1.89 x 0.94]	black <b>T008883</b>
<b>Adapter front bezel, 60 x 50 [2.36 x 1.97]</b>	for cut-out 54 x 29 [2.13 x 1.14] to cut-out 45 x 22.2 [1.77 x 0.87], with screw mounting and gasket for counters 48 x 24 [1.89 x 0.94]	black <b>N003001</b>
<b>Transparent cover, lockable, IP65</b>	for cut-out 54 x 29 [2.13 x 1.14], for screw mounting to front bezel F1B or adapter front bezel N003001, for counters with cut-out 50 x 25 [1.97 x 0.98] or 45 x 22.2 [1.77 x 0.87]	<b>N003002</b>
<b>Sealing cover type K1, IP65</b>	suitable for front bezel 60 x 50 [2.36 x 1.97], for screw mounting of electromech. counters and via adapter front bezel N003001 for counters 48 x 24 [1.89 x 0.94]	<b>G008301</b>
<b>Mounting frame</b> with cut-out 50 x 25 [2.36 x 1.97] via separate adapter also for 45 x 22.2 [1.77 x 0.87]	for snap-on mounting on 35 [1.38] top-hat DIN rail, for counters 53 x 28 [2.09 x 1.10] and via separate adapter (T008180) for counters 48 x 24 [1.89 x 0.94]	chromated <b>G300004</b>

Pulse counters

Suitable gaskets, other accessories and installation examples for optional accessories can be found in chapter accessories or in the accessories section under: [www.kuebler.com/accessories](http://www.kuebler.com/accessories).

### Technical data

General technical data	
<b>Display</b>	LCD, 8 digits, 8 mm [0.32"] high
<b>Backlighting</b>	external electrical source 24 V DC $\pm 20\%$ , 50 mA
<b>Modes</b>	counting direction (count and direction input) or differential counting
<b>Display range</b>	-9999999 ... 99999999, with overflow display
<b>Reset</b>	manual and electrical
<b>Working temperature</b>	-10°C ... +55°C [+14°F ... +131°F] (non-condensing)
<b>Operating temperature</b>	-10°C ... +60°C [+14°F ... +140°F] (non-condensing)
<b>Storage temperature</b>	-20°C ... +70°C [-4°F ... +158°F]
<b>Altitude</b>	up to 2000 m [6562']

Electrical characteristics	
<b>Power supply</b>	internal lithium battery approx. 8 years at 20°C [68°F]
<b>EMC standards</b>	EN 55011 class B, EN 61000-6-2, EN 61000-6-3
<b>Device safety</b>	designed to protection class 2 application area pollution level 2
<b>UL approval</b>	file E128604

Mechanical characteristics	
<b>Housing</b>	dark grey RAL 7021
<b>Protection</b>	IP65 (front side)
<b>Weight</b>	approx. 50 g [1.76 oz]

### Counting inputs

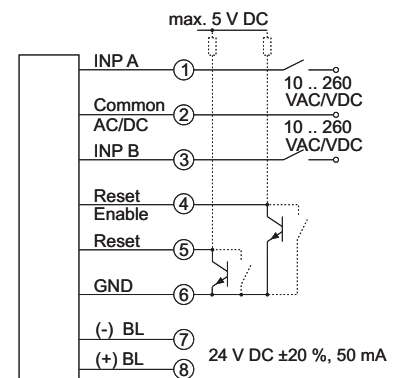
Counting input of the high voltage versions (10 ... 260 V DC/AC)	
counting and direction input	
optocoupler input	max. 30 Hz
minimum pulse time	16 ms
switching level	LOW 0 ... 2 V AC/DC HIGH 10 ... 260 V AC/DC

Reset input	
minimum pulse time	DC 50 ms high voltage 16 ms
contact input DC – NPN	LOW 0 ... 0.7 VDC HIGH 3 ... 30 V DC

Electrical reset key locking	
contact input	open collector NPN (switching at 0 V)
switching level – NPN	LOW 0 ... 0.7 V DC HIGH 3 ... 5 V DC

### Terminal assignment

AC type: 6.132.012.8x3



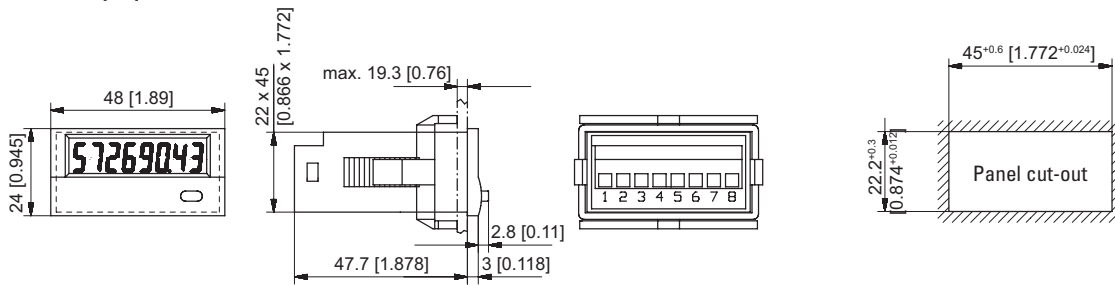
BL = backlighting

# Pulse counters, electronic

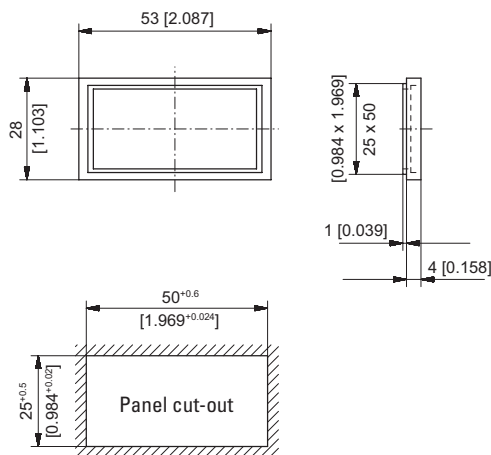
**LCD pulse counters**      **With count direction AC (battery)**      **Codix 132**

## Dimensions

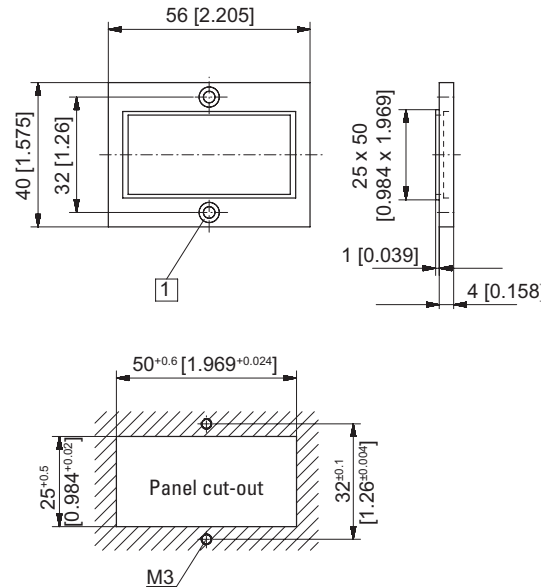
Dimensions in mm [inch]



### Front bezel for clip mounting (included in delivery)



### Front bezel for screw mounting (included in delivery)



1 Countersinking Af3, DIN 74