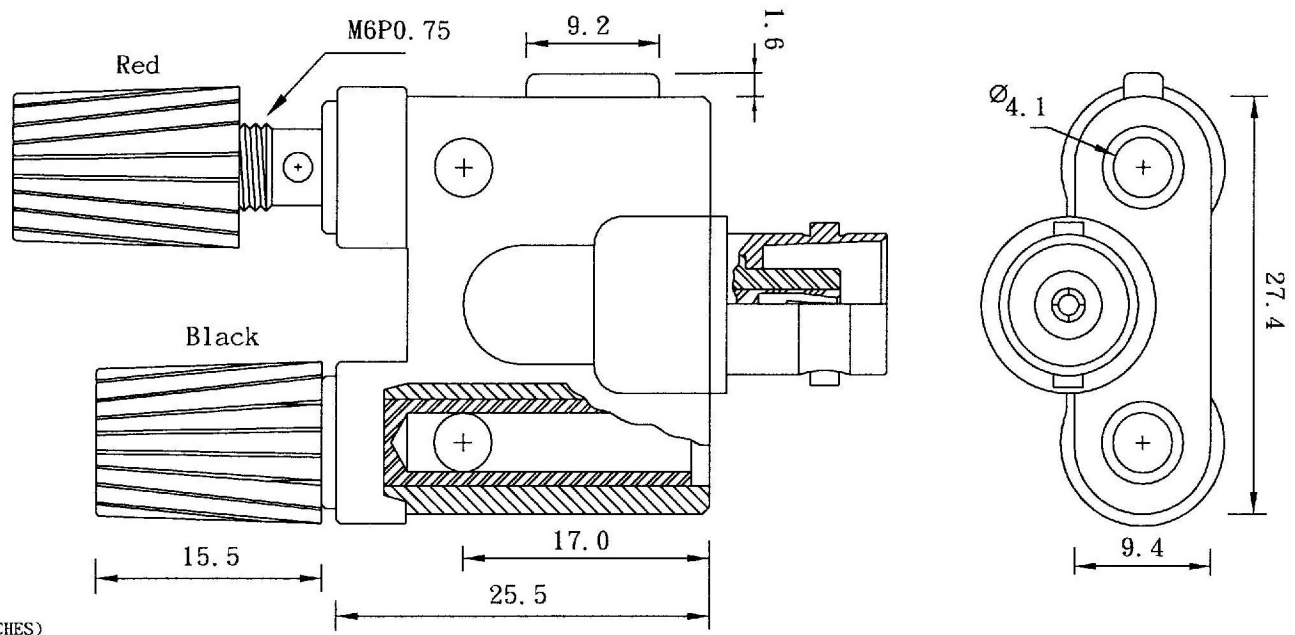


REVISIONS	
MBOL	DESCRIPTION/DATE



- NOTES: FINISH (PLATING THICKNESS IN MICRO-INCHES)
1. BODY: BRASS PER JIS-C3604
 2. CONTACT: BRASS PER JIS-C3604
 3. CONNECTOR INTERFACE PER MIL-STD-348A
 4. PART TO BE CLEAN AND FREE BURRS
 5. NICKEL PL. 70 MIN THICK OVER COPPER STRIKE
 6. GOLD PL. 3 MIN OVER NICKEL PL. 70 MIN THICK OVER COPPER STRIKE

6	Knob	Nylon	Black/Red
5	Housing	PE	Black
4	Binding Post	Brass	Nickel
3	Insulator	Delrin	White
2	Contact	Brass	Gold
1	Body	Brass	Nickel
No	Description	Material	Finish

CUSTOMER OUTLINE DRAWING
 Unless Otherwise Specified Tolerances
 Dimensions Are In Millimeters
 And For Customer Reference Only

0.5-6--/-0.2
 6-30--/-0.4
 30-120--/-0.6
 120-315--/-1.0

RoHS

All Connectors Design Right Protected

RF/Microwave Connectors Professional Manufacture Copy Right Reserved

BN 121166

Part: TL-035

Title: BNC JACK-BINDING POST x2 "Y" TYPE D.G.N.

Date: May/15/2009

Scale: 2:1

Unit: M/M

Rev: A

weigh: 26.8g