

1

2

3

4

A

A

B

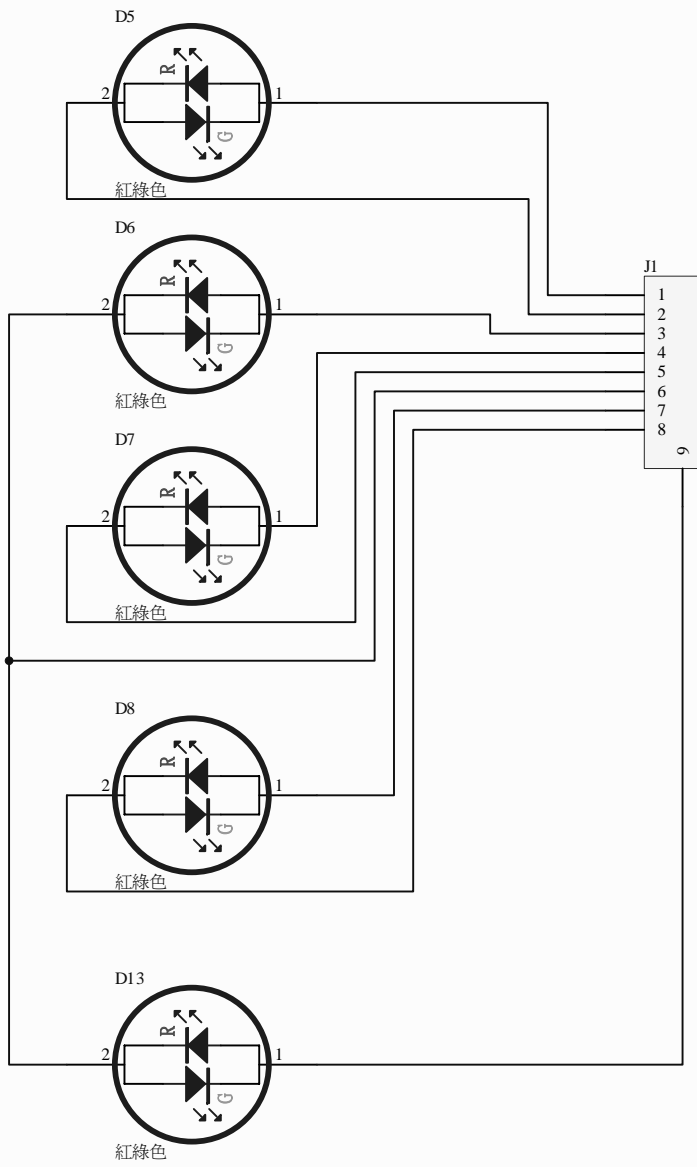
B

C

C

D

D



	REMOTE PCB		
NO	DESCRIPTION	DESIGN	APP'D

SCALE:	UNIT: mm	SIGNATURE	DATE	MODEL: TCT-101
MATERIAL:		DRAWN: Arthur	2004-0921	TITLE: Cabe Tester
FINISH:		CHK: Willian		
P/N:		APP'D:		DWG NO.
A3		SHEET OF	Printout Date: 2014/6/13 下午 02:52:27	FILE NAME: TCT-101 REMOTE.SCHDOC
				REV: 0

1

2

3

4