

Accessories

Adapter front bezel

Details

Dimensions / Details

Adapter front bezel, 60 x 75 mm [2.36 x 2.95"]

with screw mounting
for counters 48 x 48 mm [1.89 x 1.89"]



cut-out:

for cut-out 50 x 50 mm [1.97 x 1.97"]
to cut-out 45 x 45 mm [1.77 x 1.77"]

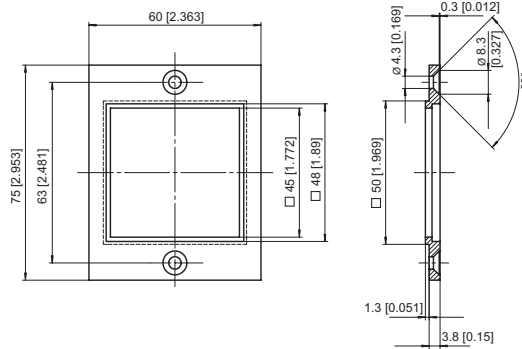
suitable for:

901, Codix 716 / 717,
Codix 923 / 924, Codix 907 / 908,
H 57, HC 77, HW 66, HW 66 M

black

Order-No.

T008860



Adapter front bezel, 72 x 72 mm [2.83 x 2.83"]

with clip mounting
for counters 48 x 48 mm [1.89 x 1.89"]
(Mating clip must be ordered separately)



cut-out:

for cut-out 68 x 68 mm [2.68 x 2.68"]
to cut-out 45 x 45 mm [1.77 x 1.77"]

suitable for:

901, Codix 716 / 717,
Codix 923 / 924, Codix 907 / 908,
H 57, HC 77, HW 66, HW 66 M

grey

black

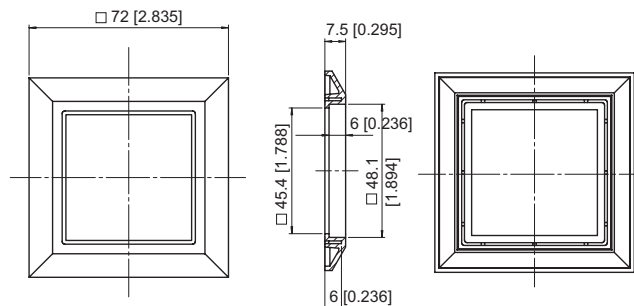
mating clip

Order-No.

T008176

T008177

T009420



Adapter front bezel, Ø 72 mm [2.83"]

with clip mounting
for counters 48 x 48 mm [1.89 x 1.89"]



cut-out:

for cut-out Ø 60 mm [2.36"]
to cut-out 45 x 45 mm [1.77 x 1.77"]

suitable for:

901, Codix 716 / 717,
Codix 923 / 924, Codix 907 / 908,
H 57, HC 77, HW 66, HW 66 M

black

Order-No.

N510226

