

# Setpoint adjuster - MCR-SL-D-SPA-UI - 2710314

Please be informed that the data shown in this PDF Document is generated from our Online Catalog. Please find the complete data in the user's documentation. Our General Terms of Use for Downloads are valid (<http://download.phoenixcontact.com>)



Digital setpoint encoders with manual and automatic ramp for defining current and voltage signals, 4-pos. display

## Product Features

- Automatic setpoint definition with hold function and 20 interpolation points
- Manual setpoint definition via direct input
- Flexible, adjustable signal ranges of 0  
12 V or 0  
24 mA
- Data backup in the event of power failure
- Manual setpoint definition with incremental setting
- Display value parameterization
- Electrical isolation between output and supply

## Key commercial data

package_quantity	1
GTIN	4046356091190

## Technical data

### Dimensions

Width	48 mm
Height	24 mm
Depth	68 mm

### Ambient conditions

Ambient temperature (operation)	-20 °C ... 65 °C
Ambient temperature (storage/transport)	-25 °C ... 85 °C
Degree of protection	IP65 from the front

### Output data

Voltage output signal	0 V ... 12 V
Current output signal	0 mA ... 24 mA
Load/output load voltage output	≥ 2 kΩ
Load/output load current output	≤ 500 Ω (Up to 20 mA)
Load/output load current output	≤ 400 Ω (> 20 mA)

### Power supply

# Setpoint adjuster - MCR-SL-D-SPA-UI - 2710314

## Technical data

### Power supply

<b>Supply voltage range</b>	10 V DC ... 30 V DC
<b>Power consumption</b>	1 W (With 24 mA/12 V)

### General

<b>Maximum transmission error</b>	< 0.2 % ((full-scale) at rated voltage)
<b>Maximum temperature coefficient</b>	0.02 %/K
<b>Test voltage output/power supply</b>	500 V AC (50 Hz, 1 min.)
<b>Color</b>	black
<b>Housing material</b>	Macrolon 2405
<b>Conformance</b>	CE-compliant
<b>UL, USA / Canada</b>	UL 508 Recognized

## classifications

### eCl@ss

<b>eCl@ss 4.0</b>	27200303
<b>eCl@ss 4.1</b>	27200303
<b>eCl@ss 5.0</b>	27200303
<b>eCl@ss 5.1</b>	27200303
<b>eCl@ss 6.0</b>	27200303
<b>eCl@ss 7.0</b>	27142316
<b>eCl@ss 8.0</b>	27142316

### ETIM

<b>ETIM 2.0</b>	EC001440
<b>ETIM 3.0</b>	EC001440
<b>ETIM 4.0</b>	EC001440
<b>ETIM 5.0</b>	EC000677

### UNSPSC

<b>UNSPSC 6.01</b>	30211506
<b>UNSPSC 7.0901</b>	39121008
<b>UNSPSC 11</b>	39121008
<b>UNSPSC 12.01</b>	39121008
<b>UNSPSC 13.2</b>	39121008

## approvals

---

UL Recognized / cUL Recognized / cULus Recognized /

---

### Approval details

# Setpoint adjuster - MCR-SL-D-SPA-UI - 2710314

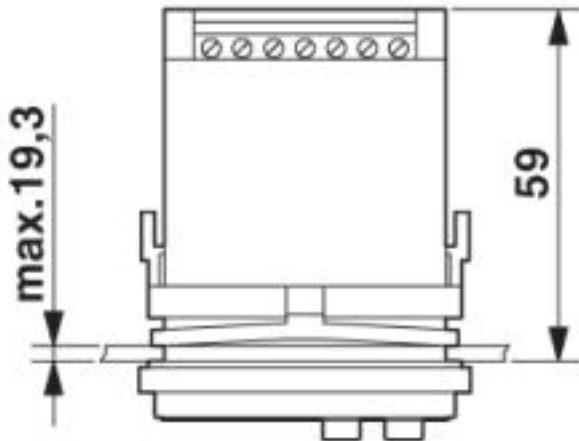
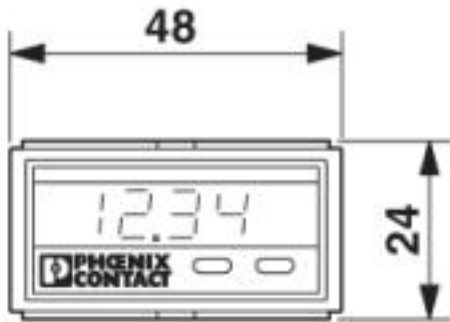
approvals



Drawings

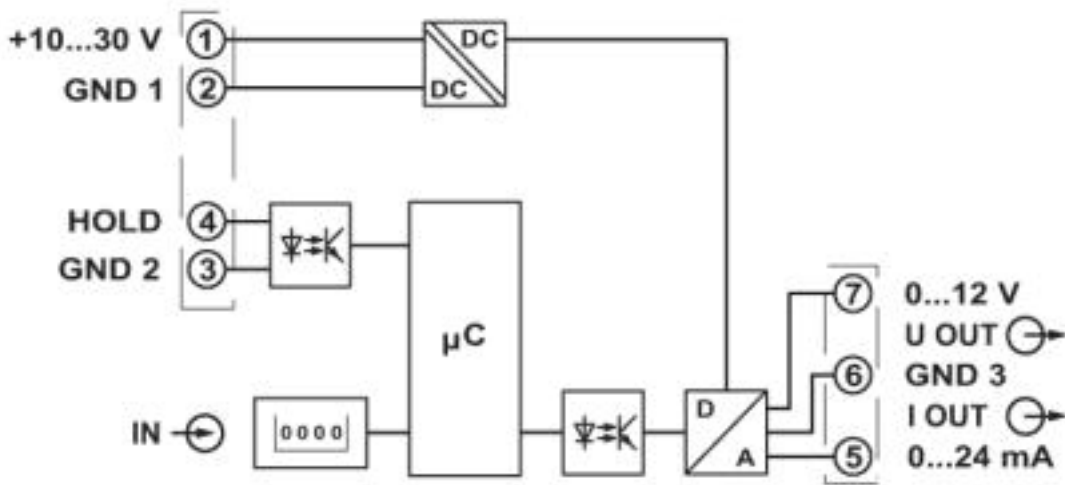
# Setpoint adjuster - MCR-SL-D-SPA-UI - 2710314

Dimensioned drawing



# Setpoint adjuster - MCR-SL-D-SPA-UI - 2710314

Circuit diagram



© Phoenix Contact 2013 - all rights reserved  
<http://www.phoenixcontact.com>