

EPM-04 / EPM-06 / EVM-05 Series



EPM-04h General

3-Phase
 Measured Parameters : V, A, Hz
 Max. / Min. and Demand Values
 Run Hour and Total Run Hour (non-resettable)
 Programmable CT and VT Ratios
 Password Protection

Resettable Hourmeter



Continuous Hourmeter



Product Code

	3 ~ Voltage	3 ~ Current	Cosφ	Hz (Frequency)	I neutral	Demand	Max. Values	Min. Values	Alarm Contact	Under / Over Voltage Protection	Under / Over Current Protection	Under / Over Frequency Protection	RS-485 Comm.	.../5A	CT-25 (120A)	Run Hour (Resettable)	Total Hour (Nonresettable)	Flush Mount	Rail Mount	Pcs / Carton
EPM-04-96	●	●	●	●	●	●	●	●						○	○			●		12
EPM-04h-96	●	●	●	●	●	●	●	●						○	○	●	●			12
EPM-04h-96-CT25	●	●	●	●	●	●	●	●						○	○	●	●			12
EPM-04-DIN	●	●	●	●	●	●	●	●						○	○				●	12
EPM-04C-96	●	●	●	●	●	●	●	●		●	●	●		○	○			●		12
EPM-04C-DIN	●	●	●	●	●	●	●	●		●	●	●		○	○				●	12
EPM-04CS-96	●	●	●	●	●	●	●	●		●	●	●		○	○				●	12
EPM-04CS-DIN	●	●	●	●	●	●	●	●		●	●	●		○	○				●	12
EPM-06-96	●	●	●	●	●	●	●	●						○	○					12
EPM-06-DIN	●	●	●	●	●	●	●	●						○	○					12
EPM-06C-96	●	●	●	●	●	●	●	●		●	●	●		○	○					12
EPM-06C-DIN	●	●	●	●	●	●	●	●		●	●	●		○	○					12
EPM-06CS-96	●	●	●	●	●	●	●	●		●	●	●		○	○					12
EPM-06CS-DIN	●	●	●	●	●	●	●	●		●	●	●		○	○					12
EVM-05C-96				●			●	●		●	●	●		○	○					12
EVM-05C-DIN				●			●	●		●	●	●		○	○					12

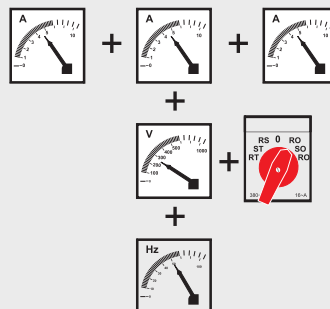
○ Min. Order Quantity is 200pcs/device.
 (either ... / 5A or CT-25 connection)

Max. Demand

Alarm Contact



Modbus



EPM-06-DIN



EPM-06C-96

EPM-04 / EPM-06 / EVM-05 Series

MODEL	EPM-04	EPM-04h	EPM-04C	EPM-04CS	EPM-06	EPM-06C	EPM-06CS	EVM-05C
SPECIFICATIONS								
HOUSING								
Dimensions	96x96mm PR19,DIN6 PK26							
Protection Class	IP40 Front Panel; IP54 Optional							
Weight	0,56kg/device; One package contains 12 pcs. (PR19) / 0,52kg/device; One package contains 12 pcs. (PK26)							0,45kg/device; One package contains 12 pcs.
Display	Red LED, Height: 10mm(PR19)/9,2mm(PK26)							
MEASUREMENTS								
Voltage								
Measuring Range	10-300V AC (L-N),10-500VAC (L-L)							
Measuring Range with Transformer	Transformer Ratio: 1.0-4000							
Accuracy	%1±1 digit							
Input Impedence	1.8 MΩ							
Current								
Nominal Current	5.5 A							
Measurement Range	5 mA - 5,5 A Accuracy: %1 ±1digit							
Measurement Range with Transformer	50mA-10kA							
Burden	<0.5 VA							
Overload Current	1.2 In							
Demand/Demand Time	Programmable between 1-60 Minutes							
Frequency	45-65 Hz							
SUPPLY								
Operating Voltage	110VAC/230VAC, ±%10 veya 45-265VAC/DC							
Operating Frequency	45-65Hz							
Power Consumption	<4 VA							
INPUT/OUTPUT/SETTINGS								
Delay Time	0-999,9 sec. for ON- and OFF-delay time							
Contact Output	-	5A 1250VA	-	5A 1250VA				
AMBIENT CONDITIONS								
Ambient Temperature	-5C/+50°C							
Overvoltage Category	III							
Pollution Degree	II							
Ambient Humidity	%90							
STANDARDS								
Security Standards	EN 61010-1							
EMC Standards	EN 61000-6-2, EN 61000-6-4							
Mechanical Endurance	EN 60529							
CONNECTIONS								
Installation	Flush-mounting with rear terminals(PR 19), Rail mount(PK 26)							
Connection Terminals	Socket Type Terminal with Screws(PR19), Terminal with screws(PK26)							
Connection Types	3 Phase+Neutral(3P4W), 3 Phase(3P3W)							

Frequency (Hz)	Neutral Current	Max / Min. Values
----------------	-----------------	-------------------

Measured Parameters (EPM-04 / 04C / 04CS)

+

Cos-phi	2 Hourmeters(only in EPM-04h)
---------	-------------------------------

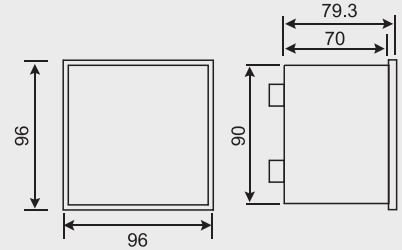
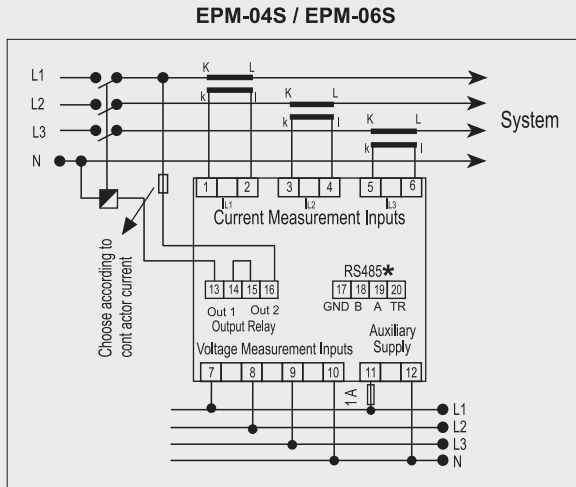
Measured Parameters (EPM-06 / 06C / 06CS)

EPM-04 / EPM-06 / EVM-05 Series

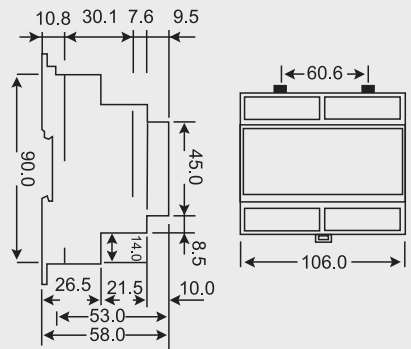
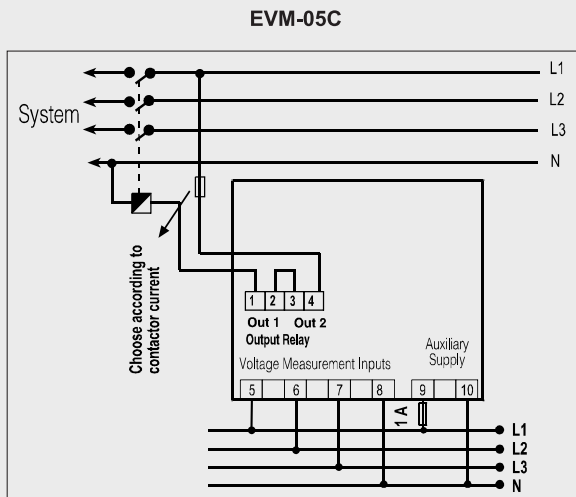
Connection Diagram

(PR19- 96x96mm)

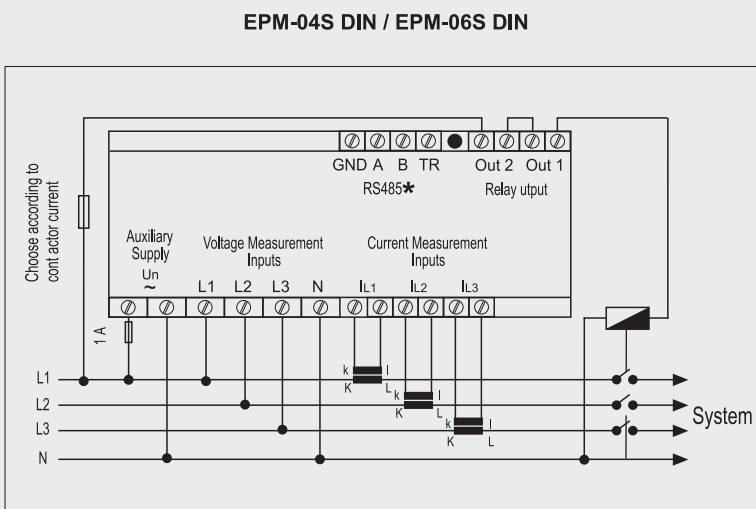
Dimensions



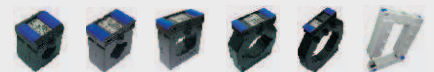
TYPE PR 19



TYPE DIN / PK 26



for Current Transformers;
See page 43
section Power Factor Correction



Connection diagrams are given for reference. Please always check the latest user manual given with product.