

Pulse Concentrator

EPC-12

NEW



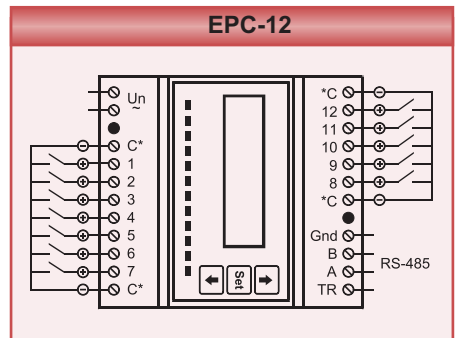
General

- Pulse collection from energy, water, gas meters
- 12 different meter inputs
- Defining 8 different tariffs for each meter
- DST (Daylight Saving Time) feature
- RS-485 communication

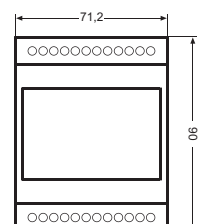
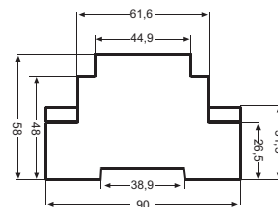
SPECIFICATIONS

	EPC-12
ENCLOSURE	
Dimensions	DIN 4 (PK27)
Protection Class	IP40
Weight	456,4 gr.
Display	Backlit 2x12 LCD
PALS	
Minimum Pulse Width	10ms
Minimum Time Between Pulses	30ms
Minimum Pulse Period	60ms
Maximum Pulse Frequency	16Hz
Maximum Contact Resistance	800 ohm
Pulse Voltage	10 V
Trigger Edge	Rising and Pulse Width Control
Total Counter Capacity	34359738368
SUPPLY	
Operating Voltage	190-260V AC
Power Consumption	< 5 VA
Operating Frequency	45-65 Hz
STANDARDS	
Security Standards	EN 61010-1
Terminal Protection Class	IP 00
AMBIENT CONDITIONS	
Ambient Temperature	-25 / +55°C
Storing Temperature	-25 / +70°C
Humidity	95%
CONNECTIONS	
Mounting	Rail Mount
Connection Type	Terminal Rail
Cable Thickness for Voltage Connection	2,5mm ²
Cable Thickness for Pulse Connection	1,5mm ²
Cable Thickness for RS-485 Connection	Cat 5 cable
COMMUNICATION	
Communication Interface / Protocol	MODBUS RTU (RS-485)
Parity	None, odd, even
Address	1-247
Transfer Speed	2400-38400 bps
Max. communication distance	1200m

Connection Diagram



Dimensions



Remote Monitoring