



Dual SET Heating and Cooling Controller

Temperature Controllers



ESM-3712-HCN

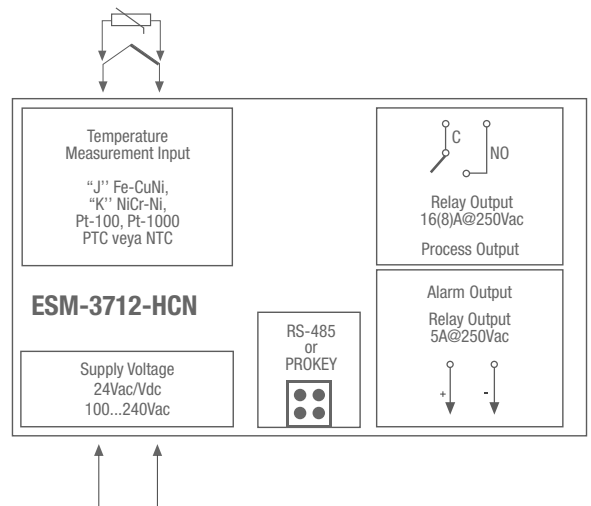


- ▶ Installing parameters using Prokey
- ▶ 2 Output for compressor and alarm controls

- ▶ Remote access, data collecting and controlling with Modbus RTU
- ▶ Process Set value and Alarm Set value low limit and set value high limit boundaries

Specifications

- 4 Digits Display
- NTC Input or PTC Input (Must be determined in order)
- ON/OFF temperature control
- Selectable heating or cooling function
- Selection of operation with hysteresis
- Adjustable temperature offset
- Alarm parameters
- Operation selection of compressor operates continuously, stops or operates periodically in case of sensor defect
- Compressor protection delays
- Password protection for programming section
- Adjustable Alarm Set Value from front panel
- Adjustable internal buzzer according to Sensor prob defect and Alarm status



Technical Specification

- Accuracy:** ±1% of scale
- Cold Junction Compensation:** Automatically ± 0.1°C/1°C
- Sensor Break Protection:** Upscale
- Sampling Cycle:** 3 samples per second

