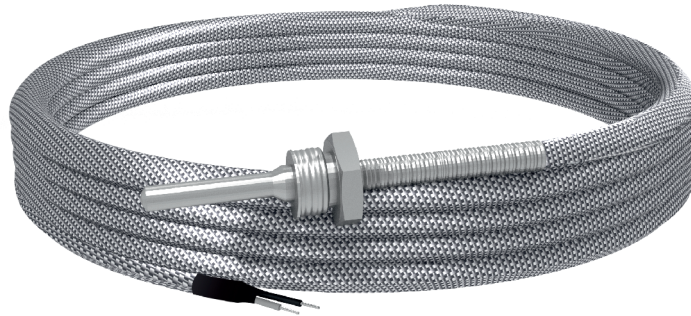
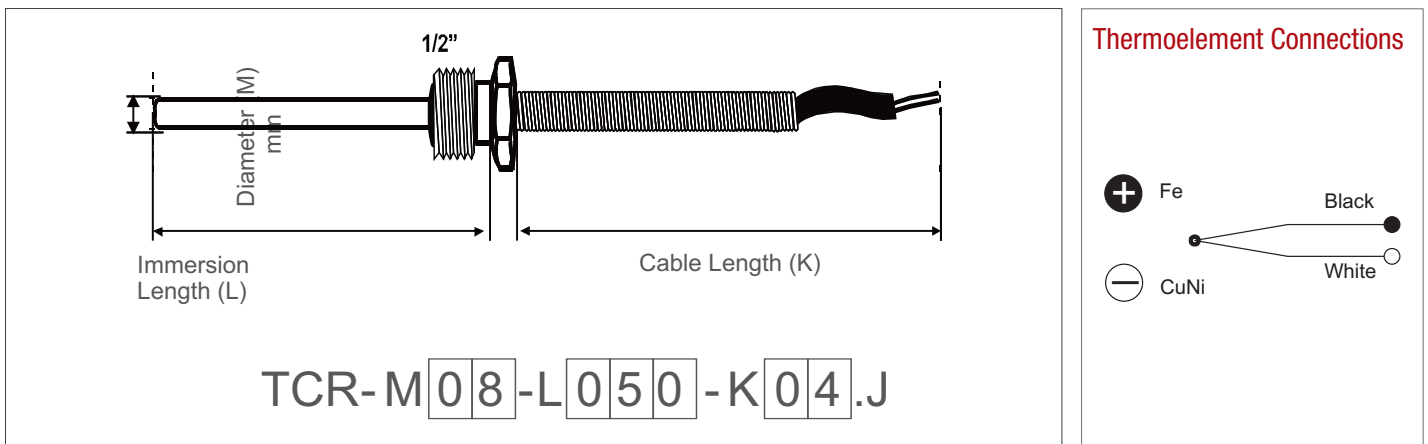


► (TCR) Bayonet Type with fittingnut
TCR-M08-L050-K04.J



Max. operating temperature	: -50 °C / +400 °C
Standard cable types	: Fiber glass + fiber glass + braided wire
Sensor type	: DIN/IEC-584 "J" FeCu-Ni E=J
Protection tube material	: AISI304 (DIN1.4301) Stainless Steel
Fittingnut	: Standard 1/2"

► Technical drawing



Diameter (M)	: 8 mm
Immersion Length (L)	: 50 mm
Cable length (K)	: 4 meter