

# SIEMENS

## MICROMASTER 420

Operating Instructions

Issue A1



User Documentation

## **IMPORTANT NOTICE**

Not all inverters currently have UL approval.

UL listing can be determined by examining the  
inverter's Rating Label.

For UL listed products the following UL mark is used:



# SIEMENS

## MICROMASTER 420

### Operating Instructions User Documentation

**Valid for Release**

*Inverter Type*  
MICROMASTER 420

*Control Version*  
September 2000

**Issue: A1**

Overview	1
Installation	2
Commissioning	3
Using the MICROMASTER 420	4
System Parameters	5
Troubleshooting	6
MICROMASTER 420 Specifications	7
Supplementary Information	8
Appendices	A B C D E F G H
Index	

Further information is available on the Internet under:

<http://www.siemens.de/micromaster>

Approved Siemens Quality for Software and Training  
is to DIN ISO 9001, Reg. No. 2160-01

The reproduction, transmission or use of this document, or its  
contents is not permitted unless authorized in writing.  
Offenders will be liable for damages. All rights including rights  
created by patent grant or registration of a utility model or  
design are reserved.

© Siemens AG 2000. All Rights Reserved.

MICROMASTER® is a registered trademark of Siemens.

Other functions not described in this document may be  
available. However, this fact shall not constitute an obligation  
to supply such functions with a new control, or when  
servicing.

We have checked that the contents of this document  
correspond to the hardware and software described. There  
may be discrepancies nevertheless, and no guarantee can be  
given that they are completely identical. The information  
contained in this document is reviewed regularly and any  
necessary changes will be included in the next edition. We  
welcome suggestions for improvement.

Siemens handbooks are printed on chlorine-free paper that  
has been produced from managed sustainable forests. No  
solvents have been used in the printing or binding process.  
Document subject to change without prior notice.

---

Order Number. 6SE6400-5AA00-0BP0  
Printed in the United Kingdom

Siemens-Aktiengesellschaft.

## Foreword

### User Documentation



---

#### Warning

Before installing and commissioning, you must read the safety instructions and warnings carefully and all the warning labels attached to the equipment. Make sure that the warning labels are kept in a legible condition and replace missing or damaged labels.

---

MICROMASTER documentation is structured within three distinct levels:

- ◆ **Getting Started Guide**

The Getting Started Guide is designed to give you quick access to all the basic information required to install and set up your MICROMASTER 420 for operation.

- ◆ **Operating Instructions**

The Operating Instructions provide detailed information for installation and operation of your MICROMASTER 420. The Operating Instructions also provide detailed descriptions of the parameters available for customizing the functions of the MICROMASTER 420.

- ◆ **Reference Manual**

The Reference Manual contains in-depth information on all technical issues relating to the MICROMASTER 420 Inverter.

For more detailed information on MICROMASTER 420 publications and for information about other publications in the MICROMASTER range please contact your local Siemens office or refer to our Web Site: <http://www.siemens.de/micromaster>.

## Definitions and Warnings



---

### **Danger**

For the purpose of this documentation and the product warning labels, "Danger" indicates that death, severe personal injury or substantial damage to property will result if proper precautions are not taken.

---



---

### **Warning**

For the purpose of this documentation and the product warning labels, "Warning" indicates that death, severe personal injury or substantial damage to property can result if proper precautions are not taken.

---



---

### **Caution**

For the purpose of this documentation and the product warning labels, "Caution" indicates that minor personal injury or material damage can result if proper precautions are not taken.

---

---

### **Note**

For the purpose of this documentation, "Note" indicates important information relating to the product or highlights part of the documentation for special attention.

---

---

### **Qualified personnel**

For the purpose of this Instruction Manual and product labels, a "Qualified person" is someone who is familiar with the installation, mounting, start-up and operation of the equipment and the hazards involved.

He or she must have the following qualifications:

1. Trained and authorized to energize, de-energize, clear, ground and tag circuits and equipment in accordance with established safety procedures.
  2. Trained in the proper care and use of protective equipment in accordance with established safety procedures.
  3. Trained in rendering first aid.
- 

### **Use for intended purpose only**

The equipment may be used only for the application stated in the manual and only in conjunction with devices and components recommended and authorized by Siemens.

### **Contact address**

Should any questions or problems arise while reading this manual, please contact the Siemens office concerned using the form provided at the back this manual.

## Safety Instructions

The following Warnings, Cautions and Notes are provided for your safety and as a means of preventing damage to the product or components in the machines connected. This section lists Warnings, Cautions and Notes, which apply generally when handling MICROMASTER 420 Inverters, classified as **General, Transport & Storage, Commissioning, Operation, Repair and Dismantling & Disposal**.

**Specific Warnings, Cautions and Notes** that apply to particular activities are listed at the beginning of the relevant chapters and are repeated or supplemented at critical points throughout these chapters.

**Please read the information carefully, since it is provided for your personal safety and will also help prolong the service life of your MICROMASTER 420 Inverter and the equipment you connect to it.**

### General



#### Warnings

- ◆ This equipment contains dangerous voltages and controls potentially dangerous rotating mechanical parts. Non-compliance with **Warnings** or failure to follow the instructions contained in this manual can result in loss of life, severe personal injury or serious damage to property.
- ◆ Only suitable qualified personnel should work on this equipment, and only after becoming familiar with all safety notices, installation, operation and maintenance procedures contained in this manual. The successful and safe operation of this equipment is dependent upon its proper handling, installation, operation and maintenance.
- ◆ Risk of electric shock. The DC link capacitors remain charged for five minutes after power has been removed. **It is not permissible to open the equipment until 5 minutes after the power has been removed.**



#### Caution

- ◆ Children and the general public must be prevented from accessing or approaching the equipment!
- ◆ This equipment may only be used for the purpose specified by the manufacturer. Unauthorized modifications and the use of spare parts and accessories that are not sold or recommended by the manufacturer of the equipment can cause fires, electric shocks and injuries.

#### Notes

- ◆ Keep these operating instructions within easy reach of the equipment and make them available to all users
- ◆ Whenever measuring or testing has to be performed on live equipment, the regulations of Safety Code VBG 4.0 must be observed, in particular § 8 "Permissible Deviations when Working on Live Parts". Suitable electronic tools should be used.
- ◆ Before installing and commissioning, please read these safety instructions and warnings carefully and all the warning labels attached to the equipment. Make sure that the warning labels are kept in a legible condition and replace missing or damaged labels

## Transport & Storage



---

### Warnings

- ◆ Correct transport, storage, erection and mounting, as well as careful operation and maintenance are essential for proper and safe operation of the equipment.
- 



---

### Caution

- ◆ Protect the inverter against physical shocks and vibration during transport and storage. Also be sure to protect it against water (rainfall) and excessive temperatures (see *table on Page 95*).
- 

## Commissioning



---

### Warnings

- ◆ Work on the device/system by **unqualified** personnel or failure to comply with warnings can result in severe personal injury or serious damage to material. Only suitably qualified personnel trained in the setup, installation, commissioning and operation of the product should carry out work on the device/system.
  - ◆ Only permanently-wired input power connections are allowed. This equipment must be grounded (IEC 536 Class 1, NEC and other applicable standards).
  - ◆ If a Residual Current-operated protective Device (RCD) is to be used, it must be an RCD type B.
  - ◆ Machines with a three phase power supply, fitted with EMC filters, must not be connected to a supply via an ELCB (Earth Leakage Circuit-Breaker - see *DIN VDE 0160, section 6.5*).
  - ◆ The following terminals can carry dangerous voltages even if the inverter is inoperative:
    - the power supply terminals L/L1, N/L2, L3.
    - the motor terminals U, V, W, DC+, DC-
- 



---

### Caution

The connection of power, motor and control cables to the inverter must be carried out as shown in Figure 2-4 on page 25, to prevent inductive and capacitive interference from affecting the correct functioning of the inverter.

---



## Operation



### Warnings

- ◆ MICROMASTERS operate at high voltages.
- ◆ When operating electrical devices, it is impossible to avoid applying hazardous voltages to certain parts of the equipment.
- ◆ Emergency Stop facilities according to EN 60204 IEC 204 (VDE 0113) must remain operative in all operating modes of the control equipment. Any disengagement of the Emergency Stop facility must not lead to uncontrolled or undefined restart.
- ◆ Wherever faults occurring in the control equipment can lead to substantial material damage or even grievous bodily injury (i.e. potentially dangerous faults), additional external precautions must be taken or facilities provided to ensure or enforce safe operation, even when a fault occurs (e.g. independent limit switches, mechanical interlocks, etc.).
- ◆ Certain parameter settings may cause the inverter to restart automatically after an input power failure.
- ◆ This equipment is capable of providing internal motor overload protection in accordance with UL508C section 42. Refer to P0610 (level 3) and P0335. Motor overload protection can also be provided using an external PTC via a digital input.
- ◆ This equipment is suitable for use in a circuit capable of delivering not more than 10,000 symmetrical amperes (rms), for a maximum voltage of 230/460V when protected by a time delay fuse (see *Table on Page 93*)
- ◆ This equipment must not be used as an 'emergency stop mechanism' (see *EN 60204, 9.2.5.4*)

## Repair



### Warnings

- ◆ Repairs on equipment may only be carried out by **Siemens Service**, by repair centers **authorized by Siemens** or by qualified personnel who are thoroughly acquainted with all the warnings and operating procedures contained in this manual.
- ◆ Any defective parts or components must be replaced using parts contained in the relevant spare parts list.
- ◆ Disconnect the power supply before opening the equipment for access

## Dismantling & Disposal

### Notes

- ◆ The inverter's packaging is re-usable. Retain the packaging for future use or return it to the manufacturer.
- ◆ Easy-to-release screw and snap connectors allow you to break the unit down into its component parts. You can then re-cycle these component parts, dispose of them in **accordance with local requirements or return them to the manufacturer.**



# Table of Contents

1	Overview.....	15
	1.1 The MICROMASTER 420.....	16
	1.2 Features .....	16
2	Installation .....	17
	2.1 General.....	18
	2.2 Ambient operating conditions .....	19
	2.3 Mechanical Installation .....	20
	2.4 Electrical Installation.....	21
3	Commissioning.....	27
	3.1 Front Panels for the MICROMASTER 420 .....	29
	3.2 General operation.....	34
4	Using the MICROMASTER 420 .....	37
	4.1 Frequency Setpoint.....	38
	4.2 Command Sources (P0700).....	38
	4.3 OFF and braking Functions .....	39
	4.4 Control Modes (P1300).....	40
	4.5 Faults and warnings.....	40
5	System Parameters.....	41
	5.1 Overview of MICROMASTER System Parameters .....	42
	5.2 Introduction to MICROMASTER System Parameters.....	43
	5.3 System Parameters and Definitions .....	48
6	Troubleshooting.....	91
	6.1 Troubleshooting with the Status Display Panel.....	92
	6.2 Troubleshooting with the Basic Operator Panel.....	93
	6.3 MICROMASTER 420 fault codes .....	94
7	MICROMASTER 420 Specifications .....	99
8	Supplementary Information .....	103
	8.1 Available options .....	104
	8.2 Electro-Magnetic Compatibility (EMC).....	104

A - Changing the Operator Panel .....	109
B - Removing Covers Frame Size A.....	111
C - Removing Covers Frame Sizes B and C .....	113
D - Removing 'Y' Cap Frame Size A .....	115
E - Removing 'Y' Cap Frame Sizes B and C .....	117
F - User Parameter Settings .....	119
G - Applicable Standards .....	121
H - List of Abbreviations.....	123
Index .....	125

**List of Illustrations**

Figure 2-1 Drill pattern for MICROMASTER 420 ..... 20  
 Figure 2-2 MICROMASTER 420 Connection Terminals ..... 23  
 Figure 2-3 Motor and Power Connections ..... 23  
 Figure 2-4 Wiring Guidelines to Minimize the Effects of EMI ..... 25  
 Figure 3-1 Panels available for the MICROMASTER 420 Inverter ..... 29  
 Figure 3-2 Basic operation with SDP ..... 30  
 Figure 3-3 Buttons on the Basic Operator Panel ..... 31  
 Figure 3-4 Changing parameters via the BOP ..... 32  
 Figure 3-5 Typical Motor Rating Plate Example ..... 33  
 Figure 3-6 Motor Overload PTC Connection ..... 33  
 Figure 3-7 Inverter block diagram ..... 36

**List of Tables**

Table 3-1 Default settings for operation using the Status Display Panel ..... 29  
 Table 3-3 Default settings for operation using the BOP ..... 30  
 Table 6-1 Inverter conditions indicated by the LEDs on the SDP ..... 92  
 Table 6-2 MICROMASTER 420 Fault Codes ..... 94  
 Table 6-3 MICROMASTER 420 Warning Codes ..... 96  
 Table 7-1 MICROMASTER 420 Specifications ..... 99  
 Table 7-2 MICROMASTER Performance Ratings ..... 101  
 Table 8-1 Class 1 - General Industrial ..... 105  
 Table 8-2 Class 2 - Filtered Industrial ..... 105  
 Table 8-3 Class 3 - Filtered for Residential, Commercial and Light Industry ..... 106  
 Table 8-4 Compliance Table ..... 107  
 Table E-1 User's Parameters Settings ..... 119



# 1 Overview

**This Chapter contains:**

A summary of the major features of the MICROMASTER 420 range.

1.1	The MICROMASTER 420.....	16
1.2	Features .....	16

## 1.1 The MICROMASTER 420

The MICROMASTER 420s are a range of frequency inverters for controlling the speed of three phase AC motors. The various models available range from the 120 W single phase input to the 11 kW three phase input.

The inverters are microprocessor-controlled and use state-of-the-art Insulated Gate Bipolar Transistor (IGBT) technology. This makes them reliable and versatile. A special pulse-width modulation method with selectable switching frequency permits quiet motor operation. Comprehensive protective functions provide excellent inverter and motor protection.

The MICROMASTER 420 with its default factory settings, is ideal for a large range of simple motor control applications. The MICROMASTER 420 can also be used for more advanced motor control applications via its comprehensive parameter lists.

The MICROMASTER 420 can be used in both 'stand-alone' applications as well as being integrated into 'Automation Systems'.

## 1.2 Features

### Main characteristics

- ◆ Easy to install, parameterize and commission
- ◆ Fast repeatable response time to control signals
- ◆ Comprehensive range of parameters enabling configuration for widest range of applications
- ◆ Simple cable connection
- ◆ Modular design for extremely flexible configuration
- ◆ High switching frequencies for low-noise motor operation
- ◆ External options for PC communications, Basic Operator Panel (BOP), Advanced Operator Panel (AOP) and Profibus Communications Module

### Performance characteristics

- ◆ Flux Current Control (FCC) for improved dynamic response and motor control
- ◆ Fast Current Limitation (FCL) for operation with trip-free mechanism
- ◆ Built-in DC injection brake
- ◆ Compound Braking to improve braking performance
- ◆ Acceleration/deceleration times with programmable smoothing
- ◆ Closed-loop control using Proportional, Integral (PI) control loop function

### Protection characteristics

- ◆ Complete protection for motor and inverter
- ◆ Overvoltage/undervoltage protection
- ◆ Overtemperature protection for the inverter
- ◆ Ground fault protection
- ◆ Short-circuit protection
- ◆ I<sup>2</sup>t thermal motor protection



## 2 Installation

### This Chapter contains:

- ◆ General data relating to installation
- ◆ Dimensions of Inverter
- ◆ Wiring guidelines to minimize the effects of EMI
- ◆ Details concerning electrical installation

2.1	General.....	18
2.2	Ambient operating conditions .....	19
2.3	Mechanical Installation .....	20
2.4	Electrical Installation .....	21



### Warnings

- ◆ Work on the device/system by **unqualified** personnel or failure to comply with warnings can result in severe personal injury or serious damage to material. Only suitably qualified personnel trained in the setup, installation, commissioning and operation of the product should carry out work on the device/system.
- ◆ Only permanently-wired input power connections are allowed. This equipment must be grounded (IEC 536 Class 1, NEC and other applicable standards).
- ◆ If a Residual Current-operated protective Device (RCD) is to be used, it must be an RCD type B.
- ◆ Machines with a three-phase power supply, fitted with EMC filters, must not be connected to a supply via an ELCB (Earth Leakage Circuit-Breaker EN50178 Section 5.2.11.1).
- ◆ The following terminals can carry dangerous voltages even if the inverter is inoperative:
  - the power supply terminals L/L1, N/L2, L3.
  - the motor terminals U, V, W, DC+, DC-
- ◆ Always wait **5 minutes** to allow the unit to discharge after switching off before carrying out any installation work.



### Caution

The connection of power, motor and control cables to the inverter must be carried out as shown in Figure 2-4 on page 25, to prevent inductive and capacitive interference from affecting the correct functioning of the inverter.

## 2.1 General

### Installation after a Period of Storage

Following a prolonged period of storage, you must reform the capacitors in the inverter. The requirements are listed below.

Period of Storage	Required Action	Preparation Time
1 year or less	No reforming required	No preparation
1 to 2 years	Apply power to the inverter for one hour before issuing the run command	1 hour
2 to 3 years	<ul style="list-style-type: none"> <li>⇒ Use a variable AC supply</li> <li>⇒ Apply 25% of input voltage for 30 minutes</li> <li>⇒ Increase volts to 50% for a further 30 minutes</li> <li>⇒ Increase volts to 75% for a further 30 minutes</li> <li>⇒ Increase volts to 100% for a further 30 minutes</li> </ul> <b>Inverter ready for run signal</b>	2 hours
3 years and over	<ul style="list-style-type: none"> <li>⇒ Use a variable AC supply</li> <li>⇒ Apply 25% of input voltage for 2 hours</li> <li>⇒ Increase volts to 50% for a further 2 hours</li> <li>⇒ Increase volts to 75% for a further 2 hours</li> <li>⇒ Increase volts to 100% for a further 2 hours</li> </ul> <b>Inverter ready for run signal</b>	8 hours

## 2.2 Ambient operating conditions

### Temperature

Min. operating = -10°C

Max. operating = 50°C

### Humidity Range

95% Non-condensing

### Altitude

If the inverter is to be installed at an altitude > 1000m, derating will be required.  
(Refer to MM420 Reference Manual)

### Shock

Do not drop the inverter or expose to sudden shock.

### Vibration

Do not install the inverter in an area where it is likely to be exposed to constant vibration.

### Electromagnetic Radiation

Do not install the inverter near sources of electromagnetic radiation.

### Atmospheric Pollution

Do not install the inverter in an environment, which contains atmospheric pollutants such as dust, corrosive gases, etc.

### Water

Take care to site the inverter away from potential water hazards, e.g. do not install the inverter beneath pipes that are subject to condensation. Avoid installing the inverter where excessive humidity and condensation may occur. IP54 and IP56 units offer additional protection.

### Overheating

Mount the inverter vertically to ensure optimum cooling. Additional ventilation may be required for horizontal mounting.

Ensure that the inverter's air vents are not obstructed. Allow 100 mm clearance above and below the inverter.

## 2.3 Mechanical Installation

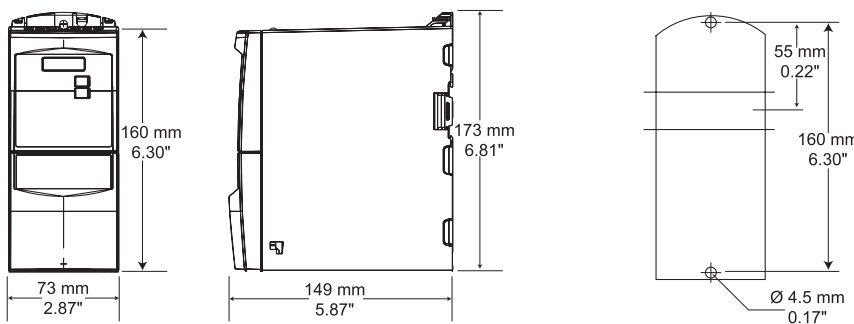


### Warning

#### THIS EQUIPMENT MUST BE GROUNDED.

- ◆ To ensure the safe operation of the equipment, it must be installed and commissioned by qualified personnel in full compliance with the warnings laid down in these operating instructions.
- ◆ Take particular note of the general and regional installation and safety regulations regarding work on dangerous voltage installations (e.g. EN 50178), as well as the relevant regulations regarding the correct use of tools and personal protective gear.
- ◆ The mains input, DC and motor terminals, can carry dangerous voltages even if the inverter is inoperative; wait **5 minutes** to allow the unit to discharge after switching off before carrying out any installation work.

#### Frame Size A:

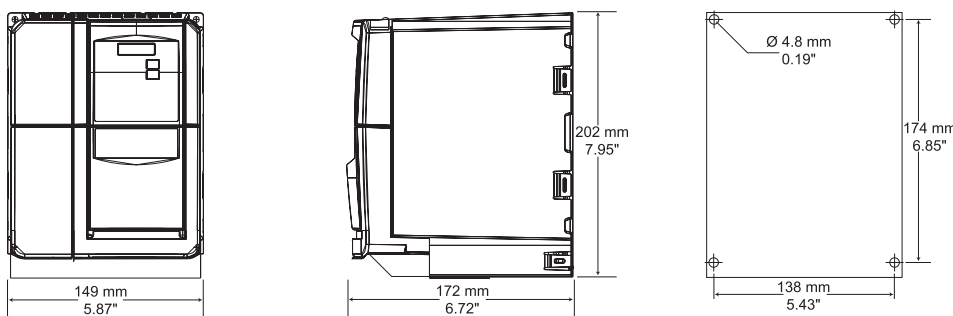


Fixing with  
2 bolts M4  
2 nuts M4  
2 washers M4

Tightening torque (unit to cabinet) with washers fitted: 2.5 Nm

Connecting to DIN rail

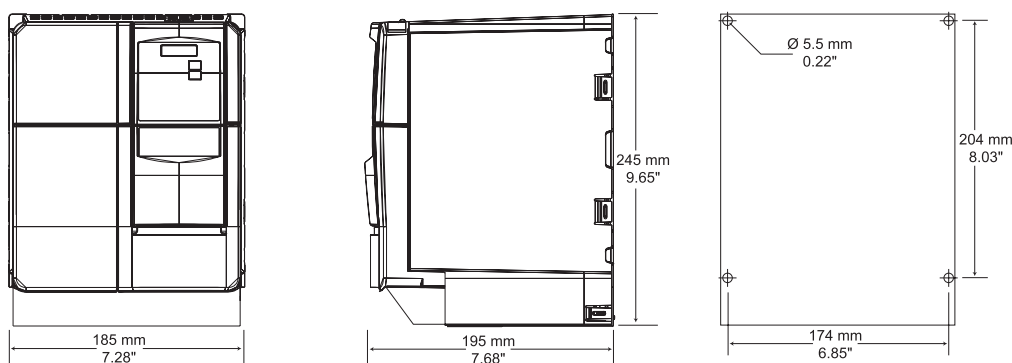
#### Frame Size B:



Fixing with  
4 bolts M4  
4 nuts M4  
4 washers M4

Tightening torque (unit to cabinet) with washers fitted: 2.5 Nm

#### Frame Size C:



Fixing with  
4 bolts M5  
4 nuts M5  
4 washers M5

Tightening torque (unit to cabinet) with washers fitted: 3 Nm

Figure 2-1 Drill pattern for MICROMASTER 420

## 2.4 Electrical Installation



### Warning

#### **THIS EQUIPMENT MUST BE GROUNDED.**

- ◆ To ensure the safe operation of the equipment, it must be installed and commissioned by qualified personnel in full compliance with the warnings laid down in these operating instructions.
- ◆ Take particular note of the general and regional installation and safety regulations regarding work on dangerous voltage installations (e.g. EN 50178), as well as the relevant regulations regarding the correct use of tools and personal protective gear.
- ◆ The mains input, DC and motor terminals, can carry dangerous voltages even if the inverter is inoperative; wait **5 minutes** to allow the unit to discharge after switching off before carrying out any installation work.
- ◆ The inverters can be installed in a side-by-side configuration, but a distance of 100 mm (3.94 inches) must be maintained if the inverters are installed on top of each other.

### 2.4.1 General



#### Warning

**The inverter must always be grounded.** If the inverter is not grounded correctly, extremely dangerous conditions may arise within the inverter which could prove potentially fatal.

#### Operation with ungrounded (IT) supplies

The MICROMASTER will operate from ungrounded supplies and will continue to operate if an input phase is shorted to ground. If an output phase is shorted to ground, the MICROMASTER will trip and indicate F0001.

On ungrounded supplies, it will be necessary to remove the 'Y' capacitor from the inside of the unit and fit an output choke. The procedure for removing this capacitor is described in Appendices E and F.

#### Operation with Residual Current Device

If an RCD (also referred to as ELCB or RCCB) is fitted, the MICROMASTER inverters will operate without nuisance tripping, provided that:

- A type B RCD is used.
- The trip limit of the RCD is 300mA.
- The neutral of the supply is grounded.
- Only one inverter is supplied from each RCD.
- The output cables are less than 50m (screened) or 100m (unscreened).

## Operation with long cables



### Caution

The control, power supply and motor leads **must** be laid separately. Do not feed them through the same cable conduit/trunking. Never use high voltage insulation test equipment on cables connected to the inverter.

All inverters will operate at full specification with cable lengths up to 50 m screened or 100 m unscreened.

## 2.4.2 Power and motor connections



### Warning

- ◆ Isolate the mains electrical supply before making or changing connections to the unit.
- ◆ Ensure that the motor is configured for the correct supply voltage: single / three-phase 230 V MICROMASTERS must not be connected to a 400 V three-phase supply.
- ◆ When synchronous machines are connected or when coupling several motors in parallel, the inverter must be operated with voltage/frequency control characteristic (P1300 = 0, 2 or 3).



### Caution

After connecting the power and motor cables to the proper terminals, make sure that the covers have been replaced properly before supplying power to the unit!

### Note

- ◆ Ensure that the appropriate circuit-breakers/fuses with the specified current rating are connected between the power supply and inverter (*see table on Page 93*).
- ◆ Use Class 1 60/75°C copper wire only (for UL compliance). Tightening torque for the power terminals is 1.1 Nm.
- ◆ To tighten up the power terminal screws use a 4 - 5 mm cross-tip screwdriver.

## Access to the power and motor terminals

The procedure for accessing the power and motor terminals on the MICROMASTER 420 Inverter is illustrated in Appendices B and C. Please also refer to the photographs showing the Power Terminal connections and the Control Terminal connections on the inside of the back cover of this manual.

When the covers have been removed to reveal the terminals, connect the power and motor connections as shown on the next page.

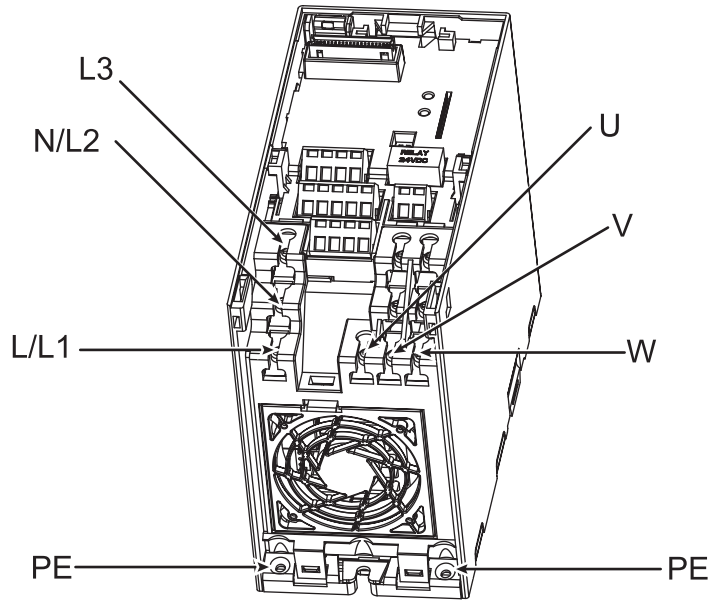


Figure 2-2 MICROMASTER 420 Connection Terminals

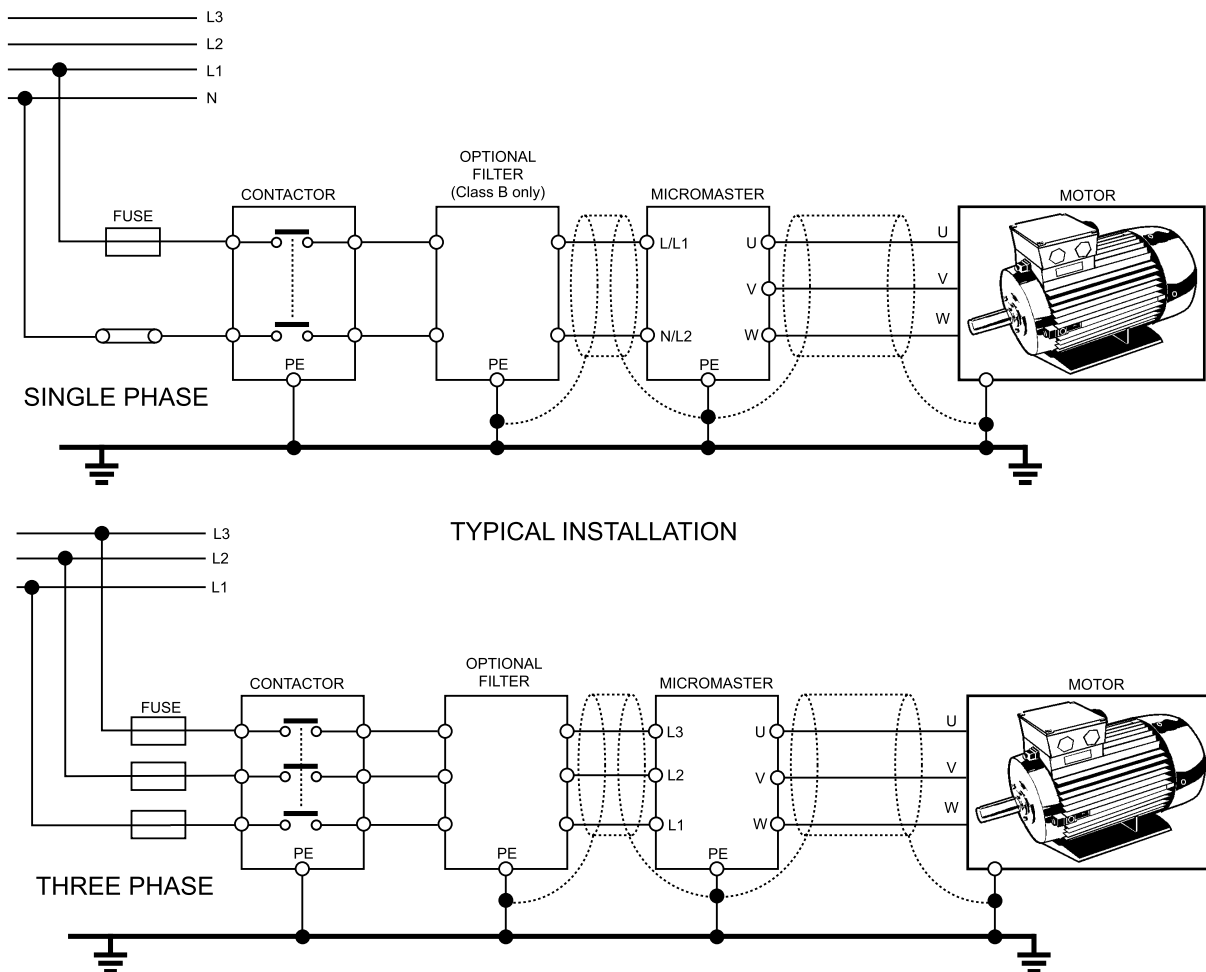


Figure 2-3 Motor and Power Connections

### 2.4.3 Avoiding Electro-Magnetic Interference (EMI)

The inverters are designed to operate in an industrial environment where a high level of EMI can be expected. Usually, good installation practices will ensure safe and trouble-free operation. If you encounter problems, follow the guidelines stated below.

#### Action to Take

- ◆ Ensure that all equipment in the cubicle is well grounded using short, thick grounding cable connected to a common star point or busbar
- ◆ Make sure that any control equipment connected to the inverter (such as a PLC) is connected to the same ground or star point as the inverter via a short thick link.
- ◆ Connect the return ground from the motors controlled by the inverters directly to the ground connection (PE) on the associated inverter
- ◆ Flat conductors are preferred as they have lower impedance at higher frequencies
- ◆ Terminate the ends of the cable neatly, ensuring that unscreened wires are as short as possible
- ◆ Separate the control cables from the power connections as much as possible, using separate trunking, if necessary at 90° right angles
- ◆ Whenever possible, use screened leads for the connections to the control circuitry
- ◆ Ensure that the contactors in the cubicle are suppressed, either with R-C suppressors for AC contactors or 'flywheel' diodes for DC contactors fitted to the coils. Varistor suppressors are also effective. This is important when the contactors are controlled from the inverter relay
- ◆ Use screened or armored connections for the motor connections and ground the screen at both ends using the cable clamps



---

#### Warning

Safety regulations **must not** be compromised when installing inverters!

---



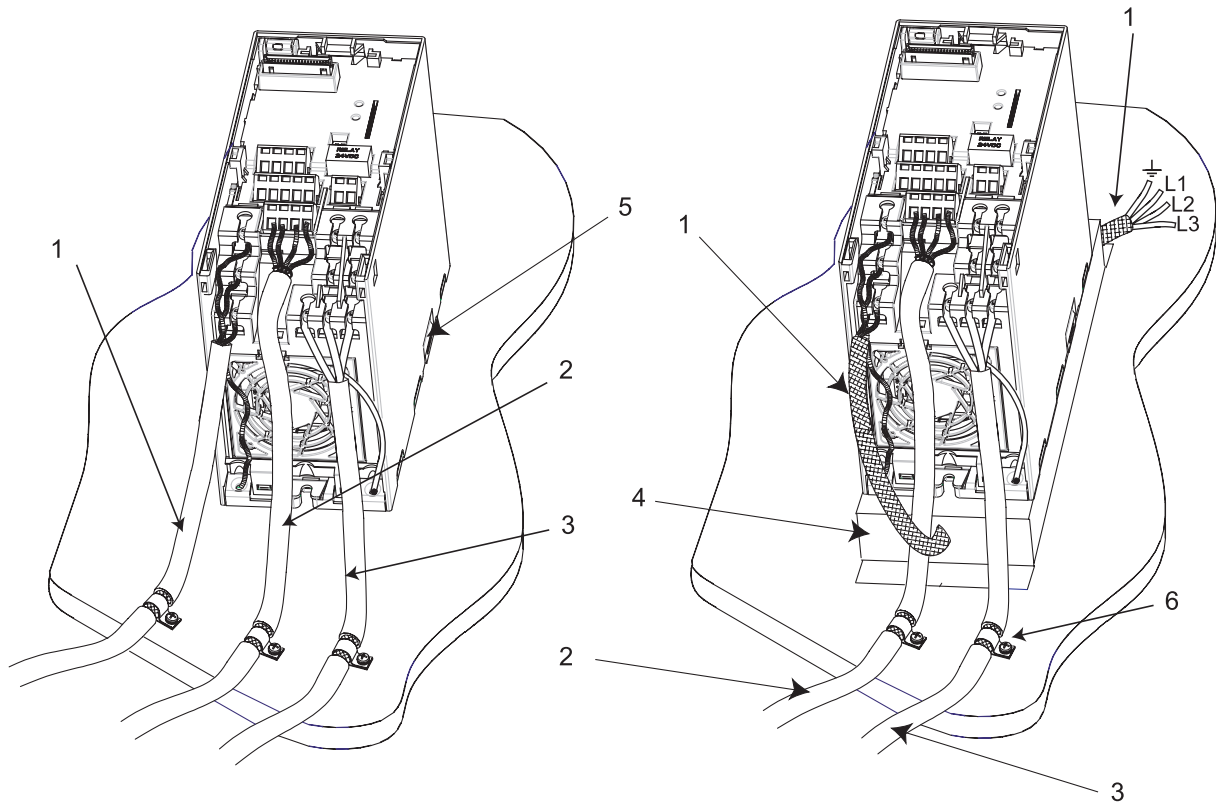


Figure 2-4 Wiring Guidelines to Minimize the Effects of EMI

Key	Meaning in diagrams above
1	Mains power input
2	Control cable
3	Motor cable
4	Footprint filter
5	Metal back plate
6	Use suitable clips to fix motor and control cable screens securely to metal back plate

#### Note

To enhance the screening of the motor and control cables, the optional Gland Plate can be used (not shown in Figure 2-4).



## 3 Commissioning

### This Chapter contains:

- ◆ Description of the front panel controls
- ◆ A brief description of the optional front panels available and an explanation of the operation of the Basic Operator Panel (BOP)
- ◆ An 8-step guide at the end of the Chapter, which provides a simple procedure for changing parameters

3.1	Front Panels for the MICROMASTER 420 .....	29
3.2	General operation .....	34




---

**Warning**

- ◆ MICROMASTERS operate at high voltages.
  - ◆ When operating electrical devices, it is impossible to avoid applying hazardous voltages to certain parts of the equipment.
  - ◆ Emergency Stop facilities according to EN 60204 IEC 204 (VDE 0113) must remain operative in all operating modes of the control equipment. Any disengagement of the Emergency Stop facility must not lead to uncontrolled or undefined restart.
  - ◆ Wherever faults occurring in the control equipment can lead to substantial material damage or even grievous bodily injury (i.e. potentially dangerous faults), additional external precautions must be taken or facilities provided to ensure or enforce safe operation, even when a fault occurs (e.g. independent limit switches, mechanical interlocks, etc.).
  - ◆ Certain parameter settings may cause the inverter to restart automatically after an input power failure.
  - ◆ This equipment is capable of providing internal motor overload protection in accordance with UL508C section 42. Refer to P0610 (level 3) and P0335. Motor overload protection can also be provided using an external PTC via a digital input.
  - ◆ This equipment is suitable for use in a circuit capable of delivering not more than 10,000 symmetrical amperes (rms), for a maximum voltage of 230/460V when protected by a time delay fuse (see *Table on Page 93*).
  - ◆ This equipment must not be used as an 'emergency stop mechanism' (see *EN 60204, 9.2.5.4*)
- 




---

**Caution**

Only qualified personnel may enter settings in the control panels. Particular attention must be paid to safety precautions and warnings at all times.

---

The MICROMASTER 420 is supplied with a Status Display Panel (SDP) and default parameter settings that cover the following requirements:

- ◆ The motor rating data, Voltage, Current and Frequency are all compatible with the inverter data. (A standard Siemens motor is recommended).
- ◆ Linear V/f motor speed, controlled by an analogue potentiometer.
- ◆ Maximum speed 3000 min<sup>-1</sup> with 50 Hz (3600 min<sup>-1</sup> with 60 Hz), Controllable using a potentiometer via the inverter's analogue inputs
- ◆ Ramp-up time / Ramp-down time = 10 s

If more complex application settings are required, please refer to the parameter listing in these Operating Instructions.

For changing parameters you will need one of the optional modules "Basic Operator Panel" (BOP) or the "Advanced Operator Panel" (AOP) described below.

Furthermore the parameters can be changed by communication options (refer to the Reference Manual).

For instruction on how to exchange/replace the Operator Panels see Appendix A

---

**Note**

- ◆ The same BOP/AOP can be used for each MICROMASTER 420. After changing the parameters replace the BOP/AOP by the SDP.
  - ◆ The terminal layout for connecting power and control cables is shown in the photograph on the inside of the back cover of this manual.
-

## 3.1 Front Panels for the MICROMASTER 420

### Front panels

The front panels shown below are available for use with the MICROMASTER 420 Inverters. The panel on the left is supplied with the inverter as standard and is referred to as the Status Display Panel (SDP). The Basic Operator Panel (BOP) and Advanced Operator Panel (AOP) are available as options.

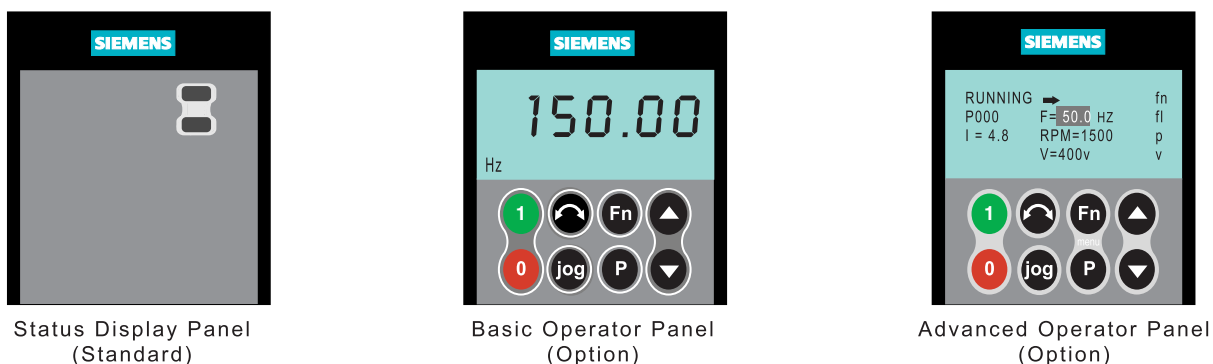
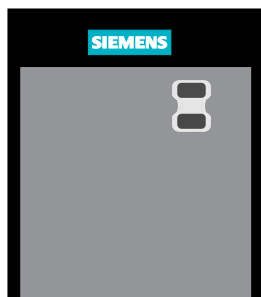


Figure 3-1 Panels available for the MICROMASTER 420 Inverter

### Changing the front panel

The procedure for removing the SDP and fitting the BOP or AOP, which are available as options, is described in Appendix A.

#### 3.1.1 Commissioning with the Status Display Panel (SDP)



The SDP is supplied with your MICROMASTER 420 Inverter as standard. This panel has two LEDs on the front, which indicate the operational status of the inverter.

With the SDP the inverter can be used with its default settings, that covers a lot of applications. The default settings are shown in Table 3.1

The terminal layout is shown in the photograph of the Control Terminal Connections on the inside of the back cover of this manual.

Table 3-1 Default settings for operation using the Status Display Panel

	Terminals	Parameter	Default Operating
Digital Input 1	5	P0701 = '1'	ON right
Digital Input 2	6	P0702 = '12'	Reverse
Digital Input 3	7	P0703 = '9'	Fault Reset
Output Relay	10/11	P0731 = '52.3'	Fault Identification
Analogue Output	12/13	P0771 = 21	Output Frequency
Analogue input	3/4	P0700 = 0	Frequency Setpoint
	1/2		Analog Input supply

## Warnings and faults states on the Status Display Panel

The two LEDs on the Status Display Panel indicate the operating status of your inverter. These LEDs also indicate various warnings or fault states. In section 6.2 the inverter states, indicated by the two LEDs are explained.

### 3.1.2 Basic operation with SDP

With the **SDP** fitted, the following is possible:

- ◆ Start and stopping the motor
- ◆ Reversing the motor
- ◆ Fault Reset

Controlling the speed of the motor

Connect the terminals as shown in the figure below.

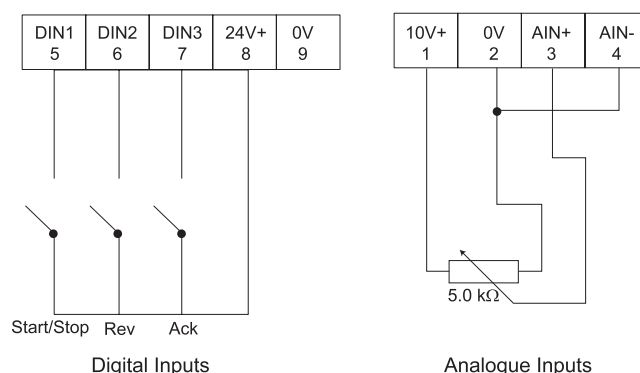


Figure 3-2 Basic operation with SDP

#### Note

The terminal layout for connecting power and control cables is shown in the photographs on the inside of the back cover of this manual.

### 3.1.3 Commissioning with the Basic Operator Panel (BOP)



The Basic Operator Panel (BOP), which is available as an option, provides access to the inverter parameters and enables you to customize the settings of your MICROMASTER 420. The BOP can be used to configure several MICROMASTER 420 Inverters. There is no need to purchase a separate BOP for each inverter.

It should be noted that the BOP, by default is disabled. To control the motor via the BOP, parameter P0700 should be set to 1.

Table 3-2 shows the factory default settings for operation via the Basic Operator Panel.

Table 3-3 Default settings for operation using the BOP

Parameter	Meaning	Default Europe (North America)
P0100	Operating Mode Europe/US	50 Hz, kW (60Hz, hp)
P0307	Power (rated motor)	kW (Hp)
P0310	Rated motor frequency	50 Hz (60 Hz)
P0311	Rated Motor Speed	1395 (1680) rpm [depending on variant]
P1082	Maximum Motor Frequency	50 Hz (60 Hz)

## Buttons on the Basic Operator Panel










Panel/Button	Function	Effects
	Indicates Status	The LCD displays the settings currently used by the converter.
	Start converter	Pressing the button starts the converter. This button is disabled by default. To enable this button set P0700 = 1.
	Stop converter	OFF1 Pressing the button causes the inverter to come to a standstill at the selected ramp down rate. Disabled by default, to enable set P0700 = 1. OFF2 Pressing the button twice (or once long) causes the motor to coast to a standstill.
	Change direction	Press this button to change the direction of rotation of the motor. Reverse is indicated by a minus (-) sign or a flashing decimal point. Disabled by default, to enable set P0700 = 1.
	Jog motor	Pressing this button while the inverter has no output causes the motor to start and run at the preset jog frequency. The inverter stops when the button is released. Pressing this button when the inverter/motor is running has no effect.
	Functions	This button can be used to view additional information. See also Section 5.1.2 on page 44. It works by pressing and holding the button. It shows the following, starting from any parameter during operation: 1. DC link voltage (indicated by d). 2. output current. (A) 3. output frequency (Hz) 4. output voltage (o). 5. The value (selected in P0005).
	Access parameters	Pressing this button allows access to the parameters.
	Increase value	Pressing this button increases the displayed value. To change the Frequency Setpoint via the BOP set P1000 = 1.
	Decrease value	Pressing this button decreases the displayed value. To change the Frequency Setpoint via the BOP set P1000 = 1.

Figure 3-3 Buttons on the Basic Operator Panel

### Changing parameters with the BOP

The following description shows how to change the parameter P1082, use this description as a guide for setting any parameters using the 'BOP'.



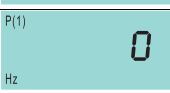




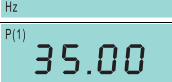
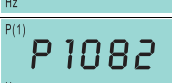



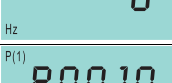
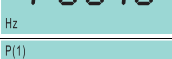


Step	Result on display
1 Press <b>P</b> to access parameters	
2 Press <b>▲</b> until P0010 is displayed	
3 Press <b>P</b> to access P0010 parameter value level	
4 Press <b>▲</b> to set P0010 = 1	
5 Press <b>P</b> to save and exit parameter value level	
6 Press <b>▲</b> until P1082 is displayed	
7 Press <b>P</b> to access P1082 parameter value level	
8 Press <b>▼</b> to select desired maximum frequency	
9 Press <b>P</b> to save and exit parameter value level	
10 Press <b>▼</b> to return to P0010	
11 Press <b>P</b> to access P0010 parameter value level	
12 Press <b>▼</b> to return value to P0010 = 0	
13 Press <b>P</b> to save and exit parameter value level	
14 Press <b>▼</b> to return to r0000	
15 Press <b>P</b> to exit Parameterization	
The LCD will alternate between actual frequency and the requested frequency setpoint	

Figure 3-4 Changing parameters via the BOP

The required maximum frequency has now been stored.

**Note - Busy Message**

In some cases - when changing parameter values - the display on the BOP shows " - - - ". This means the inverter is busy with tasks of higher priority.



**Motor data for parameterization**

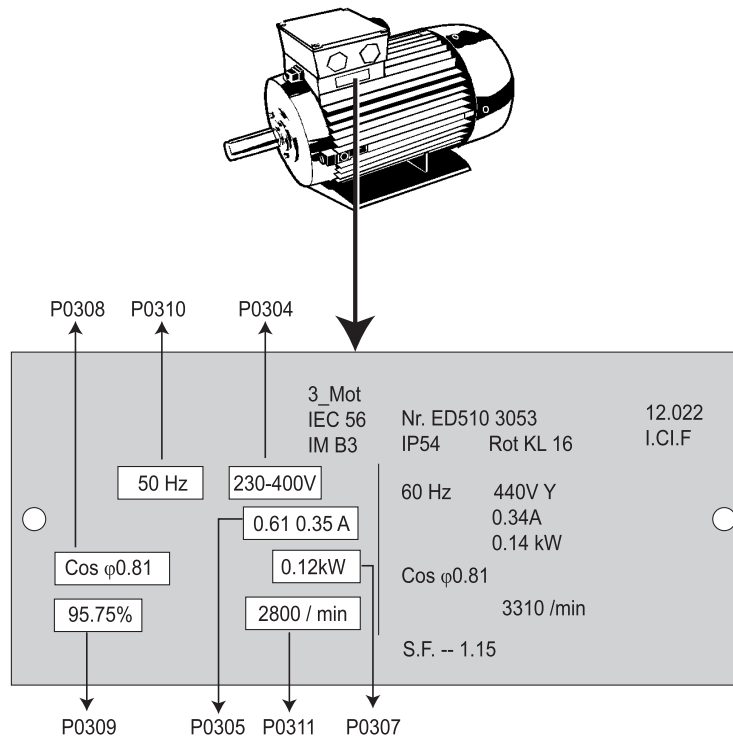
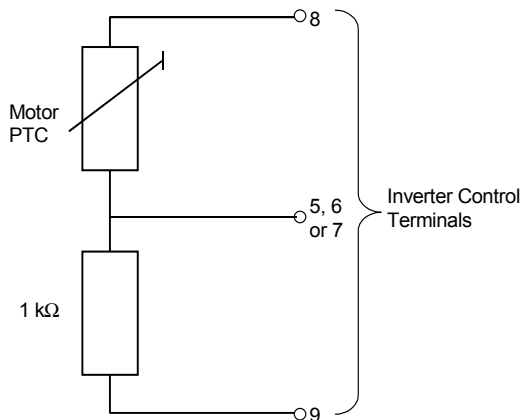


Figure 3-5 Typical Motor Rating Plate Example

**Note**

- ◆ Changing motor parameters is not possible unless P0010=3.
- ◆ Ensure that the inverter is configured correctly to the motor, i.e. in the above example delta terminal connection is for 230 V.

**External motor thermal overload protection**



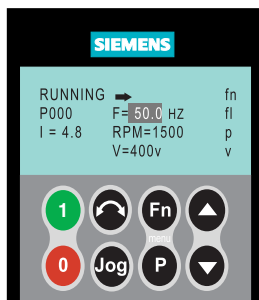
When operated below rated speed, the cooling effect of fans fitted to the motor shaft is reduced. Consequentially, most motors require de-rating for continuous operation at low frequencies. To ensure that the motors are protected against overheating under these conditions, a PTC temperature sensor must be fitted to the motor and connected to the inverter control terminals as shown in Figure 3-6.

Figure 3-6 Motor Overload PTC Connection

**Note:**

To enable the trip function, set parameter P0701, P0702 or P0703 = 29.

### 3.1.4 Commissioning with the Advanced Operator Panel (AOP)



The Advanced Operator Panel (AOP) is available as an option. Its advanced features include the following:

- Multilingual clear text display
- Upload/download of multiple parameter sets
- Programmable via PC
- Multidrop capability to drive up to 30 MICROMASTER 4's

Please refer to the AOP Manual for details or contact your local Siemens sales office for assistance.

## 3.2 General operation

For a full description of standard and extended parameters, please refer to Section 6.

### 3.2.1 General

1. The inverter does not have a main power switch and is live when the mains supply is connected. It waits, with the output disabled, until the RUN button is pressed or for the presence of a digital ON signal at terminal 5 (rotate right).
2. If a BOP or an AOP is fitted and the output frequency is selected to be displayed (P0005 = 21) the corresponding setpoint is displayed approximately every 1.0 seconds while the inverter is stopped.
3. The inverter is programmed at the factory for standard applications on Siemens four-pole standard motors that have the same power rating as the inverters. When using other motors it is necessary to enter the specifications from the motor's rating plate. See figure 3-5 for details on how to read motor data.

---

#### Notes

- ◆ Changing motor parameters is not possible unless P0010 = 1.
  - ◆ You must set P0010 back to 0 in order to initiate run.
- 

### 3.2.2 Basic operation with SDP

---

#### Prerequisites

- The terminals are connected like shown in Figure 3-2
- 

- ◆ Start and stop the motor via switch between terminals 5 and 8
- ◆ Reverse the motor via switch between terminals 6 and 8
- ◆ Control the motor speed by the potentiometer, connected to the terminals 1 to 4

### 3.2.3 Basic operation with the BOP

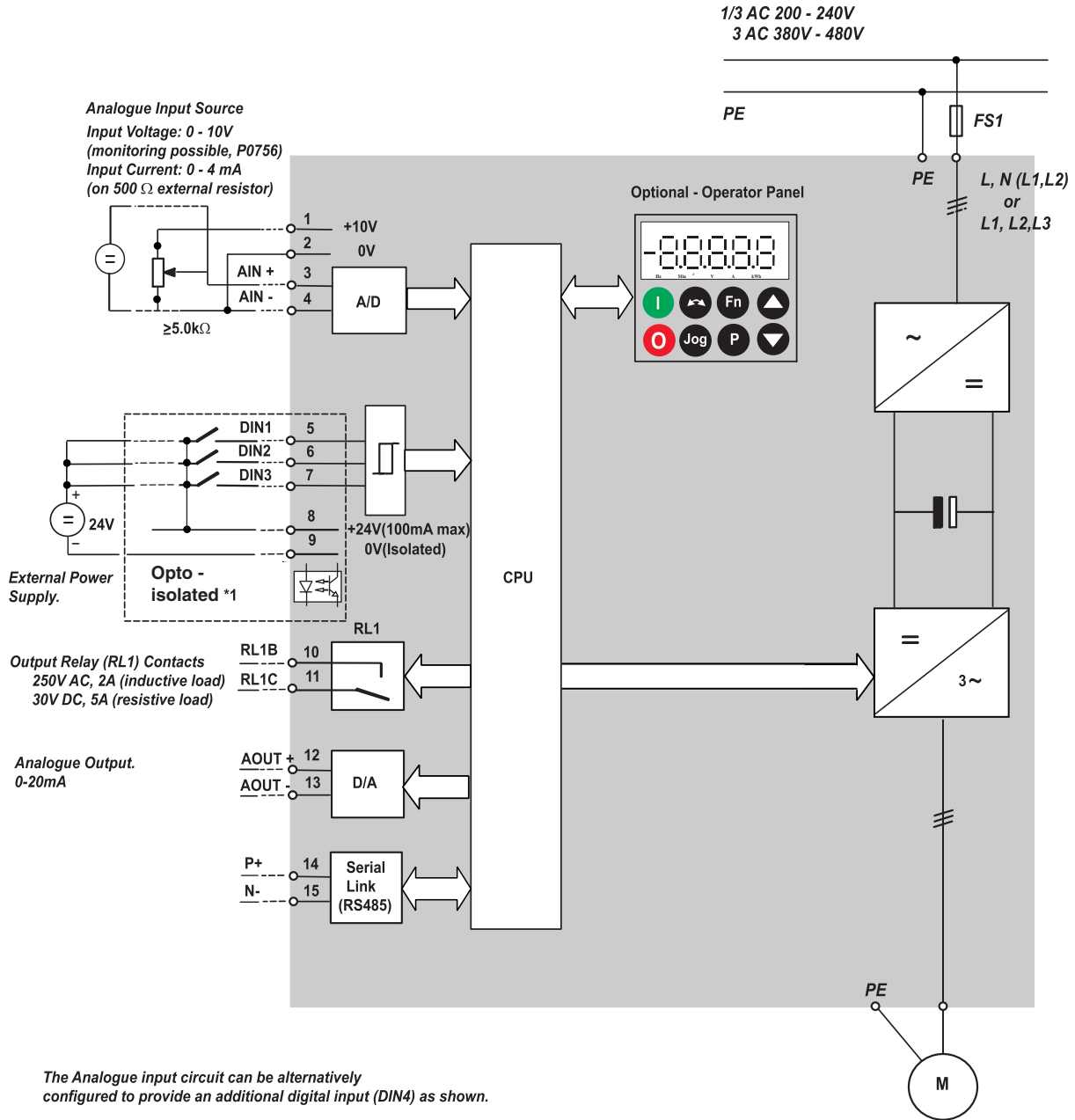
---

**Prerequisites**

- P0010 = 0 (in order to initiate the run command correctly).
  - P0700 = 1 (enables the start/stop button on the BOP).
  - P1000 = 1 (this enables the motor potentiometer setpoints).
- 

1. Press the green (RUN) Button to start the motor.
2. Press the 'UP' Button while the motor is turning. Motor speed increases to 50 Hz.
3. When the inverter reaches 50 Hz, press the 'DOWN' Button. Motor speed and display is decreased.
4. Change the direction of rotation with the FORWARD / REVERSE Button.
5. The red button STOPS the motor.

Block Diagram



The Analogue input circuit can be alternatively configured to provide an additional digital input (DIN4) as shown.

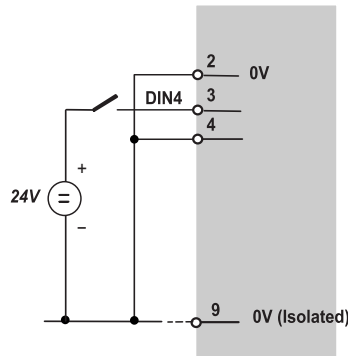


Figure 3-7 Inverter block diagram

# 4 Using the MICROMASTER 420

**This Chapter contains:**

- ◆ An explanation of the various methods of controlling your inverter

4.1 Frequency Setpoint..... 38

4.2 Command Sources (P0700) ..... 38

4.3 OFF and braking Functions ..... 39

4.4 Control Modes (P1300)..... 40

4.5 Faults and warnings..... 40




---

### Warnings

- ◆ When operating electrical devices, it is impossible to avoid applying hazardous voltages to certain parts of the equipment.
  - ◆ Emergency Stop facilities according to EN 60204 IEC 204 (VDE 0113) must remain operative in all operating modes of the control equipment. Any disengagement of the Emergency Stop facility must not lead to uncontrolled or undefined restart.
  - ◆ Wherever faults occurring in the control equipment can lead to substantial material damage or even grievous bodily injury (i.e. potentially dangerous faults), additional external precautions must be taken or facilities provided to ensure or enforce safe operation, even when a fault occurs (e.g. independent limit switches, mechanical interlocks, etc.).
  - ◆ MICROMASTERS operate at high voltages.
  - ◆ Certain parameter settings may cause the inverter to restart automatically after an input power failure.
  - ◆ This equipment is capable of providing internal motor overload protection in accordance with UL508C section 42. Refer to P0610 (level 3) and P0335. Motor overload protection can also be provided using an external PTC via a digital input.
  - ◆ This equipment is suitable for use in a circuit capable of delivering not more than 10,000 symmetrical amperes (rms), for a maximum voltage of 230/460V when protected by a time delay fuse (see *Table on Page 93*)
  - ◆ This equipment must not be used as an 'emergency stop mechanism' (see *EN 60204, 9.2.5.4*)
- 

## 4.1 Frequency Setpoint

- Standard: Terminal 3/4 (AIN+ / AIN -)
  - Options see P1000
- 

### Notes

For USS see Reference Manual, for PROFIBUS see Reference Manual and Profibus Instructions.

---

## 4.2 Command Sources (P0700)

### Notes

The **ramp times** and **ramp-smoothing** functions also affect how the motor starts and stops. For details of these functions, please refer to parameters P1120, P1121, P1130 – P1134 in the System Parameters on page 43.

---

### Starting the motor

- Standard Terminal 5 (DIN 1)
- Options see P0701 to P0704

### Stopping the motor

There are several ways to stop the motor:

- Standard
  - ◆ OFF1 Terminal 5 (DIN 1)
  - ◆ OFF2 Off button on BOP/AOP, pressing the Off button once long (two seconds) or twice (with default settings not possible without BOP/AOP)
  - ◆ OFF3 no standard setting
- Options see P0701 to P0704

**Reversing the motor**

- Standard Terminal 6 (DIN 2)
- Options see P0701 to P0704

**4.3 OFF and braking Functions****4.3.1 OFF1**

This command (produced by canceling the ON command) causes the inverter to come to a standstill at the selected ramp-down rate.

- Parameter to change ramp time see P1121

**Notes**

- ON and the following OFF1 command must have the same source.
- If the ON/OFF1 Command is set to more than one Digital input, only the last set Digital Input is number e.g. DIN3 is active.
- OFF1 can be combined with DC braking or Compound braking

**4.3.2 OFF2**

This command causes the motor to coast to a standstill.

**Note**

The OFF2 command can have one or more sources. By default the OFF2 command is set to BOP/AOP. This source still exists even if other sources are defined by one of the following parameters, P0701, P0702, P0703 and P0704.

**4.3.3 OFF3**

An OFF3 command causes the motor to decelerate rapidly.

For starting the motor when OFF3 is set, the binary input has to be closed (high). If OFF3 is high, the motor can be started and stopped by OFF1 or OFF2.

If OFF3 is low the motor cannot be started.

- ramp down time: see P1135

**Note**

OFF3 can be combined with DC braking or compound braking

**4.3.4 DC braking**

DC braking is possible together with OFF1 and OFF3. A DC current is applied to stop the motor quickly and hold the shaft stationary until the end of the braking period.

- set DC braking: see P0701 to P0704
- set braking period: see P1233
- set braking current: see P1232

**Note**

If no digital input is set to DC braking and P1233 ≠ 0, DC braking will be active after every OFF1 command.

### 4.3.5 Compound Braking

Compound Braking is possible with both OFF1 and OFF3. For Compound Braking a DC component is added to the AC current.

set the braking current: see P1236

## 4.4 Control Modes (P1300)

The various modes of operation of the MICROMASTER 420 control the relationship between the speed of the motor and the voltage supplied by the inverter. There are four modes of operation:

- **Linear V/f control**  
Can be used for variable and constant torque applications, such as conveyors and pumps.
- **Flux Current Control (FCC)**  
This control mode can be used to improve the efficiency and dynamic response of the motor.
- **Quadratic V/f control**  
This mode can be used for variable torque loads, such as fans and pumps.
- **Multi-point V/f control**  
For information regarding this mode of operation, please consult the MM420 Reference Manual.

## 4.5 Faults and warnings

### SDP fitted

If an SDP is fitted, the fault states and warnings are indicated by the two LEDs on the panel, see section 6.1 for further information.

### BOP fitted

If a BOP is fitted, the fault states and warnings listed in Section 6.3 for further information.



## 5 System Parameters

### This Chapter contains:

- ◆ A functional overview of the parameters available for customizing your MICROMASTER MM420 Inverter
- ◆ A detailed list of the parameters used (including value range and default setting)
- ◆ An in-depth description of what the parameter actually does

5.1	Overview of MICROMASTER System Parameters .....	42
5.2	Introduction to MICROMASTER System Parameters.....	43
5.3	System Parameters and Definitions .....	48

## 5.1 Overview of MICROMASTER System Parameters

### 5.1.1 Default setup

The MM420 is supplied with a Status Display Panel (SDP). To change parameters it is necessary to use a Basic Operator Panel (BOP), Advanced Operator Panel (AOP) or an external serial interface. The MM420 is therefore delivered with the following default settings:

- ◆ Motor Parameters to suit a Siemens 4 pole motor to match the drive power and voltage.
- ◆ Setpoint control from the Analog input; 0 – 10V corresponding to 0 to 50 Hz or 0 to 60 Hz (North America).
- ◆ Digital inputs:
  - DIN 1 Run right
  - DIN 2 Reverse
  - DIN 3 Fault Reset
- ◆ DIP switch 2
  - Off position: European defaults (50Hz, kW etc.)
  - On position: North American Defaults (60Hz, hp etc.). Refer to P0100 for further details.
- ◆ DIP switch 1 is not for customer use.
- ◆ Relay – Fault conditions.
- ◆ Analogue Output – Output frequency

### 5.1.2 Basic Operator Panel Function (Fn) Button

#### Use of Function button.

The Function button is used to view additional information. To view additional information the following actions should be performed:

From any parameter, press and hold the function button during operation.

1. The display will change to show the DC link voltage (indicated by d).
2. Press the function button again to show the output current (A).
3. Press the function button again to show the output frequency (Hz).
4. Press the function button again to show the output voltage (indicated by o).
5. Press the function button again to show the function that has been selected for display in P0005. (If P0005 is set to show any of the above (3,4, or 5) then this will not be shown again.)

---



#### Note



Additional presses will toggle around the above displays.

---

Press and hold the function button at any point in the cycle to display at any point in the cycle; the parameter number you started from (e.g. r0000) and release to return to that display.

## Scrolling Function






When the user is required to change a value of a parameter, the  button and the  button on the BOP are used to increase and decrease the value respectively.

When the user is required to change a value of a parameter, the  button and the  button on the BOP are used to increase and decrease the value respectively.

### Changing single digits in Parameter values

For changing the parameter value rapidly, the single digits of the display can be changed by performing the following actions:

Ensure you are in the parameter value changing level (see "Changing parameters with BOP").

1. Press  (function button), which causes the right hand digit to blink.
2. Change the value of this digit by pressing  / .
3. Press  (function button) again causes the next digit to blink.
4. Perform steps 2 to 4 until the required value is displayed.
5. Press the  to leave the parameter value changing level.

---

### Note

The function button may also be used to acknowledge a fault condition.

---

## Jump Function

From any parameter (rXXXX or PXXXX) a short press of the Fn button will immediately jump to r0000, you can then change another parameter, if required. Upon returning to r0000, pressing the Fn button will return you to your starting point.

## 5.2 Introduction to MICROMASTER System Parameters

**The parameters can only be changed by using the Basic Operator Panel (BOP), the Advance Operator Panel (AOP) or the Serial Interface.**

Parameters can be changed and set using the BOP to adjust the desired properties of the inverter, such as ramp times, minimum and maximum frequencies etc. The parameter numbers selected and the setting of the parameter values are indicated on the optional five-digit LCD display.

---

### Notes

- ◆ If you press the  $\Delta$  or  $\nabla$  button momentarily, the values change step by step. If you keep the buttons pressed for a longer time, the values scroll through rapidly.
- ◆ In the parameter tables:
  - ' $\rightarrow$ ' Parameters can only be changed during quick commissioning, e.g. if P0010 = 0.
  - '•' Indicates parameters that can be changed during operation.
  - '\*\*\*' Indicates that the value of this factory setting depends on the rating of the inverter.

All other parameters can only be changed when the inverter is stopped.
- ◆ Read only parameters are indicated with r instead of P.
- ◆ P0010 initiates "quick commissioning".
- ◆ The inverter will not run unless P0010 is set to 0 after it has been accessed. This function is automatically perform if P3900 > 0.
- ◆ P0004 acts as a filter, allowing access to parameters according to their functionality.
- ◆ If an attempt is made to change a parameter that cannot be changed in this status, for example, cannot be changed whilst running or can only be changed in quick commissioning, then    will be displayed.

◆ **Busy Message**

In some cases - when changing parameter values - the display on the BOP shows



for maximum of five seconds. This means the inverter is busy with tasks of higher priority.

### 5.2.1 Access Levels

There are four levels of user access, Standard, Extended, Expert and Service selectable by parameter P0003. For most applications, Standard and Extended parameters are sufficient.

The number of parameters that appear within each functional group depends on the access level set in parameter P0003. This document describes access levels 1 and 2 (standard and extended) other settings are describe in the Reference Manual.

### 5.2.2 Quick commissioning (P0010=1)

It is **important** that parameter P0010 is used for commissioning and P0003 is used to select the number of parameters to be accessed. This parameter allows a group of parameters to be selected that will enable quick commissioning. Parameters such as Motor settings and Ramp settings are included.

At the end of the quick commissioning sequence, P3900 should be selected, which, when set to 1, will carry out the necessary motor calculations and clear all other parameters (not included in P0010=1) to the default settings. This will only happen in the Quick Commissioning mode.

### 5.2.3 Reset to Factory default

To reset all parameters to the factory default settings; the following parameters should be set as follows:

1. Set P0010=30.
2. Set P0970=1.

---

**Note**

The reset process takes approximately 10 seconds to complete.

---

## 5.2.4 Parameter Overview Levels 1 and 2

The following is an overview of Level 1 and 2 parameters. For a complete description of all Level 1 and 2 parameters, see Section 5.3.

### Quick Commissioning P0010=1

P 0100	Europe / North America ↔
P 0300	Select motor type ↔
P 0304	Rated motor voltage ↔
P 0305	Rated motor current ↔
P 0307	Rated motor power ↔
P 0308	Rated motor cosPhi ↔
P 0309	Rated motor efficiency ↔
P 0310	Rated motor frequency ↔
P 0311	Rated motor speed ↔
P 0335	Motor cooling ↔
P 0640	Max. output current
P 0700	Command of PZD via
P 1000	Selection of frequency setpoint
P 1080	Min. frequency
P 1082	Max. frequency
P 1120	Ramp-up time
P 1121	Ramp-down time
P 1135	OFF3 Ramp-down time
P 1300	Control mode
P 3900	Quick parameterization ↔

### Inverter Unit P0004=2

P 0003	BOP/AOP read access level
P 0010	Drive commissioning
r 0018	Firmware version
r 0026	Act. DC-link voltage
r 0039	Power consumption [kWh]
P 0040	Reset power consumption
r 0206	Rated drive power
r 0207	Rated drive current
r 0208	Rated drive voltage
P 1800	Switching frequency
P 1820	Reverse output phase sequence

### Motor Data P0004=3

P 0003	BOP/AOP read access level
P 0010	Drive commissioning
r 0034	Motor utilization
P 0300	Select motor type ↔
P 0304	Rated motor voltage ↔
P 0305	Rated motor current ↔
P 0307	Rated motor power (kW or hp) ↔
P 0308	Rated motor cosPhi ↔
P 0309	Rated motor efficiency ↔
P 0310	Rated motor frequency ↔
P 0311	Rated motor speed ↔
P 0335	Motor cooling ↔
P 0340	Calc motor model and control
P 0350	Stator resistance phase-to-phase
P 0611	Motor I <sup>2</sup> t time constant
P 0614	Motor I <sup>2</sup> t overload warning level
P 0640	Max. output current
P 1910	Select motor data identification
r 1912	Identified stator resistance

### Commands and Digital I/O P0004=7

r 0002	Drive state
P 0003	BOP/AOP read access level
P 0010	Drive commissioning
r 0052	Statusword 1
r 0053	Statusword 2
P 0700	Command of PZD via
P 0701	Selection digital input1
P 0702	Selection digital input2
P 0703	Selection digital input3
P 0704	Selection digital input4
r 0722	Binary input values
P 0731	Binary output

**Analogue I/O P0004=8**

P	0003	BOP/AOP read access level
P	0010	Drive commissioning
r	0752	Analogue input in V
r	0754	Analogue output in %
r	0755	Act. ADC value normalized (4000h)
P	0756	Type of ADC
P	0757	Value x1 of ADC characteristic
P	0758	Value y1 of ADC characteristic
P	0759	Value x2 of ADC-characteristic
P	0760	Value y2 of ADC-characteristic
P	0761	Width of deadband
P	0771	DAC
r	0774	Analog output value
P	0777	Value x1 of DAC-characteristic
P	0778	Value y1 of DAC-characteristic
P	0779	Value x2 of DAC-characteristic
P	0780	Value y2 of DAC-characteristic
P	0781	Analogue output deadband

**Setpoint Channel & Ramp Generator P0004=10**

P	0003	BOP/AOP read access level
P	0010	Drive commissioning
P	1000	Selection of frequency setpoint
P	1001	Fixed frequency 1
P	1002	Fixed frequency 2
P	1003	Fixed frequency 3
P	1004	Fixed frequency 4
P	1005	Fixed frequency 5
P	1006	Fixed frequency 6
P	1007	Fixed frequency 7
P	1031	Setpoint memory of the MOP
P	1040	Setpoint of the MOP
P	1058	JOG frequency right
P	1059	JOG frequency left
P	1060	JOG ramp-up time
P	1061	JOG ramp-down time
P	1080	Min. frequency
P	1082	Max. frequency
P	1120	Ramp-up time
P	1121	Ramp-down time
P	1130	Initial rounding time for ramp-up
P	1131	Final rounding time for ramp-up
P	1132	Initial rounding time for ramp-down
P	1133	Final rounding time for ramp-down
P	1134	Rounding type

**Drive Features P0004=12**

P	0003	BOP/AOP read access level
P	0004	Parameter for r0000 display
P	0010	Drive commissioning
P	1200	Start on the fly
P	1210	Automatic restart
P	1215	Mode of the MHB
P	1216	Opentime of the MHB
P	1217	Closetime of the MHB
P	1232	Current of DC braking
P	1233	Duration of DC braking
P	1236	Compound braking current

**Motor Control P0004=13**

P	0003	BOP/AOP read access level
P	0010	Drive commissioning
r	0021	Act. frequency
r	0025	Act. output voltage
r	0027	Act. output current
r	0056	Statusword 1 for V/F and VC
P	1300	Control mode
P	1310	Continuous boost
P	1311	Acceleration boost
P	1312	Starting boost
P	1333	Start frequency for FCC
P	1335	Slip compensation gain
P	1336	Slip limit

**Communication P0010=20**

P	0003	BOP/AOP read access level
P	0010	Drive commissioning
P	0918	CB bus address
P	0927	Parameters changeable via
P	2000	Reference frequency
P	2010	USS baud rate
P	2011	USS address

**Alarms, Warnings & Monitoring P0010=21**

P	0003	BOP/AOP read access level
P	0010	Drive commissioning
r	0947	Fault number
r	2110	Warning number
r	2197	Statusword 1 of monitor

**PI Controller P0004=22**

P	0003	BOP/AOP read access level
P	0010	Drive commissioning
P	2200	Enable PI controller
P	2201	Fixed setpoint 1
P	2202	Fixed setpoint 2
P	2203	Fixed setpoint 3
P	2204	Fixed setpoint 4
P	2205	Fixed setpoint 5
P	2206	Fixed setpoint 6
P	2207	Fixed setpoint 7
r	2224	Connector: fixed PI setpoint
P	2231	Setpoint memory of the MOP
P	2232	Inhibit keypad setpoint reverse direction
P	2240	Setpoint of the MOP
r	2250	Active digital PI output setpoint
P	2253	Source: PI setpoint
P	2257	Acceleration time for PI setpoint
P	2258	Deceleration time for PI setpoint
r	2260	PI setpoint
P	2264	PI feedback
P	2265	PI feedback filter time constant
r	2266	PI feedback
P	2271	PI transducer type
P	2272	Connector: PI scaled feedback signal
r	2273	PI error
P	2280	PI proportional gain
P	2285	PI integral time
P	2291	PI upper limit
P	2292	PI output lower limit
r	2294	PI output

**Factory settings P0010=30**

P	0003	BOP/AOP read access level
P	0010	Drive commissioning
P	0970	Factory settings

### 5.3 System Parameters and Definitions

Parameter Number	Parameter Name	Min Max [Default] Units	◆P0003 User Access Level ◆P0004 Setting ◆Changeable ◆Status
r0000	<b>Drive Display</b>	-	1
	<p>Displays the user selected output as defined in P0005.</p> <p><b>Note:</b> Pressing the “Fn” button for 2 seconds allows the user to view the values of DC link voltage, output current, output frequency, output voltage, and chosen r0000 setting (defined in P0005).</p>	[-] -	7
r0002	<b>Drive State</b>	0	2
	<p>Displays the actual drive state.</p> <p><b>Possible values:</b></p> <p>0 “Commissioning Mode– (P0010 ≠ 0)”                      1 “Ready to Run”                      2 “Fault”                      3 “Starting – DC Link Precharging”                      4 “Running”                      5 “Stopping – (ramping down)”</p> <p><b>Note:</b> State 3 will only be visible while precharging DC Link and when externally powered communications board is fitted.</p>	5 [-] -	7
P0003	<b>User access level</b>	0	1
	<p>Defines the access level into parameter sets. For most simple applications the default (standard) setting is sufficient.</p> <p><b>Possible Settings:</b></p> <p>0 “User defined parameter list – see P0013 (Level 3) for details on use”                      1 “Standard”: allows access into most frequently used parameters                      2 “Extended”: allows extended access to inverter I/O functions                      3 “Expert”: for expert use only.                      4 “Service”: only for use by authorized service personnel –password protected.</p>	4 [1] -	All '



Parameter Number	Parameter Name	Min Max [Default] Units	◆P0003 User Access Level ◆P0004 Setting ◆Changeable ◆Status
P0004	<p><b>Parameter Filter</b></p> <p>Filters the available parameters by functionality so that a more focussed commissioning approach is possible. For example, with P0004=22, only the PI parameters will be visible.</p> <p><b>Possible Settings:</b></p> <ul style="list-style-type: none"> <li>0 "All parameters"</li> <li>2 "Inverter"</li> <li>3 "Motor"</li> <li>7 "Commands &amp; digital I/O"</li> <li>8 "Analogue I/O"</li> <li>10 "Setpoint channel &amp; ramp generator"</li> <li>12 "Drive features"</li> <li>13 "Motor control"</li> <li>20 "Communication"</li> <li>21 "Alarms, warnings &amp; monitoring"</li> <li>22 "PI Controller"</li> </ul> <p><b>Note:</b></p> <p>It is possible to start the inverter with any setting of P0004.</p> <p>Some parameters are "Commissioning only" parameters and can be viewed within this "filter" parameter, but these can only be set using P0010=1 (Quick Commissioning). These parameters are defined with the key symbol '↔' in the right hand column.</p>	0 22 [0] -	1 All '↔'
P0005	<p><b>Display selection</b></p> <p>Selects display for parameter r0000</p> <p><b>Most common settings:</b></p> <ul style="list-style-type: none"> <li>21 Actual frequency</li> <li>25 Output voltage</li> <li>26 DC link voltage</li> <li>27 Output current</li> </ul> <p><b>Note:</b></p> <p>The settings here refer to read only parameter numbers. Please see the appropriate "rXXXX" parameter descriptions for further details.</p>	0 4000 [0] -	2 12 '↔'
P0010	<p><b>Parameter groups for commissioning</b></p> <p>This setting allows the parameters to be filtered so that only those related to a group of functions are selected, as shown in the table below.</p> <p><b>Possible settings:</b></p> <ul style="list-style-type: none"> <li>0 Ready to Run</li> <li>1 Quick Commissioning</li> <li>30 Factory setting</li> </ul> <p><b>Notes:</b></p> <ul style="list-style-type: none"> <li>1 <b>This parameter must be reset to 0 before the inverter will run (Automatic when P3900 ≠ 0 (default)).</b></li> <li>2 The accessible parameters are also affected by the User Access Level parameter (P0003).</li> </ul>	0 30 [0] -	1 All

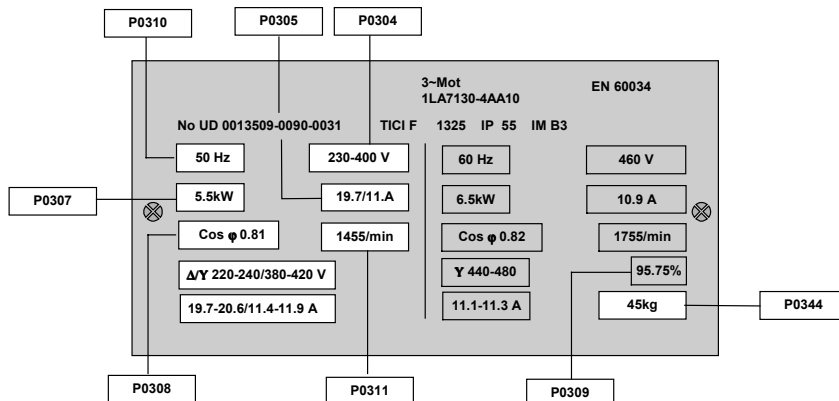
Parameter Number	Parameter Name	Min Max [Default] Units	◆P0003 User Access Level ◆P0004 Setting ◆Changeable ◆Status
r0018	<b>Firmware version</b>  Displays the version number of the installed firmware.	- - [0] -	1 2
r0021	<b>Inverter output frequency (excluding slip compensation)</b>	- - [-] Hz	2 13
r0025	<b>Inverter output voltage</b>  Displays the rms., voltage applied to the motor.	- - [-] V	2 13
r0026	<b>DC-Link voltage</b>	- - [-] V	2 2
r0027	<b>Motor current</b>  Displays the rms. value of the motor current (A)	- - [-] A	2 13
r0034	<b>Motor thermal protection (I<sup>2</sup>t)</b>  Displays the calculated motor temperature as a percentage of the maximum allowed value.  <b>Note:</b> A value of 100% means that the motor has reached its maximum allowed operating temperature. When this occurs the inverter will attempt to reduce the motor loading as defined by parameter P0610 (Level 3).	- - [-] %	2 3
r0039	<b>Energy consumption meter [kWhours]</b>  Displays the electrical energy used by the drive since the display was last reset (see P0040)  <b>Note:</b> Value will get reset when P3900=1 (during quick commissioning), or when P0970=1 (factory reset) or by using P0040.	0 - [0] kWhours	2 2
P0040	<b>Reset energy consumption [kWh] meter</b>  Resets energy consumption display to zero.  <b>Possible Settings:</b>  0 = No reset 1 = Reset r0039 to 0  <b>Note:</b> Reset occurs when "P" is pressed.	0 1 [0] -	2 2

Parameter Number	Parameter Name	Min Max [Default] Units	◆P0003 User Access Level ◆P0004 Setting ◆Changeable ◆Status																																																																																																																																
r0052	<p><b>Status word 1</b></p> <p>This parameter displays the first active status word of the inverter (bit format) and can be used to diagnose inverter status. A description of the Status word display segments is given in the Parameter Introduction and can be interpreted as follows.</p> <p><b>Possible values:</b></p> <table border="0"> <tr> <td>Bit 0</td> <td>Drive ready</td> <td>0</td> <td>NO</td> </tr> <tr> <td></td> <td></td> <td>1</td> <td>YES</td> </tr> <tr> <td>Bit 1</td> <td>Drive ready to run</td> <td>0</td> <td>NO</td> </tr> <tr> <td></td> <td></td> <td>1</td> <td>YES</td> </tr> <tr> <td>Bit 2</td> <td>Drive running</td> <td>0</td> <td>NO</td> </tr> <tr> <td></td> <td></td> <td>1</td> <td>YES</td> </tr> <tr> <td>Bit 3</td> <td>Drive fault active</td> <td>0</td> <td>YES</td> </tr> <tr> <td></td> <td></td> <td>1</td> <td>NO</td> </tr> <tr> <td>Bit 4</td> <td>OFF2 active</td> <td>0</td> <td>YES</td> </tr> <tr> <td></td> <td></td> <td>1</td> <td>NO</td> </tr> <tr> <td>Bit 5</td> <td>OFF3 active</td> <td>0</td> <td>YES</td> </tr> <tr> <td></td> <td></td> <td>1</td> <td>NO</td> </tr> <tr> <td>Bit 6</td> <td>Switch on inhibit active</td> <td>0</td> <td>NO</td> </tr> <tr> <td></td> <td></td> <td>1</td> <td>YES</td> </tr> <tr> <td>Bit 7</td> <td>Drive warning active</td> <td>0</td> <td>NO</td> </tr> <tr> <td></td> <td></td> <td>1</td> <td>YES</td> </tr> <tr> <td>Bit 8</td> <td>Deviation setpoint/actual value</td> <td>0</td> <td>YES</td> </tr> <tr> <td></td> <td></td> <td>1</td> <td>NO</td> </tr> <tr> <td>Bit 9</td> <td>PZD control (Process Data Control)</td> <td>0</td> <td>NO</td> </tr> <tr> <td></td> <td></td> <td>1</td> <td>YES</td> </tr> <tr> <td>Bit A</td> <td>Maximum frequency reached</td> <td>0</td> <td>NO</td> </tr> <tr> <td></td> <td></td> <td>1</td> <td>YES</td> </tr> <tr> <td>Bit b</td> <td>Warning: Motor current limit</td> <td>0</td> <td>YES</td> </tr> <tr> <td></td> <td></td> <td>1</td> <td>NO</td> </tr> <tr> <td>Bit C</td> <td>Motor holding brake active</td> <td>0</td> <td>YES</td> </tr> <tr> <td></td> <td></td> <td>1</td> <td>NO</td> </tr> <tr> <td>Bit d</td> <td>Motor overload</td> <td>0</td> <td>YES</td> </tr> <tr> <td></td> <td></td> <td>1</td> <td>NO</td> </tr> <tr> <td>Bit E</td> <td>Motor running direction right</td> <td>0</td> <td>NO</td> </tr> <tr> <td></td> <td></td> <td>1</td> <td>YES</td> </tr> <tr> <td>Bit F</td> <td>Inverter overload</td> <td>0</td> <td>YES</td> </tr> <tr> <td></td> <td></td> <td>1</td> <td>NO</td> </tr> </table>	Bit 0	Drive ready	0	NO			1	YES	Bit 1	Drive ready to run	0	NO			1	YES	Bit 2	Drive running	0	NO			1	YES	Bit 3	Drive fault active	0	YES			1	NO	Bit 4	OFF2 active	0	YES			1	NO	Bit 5	OFF3 active	0	YES			1	NO	Bit 6	Switch on inhibit active	0	NO			1	YES	Bit 7	Drive warning active	0	NO			1	YES	Bit 8	Deviation setpoint/actual value	0	YES			1	NO	Bit 9	PZD control (Process Data Control)	0	NO			1	YES	Bit A	Maximum frequency reached	0	NO			1	YES	Bit b	Warning: Motor current limit	0	YES			1	NO	Bit C	Motor holding brake active	0	YES			1	NO	Bit d	Motor overload	0	YES			1	NO	Bit E	Motor running direction right	0	NO			1	YES	Bit F	Inverter overload	0	YES			1	NO	<p>-</p> <p>-</p> <p>[-]</p> <p>-</p>	<p>2</p> <p>7</p>
Bit 0	Drive ready	0	NO																																																																																																																																
		1	YES																																																																																																																																
Bit 1	Drive ready to run	0	NO																																																																																																																																
		1	YES																																																																																																																																
Bit 2	Drive running	0	NO																																																																																																																																
		1	YES																																																																																																																																
Bit 3	Drive fault active	0	YES																																																																																																																																
		1	NO																																																																																																																																
Bit 4	OFF2 active	0	YES																																																																																																																																
		1	NO																																																																																																																																
Bit 5	OFF3 active	0	YES																																																																																																																																
		1	NO																																																																																																																																
Bit 6	Switch on inhibit active	0	NO																																																																																																																																
		1	YES																																																																																																																																
Bit 7	Drive warning active	0	NO																																																																																																																																
		1	YES																																																																																																																																
Bit 8	Deviation setpoint/actual value	0	YES																																																																																																																																
		1	NO																																																																																																																																
Bit 9	PZD control (Process Data Control)	0	NO																																																																																																																																
		1	YES																																																																																																																																
Bit A	Maximum frequency reached	0	NO																																																																																																																																
		1	YES																																																																																																																																
Bit b	Warning: Motor current limit	0	YES																																																																																																																																
		1	NO																																																																																																																																
Bit C	Motor holding brake active	0	YES																																																																																																																																
		1	NO																																																																																																																																
Bit d	Motor overload	0	YES																																																																																																																																
		1	NO																																																																																																																																
Bit E	Motor running direction right	0	NO																																																																																																																																
		1	YES																																																																																																																																
Bit F	Inverter overload	0	YES																																																																																																																																
		1	NO																																																																																																																																

Parameter Number	Parameter Name	Min Max [Default] Units	◆P0003 User Access Level ◆P0004 Setting ◆Changeable ◆Status																																																																																																
r0053	<p><b>Status word 2</b></p> <p>This parameter displays the second status word of the inverter (in bit format). It can be used to diagnose the status of the inverter by referring to the information given in the Introduction.</p> <p><b>Possible values:</b></p> <table border="0"> <tr> <td>Bit 0</td> <td>DC brake active</td> <td>0</td> <td>NO</td> </tr> <tr> <td></td> <td></td> <td>1</td> <td>YES</td> </tr> <tr> <td>Bit 1</td> <td>Inverter frequency &lt; switch off limit</td> <td>0</td> <td>YES</td> </tr> <tr> <td></td> <td></td> <td>1</td> <td>NO</td> </tr> <tr> <td>Bit 2</td> <td>Inverter frequency &lt; minimum frequency</td> <td>0</td> <td>YES</td> </tr> <tr> <td></td> <td></td> <td>1</td> <td>NO</td> </tr> <tr> <td>Bit 3</td> <td>Current ≥ limit</td> <td>0</td> <td>NO</td> </tr> <tr> <td></td> <td></td> <td>1</td> <td>YES</td> </tr> <tr> <td>Bit 4</td> <td>Actual frequency &gt; reference frequency</td> <td>0</td> <td>NO</td> </tr> <tr> <td></td> <td></td> <td>1</td> <td>YES</td> </tr> <tr> <td>Bit 5</td> <td>Actual frequency &lt; reference frequency</td> <td>0</td> <td>NO</td> </tr> <tr> <td></td> <td></td> <td>1</td> <td>YES</td> </tr> <tr> <td>Bit 6</td> <td>Actual frequency ≥ setpoint</td> <td>0</td> <td>NO</td> </tr> <tr> <td></td> <td></td> <td>1</td> <td>YES</td> </tr> <tr> <td>Bit 7</td> <td>Voltage &lt; threshold</td> <td>0</td> <td>NO</td> </tr> <tr> <td></td> <td></td> <td>1</td> <td>YES</td> </tr> <tr> <td>Bit 8</td> <td>Voltage &gt; threshold</td> <td>0</td> <td>NO</td> </tr> <tr> <td></td> <td></td> <td>1</td> <td>YES</td> </tr> <tr> <td>Bit 9</td> <td>reserve</td> <td>0</td> <td>NO</td> </tr> <tr> <td></td> <td></td> <td>1</td> <td>YES</td> </tr> <tr> <td>Bit A</td> <td>PI frequency &lt; threshold</td> <td>0</td> <td>NO</td> </tr> <tr> <td></td> <td></td> <td>1</td> <td>YES</td> </tr> <tr> <td>Bit b</td> <td>PI saturation</td> <td>0</td> <td>NO</td> </tr> <tr> <td></td> <td></td> <td>1</td> <td>YES</td> </tr> </table>	Bit 0	DC brake active	0	NO			1	YES	Bit 1	Inverter frequency < switch off limit	0	YES			1	NO	Bit 2	Inverter frequency < minimum frequency	0	YES			1	NO	Bit 3	Current ≥ limit	0	NO			1	YES	Bit 4	Actual frequency > reference frequency	0	NO			1	YES	Bit 5	Actual frequency < reference frequency	0	NO			1	YES	Bit 6	Actual frequency ≥ setpoint	0	NO			1	YES	Bit 7	Voltage < threshold	0	NO			1	YES	Bit 8	Voltage > threshold	0	NO			1	YES	Bit 9	reserve	0	NO			1	YES	Bit A	PI frequency < threshold	0	NO			1	YES	Bit b	PI saturation	0	NO			1	YES	<p>-</p> <p>-</p> <p>[-]</p> <p>-</p>	<p>2</p> <p>7</p>
Bit 0	DC brake active	0	NO																																																																																																
		1	YES																																																																																																
Bit 1	Inverter frequency < switch off limit	0	YES																																																																																																
		1	NO																																																																																																
Bit 2	Inverter frequency < minimum frequency	0	YES																																																																																																
		1	NO																																																																																																
Bit 3	Current ≥ limit	0	NO																																																																																																
		1	YES																																																																																																
Bit 4	Actual frequency > reference frequency	0	NO																																																																																																
		1	YES																																																																																																
Bit 5	Actual frequency < reference frequency	0	NO																																																																																																
		1	YES																																																																																																
Bit 6	Actual frequency ≥ setpoint	0	NO																																																																																																
		1	YES																																																																																																
Bit 7	Voltage < threshold	0	NO																																																																																																
		1	YES																																																																																																
Bit 8	Voltage > threshold	0	NO																																																																																																
		1	YES																																																																																																
Bit 9	reserve	0	NO																																																																																																
		1	YES																																																																																																
Bit A	PI frequency < threshold	0	NO																																																																																																
		1	YES																																																																																																
Bit b	PI saturation	0	NO																																																																																																
		1	YES																																																																																																

Parameter Number	Parameter Name	Min Max [Default] Units	◆P0003 User Access Level ◆P0004 Setting ◆Changeable ◆Status																																																																																																																
r0056	<p><b>Status word 1 for V/F</b></p> <p>Displays Statusword (V/f) in bit format, which can be used to diagnose inverter status. Refer to diagram in r0052 for display layout.</p> <p><b>Possible values:</b></p> <table border="0"> <tr> <td>Bit 0</td> <td>Initialization control finished</td> <td>0</td> <td>NO</td> </tr> <tr> <td></td> <td></td> <td>1</td> <td>YES</td> </tr> <tr> <td>Bit 1</td> <td>Motor demagnetizing finished</td> <td>0</td> <td>NO</td> </tr> <tr> <td></td> <td></td> <td>1</td> <td>YES</td> </tr> <tr> <td>Bit 2</td> <td>Pulses enabled</td> <td>0</td> <td>NO</td> </tr> <tr> <td></td> <td></td> <td>1</td> <td>YES</td> </tr> <tr> <td>Bit 3</td> <td>Voltage soft start select</td> <td>0</td> <td>NO</td> </tr> <tr> <td></td> <td></td> <td>1</td> <td>YES</td> </tr> <tr> <td>Bit 4</td> <td>Motor excitation finished</td> <td>0</td> <td>NO</td> </tr> <tr> <td></td> <td></td> <td>1</td> <td>YES</td> </tr> <tr> <td>Bit 5</td> <td>Starting boost active</td> <td>0</td> <td>NO</td> </tr> <tr> <td></td> <td></td> <td>1</td> <td>YES</td> </tr> <tr> <td>Bit 6</td> <td>Acceleration boost active</td> <td>0</td> <td>NO</td> </tr> <tr> <td></td> <td></td> <td>1</td> <td>YES</td> </tr> <tr> <td>Bit 7</td> <td>Frequency is negative</td> <td>0</td> <td>NO</td> </tr> <tr> <td></td> <td></td> <td>1</td> <td>YES</td> </tr> <tr> <td>Bit 8</td> <td>Field weakening active</td> <td>0</td> <td>NO</td> </tr> <tr> <td></td> <td></td> <td>1</td> <td>YES</td> </tr> <tr> <td>Bit 9</td> <td>Volts setpoint limited</td> <td>0</td> <td>NO</td> </tr> <tr> <td></td> <td></td> <td>1</td> <td>YES</td> </tr> <tr> <td>Bit A</td> <td>Slip frequency limited</td> <td>0</td> <td>NO</td> </tr> <tr> <td></td> <td></td> <td>1</td> <td>YES</td> </tr> <tr> <td>Bit b</td> <td>I-max controller active</td> <td>0</td> <td>NO</td> </tr> <tr> <td></td> <td></td> <td>1</td> <td>YES</td> </tr> <tr> <td>Bit C</td> <td>Vdc-max controller active</td> <td>0</td> <td>NO</td> </tr> <tr> <td></td> <td></td> <td>1</td> <td>YES</td> </tr> <tr> <td>Bit F</td> <td>Vdc-min controller active</td> <td>0</td> <td>NO</td> </tr> <tr> <td></td> <td></td> <td>1</td> <td>YES</td> </tr> </table>	Bit 0	Initialization control finished	0	NO			1	YES	Bit 1	Motor demagnetizing finished	0	NO			1	YES	Bit 2	Pulses enabled	0	NO			1	YES	Bit 3	Voltage soft start select	0	NO			1	YES	Bit 4	Motor excitation finished	0	NO			1	YES	Bit 5	Starting boost active	0	NO			1	YES	Bit 6	Acceleration boost active	0	NO			1	YES	Bit 7	Frequency is negative	0	NO			1	YES	Bit 8	Field weakening active	0	NO			1	YES	Bit 9	Volts setpoint limited	0	NO			1	YES	Bit A	Slip frequency limited	0	NO			1	YES	Bit b	I-max controller active	0	NO			1	YES	Bit C	Vdc-max controller active	0	NO			1	YES	Bit F	Vdc-min controller active	0	NO			1	YES	- - [-] -	2 13
Bit 0	Initialization control finished	0	NO																																																																																																																
		1	YES																																																																																																																
Bit 1	Motor demagnetizing finished	0	NO																																																																																																																
		1	YES																																																																																																																
Bit 2	Pulses enabled	0	NO																																																																																																																
		1	YES																																																																																																																
Bit 3	Voltage soft start select	0	NO																																																																																																																
		1	YES																																																																																																																
Bit 4	Motor excitation finished	0	NO																																																																																																																
		1	YES																																																																																																																
Bit 5	Starting boost active	0	NO																																																																																																																
		1	YES																																																																																																																
Bit 6	Acceleration boost active	0	NO																																																																																																																
		1	YES																																																																																																																
Bit 7	Frequency is negative	0	NO																																																																																																																
		1	YES																																																																																																																
Bit 8	Field weakening active	0	NO																																																																																																																
		1	YES																																																																																																																
Bit 9	Volts setpoint limited	0	NO																																																																																																																
		1	YES																																																																																																																
Bit A	Slip frequency limited	0	NO																																																																																																																
		1	YES																																																																																																																
Bit b	I-max controller active	0	NO																																																																																																																
		1	YES																																																																																																																
Bit C	Vdc-max controller active	0	NO																																																																																																																
		1	YES																																																																																																																
Bit F	Vdc-min controller active	0	NO																																																																																																																
		1	YES																																																																																																																
P0100	<p><b>Operation for Europe / North America</b></p> <p>Determines whether power settings (e.g. nominal rating plate power – P0307) are expressed in kW or hp. The default settings for the nominal rating plate frequency (P0310) and maximum motor frequency (P1082) are also set automatically here, in addition to reference frequency (P2000).</p> <p><b>Possible settings:</b></p> <table border="0"> <tr> <td>0</td> <td>=</td> <td>Power settings in kW; frequency default 50 Hz (Use DIP Switch 2).</td> </tr> <tr> <td>1</td> <td>=</td> <td>Power settings in hp; frequency default 60 Hz (Use DIP Switch 2)</td> </tr> <tr> <td>2</td> <td>=</td> <td>Power settings in kW; frequency default 60 Hz</td> </tr> </table> <p><b>Warning:</b> THE SETTING OF THE kW / HP DIP SWITCH UNDER THE OPERATOR PANEL WILL OVERWRITE SETTINGS 0 OR 1 AT POWER-UP. Setting 2 will not be overwritten.</p> <p><b>Note:</b> This parameter can only be changed when P0010=1 (Commissioning Mode).</p>	0	=	Power settings in kW; frequency default 50 Hz (Use DIP Switch 2).	1	=	Power settings in hp; frequency default 60 Hz (Use DIP Switch 2)	2	=	Power settings in kW; frequency default 60 Hz	0 2 [0] -	1 1 '8'																																																																																																							
0	=	Power settings in kW; frequency default 50 Hz (Use DIP Switch 2).																																																																																																																	
1	=	Power settings in hp; frequency default 60 Hz (Use DIP Switch 2)																																																																																																																	
2	=	Power settings in kW; frequency default 60 Hz																																																																																																																	
r0206	<p><b>Inverter power rating</b></p> <p>Displays the nominal motor power rating, which can be supplied by the inverter.</p> <p><b>Note:</b> The display will be in kW or hp dependent on the setting of P0100</p>	- - [-] -	2 2																																																																																																																

Parameter Number	Parameter Name	Min Max [Default] Units	◆P0003 User Access Level ◆P0004 Setting ◆Changeable ◆Status
r0207	<b>Inverter current rating</b>	-	2
	Displays the maximum continuous output current of the inverter.	- [-] A	2
r0208	<b>Nominal inverter input voltage</b>	-	2
	Displays nominal AC supply voltage of the inverter.  <b>Possible values:</b>  230 = 200-240V ± 10% 400 = 400-480V ± 10%	- [-] V	2
P0300	<b>Select motor type</b>	1	2
	Selects motor type.  <b>Possible settings:</b> 1 = Asynchronous motor. 2 = Synchronous motor.  <b>Note 1:</b> This parameter can only be changed when P0010=1  This parameter is required during commissioning to select motor type and optimize inverter performance. Most motors are asynchronous; if in doubt, use the formula below.  (P0310 x 60) / P0311 If the result is a whole number, the motor is synchronous.  <b>Note 2:</b> If synchronous motor is selected, the following functions are not available: Power Factor (P0308), Motor efficiency (P0309), magnetization time (P0346, Level 3), demagnetization time (P0347, Level 3), flying restart (P1200, P1202, Level 3, P1203, Level 3), DC braking (P1230, Level 3, P1232, P1233), slip compensation (P1335), slip limit (P1336).	2 3 [1] -	3 '←'
P0304	<b>Rated motor voltage</b>	10	1
	Nominal motor voltage (V) from rating plate.  Following diagram show you where to find the motor data from your motor.	2000 [***] V	3 '←'



**Note:**  
This parameter can only be changed when P0010=1.

Parameter Number	Parameter Name	Min Max [Default] Units	◆P0003 User Access Level ◆P0004 Setting ◆Changeable ◆Status
P0305	<b>Rated motor current</b>	0.12 10000 [***] A	1 3 '↔'
	Nominal motor current (A) from rating plate – see diagram P0304  <b>Note:</b> This parameter can only be changed when P0010=1  Maximum value is defined as 2 * inverter rated current (r0207) Minimum value is defined as 1/32 * inverter rated current (r0207)		
P0307	<b>Rated motor power</b>	0.01 2000 [***] -	1 3 '↔'
	Nominal motor power (kW) from rating plate. If P0100 = 1, values will be in hp - see diagram P0304  <b>Note:</b> This parameter can only be changed when P0010=1		
P0308	<b>Rated motor cos <math>\phi</math></b>	0 1 [0] -	2 3 '↔'
	Nominal motor power factor (cos $\phi$ ) from rating plate - see diagram P0304  <b>Note:</b> This parameter can only be changed when P0010=1  This parameter is only visible when P0100 = 0 or 2, i.e. when the motor power is entered in kW.  <b>Note:</b> A setting of 0 will cause the value to be calculated internally.		
P0309	<b>Rated motor efficiency</b>	0 100 [0] %	2 3 '↔'
	Nominal motor efficiency (%) from rating plate - see diagram P0304.  <b>Note:</b> This parameter can only be changed when P0010=1  This parameter is only visible when P0100 = 1, i.e. when the motor power is entered in hp.  <b>Note:</b> A setting of 0 will cause the value to be calculated internally.		
P0310	<b>Rated motor frequency</b>	12 650 [50] Hz	1 3 '↔'
	Nominal motor frequency (Hz) from rating plate - see diagram P0304		

Parameter Number	Parameter Name	Min Max [Default] Units	◆P0003 User Access Level ◆P0004 Setting ◆Changeable ◆Status
P0311	<p><b>Rated motor speed</b></p> <p><b>Note 1:</b> Nominal motor speed (rpm) from rating plate - see diagram P0304</p> <p><b>Note 2:</b> This parameter can only be changed when P0010=1</p> <p><b>Note 3:</b> This parameter must be correct for slip compensation to function properly.</p> <p><b>Note 4:</b> A setting of 0 will cause the value to be calculated internally.</p>	0 40000 [***] 1/min	1 3 '8'
P0335	<p><b>Motor cooling</b></p> <p>Specifies motor cooling system used</p> <p><b>Possible settings:</b></p> <p>0 self-cooled – using shaft mounted fan attached to motor 1 force-cooled – using separately powered cooling fan</p>	0 1 [0] -	2 3
P0340	<p><b>Calculation of motor parameters</b></p> <p><b>Possible settings:</b></p> <p>0 "No calculation" 1 "Calculation of motor parameters from entered rating plate data"</p> <p>Calculates a variety of motor parameters, including P0344 (Level 3) (motor weight), P0350 (stator resistance), P0346 (Level 3) (magnetization time) and P0347 (Level 3) (demagnetization time), P2000 (reference frequency), P2002 (Level 3) (reference current).</p> <p><b>Note</b> This parameter is required during commissioning to optimize the inverter performance.</p>	0 1 [0] -	2 3
P0350	<p><b>Stator resistance line-to-line</b></p> <p>Stator resistance value in Ohms for the connected motor. There are three methods to determine the value for this parameter:</p> <ol style="list-style-type: none"> <li>1. It is possible to calculate this value using P0340 = 1</li> <li>2. It is possible to measure this value using P1910 = 1</li> <li>3. Manual measurement using an Ohmmeter.</li> </ol> <p><b>Note</b> The value entered in P0350 is the one from the method last used.</p>	0 300 [***] Ohm	2 3 '•'
P0611	<p><b>Motor I<sup>2</sup>t time constant</b></p> <p>Defines motor thermal time constant and is automatically calculated from the motor data (P0340).</p> <p><b>Note:</b> Larger number increases time taken for calculated motor temperature to change.</p>	0 16000 [***] s	2 3



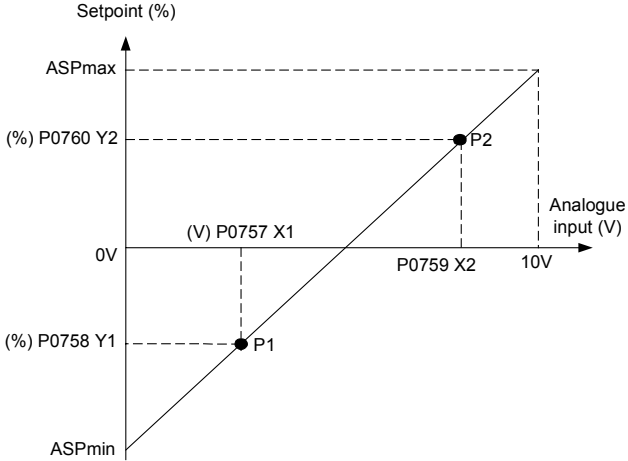
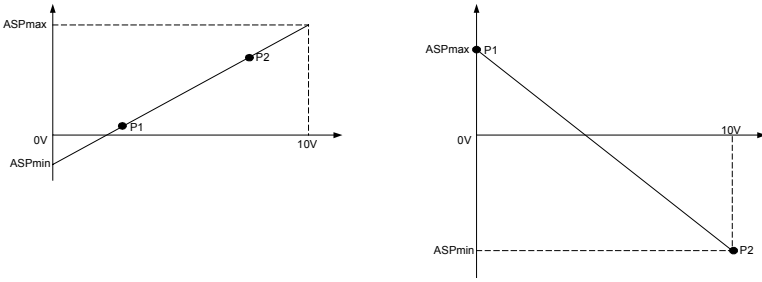
Parameter Number	Parameter Name	Min Max [Default] Units	◆P0003 User Access Level ◆P0004 Setting ◆Changeable ◆Status
P0614	<p><b>Motor I<sup>2</sup>t overload warning level</b></p> <p>The motor I<sup>2</sup>t calculation estimates the duration for which the motor can be overloaded without overheating. When the maximum allowed period has been reached the motor I<sup>2</sup>t calculation is 100% (see r0034). This parameter defines the calculated I<sup>2</sup>t value in % at which a warning (A0511) is generated.</p> <p><b>Note:</b> A motor over-temperature trip (F0011) is produced at 110% of this level.</p>	0 400 [100] %	2 3 '•'
P0640	<p><b>Motor overload factor (%)</b></p> <p>Defines instantaneous motor current limit as a % of the nominal motor current. This value is limited to 150% of nominal inverter current (r0207) or to 400% of the motor current (whichever is the lower).</p>	0 400 [150] %	2 3 '•'
P0700	<p><b>Selection of command source</b></p> <p>Parameter for selecting the digital command source. When the parameter is changed, all digital input parameters will be set to reasonable values.</p> <p><b>Possible Settings</b></p> <p>0 "Factory default setting" 1 "keypad" (BOP/AOP) 2 "Terminal" 4 "USS1 on BOP-Link" (RS-232) 5 "USS2 on Comm-Link" (RS-485) 6 "PROFIBUS / Fieldbus on Comm-Link"</p> <p><b>Note:</b> Changing this parameter resets the settings to default on the item selected e.g. if you change from setting 1 to setting 2, all digital inputs will now have default settings</p>	0 6 [0] -	1 7
P0701	<p><b>Function of digital input 1</b></p> <p>Selects function of digital input 1</p> <p>0 Digital input disabled 1 ON Right 2 ON Left" (ON + Reverse) 3 OFF2 – coast to standstill 4 OFF3 – Quick ramp down (P1135 defines ramp down time) 9 Fault acknowledge 10 JOG right 11 JOG left 12 Reverse 13 Increase frequency (Main/additional setpoint=Keypad (P1000)) 14 Decrease frequency (Main or additional setpoint = Keypad) 15 Fixed frequency 1 (see P1001) 16 Fixed frequency 1 + ON (see P1001) 17 Fixed frequencies 1 to 7 (Binary Coded) (see P1001) 25 DC brake enable (see P1230 to P1233) 29 External trip 33 Disable additional setpoint (defined in P1000) 99 Enable BICO parameterization – for expert use only Can only be reset via P0700 or P3900 = 1, 2 or factory setting P0970 = 1</p>	0 99 [1] -	2 7

Parameter Number	Parameter Name	Min Max [Default] Units	◆P0003 User Access Level ◆P0004 Setting ◆Changeable ◆Status
P0702	<p><b>Function of digital input 2</b></p> <p>Selects function on digital input 2.</p> <ul style="list-style-type: none"> <li>0 Digital input disabled</li> <li>1 ON Right</li> <li>2 ON Left" (ON + Reverse)</li> <li>3 OFF2 – coast to standstill</li> <li>4 OFF3 – Quick ramp down (P1135 defines ramp down time)</li> <li>9 Fault acknowledge</li> <li>10 JOG right</li> <li>11 JOG left</li> <li>12 Reverse</li> <li>13 Increase frequency (Main/additional setpoint=Keypad (P1000))</li> <li>14 Decrease frequency (Main or additional setpoint = Keypad)</li> <li>15 Fixed frequency 2 (see P1002)</li> <li>16 Fixed frequency 2 + ON (see P1002)</li> <li>17 Fixed frequencies 1 to 7 (Binary Coded) (see P1002)</li> <li>25 DC brake enable (see P1230 to P1233)</li> <li>29 External trip</li> <li>33 Disable additional setpoint (defined in P1000)</li> <li>99 Enable BICO parameterization – for expert use only. Can only be reset via P0700 or P3900 = 1, 2 or factory setting P0970 = 1.</li> </ul>	0 99 [12] -	2 7
P0703	<p><b>Function of digital input 3</b></p> <p>Selects function on digital input 3.</p> <ul style="list-style-type: none"> <li>0 Digital input disabled</li> <li>1 ON Right</li> <li>2 ON Left" (ON + Reverse)</li> <li>3 OFF2 – coast to standstill</li> <li>4 OFF3 – Quick ramp down (P1135 defines ramp down time)</li> <li>9 Fault acknowledge</li> <li>10 JOG right</li> <li>11 JOG left</li> <li>12 Reverse</li> <li>13 Increase frequency (Main/additional setpoint=Keypad (P1000))</li> <li>14 Decrease frequency (Main or additional setpoint = Keypad)</li> <li>15 Fixed frequency 3 (see P1003)</li> <li>16 Fixed frequency 3 + ON (see P1003)</li> <li>17 Fixed frequencies 1 to 7 (Binary Coded) (see P1003)</li> <li>25 DC brake enable (see P1230 to P1233)</li> <li>29 External trip</li> <li>33 Disable additional setpoint (defined in P1000)</li> <li>99 Enable BICO parameterization – for expert use only Can only be reset via P0700 or P3900 = 1, 2 or factory setting P0970 = 1.</li> </ul>	0 99 [9] -	2 7

Parameter Number	Parameter Name	Min Max [Default] Units	◆P0003 User Access Level ◆P0004 Setting ◆Changeable ◆Status																																																
P0704	<p><b>Function of digital input 4 – via analog input</b></p> <p>Selects function on digital input 4 (via analog input)</p> <ul style="list-style-type: none"> <li>0 Digital input disabled</li> <li>1 ON Right</li> <li>2 ON Left" (ON + Reverse)</li> <li>3 OFF2 – coast to standstill</li> <li>4 OFF3 – Quick ramp down (P1135 defines ramp down time)</li> <li>9 Fault acknowledge</li> <li>10 JOG right</li> <li>11 JOG left</li> <li>12 Reverse</li> <li>13 Increase frequency (Main/additional setpoint=Keypad (P1000))</li> <li>14 Decrease frequency (Main or additional setpoint = Keypad)</li> <li>25 DC brake enable (see P1230 to P1233)</li> <li>29 External trip</li> <li>33 Disable additional setpoint (defined in P1000)</li> <li>99 Enable BICO parameterization – for expert use only Can only be reset via P0700 or P3900 = 1, 2 or factory setting P0970 = 1.</li> </ul> <p><b>Note:</b> signals above 4 V are Active, signals below 1.6 V are Inactive</p>	<p>0 99 [0] -</p>	<p>2 7</p>																																																
r0722	<p><b>Digital input values</b></p> <p>Bit display-showing status of digital inputs.</p> <p><b>Possible values:</b></p> <table border="0" style="width: 100%;"> <tr> <td style="width: 30%;">Bit 00 "Digital input 1"</td> <td style="width: 10%;"></td> <td style="width: 10%;">0 OFF</td> <td style="width: 10%;"></td> <td style="width: 10%;"></td> <td style="width: 10%;"></td> </tr> <tr> <td></td> <td></td> <td>1 <b>Active</b></td> <td></td> <td></td> <td></td> </tr> <tr> <td>Bit 01 "Digital input 2"</td> <td></td> <td>0 OFF</td> <td></td> <td></td> <td></td> </tr> <tr> <td></td> <td></td> <td>1 <b>Active</b></td> <td></td> <td></td> <td></td> </tr> <tr> <td>Bit 02 "Digital input 3"</td> <td></td> <td>0 OFF</td> <td></td> <td></td> <td></td> </tr> <tr> <td></td> <td></td> <td>1 <b>Active</b></td> <td></td> <td></td> <td></td> </tr> <tr> <td>Bit 03 "Digital input 4 (Via AIN)"</td> <td>0</td> <td>0 OFF</td> <td></td> <td></td> <td></td> </tr> <tr> <td></td> <td></td> <td>1 <b>Active</b></td> <td></td> <td></td> <td></td> </tr> </table> <p><b>Note</b> When the signal is active the segment is lit.</p>	Bit 00 "Digital input 1"		0 OFF						1 <b>Active</b>				Bit 01 "Digital input 2"		0 OFF						1 <b>Active</b>				Bit 02 "Digital input 3"		0 OFF						1 <b>Active</b>				Bit 03 "Digital input 4 (Via AIN)"	0	0 OFF						1 <b>Active</b>				<p>- - [-] -</p>	<p>2 7</p>
Bit 00 "Digital input 1"		0 OFF																																																	
		1 <b>Active</b>																																																	
Bit 01 "Digital input 2"		0 OFF																																																	
		1 <b>Active</b>																																																	
Bit 02 "Digital input 3"		0 OFF																																																	
		1 <b>Active</b>																																																	
Bit 03 "Digital input 4 (Via AIN)"	0	0 OFF																																																	
		1 <b>Active</b>																																																	

Parameter Number	Parameter Name	Min Max [Default] Units	◆P0003 User Access Level ◆P0004 Setting ◆Changeable ◆Status	
<b>P0731</b>	<b>Digital output function (relay)</b>	0 2197.F [52.3]-	2 7 '•'	
	52.0 Inverter ready	0 Closed 1 Open		
	52.1 Inverter ready to run	0 Closed 1 Open		
	52.2 Inverter running	0 Closed 1 Open		
	52.3 Inverter fault active	0 Closed 1 Open		
	52.4 OFF2 active	0 Open 1 Closed		
	52.5 OFF3 active	0 Open 1 Closed		
	52.6 Switch on inhibit active	0 Closed 1 Open		
	52.7 Inverter warning active	0 Closed 1 Open		
	52.8 Deviation setpoint/actual value	0 Open 1 Closed		
	52.9 PZD control (Process Data Control)	0 Closed 1 Open		
	52.A Maximum frequency reached	0 Closed 1 Open		
	52.b Warning: Motor current limit	0 Open 1 Closed		
	52.C Motor holding brake active	0 Open 1 Closed		
	52.d Motor overload	0 Open 1 Closed		
	52.E Motor running direction right	0 Closed 1 Open		
	52.F Inverter overload	0 Open 1 Closed		
	53.0 DC brake active	0 Closed 1 Open		
	53.1 Inverter freq. less switch off limit (P2167 – level 3)	0 Closed 1 Open		
	53.2 Inverter freq. less minimum freq.	0 Closed 1 Open		
	53.3 Current greater or equal than limit (P2170 – level 3)	0 Closed 1 Open		
	53.4 Act. freq. greater comparison freq. (P2155 – level 3)	0 Closed 1 Open		
	53.5 Act. freq. less comparison freq. (P2155 – level 3)	0 Closed 1 Open		
	53.6 Act. freq. greater/equal setpoint	0 Closed 1 Open		
	53.7 Voltage less than threshold (P2172 – level 3)	0 Closed 1 Open		
	53.8 Voltage greater than threshold (P2172 – level 3)	0 Closed 1 Open		
	53.9 reserve	0 Closed 1 Open		
	53.A Controller output at lower limit (P2292)	0 Closed 1 Open		
	53.b Controller output at lower limit (P2291)	0 Closed 1 Open		
	<b>Note</b>	These are the most common settings. Other settings are possible in Expert mode.		
	<b>r0752</b>	<b>Analog input voltage</b>	- - [-] V	2 8
		Displays the smoththed analog input value in volts before the characteristic block		

Parameter Number	Parameter Name	Min Max [Default] Units	◆P0003 User Access Level ◆P0004 Setting ◆Changeable ◆Status
r0754	<p><b>Smoothed analog input value</b></p> <p>Shows the smoothed value of the analog input in % after the characteristic block.</p> <p><b>Note:</b> 100% = 10V.</p>	- - [-] %	2 8
r0755	<p><b>Analog input value normalized to 16384 (4000 Hexadecimal)</b></p> <p>Displays the analog input, scaled using ASPmin and ASPmax.</p> <p>Analog setpoint from the analog scaling function (See parameters P0757 to P0760) can vary from ASPmin to ASPmax as shown in the associated diagram.</p> <p>The largest <b>magnitude</b> (value without sign) of ASPmin and ASPmax defines the scaling of 16384.</p> <p>Examples:</p> <p>ASPmin = 300%, ASPmax = 100% then 16384 represents 300%. This parameter will vary from 5461 to 16384</p> <p>ASPmin = -200%, ASPmax = 100% then 16384 represents 200%. This parameter will vary from -16384 to +8192</p> <p><b>Note:</b> This value is used as an input to analog <b>BICO</b> connectors</p>	- - [-] -	2 8
P0756	<p><b>Analog input monitoring</b></p> <p>Enables analog input monitoring.</p> <p><b>Possible settings:</b></p> <p>0 = Monitoring disabled. 1 = Monitoring enabled</p> <p>When monitoring is enabled and a deadband is defined (P0761), a fault condition will be generated (F0080) when the analog input voltage falls below 50% of the deadband voltage.</p> <p><b>Note:</b> This function is disabled if the analog scaling block (see P0757 – P0760) is programmed to output negative setpoints.</p>	0 1 [0] -	2 8

Parameter Number	Parameter Name	Min Max [Default] Units	◆P0003 User Access Level ◆P0004 Setting ◆Changeable ◆Status
<p><b>P0757</b></p>	<p><b>Value X1 of analog input scaling</b></p> <p>Parameters P0757 – P0760 are used to configure the analog input scaling as shown:</p>  <p>Alternative possibilities are given by the diagrams below.</p>  <p><b>Notes:</b></p> <p>Analog Setpoints represent a % of the normalized frequency in P2000.</p> <p>Analogue Setpoints may be larger than 100%.</p> <p>ASPmax represents the highest analog setpoint (This may be at 0V).</p> <p>ASPmin represents the lowest analog setpoint (This may be at 10V).</p> <p>Default values provide a scaling of 0V=0%, and 10V=100%.</p>	<p>0 10 [0] -</p>	<p>2 8 '.'</p>
<p><b>P0758</b></p>	<p><b>Value Y1 of analog input scaling</b></p> <p>Sets value of Y1 as described in P0757</p>	<p>-99999 99999 [0] %</p>	<p>2 8 '.'</p>
<p><b>P0759</b></p>	<p><b>Value X2 of analog input scaling</b></p> <p>Sets value of X2 as described in P0757</p>	<p>0 10 [10] V</p>	<p>2 8 '.'</p>
<p><b>P0760</b></p>	<p><b>Value Y2 of analog input scaling</b></p> <p>Sets value of Y2 as described in P0757</p>	<p>-99999 99999 [100] %</p>	<p>2 8 '.'</p>

Parameter Number	Parameter Name	Min Max [Default] Units	◆P0003 User Access Level ◆P0004 Setting ◆Changeable ◆Status
P0761	<p><b>Width of deadband</b></p> <p>Defines width of deadband on analog input.</p> <p>Please see following diagrams for explanations of use;</p> <p><b>Example 1 – 2 to 10V 0 to 50Hz</b></p> <p>The above example provides a 2 to 10V, 0 to 50Hz analog input.  P0757 = 2V  P0761 = 2V  P2000 = 50Hz</p> <p><b>Example 2 – Center Zero (0 to 10V = - 50 to +50Hz)</b></p> <p>The above example provides 0 to 10V, -50Hz to +50Hz with center zero and a "holding point" 0.2V wide.  P0758 = -100%  P0761 = 0.1 (0.1V either side of center)  P2000 = 50Hz</p> <p><b>Note:</b>  Fmin (P1080) should be zero when using center zero setup.  There is no hysteresis at the end of the dead band</p>	0 10 [0] V	2 8 '•'

Parameter Number	Parameter Name	Min Max [Default] Units	◆P0003 User Access Level ◆P0004 Setting ◆Changeable ◆Status
P0771	<b>Analog output function</b>	0 2248.0 [21] -	2 8 '•'
	Defines function of the 0 –20 mA analog output.  <b>Possible settings:</b> These are the most common values:  21            Actual frequency (scaled to P2000) 24            Output frequency (scaled to P2000) 25            Output voltage (scaled to 1000 V) 26            DC link voltage (scaled to 1000 V) 27            Output current (scaled to P2002 Level 3)  Other values: See individual parameter descriptions		
r0774	<b>Analog output value</b>	- - [-] %	2 8
	Shows the value of the analog output in mA.		
P0777	<b>Value X1 of analog output characteristics</b>	-99999 99999 [0] %	2 8 '•'
	Defines the x1 output characteristic. The parameters P0777 – P0780 work as follows:  <p>Points (x1, y1) , (x2,y2) can be chosen freely</p>		
P0778	<b>Value Y1 of analog output characteristics</b>	0 4 [0] -	2 8 '•'
	Defines y1 of output characteristic		
P0779	<b>Value X2 of analog output characteristics</b>	-99999 99999 [100] %	2 8 '•'
	Defines x2 of output characteristic		
P0780	<b>Value Y2 of analog output characteristics</b>	0 20 [20] -	2 8 '•'
	Defines y2 of output characteristic		
P0781	<b>Analog output deadband</b>	0 20 [0] -	2 8 '•'
	Sets the width of a dead-band in mA for the analog output.		



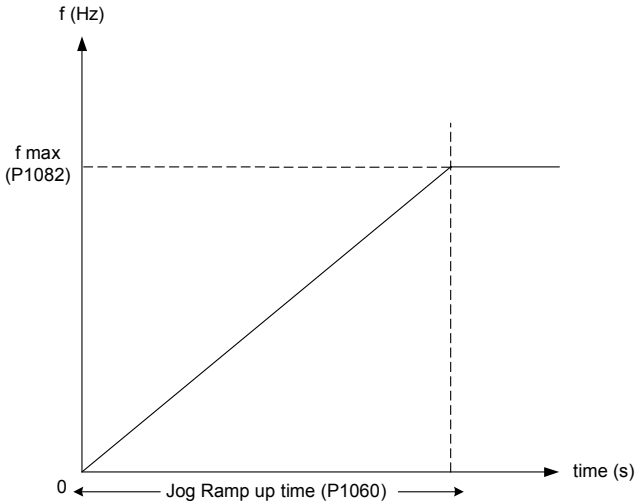
Parameter Number	Parameter Name	Min Max [Default] Units	◆P0003 User Access Level ◆P0004 Setting ◆Changeable ◆Status																																																																																					
P0918	<p><b>PROFIBUS address</b></p> <p>Defines PROFIBUS address or the address of other option modules. There are two methods of setting the bus address:</p> <p>1 via the PROFIBUS module DIP switches 2 via a user-entered value</p> <p><b>Possible PROFIBUS Settings:</b> 1... 125 0, 126, 127 are not allowed</p>	0 127 [3] -	2 20																																																																																					
P0927	<p><b>Parameters changeable via</b></p> <p>Defines how the user is able to change parameters.</p> <p><b>Possible Settings:</b></p> <table border="1" data-bbox="290 837 1067 1397"> <thead> <tr> <th>Setting</th> <th>RS485 USS</th> <th>RS232 USS</th> <th>BOP</th> <th>COMMS module</th> </tr> </thead> <tbody> <tr><td>0</td><td>0</td><td>0</td><td>0</td><td>0</td></tr> <tr><td>1</td><td>0</td><td>0</td><td>0</td><td>1</td></tr> <tr><td>2</td><td>0</td><td>0</td><td>1</td><td>0</td></tr> <tr><td>3</td><td>0</td><td>0</td><td>1</td><td>1</td></tr> <tr><td>4</td><td>0</td><td>1</td><td>0</td><td>0</td></tr> <tr><td>5</td><td>0</td><td>1</td><td>0</td><td>1</td></tr> <tr><td>6</td><td>0</td><td>1</td><td>1</td><td>0</td></tr> <tr><td>7</td><td>0</td><td>1</td><td>1</td><td>1</td></tr> <tr><td>8</td><td>1</td><td>0</td><td>0</td><td>0</td></tr> <tr><td>9</td><td>1</td><td>0</td><td>0</td><td>1</td></tr> <tr><td>10</td><td>1</td><td>0</td><td>1</td><td>0</td></tr> <tr><td>11</td><td>1</td><td>0</td><td>1</td><td>1</td></tr> <tr><td>12</td><td>1</td><td>1</td><td>0</td><td>0</td></tr> <tr><td>13</td><td>1</td><td>1</td><td>0</td><td>1</td></tr> <tr><td>14</td><td>1</td><td>1</td><td>1</td><td>0</td></tr> <tr><td>15</td><td>1</td><td>1</td><td>1</td><td>1</td></tr> </tbody> </table> <p><b>Note</b> This is a binary parameter E.g. if you want to set value 15, you will need to set the display to indicate 15 in Binary (with the separating bars in-between "b - - n" or if you wanted to set 11 – "b - - r n" etc.</p>	Setting	RS485 USS	RS232 USS	BOP	COMMS module	0	0	0	0	0	1	0	0	0	1	2	0	0	1	0	3	0	0	1	1	4	0	1	0	0	5	0	1	0	1	6	0	1	1	0	7	0	1	1	1	8	1	0	0	0	9	1	0	0	1	10	1	0	1	0	11	1	0	1	1	12	1	1	0	0	13	1	1	0	1	14	1	1	1	0	15	1	1	1	1	0 15 [15] -	2 20
Setting	RS485 USS	RS232 USS	BOP	COMMS module																																																																																				
0	0	0	0	0																																																																																				
1	0	0	0	1																																																																																				
2	0	0	1	0																																																																																				
3	0	0	1	1																																																																																				
4	0	1	0	0																																																																																				
5	0	1	0	1																																																																																				
6	0	1	1	0																																																																																				
7	0	1	1	1																																																																																				
8	1	0	0	0																																																																																				
9	1	0	0	1																																																																																				
10	1	0	1	0																																																																																				
11	1	0	1	1																																																																																				
12	1	1	0	0																																																																																				
13	1	1	0	1																																																																																				
14	1	1	1	0																																																																																				
15	1	1	1	1																																																																																				

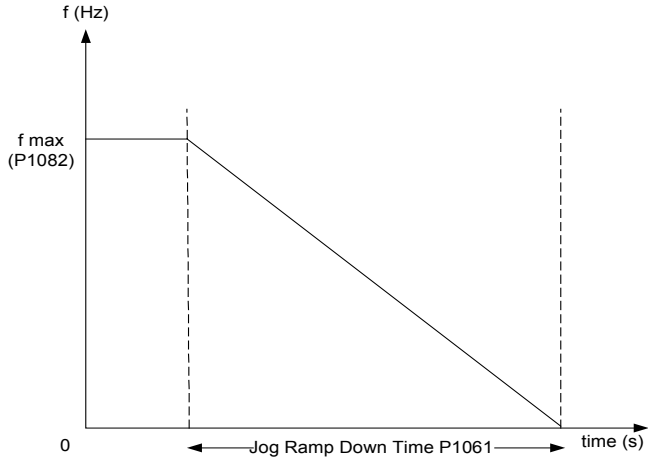
Parameter Number	Parameter Name	Min Max [Default] Units	◆P0003 User Access Level ◆P0004 Setting ◆Changeable ◆Status
r0947	<p><b>Last fault code</b></p> <p>Displays the fault history</p> <p>In the following diagram:</p> <p>“F1” is the 1<sup>st</sup> active fault (not yet acknowledged).  “F2” is the 2<sup>nd</sup> active fault (not yet acknowledged).  “F1e” is the occurrence of the fault acknowledgement of F1 &amp; F2 – this moves the values in the 2 indices down to the next pair of indices where they are stored.</p> <p>The most recent fault events are stored in indices 0 and 1.</p> <p>For example:  If the inverter trips on undervoltage and then receives an external trip before the undervoltage is acknowledged you will get:</p> <p>Index 0 = 3 Undervoltage  Index 1 = 85 External trip</p> <p>Whenever a fault is put into index 1 (F1e) the existing fault history is moved as shown in the diagram.</p> <p><b>Note</b>  See list of fault codes list in Section 6  Index 2 is only used if a 2<sup>nd</sup> fault occurs before the 1<sup>st</sup> is acknowledged.</p>	- - [-] -	2 21
P0970	<p><b>Factory settings</b></p> <p>Resets all parameters to their default values. To do this, you need to set P0010=30, then P0970=1  P0100 is set according DIP Switch setting</p>	0 1 [0] -	1 30 'g'

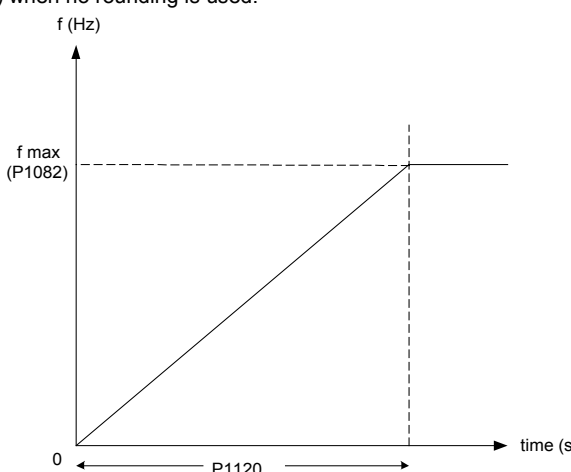
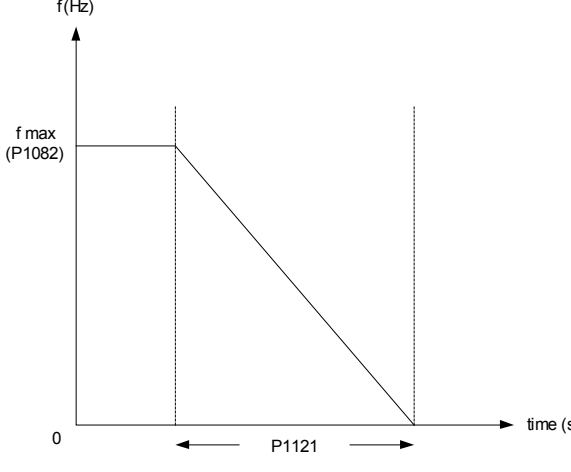
Parameter Number	Parameter Name	Min Max [Default] Units	◆P0003 User Access Level ◆P0004 Setting ◆Changeable ◆Status																																																																							
P1000	<p><b>Frequency setpoint selection</b></p> <p>Selects the frequency setpoint source. In the table of possible settings given below the main setpoint is selected from the least significant digit i.e., 0 to 6 and any additional setpoint from the most significant digit i.e., x0 through to x6. For example, setting 12 selects the main setpoint (2) derived from the analog input with the additional setpoint (1) coming from the keypad.</p> <p>Single digits are main setpoints only with no additional setpoint.</p> <table border="1" data-bbox="300 600 1051 1294"> <thead> <tr> <th data-bbox="300 600 715 1055" rowspan="2">Main setpoint</th> <th colspan="7" data-bbox="715 600 1051 636">Additional setpoint</th> </tr> <tr> <th data-bbox="715 636 762 1055">No additional setpoint</th> <th data-bbox="762 636 810 1055">Keypad (Motor pot.) setpoint</th> <th data-bbox="810 636 858 1055">Analogue input</th> <th data-bbox="858 636 906 1055">Fixed frequency</th> <th data-bbox="906 636 954 1055">USS via RS232</th> <th data-bbox="954 636 1002 1055">USS via RS485</th> <th data-bbox="1002 636 1051 1055">Optional communications board</th> </tr> </thead> <tbody> <tr> <td data-bbox="300 1055 715 1090">No main setpoint</td> <td data-bbox="715 1055 762 1090">0</td> <td data-bbox="762 1055 810 1090">10</td> <td data-bbox="810 1055 858 1090">20</td> <td data-bbox="858 1055 906 1090">30</td> <td data-bbox="906 1055 954 1090">40</td> <td data-bbox="954 1055 1002 1090">50</td> <td data-bbox="1002 1055 1051 1090">60</td> </tr> <tr> <td data-bbox="300 1090 715 1126">Keypad (Motor potentiometer) setpoint</td> <td data-bbox="715 1090 762 1126">1</td> <td data-bbox="762 1090 810 1126">11</td> <td data-bbox="810 1090 858 1126">21</td> <td data-bbox="858 1090 906 1126">31</td> <td data-bbox="906 1090 954 1126">41</td> <td data-bbox="954 1090 1002 1126">51</td> <td data-bbox="1002 1090 1051 1126">61</td> </tr> <tr> <td data-bbox="300 1126 715 1162">Analogue Input</td> <td data-bbox="715 1126 762 1162">2</td> <td data-bbox="762 1126 810 1162">12</td> <td data-bbox="810 1126 858 1162">22</td> <td data-bbox="858 1126 906 1162">32</td> <td data-bbox="906 1126 954 1162">42</td> <td data-bbox="954 1126 1002 1162">52</td> <td data-bbox="1002 1126 1051 1162">62</td> </tr> <tr> <td data-bbox="300 1162 715 1198">Fixed frequency</td> <td data-bbox="715 1162 762 1198">3</td> <td data-bbox="762 1162 810 1198">13</td> <td data-bbox="810 1162 858 1198">23</td> <td data-bbox="858 1162 906 1198">33</td> <td data-bbox="906 1162 954 1198">43</td> <td data-bbox="954 1162 1002 1198">53</td> <td data-bbox="1002 1162 1051 1198">63</td> </tr> <tr> <td data-bbox="300 1198 715 1234">USS via RS232</td> <td data-bbox="715 1198 762 1234">4</td> <td data-bbox="762 1198 810 1234">14</td> <td data-bbox="810 1198 858 1234">24</td> <td data-bbox="858 1198 906 1234">34</td> <td data-bbox="906 1198 954 1234">44</td> <td data-bbox="954 1198 1002 1234">54</td> <td data-bbox="1002 1198 1051 1234">64</td> </tr> <tr> <td data-bbox="300 1234 715 1270">USS via RS485</td> <td data-bbox="715 1234 762 1270">5</td> <td data-bbox="762 1234 810 1270">15</td> <td data-bbox="810 1234 858 1270">25</td> <td data-bbox="858 1234 906 1270">35</td> <td data-bbox="906 1234 954 1270">45</td> <td data-bbox="954 1234 1002 1270">55</td> <td data-bbox="1002 1234 1051 1270">65</td> </tr> <tr> <td data-bbox="300 1270 715 1305">Optional communications board</td> <td data-bbox="715 1270 762 1305">6</td> <td data-bbox="762 1270 810 1305">16</td> <td data-bbox="810 1270 858 1305">26</td> <td data-bbox="858 1270 906 1305">36</td> <td data-bbox="906 1270 954 1305">46</td> <td data-bbox="954 1270 1002 1305">56</td> <td data-bbox="1002 1270 1051 1305">66</td> </tr> </tbody> </table> <p data-bbox="240 1350 571 1379"><b>The most common settings are:</b></p> <ol data-bbox="240 1406 692 1585" style="list-style-type: none"> <li>Keypad (Motor potentiometer) setpoint</li> <li>Analog input</li> <li>Fixed frequency setpoint</li> <li>USS via RS232</li> <li>USS via RS485 terminals Optional Communication Board</li> </ol> <p data-bbox="240 1615 1051 1644">Other settings including an additional setpoint can be selected using the table above.</p>	Main setpoint	Additional setpoint							No additional setpoint	Keypad (Motor pot.) setpoint	Analogue input	Fixed frequency	USS via RS232	USS via RS485	Optional communications board	No main setpoint	0	10	20	30	40	50	60	Keypad (Motor potentiometer) setpoint	1	11	21	31	41	51	61	Analogue Input	2	12	22	32	42	52	62	Fixed frequency	3	13	23	33	43	53	63	USS via RS232	4	14	24	34	44	54	64	USS via RS485	5	15	25	35	45	55	65	Optional communications board	6	16	26	36	46	56	66	0 66 [2] -	1 10
Main setpoint	Additional setpoint																																																																									
	No additional setpoint	Keypad (Motor pot.) setpoint	Analogue input	Fixed frequency	USS via RS232	USS via RS485	Optional communications board																																																																			
No main setpoint	0	10	20	30	40	50	60																																																																			
Keypad (Motor potentiometer) setpoint	1	11	21	31	41	51	61																																																																			
Analogue Input	2	12	22	32	42	52	62																																																																			
Fixed frequency	3	13	23	33	43	53	63																																																																			
USS via RS232	4	14	24	34	44	54	64																																																																			
USS via RS485	5	15	25	35	45	55	65																																																																			
Optional communications board	6	16	26	36	46	56	66																																																																			

Parameter Number	Parameter Name	Min Max [Default] Units	◆P0003 User Access Level ◆P0004 Setting ◆Changeable ◆Status																																										
P1001	<b>Fixed frequency 1</b>	-650 650 [0] Hz	2 10 ‘•’																																										
	<p>Defines fixed frequency setpoint 1</p> <p><b>How to use fixed frequencies;</b></p> <p>To use fixed frequencies it is necessary to select fixed frequency operation using P1000.</p> <p>Fixed frequencies can be selected using the digital inputs, and can also be combined with an ON command.</p> <p>There are three types of Fixed Frequencies.</p> <p><b>1) Direct selection</b>  <b>2) Direct selection + ON command</b>  <b>3) Binary Coded selection + ON command</b></p> <p><b>1. Direct selection (P0701 – P0703 = 15)</b>                      In this mode of operation 1 digital input selects 1 fixed frequency. If several inputs are active together, the selected frequencies are summed. E.g. (FF1 + FF2 + FF3).</p> <p><b>Note:</b>                      An ON command is also required to start the inverter e.g. from keypad or serial link etc.</p> <p><b>2. Direct selection + ON command (P0701 – P0703 = 16)</b></p> <p>This fixed frequency selection combines the fixed frequencies with an ON command.</p> <p>In this mode of operation 1 digital input selects 1 fixed frequency. If several inputs are active together, the selected frequencies are summed. E.g. (FF1 + FF2 + FF3).</p> <p><b>3. Binary Coded Selection + ON command (P0701 – P0703 = 17)</b></p> <p>Up to 7 fixed frequencies can be selected using this method. The fixed frequencies are selected according to the following table:</p> <table border="1" style="margin-left: 40px;"> <thead> <tr> <th></th> <th></th> <th>DIN3</th> <th>DIN2</th> <th>DIN1</th> </tr> </thead> <tbody> <tr> <td></td> <td>OFF</td> <td>Inactive</td> <td>Inactive</td> <td>Inactive</td> </tr> <tr> <td>P1001</td> <td>FF1</td> <td>Inactive</td> <td>Inactive</td> <td><b>Active</b></td> </tr> <tr> <td>P1002</td> <td>FF2</td> <td>Inactive</td> <td><b>Active</b></td> <td>Inactive</td> </tr> <tr> <td>P1003</td> <td>FF3</td> <td>Inactive</td> <td><b>Active</b></td> <td><b>Active</b></td> </tr> <tr> <td>P1004</td> <td>FF4</td> <td><b>Active</b></td> <td>Inactive</td> <td>Inactive</td> </tr> <tr> <td>P1005</td> <td>FF5</td> <td><b>Active</b></td> <td>Inactive</td> <td><b>Active</b></td> </tr> <tr> <td>P1005</td> <td>FF6</td> <td><b>Active</b></td> <td><b>Active</b></td> <td>Inactive</td> </tr> <tr> <td>P1007</td> <td>FF7</td> <td><b>Active</b></td> <td><b>Active</b></td> <td><b>Active</b></td> </tr> </tbody> </table>					DIN3	DIN2	DIN1		OFF	Inactive	Inactive	Inactive	P1001	FF1	Inactive	Inactive	<b>Active</b>	P1002	FF2	Inactive	<b>Active</b>	Inactive	P1003	FF3	Inactive	<b>Active</b>	<b>Active</b>	P1004	FF4	<b>Active</b>	Inactive	Inactive	P1005	FF5	<b>Active</b>	Inactive	<b>Active</b>	P1005	FF6	<b>Active</b>	<b>Active</b>	Inactive	P1007	FF7
		DIN3	DIN2	DIN1																																									
	OFF	Inactive	Inactive	Inactive																																									
P1001	FF1	Inactive	Inactive	<b>Active</b>																																									
P1002	FF2	Inactive	<b>Active</b>	Inactive																																									
P1003	FF3	Inactive	<b>Active</b>	<b>Active</b>																																									
P1004	FF4	<b>Active</b>	Inactive	Inactive																																									
P1005	FF5	<b>Active</b>	Inactive	<b>Active</b>																																									
P1005	FF6	<b>Active</b>	<b>Active</b>	Inactive																																									
P1007	FF7	<b>Active</b>	<b>Active</b>	<b>Active</b>																																									
P1002	<b>Fixed frequency 2</b>	-650 650 [5] Hz	2 10 ‘•’																																										
	<p>Defines fixed frequency setpoint 2</p> <p>See description for P1001</p>																																												
P1003	<b>Fixed frequency 3</b>	-650 650 [10] Hz	2 10 ‘•’																																										
	<p>Defines fixed frequency setpoint 3</p> <p>See description for P1001</p>																																												

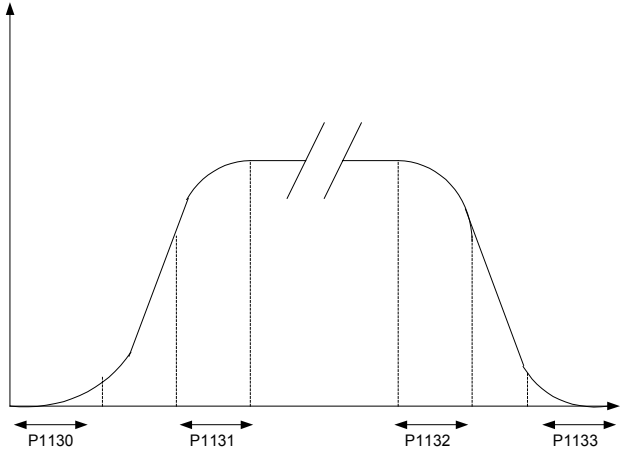
Parameter Number	Parameter Name	Min Max [Default] Units	◆P0003 User Access Level ◆P0004 Setting ◆Changeable ◆Status
P1004	<b>Fixed frequency 4</b>	-650 650 [15] Hz	2 10 ‘•’
	Defines fixed frequency setpoint 4 See description for P1001		
P1005	<b>Fixed frequency 5</b>	-650 650 [20] Hz	2 10 ‘•’
	Defines fixed frequency setpoint 5 See description for P1001		
P1006	<b>Fixed frequency 6</b>	-650 650 [25] Hz	2 10 ‘•’
	Defines fixed frequency setpoint 6 See description for P1001		
P1007	<b>Fixed frequency 7</b>	-650 650 [30] Hz	2 10 ‘•’
	Defines fixed frequency setpoint 7 See description for P1001		
P1031	<b>Setpoint memory of Keypad (Motor potentiometer)</b>	0 1 [0] -	2 10 ‘•’
	Saves the last keypad (Motor potentiometer) setpoint that was active before OFF command or power down.  <b>Possible settings:</b> 0 = Not saved 1 = Saved (P1040 is updated).  <b>Note:</b> On next ON command, keypad (Motor potentiometer) setpoint will be the saved value in P1040		
P1032	<b>Inhibit reverse direction of Keypad (Motor potentiometer)</b>	0 1 [1] -	2 10
	Inhibits the reverse setpoint selection when keypad (Motor potentiometer) is chosen either as main setpoint or additional setpoint (using P1000)  <b>Possible Settings:</b> 0 Reverse direction is allowed – it is possible to change motor direction using the keypad (Motor potentiometer) setpoint (increase / decrease frequency either by using digital inputs or keypad up / down buttons) 1 Reverse direction inhibited		

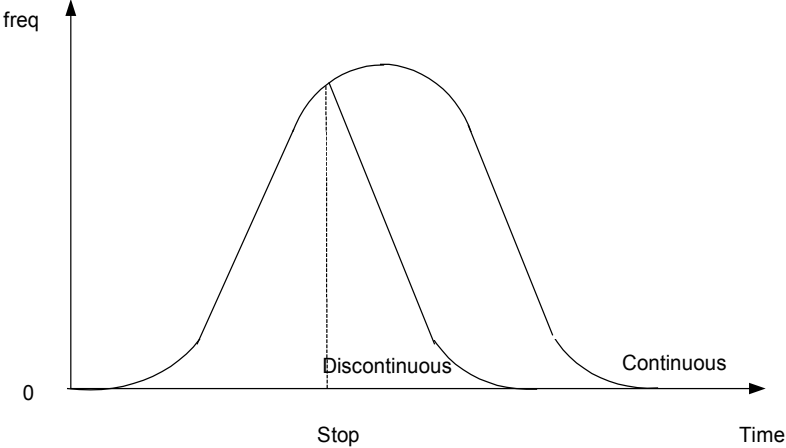
Parameter Number	Parameter Name	Min Max [Default] Units	◆P0003 User Access Level ◆P0004 Setting ◆Changeable ◆Status
P1040	<b>Setpoint of the Keypad (Motor potentiometer)</b>	-650 650 [5] Hz	2 10 '•'
	Determines Setpoint for Keypad (Motor potentiometer) control (P1000=1).  <b>Note:</b>  If Keypad (Motor potentiometer) setpoint is selected either as Main setpoint or Additional setpoint then the reverse direction will be inhibited by default using P1032. If you want to re-enable reverse direction then set P1032 = 1.		
P1058	<b>JOG frequency right</b>	0 650 [5] Hz	2 10 '•'
	Jogging is used to advance the motor by small amounts. It is controlled via the jog button or using a non-latching switch on one of the digital inputs.  While jog right is selected, this parameter determines the frequency at which the inverter will run. The up and down ramp times used while jogging are set in P1060 and P1061 respectively.		
P1059	<b>JOG frequency left</b>	0 650 [5] Hz	2 10 '•'
	While jog left is selected, this parameter determines the frequency at which the inverter will run.		
P1060	<b>JOG ramp-up time</b>	0 650 [10] s	2 10 '•'
	Sets ramp-up time. This is the time used while jogging or when the function "use jog ramp times" is activated.  		

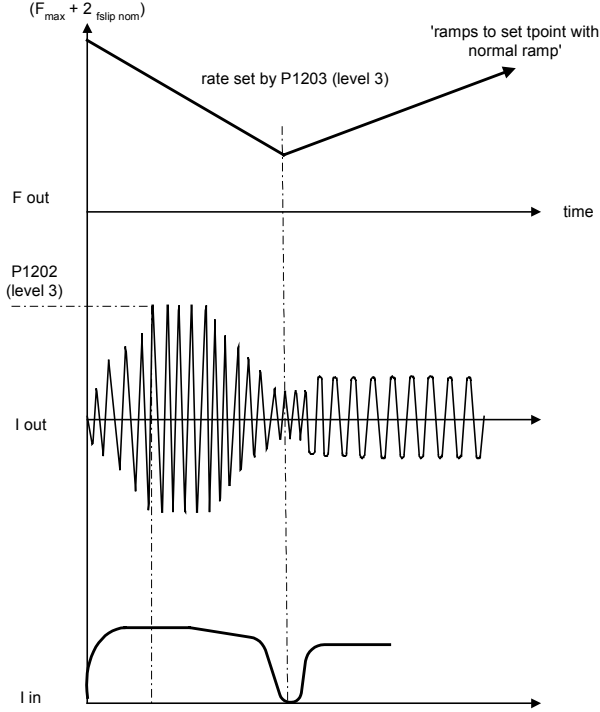
Parameter Number	Parameter Name	Min Max [Default] Units	◆P0003 User Access Level ◆P0004 Setting ◆Changeable ◆Status
<p><b>P1061</b></p>	<p><b>JOG ramp-down time</b></p> <p>Sets ramp-down time (s). This is the time used while jogging or when the function “use jog ramp times” is activated.</p> 	<p>0 650 [10] s</p>	<p>2 10 '•'</p>
<p><b>P1080</b></p>	<p><b>Min. frequency</b></p> <p>Sets minimum motor frequency (Hz) at which the motor will run irrespective of the frequency setpoint. The value set here is valid for both clockwise and anti-clockwise rotation.</p> <p><b>Note</b> Under certain conditions (e.g. ramping, current limiting), the inverter can run below the minimum frequency.</p>	<p>0 650 [0] Hz</p>	<p>1 10 '•'</p>
<p><b>P1082</b></p>	<p><b>Max. frequency</b></p> <p>Sets maximum motor frequency (Hz) at which the motor will run irrespective of the frequency setpoint. The value set here is valid for both clockwise and anti-clockwise rotation.</p> <p><b>Notes</b> There are mechanical limitations to the maximum speed at which a motor can run. In general, the maximum motor frequency should not exceed 3 x the nominal rating plate motor frequency.</p> <p>The maximum frequency can be exceeded if either of the following is active:</p> <p>Slip compensation (<math>f_{max} + f_{slip\ comp\ max}</math>) or Flying restart (<math>f_{max} + f_{slip\ nom}</math>)</p>	<p>0 650 [50] Hz</p>	<p>1 10</p>

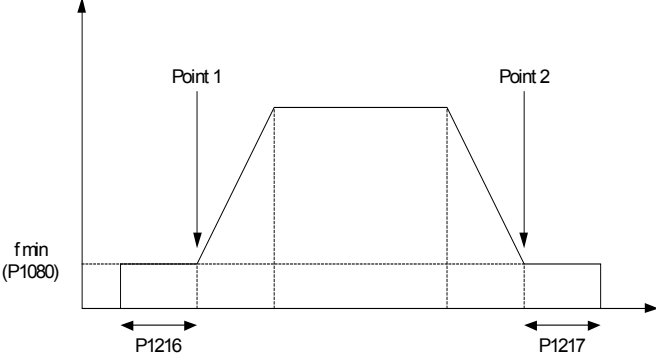
Parameter Number	Parameter Name	Min Max [Default] Units	◆P0003 User Access Level ◆P0004 Setting ◆Changeable ◆Status
<p><b>P1120</b></p>	<p><b>Ramp-up time</b></p> <p>Time taken for the motor to accelerate from standstill up to maximum motor frequency (P1082) when no rounding is used.</p>  <p>Setting the ramp-up time too short can cause the inverter to trip (overcurrent).</p> <p><b>Notes</b></p> <p>If you are using an external frequency setpoint which already has set ramp rates (e.g. from a PLC), optimum drive performance is best achieved if the ramp times in P1120 and P1121 are set to values slightly shorter than those of the PLC.</p> <p>Changes to the ramp-up or ramp-down times are not active until confirmed by pressing the <b>P</b> key.</p>	<p>0 650 [10] s</p>	<p>1 10 ◆</p>
<p><b>P1121</b></p>	<p><b>Ramp-down time</b></p> <p>Time taken for motor to decelerate from maximum motor frequency (P1082) down to standstill when no rounding is used.</p>  <p><b>Notes</b></p> <p>Setting the ramp-down time too short can cause the inverter to trip (overvoltage (F0002) / overcurrent (F0001)).</p> <p>Changes to the ramp-up or ramp-down times are not active until confirmed by pressing the <b>P</b> key.</p>	<p>0 650 [10] s</p>	<p>1 10 ◆</p>



Parameter Number	Parameter Name	Min Max [Default] Units	◆P0003 User Access Level ◆P0004 Setting ◆Changeable ◆Status
P1130	<b>Initial rounding time for ramp-up</b>	0 40	2 10
	Defines initial smoothing time in seconds as shown on the diagram below.  where $T_{up\ total} = \frac{1}{2} P1130 + X * P1120 + \frac{1}{2} P1131$ $T_{down\ total} = \frac{1}{2} P1132 + X * P1121 + \frac{1}{2} P1133$ X is defined as $\Delta f = X * F_{max}$	[0] s	'•'
P1131	<b>Final rounding time for ramp-up</b>	0 40	2 10
	Defines smoothing time at end of ramp-up as shown in P1130.	[0] s	'•'
P1132	<b>Initial rounding time for ramp-down</b>	0 40	2 10
	Defines smoothing time at start of ramp-down as shown in P1130.	[0] s	'•'
P1133	<b>Final rounding time for ramp-down</b>	0 40	2 10
	Defines smoothing time at end of ramp-down as shown in P1130.	[0] s	'•'

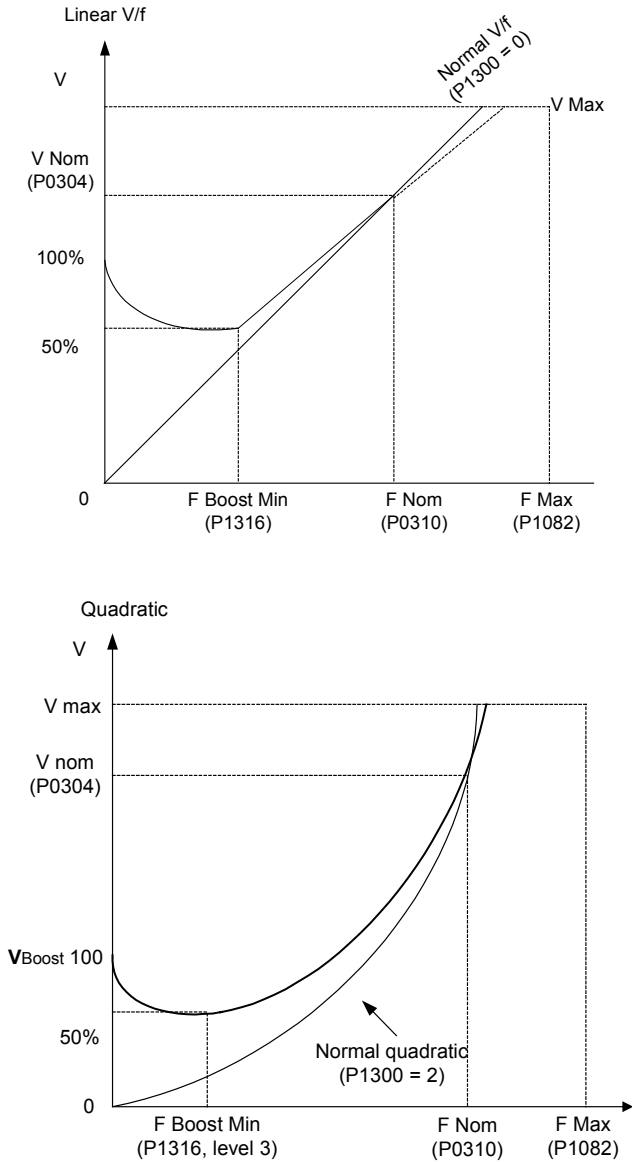
Parameter Number	Parameter Name	Min Max [Default] Units	◆P0003 User Access Level ◆P0004 Setting ◆Changeable ◆Status
P1134	<p><b>Rounding type</b></p> <p>Defines continuous smoothing (default) or discontinuous smoothing as a response to OFF commands or setpoint reduction.</p> <p>The total smoothing time must be set &gt; 0s; otherwise this parameter will have no effect.</p> <p><b>Possible settings:</b>                      0 = Continuous                      1 = Discontinuous</p> 	0 1 [0] -	2 10 '•'

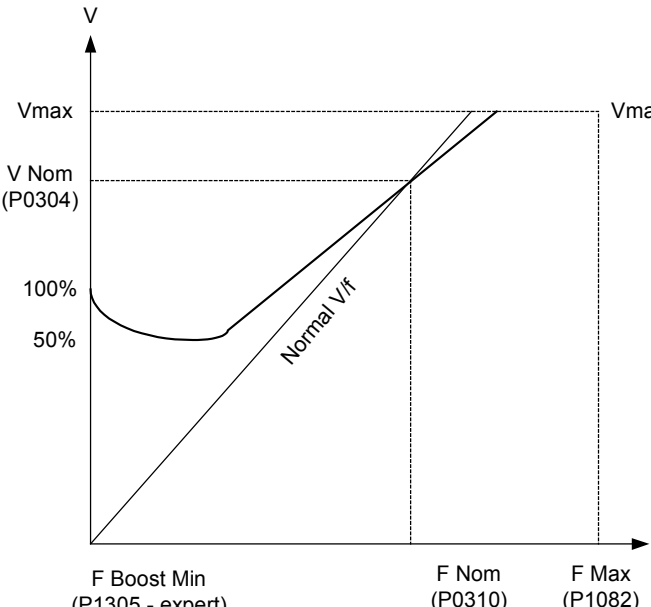
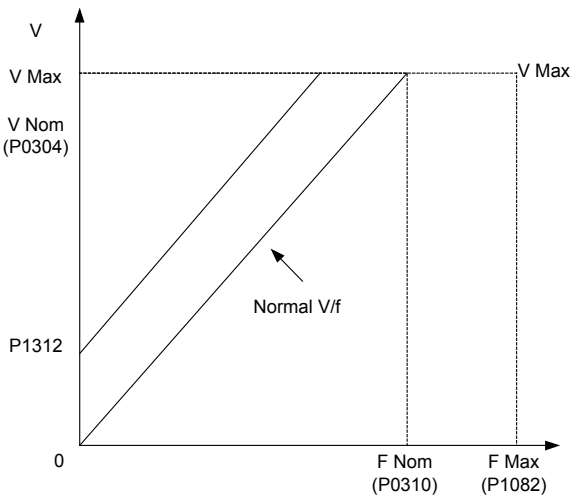
Parameter Number	Parameter Name	Min Max [Default] Units	◆P0003 User Access Level ◆P0004 Setting ◆Changeable ◆Status
P1200	<p><b>Start on the fly</b></p> <p>Starts inverter onto a spinning motor.</p> <p>If it is possible that the motor is still spinning e.g. after a short mains break, or if the motor can be driven by the load then flying restart must be used – otherwise overcurrent trips will occur.</p> <p>This function is particularly useful for motors with high inertia loads.</p> <p><b>Possible Settings:</b></p> <ul style="list-style-type: none"> <li>0 “flying restart inactive”</li> <li>1 “flying restart always active”, starts in setpoint direction</li> <li>2 “flying restart on power up, fault, OFF2”, starts in setpoint direction</li> <li>3 “flying restart on fault, Off2”, starts in setpoint direction</li> <li>4 “Flying restart always active. Search ONLY in setpoint direction.”</li> <li>5 “flying restart on power up, fault, OFF2, Search ONLY in setpoint direction</li> <li>6 “ Flying restart on fault, off2, Search ONLY in setpoint direction.”</li> <li>7</li> </ul>  <p>It does this by rapidly changing the output frequency of the inverter until the actual motor speed has been found. Once this happens, the motor will run up to its setpoint using the normal ramp time.</p> <p><b>Note:</b> Settings 1 to 3 search in both directions. In order to search only in direction of setpoint it is necessary to set 4 to 6.</p>	0 6 [0] -	2 12 ‘•’

Parameter Number	Parameter Name	Min Max [Default] Units	◆P0003 User Access Level ◆P0004 Setting ◆Changeable ◆Status
P1210	<p><b>Automatic restart</b></p> <p>Enables restart after a mains break or after a fault.</p> <p><b>Possible settings:</b></p> <p>0 = Disabled                      1 = Acknowledges faults on power up – inverter is not started. It is necessary to toggle the ON command to start the inverter.                      2 = Restart after mains break (blackout) / power on                      3 = Restart after fault/mains break (blackout / brownout)                      4 = Restart after mains break (blackout / brownout)                      5 = Restart after mains break/fault, ignoring previous history</p> <p><b>Warning:</b>  <b>Setting 2 to 5 can cause the motor to restart unexpectedly!</b></p> <p><b>Note</b>                      Auto restart will only work if the ON command remains constantly present. E.g. via a digital input wire link.                      If the motor could still be turning or is possibly still being driven by the load, flying restart must also be enabled (P1200).</p>	0 5 [1] -	2 12 ‘•’
P1215	<p><b>Holding brake profile enable</b></p> <p>Enables/disables holding brake function</p> <p>You can use this function to make the inverter follow the profile below. It is also possible to have a relay switch at point 1 and point 2 if programmed in P0731 = 52.C to control a brake.</p>  <p><b>Possible settings:</b></p> <p>0 = Disabled                      1 = Enabled</p> <p><b>Note</b>                      The brake relay opens at Point 1 if enabled using P0731. The brake relay closes at Point 2.</p>	0 1 [0] -	2 12
P1216	<p><b>Holding brake release delay</b></p> <p>Defines the time at which the inverter runs at <math>f_{min}</math> before ramping up at point 1 (as shown in P1215 diagram).</p>	0 20 [1] s	2 12

Parameter Number	Parameter Name	Min Max [Default] Units	◆P0003 User Access Level ◆P0004 Setting ◆Changeable ◆Status
	<p><b>Note:</b></p> <p>The inverter starts at <math>f_{min}</math> on this profile, i.e. it does not use a ramp.</p> <p>If this is being used to hold the motor at a certain frequency against a mechanical brake (i.e. you are using a relay to control a mechanical brake), it is important that <math>f_{min} &lt; 5</math> Hz; otherwise, the current drawn may be too high and the relay may not open as inverter is in current limit.</p> <p>A typical value of <math>f_{min}</math> for this type of application is the slip frequency of the motor. You can calculate the rated slip frequency by using the following formula:</p> $\frac{n_{syn} - n_{rated}}{n_{syn}} \times f_{rated}$		
P1217	<b>Holding time after ramp down</b>	0 20 [1] s	2 12
	Defines the time at which the inverter runs at $f_{min}$ after ramping down at point 2 (as shown in P1215 diagram).		
P1232	<b>DC braking current</b>	0 250 [100] %	2 12 ‘•’
	Defines level of DC current as a percentage of nominal motor current (P0305).		
P1233	<b>Duration of DC braking after OFF1</b>	0 250 [0] s	2 12 ‘•’
	<p>Defines duration for which DC injection braking is to be active following an OFF1 command.</p> <p><b>Possible settings:</b></p> <p>0 = not active following OFF1</p> <p>1 – 250 = active for the specified duration</p> <p><b>Note</b></p> <p>The DC braking function causes the motor to stop rapidly by applying a DC braking current (the current applied also holds the shaft stationary). When the DC braking signal is applied, the inverter output pulses are blocked and the DC current is only applied once the motor has been sufficiently demagnetized. (Demagnetization time is automatically calculated from Motor data).</p> <p><b>Warning</b></p> <p>Frequent use of long periods of DC braking can cause the motor to overheat.</p>		
P1236	<b>Compound braking current</b>	0 250 [0] %	2 12 ‘•’
	<p>Defines DC level superimposed on AC waveform. This form of braking becomes active following an OFF1 / OFF3 command.</p> <p>Increasing the value will generally improve braking performance; however, if you set the value too high, an overvoltage trip may result.</p> <p><b>Possible settings:</b></p> <p>0 = Compound braking disabled</p> <p>1 – 250 = Level of DC braking current defined as a % of motor rated current (P0305)</p>		

Parameter Number	Parameter Name	Min Max [Default] Units	◆P0003 User Access Level ◆P0004 Setting ◆Changeable ◆Status
P1300	<p><b>V/F &amp; FCC Control mode</b></p> <p>Controls the relationship between the speed of the motor and the voltage supplied by the inverter.</p> <p><b>Possible values</b></p> <p>0 = Linear V/f (default)                      1 = FCC(Flux Current Control) – maintains motor flux current for improved efficiency                      2 = Quadratic V/f – suitable for centrifugal fans/pumps                      3 = Multi-point V/f (programmable – in Expert Mode only.</p>	<p>0 3 [1] -</p>	<p>2 13</p>

Parameter Number	Parameter Name	Min Max [Default] Units	◆P0003 User Access Level ◆P0004 Setting ◆Changeable ◆Status
P1310	<p><b>Continuous boost</b></p> <p>Defines a level of boost to apply to both linear and quadratic V/f curves according to the following diagram</p>  <p>0      <math>V_{BOOST,100}</math> = voltage given by Rated Motor Current (P0305)</p> <p>1      * Stator Resistance (P0350)</p> <p><b>Notes</b></p> <ul style="list-style-type: none"> <li>◆ When using Continuous Boost P1310 together with other Boost Parameters (Acceleration Boost P1311 &amp; Starting Boost P1312) the Boost values are combined. However priorities are allocated to these parameters as follows :</li> <li>◆ P1310 &gt; P1311 &gt; P1312</li> <li>◆ The achievable boost value is limited by the setting in P0640.</li> <li>◆ Increasing the Boost Levels increases the heating of the motor especially at standstill.</li> <li>◆ <math>\Sigma \text{ Boosts} \leq 300 / I_{mot} * R_S</math></li> </ul>	0 250 [50] %	2 13 '•'

Parameter Number	Parameter Name	Min Max [Default] Units	◆P0003 User Access Level ◆P0004 Setting ◆Changeable ◆Status
<p><b>P1311</b></p>	<p><b>Acceleration boost</b></p> <p>Applies boost following a positive setpoint change and drops back out once the setpoint is reached. This can be useful to improve response to small positive setpoint changes.</p>  <p><b>Note</b></p> <ul style="list-style-type: none"> <li>• Increasing the Boost Levels increases the heating of the motor.</li> <li>• Refer to note in P1310 with respect to Boost priorities.</li> <li>• The achievable boost value is limited by the setting in P0640.</li> <li>• <math>\Sigma \text{ Boosts} \leq 300 / I_{\text{mot}} * R_S</math></li> </ul>	<p>0 250 [0] %</p>	<p>2 13 •</p>
<p><b>P1312</b></p>	<p><b>Starting boost</b></p> <p>Applies a constant linear offset to the active V/f curve (either linear or quadratic) after an ON command and is active until setpoint is reached for the 1<sup>st</sup> time. This is useful for starting loads with high inertia.</p> 	<p>0 250 [0] %</p>	<p>2 13 •</p>



Parameter Number	Parameter Name	Min Max [Default] Units	◆P0003 User Access Level ◆P0004 Setting ◆Changeable ◆Status																																																																																																
	<p><b>Notes</b></p> <p>Setting the Starting Boost too high will cause the inverter to go into Current Limit, which in turn restricts the output frequency to below the setpoint frequency.</p> <p>Increasing the Boost Levels increases the heating of the motor.</p> <p>Refer to note in P1310 with respect to Boost priorities.</p> <p>The achievable boost value is limited by the setting in P0640.</p> $\Sigma \text{ Boosts} \leq 300 / I_{\text{mot}} * R_S$																																																																																																		
P1335	<p><b>Slip compensation</b></p> <p>Adjusts the output frequency of the inverter dynamically, so that the motor speed is kept constant independent of the motor load.</p> <p>0% = Slip compensation disabled 100% = This uses the motor data and motor model such that rated slip frequency is added at rated motor speed and current.</p> <p><b>Note</b> The gain value can be adjusted if necessary to fine-tune the actual motor speed.</p>	0 600 [0] %	2 13 '•'																																																																																																
	<p><b>Slip limit</b></p> <p>Limits the compensation slip added to the frequency setpoint when slip compensation is active.</p>																																																																																																		
P1800	<p><b>Pulse frequency</b></p> <p>Sets the pulse frequency of the power switches in the inverter. The frequency can be changed in steps of 2 kHz.</p> <p>If silent operation is not absolutely necessary, it is possible to reduce inverter losses and radio-frequency emissions by selecting lower pulse frequencies.</p> <p>The maximum continuous motor current will be reduced if pulse frequencies &gt; 4kHz are selected on 380-480V units. The required derating is shown in the table below.</p> <p><b>Maximum continuous motor current (A) for 380-480V units</b></p> <table border="1"> <thead> <tr> <th>Inverter Power</th> <th>4 kHz</th> <th>6 kHz</th> <th>8 kHz</th> <th>10 kHz</th> <th>12 kHz</th> <th>14 kHz</th> <th>16 kHz</th> </tr> </thead> <tbody> <tr> <td>0.37</td> <td>1.2</td> <td>1.2</td> <td>1.2</td> <td>1.2</td> <td>1.2</td> <td>1.2</td> <td>1.1</td> </tr> <tr> <td>0.55</td> <td>1.6</td> <td>1.6</td> <td>1.6</td> <td>1.6</td> <td>1.6</td> <td>1.6</td> <td>1.1</td> </tr> <tr> <td>0.75</td> <td>2.1</td> <td>2.1</td> <td>2.1</td> <td>2.1</td> <td>1.6</td> <td>1.6</td> <td>1.1</td> </tr> <tr> <td>1.1</td> <td>3.0</td> <td>3.0</td> <td>2.7</td> <td>2.7</td> <td>1.6</td> <td>1.6</td> <td>1.1</td> </tr> <tr> <td>1.5</td> <td>4.0</td> <td>4.0</td> <td>2.7</td> <td>2.7</td> <td>1.6</td> <td>1.6</td> <td>1.1</td> </tr> <tr> <td>2.2</td> <td>5.9</td> <td>5.9</td> <td>5.1</td> <td>5.1</td> <td>3.6</td> <td>3.6</td> <td>2.6</td> </tr> <tr> <td>3</td> <td>7.7</td> <td>7.7</td> <td>5.1</td> <td>5.1</td> <td>3.6</td> <td>3.6</td> <td>2.6</td> </tr> <tr> <td>4</td> <td>10.2</td> <td>10.2</td> <td>6.7</td> <td>6.7</td> <td>4.8</td> <td>4.8</td> <td>3.6</td> </tr> <tr> <td>5.5</td> <td>13.2</td> <td>13.2</td> <td>13.2</td> <td>13.2</td> <td>9.6</td> <td>9.6</td> <td>7.5</td> </tr> <tr> <td>7.5</td> <td>18.4</td> <td>18.4</td> <td>13.2</td> <td>13.2</td> <td>9.6</td> <td>9.6</td> <td>7.5</td> </tr> <tr> <td>11</td> <td>26.0</td> <td>26.0</td> <td>17.9</td> <td>17.9</td> <td>13.5</td> <td>13.5</td> <td>10.4</td> </tr> </tbody> </table>	Inverter Power	4 kHz	6 kHz	8 kHz	10 kHz	12 kHz	14 kHz	16 kHz	0.37	1.2	1.2	1.2	1.2	1.2	1.2	1.1	0.55	1.6	1.6	1.6	1.6	1.6	1.6	1.1	0.75	2.1	2.1	2.1	2.1	1.6	1.6	1.1	1.1	3.0	3.0	2.7	2.7	1.6	1.6	1.1	1.5	4.0	4.0	2.7	2.7	1.6	1.6	1.1	2.2	5.9	5.9	5.1	5.1	3.6	3.6	2.6	3	7.7	7.7	5.1	5.1	3.6	3.6	2.6	4	10.2	10.2	6.7	6.7	4.8	4.8	3.6	5.5	13.2	13.2	13.2	13.2	9.6	9.6	7.5	7.5	18.4	18.4	13.2	13.2	9.6	9.6	7.5	11	26.0	26.0	17.9	17.9	13.5	13.5	10.4	2 16 [4] kHz	2 2 '•'
	Inverter Power	4 kHz	6 kHz	8 kHz	10 kHz	12 kHz	14 kHz	16 kHz																																																																																											
0.37	1.2	1.2	1.2	1.2	1.2	1.2	1.1																																																																																												
0.55	1.6	1.6	1.6	1.6	1.6	1.6	1.1																																																																																												
0.75	2.1	2.1	2.1	2.1	1.6	1.6	1.1																																																																																												
1.1	3.0	3.0	2.7	2.7	1.6	1.6	1.1																																																																																												
1.5	4.0	4.0	2.7	2.7	1.6	1.6	1.1																																																																																												
2.2	5.9	5.9	5.1	5.1	3.6	3.6	2.6																																																																																												
3	7.7	7.7	5.1	5.1	3.6	3.6	2.6																																																																																												
4	10.2	10.2	6.7	6.7	4.8	4.8	3.6																																																																																												
5.5	13.2	13.2	13.2	13.2	9.6	9.6	7.5																																																																																												
7.5	18.4	18.4	13.2	13.2	9.6	9.6	7.5																																																																																												
11	26.0	26.0	17.9	17.9	13.5	13.5	10.4																																																																																												

Parameter Number	Parameter Name	Min Max [Default] Units	◆P0003 User Access Level ◆P0004 Setting ◆Changeable ◆Status
	<p><b>Note</b></p> <p>Under certain circumstances, the inverter may reduce the switching frequency to provide protection against over-temperature (see P0290, Level 3).</p> <p>Minimum of pulse frequency depends on P1082 Max. frequency and P0310 Rated Motor frequency</p>		
P1820	<p><b>Reverse output phase sequence</b></p> <p>Changes direction of motor rotation without changing setpoint polarity.</p> <p><b>Possible values</b>                      0 = Normal                      1 = Reverse phase sequence.</p>	0 1 [0] -	2 2
P1910	<p><b>Select motor data identification</b></p> <p>Performs stator resistance measuring.</p> <p><b>Possible values:</b>                      0=No measurement – (P0350 setting will be used)                      1=Stator resistance measurement - (Overwrites P0350 setting)                      2=Stator resistance measurement. This does not overwrite the values already calculated.– (original P0350 setting will be used)</p> <p><b>Notes</b></p> <p>Motor data must be correctly entered before stator resistance measurement is initiated. Once enabled (P1910 =1) A0541 will be generated warning that the stator resistance measurement will be performed at next ON command.</p> <p>If setting 1 is selected, the manual/calculated value for the stator resistance (see P0350) is overwritten.</p> <p>If setting 2 is selected, the values already calculated are not overwritten.</p>	0 2 [0] -	2 3
r1912	<p><b>Identified stator resistance</b></p>	- - [-] Ohms	2 3
	<p>Displays measured stator resistance value (line-to-line) in Ohms (measured using P1910 = 1 or 2).</p>		
P2000	<p><b>Reference frequency</b></p>	1 650 [***] Hz	2 20
	<p>Full-scale frequency setting used by serial link, analog I/O. This corresponds to 4000H.</p>		

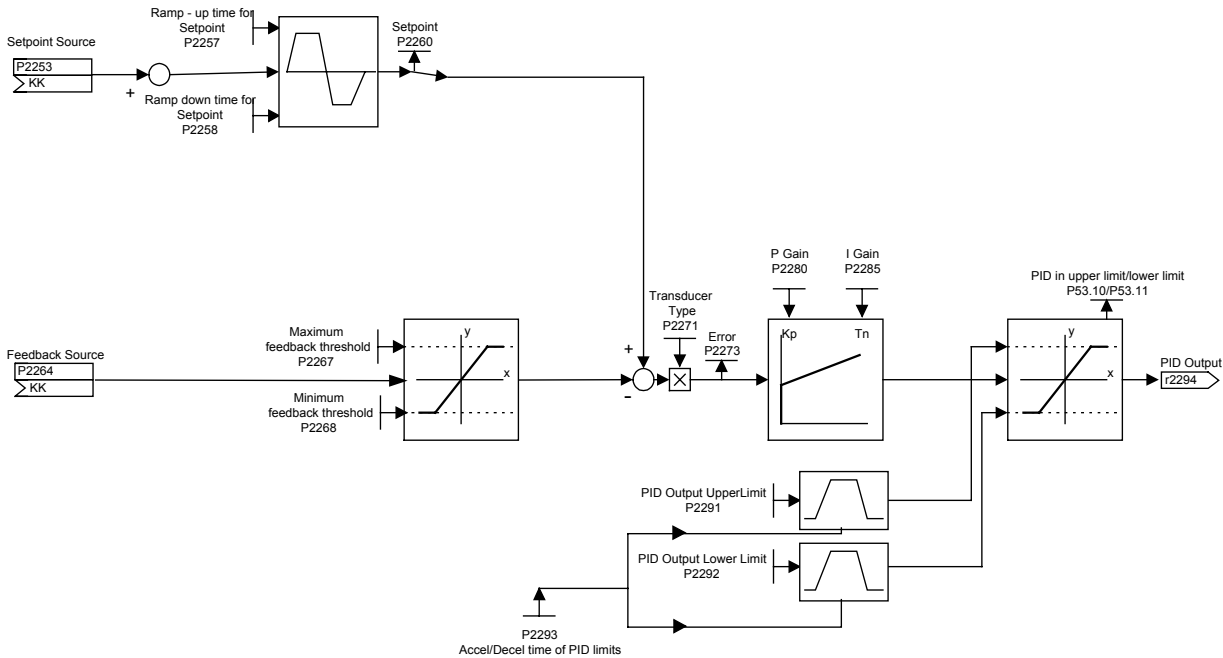
Parameter Number	Parameter Name	Min Max [Default] Units	◆P0003 User Access Level ◆P0004 Setting ◆Changeable ◆Status
P2010	<p><b>USS baud rate</b></p> <p>Defines baud rate to be used for USS communications.</p> <p><b>Index</b></p> <p>0 = USS2 = Comms Link (RS485) (Terminals 14, 15) 1 = USS1 = RS232 (using option)</p> <p><b>Possible settings:</b></p> <p>3 = 1200 baud 4 = 2400 baud 5 = 4800 baud 6 = 9600 baud 7 = 19200 baud 8 = 38400 baud 9 = 57600 baud</p>	3 9 [6] -	2 20 '•'
P2011	<p><b>USS address</b></p> <p>Sets a unique address for inverter.</p> <p>You can connect up to 31 inverters via the serial link and use the USS serial bus protocol to control them. This parameter sets a unique address for the inverter.</p> <p><b>Index</b></p> <p>0 = USS2 = Comms Link (RS485) (Terminals 14, 15) 1 = USS1 = RS232 (using option)</p>	0 31 [0] -	2 20 '•'
r2110	<p><b>Warning history</b></p> <p>Displays warning information.</p> <p>It is possible to view up to 2 active warnings (indices 0 and 1 and 2 historical warnings (indices 2 and 3))</p> <p><b>Note:</b> If a warning is active, the keypad will be flashing: the LED's indicate warning status. If an AOP is in use, the display shows active warning number and text.</p> <p>Indices 0 and 1 are not stored.</p>	- - [-] -	2 21

Parameter Number	Parameter Name	Min Max [Default] Units	◆P0003 User Access Level ◆P0004 Setting ◆Changeable ◆Status																																																																																								
r2197	<p><b>Connector: Statusword 1 of monitor</b></p> <p>Displays first active statusword of monitoring functions.</p> <p><b>[How to read Bit values on the display]</b></p> <table border="0" data-bbox="240 504 1050 1041"> <tr> <td>Bit 1</td> <td>"  n,filtered   &lt; n,2"</td> <td>0</td> <td>NO</td> </tr> <tr> <td></td> <td></td> <td>1</td> <td>YES</td> </tr> <tr> <td>Bit 2</td> <td>"  n,filtered   &gt; n,2"</td> <td>0</td> <td>NO</td> </tr> <tr> <td></td> <td></td> <td>1</td> <td>YES</td> </tr> <tr> <td>Bit 3</td> <td>"  n,filtered   &lt; n,3"</td> <td>0</td> <td>NO</td> </tr> <tr> <td></td> <td></td> <td>1</td> <td>YES</td> </tr> <tr> <td>Bit 4</td> <td>"  n,filtered   &gt; n,3"</td> <td>0</td> <td>NO</td> </tr> <tr> <td></td> <td></td> <td>1</td> <td>YES</td> </tr> <tr> <td>Bit 5</td> <td>"  n,set   &lt; n,min"</td> <td>0</td> <td>NO</td> </tr> <tr> <td></td> <td></td> <td>1</td> <td>YES</td> </tr> <tr> <td>Bit 6</td> <td>"n,set &gt; 0"</td> <td>0</td> <td>NO</td> </tr> <tr> <td></td> <td></td> <td>1</td> <td>YES</td> </tr> <tr> <td>Bit 7</td> <td>"Motor blocked"</td> <td>0</td> <td>NO</td> </tr> <tr> <td></td> <td></td> <td>1</td> <td>YES</td> </tr> <tr> <td>Bit 8</td> <td>"Motor stalled"</td> <td>0</td> <td>NO</td> </tr> <tr> <td></td> <td></td> <td>1</td> <td>YES</td> </tr> <tr> <td>Bit 9</td> <td>"  I,act   &lt; I,thresh"</td> <td>0</td> <td>NO</td> </tr> <tr> <td></td> <td></td> <td>1</td> <td>YES</td> </tr> <tr> <td>Bit A</td> <td>"  T,actNoAcc   &gt; T,thresh"</td> <td>0</td> <td>NO</td> </tr> <tr> <td></td> <td></td> <td>1</td> <td>YES</td> </tr> <tr> <td>Bit b</td> <td>"  T,act   &gt; T,thresh"</td> <td>0</td> <td>NO</td> </tr> <tr> <td></td> <td></td> <td>1</td> <td>YES</td> </tr> </table>	Bit 1	"  n,filtered   < n,2"	0	NO			1	YES	Bit 2	"  n,filtered   > n,2"	0	NO			1	YES	Bit 3	"  n,filtered   < n,3"	0	NO			1	YES	Bit 4	"  n,filtered   > n,3"	0	NO			1	YES	Bit 5	"  n,set   < n,min"	0	NO			1	YES	Bit 6	"n,set > 0"	0	NO			1	YES	Bit 7	"Motor blocked"	0	NO			1	YES	Bit 8	"Motor stalled"	0	NO			1	YES	Bit 9	"  I,act   < I,thresh"	0	NO			1	YES	Bit A	"  T,actNoAcc   > T,thresh"	0	NO			1	YES	Bit b	"  T,act   > T,thresh"	0	NO			1	YES	<p>-</p> <p>-</p> <p>[-]</p> <p>-</p>	<p>2</p> <p>21</p>
Bit 1	"  n,filtered   < n,2"	0	NO																																																																																								
		1	YES																																																																																								
Bit 2	"  n,filtered   > n,2"	0	NO																																																																																								
		1	YES																																																																																								
Bit 3	"  n,filtered   < n,3"	0	NO																																																																																								
		1	YES																																																																																								
Bit 4	"  n,filtered   > n,3"	0	NO																																																																																								
		1	YES																																																																																								
Bit 5	"  n,set   < n,min"	0	NO																																																																																								
		1	YES																																																																																								
Bit 6	"n,set > 0"	0	NO																																																																																								
		1	YES																																																																																								
Bit 7	"Motor blocked"	0	NO																																																																																								
		1	YES																																																																																								
Bit 8	"Motor stalled"	0	NO																																																																																								
		1	YES																																																																																								
Bit 9	"  I,act   < I,thresh"	0	NO																																																																																								
		1	YES																																																																																								
Bit A	"  T,actNoAcc   > T,thresh"	0	NO																																																																																								
		1	YES																																																																																								
Bit b	"  T,act   > T,thresh"	0	NO																																																																																								
		1	YES																																																																																								
P2200	<p><b>BI: Enable PI controller</b></p> <p>PI mode Allows the User to Enable/Disable the PI controller</p> <p><b>Possible settings:</b></p> <table border="0" data-bbox="240 1249 507 1301"> <tr> <td>0</td> <td>=</td> <td>Disabled</td> </tr> <tr> <td>1</td> <td>=</td> <td>Enabled</td> </tr> </table> <p><b>Note 1</b> The PI closed loop controller can be enabled by the setting 1 with this function.</p> <p>Once the PI controller is enabled, the normal ramp times set in P1120 and P1121 are automatically disabled, as are the normal frequency setpoints. However, following an OFF1 or OFF 3 command the inverter output frequency will be ramped to zero using the ramp time set in P1121 (P1135 for OFF3).</p> <p><b>Note 2</b> The PI setpoint source is selected using P2253. The PI setpoint and PI feedback signal are interpreted as % values (not Hz). The output of the PI controller is displayed as a percentage and then normalized into Hz through P2000 when PI is enabled.</p> <p><b>Note 3</b> The minimum and maximum motor frequencies (P1080 and P1082) as well as the skip frequencies (P1091 to P1094) are still active on the inverter output. However enabling skip frequencies with P1 control can lead to instabilities.</p> <p><b>Note 4</b> In level 3, the PI controller source enable can also come from the digital inputs in settings 722.0 to 722.2 for DIN1 – DIN3 or any other BICO source.</p>	0	=	Disabled	1	=	Enabled	<p>0</p> <p>2197.F</p> <p>[0]</p> <p>-</p>	<p>2</p> <p>22</p> <p>'•'</p>																																																																																		
0	=	Disabled																																																																																									
1	=	Enabled																																																																																									

Parameter Number	Parameter Name	Min Max [Default] Units	◆P0003 User Access Level ◆P0004 Setting ◆Changeable ◆Status	
P2201	<b>Fixed PI setpoint 1</b>	-130 130 [0] %	2 22 '.'	
	Defines the Fixed PI Setpoint 1			
	In user access level 2 you will need to set P2200 to enable the setpoint source. In addition you can set any of the digital input parameters to fixed PI setpoint via the digital inputs (P0701 – P0703.)			
	There are three modes of selection for the PI fixed setpoint.			
	<b>1 Direct selection (P0701 = 15 or P0702 = 15, etc)</b>			
	In this mode of operation 1 digital input selects 1 fixed PI fixed setpoint.			
	If several inputs are programmed to PI fixed setpoint and selected together, the selected setpoints are summed.			
	To start the motor (enable pulses), an ON command is needed either from the keypad or from the digital inputs or USS in this mode.			
	<b>2 Direct selection with ON Command (P0701 = 16 or P0702 = 16, etc)</b>			
	Description as for 1), except that this type of selection issues an ON command coincident with any setpoint selection.			
<b>Note</b>				
You may mix different types of fixed frequencies; remember, however, they will be summed if selected together.				
<b>3 Binary Coded Decimal selection P0701 – P0703 = 17</b>				
Using this PI fixed point selection method it is possible to choose up to 7 different PI setpoints. The setpoints are selected according to the following table:				
		DIN3	DIN2	DIN1
	OFF	Inactive	Inactive	Inactive
P2201	FS. 1	Inactive	Inactive	Active
P2202	FS. 2	Inactive	Active	Inactive
P2203	FS. 3	Inactive	Active	Active
P2204	FS. 4	Active	Inactive	Inactive
P2205	FS. 5	Active	Inactive	Active
P2205	FS. 6	Active	Active	Inactive
P2207	FS. 7	Active	Active	Active
P2202	<b>Fixed setpoint 2</b>	-130 130 [10] %	2 22 '.'	
	Refer to the description in P2201 for Fixed Setpoint 1.			
P2203	<b>Fixed setpoint 3</b>	-130 130 [20] %	2 22 '.'	
	Refer to the description in P2201 for Fixed Setpoint 1.			
P2204	<b>Fixed setpoint 4</b>	-130 130 [30] %	2 22 '.'	
	Refer to the description in P2201 for Fixed Setpoint 1.			

Parameter Number	Parameter Name	Min Max [Default] Units	◆P0003 User Access Level ◆P0004 Setting ◆Changeable ◆Status
P2205	<b>Fixed setpoint 5</b>	-130 130 [40] % -	2 22 '.'
	Refer to the description in P2201 for Fixed Setpoint 1.		
P2206	<b>Fixed setpoint 6</b>	-130 130 [50] % -	2 22 '.'
	Refer to the description in P2201 for Fixed Setpoint 1.		
P2207	<b>Fixed setpoint 7</b>	-130 130 [60] % -	2 22 '.'
	Refer to the description in P2201 for Fixed Setpoint 1.		
r2224	<b>Connector: Fixed PI Setpoint</b>	-130 130 [60] % -	2 22
	Displays the total output of the PI fixed setpoint selection.		
P2231	<b>Setpoint Memory of the Motorized Potentiometer (Keypad Setpoint)</b>	0 1 [0] -	2 22 '.'
	0 = setpoint memory disabled. 1 = setpoint memory enabled.  If 0 is selected, the setpoint returns to the value set in P2240 after an OFF command. If 1 is selected the active setpoint is remembered and P2240 is updated with the current value. Refer to P2240.		
P2232	<b>Inhibit keypad (Motorized Potentiometer) setpoint reverse direction</b>	0 1 [1] -	2 10
	Inhibits the reverse setpoint selection when keypad (Motorized Potentiometer) is chosen either as main setpoint or additional setpoint (using P1000)  <b>Possible settings:</b> 0 Reverse direction is allowed – it is possible to change motor direction using the keypad (Motorized Potentiometer) setpoint (increase / decrease frequency either by using digital inputs or keypad up / down buttons) 1 Reverse direction inhibited		
P2240	<b>Keypad (Motorized Potentiometer) Setpoint</b>	-130 130 [10.00] % -	2 22 '.'
	Allows the user to set a digital PI setpoint in %. The setpoint can be changed either by using the Δ∇ keys on the BOP or by setting P0702 or P0703 to 13 and 14.		
r2250	<b>Active Digital PI output setpoint</b>	-130 130 [10.00] % -	2 22 '.'
	Displays the active digital PI setpoint in %.		
P2253	<b>Source: PI setpoint</b>	0 2248.0 [0] -	2 22 '.'

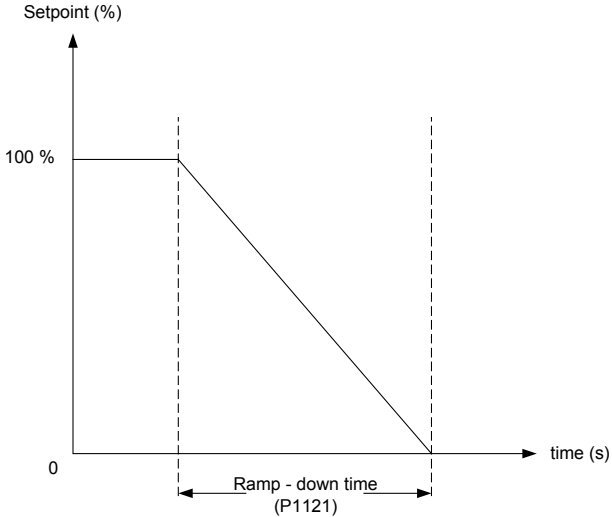
Parameter Number	Parameter Name	Min Max [Default] Units	◆ P0003 User Access Level ◆ P0004 Setting ◆ Changeable ◆ Status
------------------	----------------	----------------------------------	--



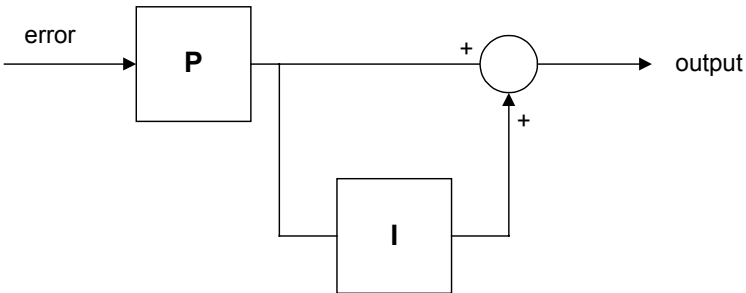
Parameter P2253 allows the user to select the source of the PI setpoint. Normally a digital PI setpoint is selected using either a Fixed PI setpoint or an active setpoint. The most common settings are as follows:

- 755 = Analog input 1
- 2224 = Fixed PI setpoint (see P2201 to P2207)
- 2250 = Active PI setpoint (see P2240)

<p><b>P2257</b></p>	<p><b>Ramp up time for PI setpoint</b></p> <p>Sets the ramp up time for the PI setpoint.</p> <p>Setting the ramp – up time too short may cause the inverter to trip, on overcurrent for example.</p> <p><b>Note.</b> If PI control is enabled, the normal ramp-up time (P1120) is disabled. The PI ramp time is only effective on the PI setpoint and only active when the PI setpoint is changed, or when a RUN command is given (when the PI uses this ramp to reach its value from 0%).</p>	<p>0 650 [1] s</p>	<p>2 22 '•'</p>
---------------------	--	--------------------------------	-------------------------

Parameter Number	Parameter Name	Min Max [Default] Units	◆P0003 User Access Level ◆P0004 Setting ◆Changeable ◆Status
P2258	<p><b>Ramp down time for PI setpoint</b></p> <p>Sets the ramp-down time for the PI setpoint.</p>  <p>Setting the ramp down time too short can cause the inverter to trip on (overvoltage (F0002)/overcurrent (F0001))</p> <p><b>Note</b> If PI control is enabled, the normal ramp-down time (P1121) is disabled.</p> <p>The PI setpoint ramp is only enabled effective on PI setpoint changes. The ramp times used after OFF1 &amp; OFF3 are defined in P1121 and P1135 respectively</p>	0 650 [1] s	2 22 '.'
r2260	<p><b>Connector: PI setpoint</b></p> <p>Displays the total active PI setpoint in %.</p>	- - [-] %	2 22
P2264	<p><b>Source: PI feedback</b></p> <p>Selects the source of the PI feedback signal. The most common settings are as follows:</p> <p>755 = Analog input 1</p> <p><b>Note 1</b> When the analog input is selected, it is possible to implement offset and gain using parameters P756 – P760.</p> <p><b>Note 2</b> Refer to “Using BICO” description for further details of other settings.</p>	0 2294.0 [755] -	2 22 '.'
P2265	<p><b>PI feedback filter time constant</b></p> <p>Defines PI feedback filter time constant.</p>	0 60 [0] s	2 22 '.'
r2266	<p><b>Connector: PI feedback</b></p> <p>Displays PI feedback signal</p>	- - [-] %	2 22



Parameter Number	Parameter Name	Min Max [Default] Units	◆P0003 User Access Level ◆P0004 Setting ◆Changeable ◆Status
P2271	<p><b>PI transducer type</b></p> <p>Allows the User to select the PI feedback signal Transducer type.</p> <p>0: = [default] if the feedback signal is less than the PI setpoint the PI controller will increase motor speed to correct this</p> <p>1: = if the feedback signal is less than the PI setpoint the PI controller will reduce motor speed to correct this</p> <p><b>Note</b></p> <p>It is very important that the transducer type is correctly selected. If you are unsure that it should be either 0 or 1 you can determine the actual type as follows:</p> <p>Disable the PI function (P2200 = 0). Increase the motor frequency while measuring the feedback signal. If the feedback signal increases with an increase in motor frequency the transducer type should be 0.</p> <p>If the signal decreases with an increase in motor frequency the transducer type should be set to 1.</p>	0 1 [0] -	2 22 '•'
r2272	<p><b>Connector: PI Scaled feedback signal</b></p>	- - [-] %	2 22
r2273	<p><b>Connector: PI error</b></p> <p>Displays the PI error (difference) signal between the setpoint and feedback signals in percent.</p>	- - [-] %	2 22
P2280	<p><b>PI proportional gain</b></p> <p>Allows the User to set the proportional gain of the PI controller.</p> <p>The PI controller on MM420 is implemented using the standard model:</p>  <p>Best results are usually obtained if both P and I terms are enabled. If the system is liable to sudden step changes in feedback signal, the P term should usually be set to a small value (L 0.5) with a faster I term for optimum performance.</p> <p>If the P term is set to 0 the I term acts on the square of the error signal.</p>	0 125 [3] -	2 22 '•'
P2285	<p><b>PI integral time</b></p> <p>Allows the User to set the PI controller integral time constant.</p> <p>Refer to P2280 above for detail.</p>	0 100 [0] s	2 22 '•'

Parameter Number	Parameter Name	Min Max [Default] Units	◆P0003 User Access Level ◆P0004 Setting ◆Changeable ◆Status
P2291	<b>PI upper limit</b>	0 200 [100] %	2 22 '•'
	Sets upper limit for the output of the PI controller.		
	<b>Note</b> The default figure of 100% is defined by P2000. If F max (P1082) is greater than P2000, either P2000 or P2291 must be changed to achieve F max.		
P2292	<b>PI output lower limit</b>	-200 200 [0] %	2 22 '•'
	Allows the User to set the lower limit for the output of the PI controller. A negative value allows bipolar operation of the PI controller.		
r2294	<b>Connector: PI output</b>	-250 250 [-] %	2 22
	Displays the output of the PI controller in %.		
P3900	<b>End Quick Commissioning</b>	0 2 [0] -	1 1 '↔'
	<p>Performs calculations necessary for optimal motor operation</p> <p><b>Possible settings:</b></p> <ul style="list-style-type: none"> <li>0 No Calculation – User MUST manually set P0010=0</li> <li>1 End Quick Commissioning - with factory reset of parameters and I/O settings not in Quick Commissioning group (P0010=1) - see note 1</li> <li>2 End Quick Commissioning with reset of I/O settings only – see note 2 below</li> <li>3 End Quick Commissioning, performing motor calculations only</li> </ul> <p>After completion of the Calculations, P3900 is also reset to its original value 0.</p> <p><b>Note 1</b> When setting 1 is selected, it causes the loss of all other parameter changes, except the parameters from the commissioning menu "Quick commissioning" – this includes the I/O settings. Motor calculations are also performed.</p> <p><b>Note 2</b> When setting 2 is selected, only the parameters which depend on the parameters in the commissioning menu "Quick commissioning" (P0010=1) are calculated. Also the I/O settings are reset to default. Motor calculations are also performed.</p> <p><b>Note 3</b> When setting 3 is selected, only the motor parameters are performed as shown in note 5.</p> <p><b>Note 4</b> This parameter can only be changed when P0010=1</p> <p><b>Note 5</b> Calculates a variety of motor parameters – overwriting previous values, including P0344 (motor weight), P0350 (Level 3) stator resistance), P0346 (Level 3, magnetization time) and P0347 ((Level 3 demagnetization time), P2000 (reference frequency), P2002 (reference current).</p>		

## 6 Troubleshooting

### This Chapter contains:

- ◆ An overview of the inverter states indicated by the LEDs on the Status Display Panel supplied as standard with your inverter
- ◆ Some general information on a variety of troubleshooting measures.
- ◆ A list of the fault codes that may appear on the display of the BOP. The cause and recommended corrective action are indicated for each fault code listed.

6.1	Troubleshooting with the Status Display Panel.....	100
6.2	Troubleshooting with the Basic Operator Panel.....	100
6.3	MICROMASTER 420 fault codes .....	102



### Warnings

- ◆ Repairs on equipment may only be carried out by **Siemens Service**, by repair centers **authorized by Siemens** or by qualified personnel who are thoroughly acquainted with all the warnings and operating procedures contained in this manual.
- ◆ Any defective parts or components must be replaced using parts contained in the relevant spare parts list.
- ◆ Disconnect the power supply before opening the equipment for access

## 6.1 Troubleshooting with the Status Display Panel

Table 6-1 explains the meaning of the various states of the LEDs on the Status Display Panel (SDP).

Table 6-1 Inverter conditions indicated by the LEDs on the SDP

LEDs		Priority Display	Inverter Status Definitions
Green	Yellow		
OFF	OFF	1	Mains not present
OFF	ON	8	Inverter fault – other than those listed below
ON	OFF	13	Inverter running
ON	ON	14	Ready to run – standby
OFF	Flashing – R1	4	Fault – Overcurrent
Flashing – R1	OFF	5	Fault – Overvoltage
Flashing – R1	ON	7	Fault – Motor Overtemperature
ON	Flashing – R1	8	Fault – Inverter Overtemperature
Flashing – R1	Flashing – R1	9	Warning Current Limit (both LEDs flashing at the same time)
Flashing – R1	Flashing – R1	11	Other warning (both LEDs alternate flashing)
Flashing – R1	Flashing – R2	6/10	Undervoltage trip/Undervoltage warning
Flashing – R2	Flashing – R1	12	Inverter is not in ready state – display >0
Flashing – R2	Flashing – R2	2	ROM failure (both LEDs flashing at the same time)
Flashing – R2	Flashing – R2	3	RAM failure (both LEDs alternate flashing)
<b>R1 – On time 900 milliseconds</b>		<b>R2 – On time 300 milliseconds</b>	

## 6.2 Troubleshooting with the Basic Operator Panel

If the display shows a fault or warning code, please refer to Section 6.3 and the following MM420 Fault Codes.

If the motor fails to start when the ON command has been given:

- Check that P0010 = 0.
- Check that a valid ON signal is present.
- Check that P0700 = 2 (for digital input control) or P0700 = 1 (for BOP control).
- Check that the setpoint is present (0 to 10V on Terminal 3) or the setpoint has been entered into the correct parameter, depending upon the setpoint source (P1000). See Section 5.3 on page 66.

If the motor fails to run after changing the parameters, set P0010 = 30 then P0970 = 1 and press **P** to reset the inverter to the factory default parameter values.

Now use a switch between terminals **5** and **8** on the control board. The drive should now run to the defined setpoint by analogue input.

### 6.3 MICROMASTER 420 fault codes

In the event of a failure, the inverter switches off and a fault code appears on the display.

Table 6-2 MICROMASTER 420 Fault Codes

Fault Code	Description	Possible Causes	Diagnosis & Remedy
F0001	Overcurrent	<ol style="list-style-type: none"> <li>1. Motor power does not correspond to the inverter power.</li> <li>2. Motor lead short circuit</li> <li>3. Earth fault</li> </ol>	<ol style="list-style-type: none"> <li>1. Check whether the motor power corresponds to the inverter power.</li> <li>2. Check that the cable length limits have not been exceeded.</li> <li>3. Check motor cable and motor for short-circuits and earth faults.</li> <li>4. Check whether the motor parameters correspond with the motor being used.</li> <li>5. Check the stator resistance (P0350).</li> <li>6. Increase the ramp-up-time (P1120).</li> <li>7. Reduce the boost set in (P1310), (P1311) and (P1312).</li> <li>8. Check whether the motor is obstructed or overloaded.</li> </ol>
F0002	Overvoltage	Supply voltage out of tolerance load is regenerating.	<ol style="list-style-type: none"> <li>1. Check whether the supply voltage is within the limits indicated on the rating plate.</li> <li>2. Check if dc-link voltage controller (P1240) is enabled and parameterized correctly.</li> <li>3. Increase the ramp-down time (P1121).</li> </ol>
F0003	Undervoltage	Mains supply removed when inverter is running.	<ol style="list-style-type: none"> <li>1. Check whether the supply voltage is within the limits indicated on the rating plate.</li> <li>2. Check the supply is not subject to temporary failures or voltage reductions.</li> </ol>
F0004	Inverter Overtemperature	<p>Ambient temperature outside of limits,</p> <p>Fan failure</p>	<ol style="list-style-type: none"> <li>1. Check that the integral fan rotates when drive is running.</li> <li>2. Check if pulse frequency is set to default value.</li> <li>3. Ambient temperature could be higher than specified for the inverter.</li> <li>4. Check that air inlet and outlet points are not obstructed.</li> </ol>
F0005	Inverter I <sup>2</sup> T	Inverter is overloaded	<ol style="list-style-type: none"> <li>1. Check if load duty-cycle is within specified limits.</li> <li>2. Check that motor power corresponds to inverter power</li> </ol>
F0011	Motor Overtemperature I <sup>2</sup> T	<ol style="list-style-type: none"> <li>1. Motor overloaded.</li> <li>2. Motor data incorrect.</li> <li>3. Check parameter for motor thermal time constant.</li> <li>4. Check parameter for motor I<sup>2</sup>t warning level.</li> <li>5. Long time period operating at low speeds</li> </ol>	<ol style="list-style-type: none"> <li>1. Check motor data.</li> <li>2. Check loading on motor.</li> <li>3. Boost settings too high (P1310, P1311, P1312)</li> </ol>
F0041	Stator resistance measurement failure	Stator resistance measurement failure	<ol style="list-style-type: none"> <li>1. Check if the motor is connected to the inverter</li> <li>2. Check that the motor data has been entered correctly.</li> </ol>

Fault Code	Description	Possible Causes	Diagnosis & Remedy
F0051	Parameter EEPROM Fault	Reading or writing of the non-volatile parameter storage has failed.	1. Factory reset and new parameterization. 2. Change inverter.
F0052	Powerstack Fault	Reading of the powerstack information has failed or the data is invalid	Change inverter.
F0060	Asic Timeout	Software error	1. Acknowledge fault 2. Change inverter if repeated.
F0070	Communications board setpoint error	No setpoint received from communications board during telegram off time	1. Check connections to the communications board. 2. Check the master
F0071	No Data for USS (RS232 link) during Telegramm Off Time	No response during telegram off time	1. Check connections to the communications board. 2. Check the master
F0072	No Data from USS (RS485 link) during Telegram Off Time	No response during telegram off time	1. Check connections to the communications board. 2. Check the master
F0080	Analogue input - lost input signal	Analogue input - lost input signal	Check connection to analogue input
F0085	External Fault	External fault is triggered via terminal inputs	Disable terminal input for fault trigger.
F0101	Stack Overflow	Software error or processor failure	1. Run self test routines. 2. Change inverter
F0221	PI Feedback below minimum value	PI Feedback below minimum value P2268	1. Change value of P2268. 2. Adjust feedback gain.
F0222	PI Feedback above maximum value	PI Feedback above maximum value P2267	1. Change value of P2268. 2. Adjust feedback gain.
F0450 (Service mode only)	BIST Tests Failure	Fault value 1 - Some of the power section tests have failed 2 - Some of the control board tests have failed 4 - Some of the functional tests have failed 8 - Some of the IO module tests have failed. Vector only 16 - The Internal Ram has failed its check on power-up	1. Inverter may run but certain actions will not function correctly. 2. Replace inverter.

Table 6-3 MICROMASTER 420 Warning Codes

Warning Code	Description	Possible Cause	Diagnosis & Remedy
A0501	Current Limit		<ol style="list-style-type: none"> <li>1. Check whether the motor power corresponds to the inverter power.</li> <li>2. Check that the cable length limits have not been exceeded.</li> <li>3. Check motor cable and motor for short-circuits and earth faults.</li> <li>4. Check whether the motor parameters correspond with the motor being used.</li> <li>5. Check the stator resistance.</li> <li>6. Increase the ramp-up-time.</li> <li>7. Reduce the boost.</li> <li>8. Check whether the motor is obstructed or overloaded.</li> </ol>
A0502	Overvoltage limit	<p>Mains supply too high, Load regenerative Ramp-down time too short</p>	<ol style="list-style-type: none"> <li>1. Check that mains supply voltage is within allowable range</li> <li>2. Increase ramp down times</li> </ol> <p>Note: Vdc-max controller is active, ramp-down times will be automatically increased.</p>
A0503	UnderVoltage Limit	<p>Mains supply too low Short mains interruption</p>	Ensure that mains supply voltage remains within allowable range
A0504	Inverter Overtemperature	Warning level of inverter heat-sink temperature is exceeded, resulting in pulse frequency reduction and/or output frequency reduction (depending on parameterization)	<ol style="list-style-type: none"> <li>1. Check if ambient temperature is within specified limits.</li> <li>2. Check load conditions and duty cycle.</li> <li>3. Check if fan is turning when drive is running.</li> </ol>
A0505	Inverter I <sup>2</sup> T	Warning level is exceeded; current will be reduced if parameterized.	Check if duty cycle is within specified limits.
A0506	Inverter Duty Cycle	Heatsink temperature and thermal junction model are outside of allowable range	Check if duty cycle are within specified limits.
A0511	Motor Overtemperature I <sup>2</sup> T	Motor possibly overloaded.	<ol style="list-style-type: none"> <li>1. Check parameter for motor thermal time constant.</li> <li>2. Check parameter for motor I<sup>2</sup>T warning level.</li> <li>3. Check if long periods of operation at low speed are occurring</li> <li>4. Check that boost settings are not too high</li> </ol>
A0600	Real Time Operating System Overrun Warning	Software error	Contact Siemens
A0700	CB Warning 1 – see CB manual for details	Communication Board specific	See CB User Manual
A0701	CB Warning 2 – see CB manual for details	Communication Board specific	See CB User Manual
A0702	CB Warning 3 – see CB manual for details	Communication Board specific	See CB User Manual
A0703	CB Warning 4 – see CB manual for details	Communication Board specific	See CB User Manual
A0704	CB Warning 5 – see CB manual for details	Communication Board specific	See CB User Manual
A0705	CB Warning 6 – see CB manual for details	Communication Board specific	See CB User Manual



Warning Code	Description	Possible Cause	Diagnosis & Remedy
A0706	CB Warning 7 – see CB manual for details	Communication Board specific	See CB User Manual
A0707	CB Warning 8 – see CB manual for details	Communication Board specific	See CB User Manual
A0708	CB Warning 9 – see CB manual for details	Communication Board specific	See CB User Manual
A0709	CB Warning 10 – see CB manual for details	Communication Board specific	See CB User Manual
A0710	CB Communications Error	Communication with CB (communication board) is lost.	Check CB Hardware.
A0711	CB Configuration Error	CB (communication board) reports configuration error	Check CB parameters.
A0910	Vdc-max Controller De-activated.	Vdc-max controller has been de-activated.	Check parameter inverter input voltage.
A0911	Vdc-max Controller active	Ramp-down times are being extended to prevent overvoltage trips and to keep the DC link voltage within acceptable limits	1. Check parameter inverter input voltage. 2. Check ramp-down times.
A0920	Analogue input parameters are not set correctly.	Incorrect parameterization of analogue input parameters	Analogue input parameters should not be set to the same value as each other.
A0921	Analogue Output Parameters are not set correctly.		Analogue Output parameters should not be set to the same value as each other
A0922	No load applied to inverter.	Output current lower than expected.  Low output voltage eg when 0 boost applied at 0Hz	1. Check that load is applied to the inverter. 2. Check motor parameters correspond to motor attached. 3. As a result, some functions may not work correctly, because there is no normal load condition.
A0923	JOG right and JOG left signals active	JOG right and JOG left signals active together	Make sure that JOG right and JOG left signals are not applied simultaneously



# 7 MICROMASTER 420 Specifications

Table 7-1 MICROMASTER 420 Specifications

## 230 V Single Phase MICROMASTER Inverters (with built in Class A Filter)

Order No. (6SE6420-2AB)	11-2AA0	12-5AA0	13-7AA0	15-5AA0	17-5AA0	21-1BA0	21-5BA0	22-2BA0	23-0CA0	
Input voltage range	1AC 200V - 240V +10% -10%									
Motor output rating kW (hp)	0.12 (0.16)	0.25 (0.33)	0.37 (0.5)	0.55 (0.75)	0.75 (1)	1.1 (1.5)	1.5 (2)	2.2 (3)	3 (4)	
Output KVA	0.4	0.7	1	1.3	1.7	2.4	3.2	4.6	6	
Output current Max. A	0.9	1.7	2.3	3	3.9	5.5	7.4	10.4	13.6	
Input current A	2	4	5.5	7.5	9.9	14.4	19.6	26.4	35.5	
Input cable Min. mm <sup>2</sup> (awg)	1 (17)					2.5 (13)		4 (11)	6 (9)	
Input cable Max. mm <sup>2</sup> (awg)	2.5 (13)					6 (9)			10 (7)	
Output cable Min. mm <sup>2</sup> (awg)	1 (17)								1.5 (15)	
Output cable Max. mm <sup>2</sup> (awg)	2.5 (13)					6 (9)			10 (7)	
Dimensions [w x h x d] mm (inches)	73x173x149 (2.87x6.81x5.87)					149x202x172 (5.87x7.95x6.77)			185x245x195 (7.28x9.65x7.68)	
Weight kg (lbs)	1.2 (2.6)			1.3 (2.9)		3.3 (7.3)	3.6 (7.9)		5.2 (11.4)	

## 230 V Three Phase MICROMASTER Inverters (with built in Class A Filter)

Order No. (6SE6420-2AC)	23-0CA0	24-0CA0	25-5CA0
Input voltage range	3AC 200V - 240V +10% -10%		
Motor output rating kW (hp)	3 (4)	4 (5)	5.5 (7.5)
Output KVA	6	7.7	9.6
Output current Max. A	13.6	17.5	22
Input current A	15.6	19.7	26.3
Input cable Min. mm <sup>2</sup> (awg)	2.5 (13)	2.5 (13)	4 (11)
Input cable Max. mm <sup>2</sup> (awg)	10 (7)	10 (7)	10 (7)
Output cable Min. mm <sup>2</sup> (awg)	1.5 (15)	2.5 (13)	4 (11)
Output cable Max. mm <sup>2</sup> (awg)	10 (7)	10 (7)	10 (7)
Dimensions [w x h x d] mm (inches)	185x245x195 (7.28x9.65x7.68)		
Weight kg (lbs)	5.2 (11.4)	5.7 (12.5)	5.7 (12.5)

## 230 V Single/Three Phase MICROMASTER Inverters (unfiltered)

Order No. (6SE6420-2UC)	11-2AA0	12-5AA0	13-7AA0	15-5AA0	17-5AA0	21-1BA0	21-5BA0	22-2BA0	23-0CA0	
Input voltage range	1/3AC 200V - 240V +10% -10%									
Motor output rating kW (hp)	0.12 (0.16)	0.25 (0.33)	0.37 (0.5)	0.55 (0.75)	0.75 (1)	1.1 (1.5)	1.5 (2)	2.2 (3)	3 (4)	
Output KVA	0.4	0.7	1	1.3	1.7	2.4	3.2	4.6	6	
Output current Max. A	0.9	1.7	2.3	3	3.9	5.5	7.4	10.4	13.6	
Input current A	0.7 (2 1AC)	1.7 (4 1AC)	2.4 (5.5 1AC)	3.1 (7.5 1AC)	4.3 (9.9 1AC)	6.2 (14.4 1AC)	8.3 (19.6 1AC)	11.3 (26.4 1AC)	15.6 (35.5 1AC)	
Input cable Min. mm <sup>2</sup> (awg)	1 (17)								2.5 (13)	
Input cable Max. mm <sup>2</sup> (awg)	2.5 (13)					6 (9)		10 (7)		
Output cable Min. mm <sup>2</sup> (awg)	1 (17)								1.5 (15)	
Output cable Max. mm <sup>2</sup> (awg)	2.5 (13)					6 (9)			10 (7)	
Dimensions [w x h x d] mm (inches)	73x173x149 (2.87x6.81x5.87)					149x202x172 (5.87x7.95x6.77)			185x245x195 (7.28x9.65x7.68)	
Weight kg (lbs)	1.2 (2.6)					2.9 (6.4)	2.9 (6.4)	3.1 (6.8)	5.2 (11.4)	

230 V Three Phase MICROMASTER Inverters (unfiltered)

Order No. (6SE6420-2UC)	24-0CA0	25-5CA0
Input voltage range	3AC 200V - 240V +10% -10%	
Motor output rating kW (hp)	4 (5)	5.5 (7.5)
Output KVA	7.7	9.6
Output current Max. A	17.5	22
Input current A	19.7	26.3
Input cable Min. mm <sup>2</sup> (awg)	2.5 (13)	4 (11)
Input cable Max. mm <sup>2</sup> (awg)	10 (7)	10 (7)
Output cable Min. mm <sup>2</sup> (awg)	2.5 (13)	4 (11)
Output cable Max. mm <sup>2</sup> (awg)	10 (7)	10 (7)
Dimensions [w x h x d] mm (inches)	185x245x195 (7.28x9.65x7.68)	
Weight kg (lbs)	5.5 (12.1)	5.5 (12.1)

400 V Three Phase MICROMASTER Inverters (with built in Class A Filter)

Order No. (6SE6420-2AD)	22-2BA0	23-0BA0	24-0BA0	25-5CA0	27-5CA0	31-1CA0
Input voltage range	3AC 380V - 480V +10% -10%					
Motor output rating kW (hp)	2.2 (3)	3 (4)	4 (5)	5.5 (7.5)	7.5 (10)	11 (15)
Output KVA	4.5	5.9	7.8	10.1	14	19.8
Output current Max. A	5.9	7.7	10.2	13.2	18.4	26
Input current A	7.5	10	12.8	17.3	23.1	33.8
Input cable Min. mm <sup>2</sup> (awg)	1 (17)	1 (17)	1.5 (15)	2.5 (13)	4 (11)	6 (9)
Input cable Max. mm <sup>2</sup> (awg)	6 (9)			10 (7)		
Output cable Min. mm <sup>2</sup> (awg)	1 (17)			1.5 (15)	2.5 (13)	4 (11)
Output cable Max. mm <sup>2</sup> (awg)	6 (9)			10 (7)		
Dimensions [w x h x d] mm (inches)	149x202x172 (5.87x7.95x6.77)			185x245x195 (7.28x9.65x7.68)		
Weight kg (lbs)	3.1 (6.8)	3.3 (7.3)	3.3 (7.3)	5.4 (11.9)	5.7 (12.5)	5.7 (12.5)

400 V Three Phase MICROMASTER Inverters (unfiltered)

Order No. (6SE6420-2UD)	13-7AA0	15-5AA0	17-5AA0	21-1AA0	21-5AA0	22-2BA0	23-0BA0	24-0BA0	25-5CA0	27-5CA0	31-1CA0
Input voltage range	3AC 380V - 480V +10% -10%										
Motor output rating kW (hp)	0.37 (0.5)	0.55 (0.75)	0.75 (1)	1.1 (1.5)	1.5 (2)	2.2 (3)	3 (4)	4 (5)	5.5 (7.5)	7.5 (10)	11 (15)
Output KVA	0.9	1.2	1.6	2.3	3	4.5	5.9	7.8	10.1	14	19.8
Output current Max. A	1.2	1.6	2.1	3	4	5.9	7.7	10.2	13.2	18.4	26
Input current A	1.6	2.1	2.8	4.2	5.8	7.5	10	12.8	17.3	23.1	33.8
Input cable Min. mm <sup>2</sup> (awg)	1 (17)						1.5 (15)	2.5 (13)	4 (11)	6 (9)	
Input cable Max. mm <sup>2</sup> (awg)	2.5 (13)					6 (9)		10 (7)			
Output cable Min. mm <sup>2</sup> (awg)	1 (17)						1.5 (15)	2.5 (13)	4 (11)		
Output cable Max. mm <sup>2</sup> (awg)	2.5 (13)					6 (9)		10 (7)			
Dimensions [w x h x d] mm (inches)	73x173x149 (2.87x6.81x5.87)					149x202x172 (5.87x7.95x6.77)			185x245x195 (7.28x9.65x7.68)		
Weight kg (lbs)	1.3 (2.9)					3.1 (6.8)	3.3 (7.3)	3.3 (7.3)	5.2 (11.4)	5.5 (12.1)	5.5 (12.1)

**Notes**

- a) Siemens 4 pole-motor
- b) 3 kW 230 unit requires an external choke (e.g. 4EM6100-3CB) and a 30 A mains fuse to operate on a single phase supply.

Table 7-2 MICROMASTER Performance Ratings

Feature	Specification											
Mains Operating Voltage	200 to 240 V $\pm$ 10% 1AC 200 to 240 V $\pm$ 10% 3AC 380 to 480 V $\pm$ 10% 3AC											
Power Ranges	200 to 240 V $\pm$ 10% 1AC			0.12kW – 3.0 kW			200 to 240 V $\pm$ 10% 3AC			0.12kW – 5.5 kW		
	380 to 480 V $\pm$ 10% 3AC			0.37kW – 11.0 kW								
Dimensions (Without Gland Plate)	FSA [W*H*D] mm (inches)			FSB [W*H*D] mm (inches)			FSC [W*H*D] mm (inches)					
	73 (2.87)	173 (6.81)	149 (5.87)	149 (5.87)	202 (7.95)	172 (6.77)	185 (7.28)	245 (9.65)	195 (7.68)			
Protection Level	IP20											
Temperature Range	-10°C to +50°C											
Storage Temperature	-40°C to +70°C											
Humidity	95% RH – non-condensing											
Operational Altitudes	up to 1000m above sea level without derating											
Control Method	Linear V/f ; Quadratic V/f; Flux Current Control (FCC)											
Overload Capability	1.5 * nominal output current for 60 seconds (every 300 seconds)											
Electromagnetic Compatibility	Optional EMC filters to EN55011 Class A or B, also Internal Class A filters available											
Protection features	Undervoltage , Overvoltage, Ground Faults, Short circuit, Stall Prevention, Locked Rotor, Motor Overtemperature, Inverter Overtemperature											
Input frequency	47 to 63 Hz											
Setpoint resolution	0.01Hz Digital, 0.01 Hz Serial, 10 bit Analogue											
Switching frequency	2kHz to 16kHz (2kHz steps)											
Digital Inputs	3 programmable isolated inputs, switchable active high / active low (PNP/NPN)											
Fixed frequencies	7 programmable											
Skip Frequencies	4 programmable											
Relay Outputs	1 programmable 30V DC / 5A (resistive), 250V AC 2A (resistive)											
Analogue Input	1 (0/2 to 10V) used for setpoint or PI feedback signal											
Analogue Output	1 (0/4 to 20mA) programmable											
Serial Interface	RS-232 and RS-485											
Design/Manufacture	In accordance with ISO 9001											
Standards	UL, cUL, CE, C-tick											
CE Marked	Conformity with EC Low Voltage Directive 73/23/EEC and Electromagnetic Compatibility Directive 89/336/EEC											
Power factor	$\geq$ 0.7											
Inverter efficiency	96 to 97 %											
Inrush current	Less than nominal input current											
Braking	DC braking, compound braking											



# 8 Supplementary Information

**This Chapter contains:**

Supplementary information.

8.1 Available options .....	104
8.2 Electro-Magnetic Compatibility (EMC) .....	104

---

**Notes**

- The MICROMASTER inverters are intended **exclusively for professional applications**. Therefore, they do not fall within the scope of the harmonics emissions specification EN 61000-3-2.
  - Maximum mains supply voltage when filters are fitted is 460V.
- 

## 8.1 Available options

The following accessories are available as options for your MICROMASTER MM420 Inverter. For more details please refer to the Reference Manual or contact your local Siemens sales office if you require assistance.

- Additional RFI suppression filter
- Clear Text Display for all languages (AOP)
- PROFIBUS module (PRO)
- DriveMonitor software for control via PC
- Output chokes and line chokes
- IP20 (NEMA 1) Accessory Kit (Only for Frame Size A)

## 8.2 Electro-Magnetic Compatibility (EMC)

All manufacturers / assemblers of electrical apparatus which “performs a complete intrinsic function and is placed on the market as a single unit intended for the end user” must comply with the EMC directive EEC/89/336.

There are three routes for the manufacturer/assembler to demonstrate compliance:

### Self-Certification

This is a manufacturer's declaration that the European standards applicable to the electrical environment for which the apparatus is intended have been met. Only standards that have been officially published in the Official Journal of the European Community can be cited in the manufacturer's declaration.

### Technical Construction File

A technical construction file can be prepared for the apparatus describing its EMC characteristics. This file must be approved by a ‘Competent Body’ appointed by the appropriate European government organization. This approach allows the use of standards that are still in preparation.

### EC Type Examination Certificate

This approach is only applicable to radio communication transmitting apparatus. All MICROMASTER units are certified for compliance with the EMC directive, when installed in accordance with the recommendations in Section 2.



### Three General classes of EMC performance are available as detailed below

#### Class 1: General Industrial

Compliance with the EMC Product Standard for Power Drive Systems EN 68100-3 for use in **Second Environment (Industrial)** and **Restricted Distribution**.

Table 8-1 Class 1 - General Industrial

EMC Phenomenon	Standard	Level
<i>Emissions:</i>		
Radiated Emissions	EN 55011	Level A1
Conducted Emissions	EN 68100-3	Limits under consideration
<i>Immunity:</i>		
Electrostatic Discharge	EN 61000-4-2	8 kV air discharge
Burst Interference	EN 61000-4-4	2 kV power cables, 1 kV control
Radio Frequency Electromagnetic Field	IEC 1000-4-3	26-1000 MHz, 10 V/m

#### Class 2: Filtered Industrial

This level of performance will allow the manufacturer/assembler to self-certify their apparatus for compliance with the EMC directive for the industrial environment as regards the EMC performance characteristics of the power drive system. Performance limits are as specified in the Generic Industrial Emissions and Immunity standards EN 50081-2 and EN 50082-2.

Table 8-2 Class 2 - Filtered Industrial

EMC Phenomenon	Standard	Level
<i>Emissions:</i>		
Radiated Emissions	EN 55011	Level A1
Conducted Emissions	EN 55011	Level A1
<i>Immunity:</i>		
Supply Voltage Distortion	IEC 1000-2-4 (1993)	
Voltage Fluctuations, Dips, Unbalance, Frequency Variations	IEC 1000-2-1	
Magnetic Fields	EN 61000-4-8	50 Hz, 30 A/m
Electrostatic Discharge	EN 61000-4-2	8 kV air discharge
Burst Interference	EN 61000-4-4	2 kV power cables, 2 kV control
Radio Frequency Electromagnetic Field, amplitude modulated	ENV 50 140	80-1000 MHz, 10 V/m, 80% AM, power and signal lines
Radio-frequency Electromagnetic Field, pulse modulated	ENV 50 204	900 MHz, 10 V/m 50% duty cycle, 200 Hz repetition rate

**Class 3: Filtered - for residential, commercial and light industry**

This level of performance will allow the manufacturer / assembler to self-certify compliance of their apparatus with the EMC directive for the residential, commercial and light industrial environment as regards the EMC performance characteristics of the power drive system. Performance limits are as specified in the generic emission and immunity standards EN 50081-1 and EN 50082-1.

Table 8-3 Class 3 - Filtered for Residential, Commercial and Light Industry

EMC Phenomenon	Standard	Level
<i>Emissions:</i>		
Radiated Emissions*	EN 55011	Level B
Conducted Emissions	EN 55011	Level B
<i>Immunity:</i>		
Supply Voltage Distortion	IEC 1000-2-4 (1993)	
Voltage Fluctuations, Dips, Unbalance, Frequency Variations	IEC 1000-2-1	
Magnetic Fields	EN 61000-4-8	50 Hz, 30 A/m
Electrostatic Discharge	EN 61000-4-2	8 kV air discharge
Burst Interference	EN 61000-4-4	2 kV power cables, 2 kV control
Radio Frequency Electromagnetic Field, amplitude modulated	ENV 50 140	80-1000 MHz, 10 V/m, 80% AM, power and signal lines
Radio-frequency Electromagnetic Field, pulse modulated	ENV 50 204	900 MHz, 10 V/m 50% duty cycle, 200 Hz repetition rate

\* These limits are dependent on the inverter being correctly installed inside a metallic switchgear enclosure. The limits will not be met if the inverter is not enclosed.

**Notes**

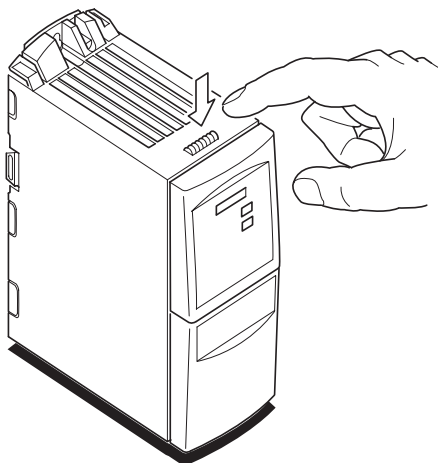
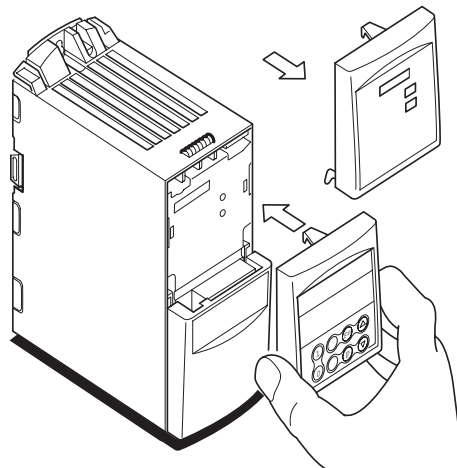
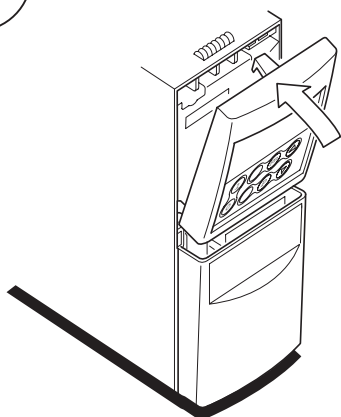
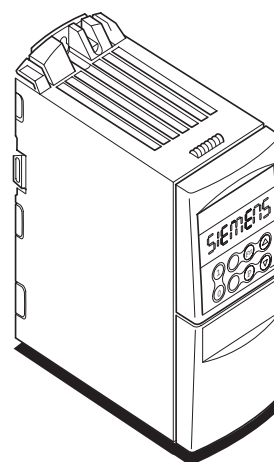
- To achieve these performance levels, you must not exceed the default switching frequency nor use cables longer than 25 m.
- The MICROMASTER inverters are intended **exclusively for professional applications**. Therefore, they do not fall within the scope of the harmonics emissions specification EN 61000-3-2.
- Maximum mains supply voltage when filters are fitted is 460V.

Table 8-4 Compliance Table

<b>Model</b>	<b>Remarks</b>
<b><i>Class 1 – General Industrial</i></b>	
6SE6420-2U***_**A0	Unfiltered units, all voltages and powers.
<b><i>Class 2 – Filtered Industrial</i></b>	
6SE6420-2A***_**A0	All units with integral Class A filters
6SE6420-2A***_**A0 with 6SE6400-2FA00-6AD0	Frame size A units 400-480 V with external Class A footprint filters
<b><i>Class 3 – Filtered for residential, commercial and light industry</i></b>	
6SE6420-2U***_**A0 with 6SE6400-2FB0*_***0	Unfiltered units fitted with external Class B footprint filters.
* denotes any value is allowed.	



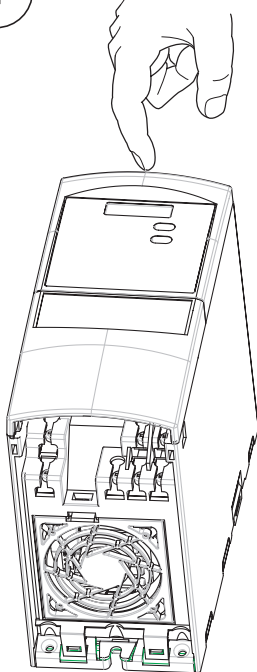
## A - Changing the Operator Panel

**1****2****3****4**

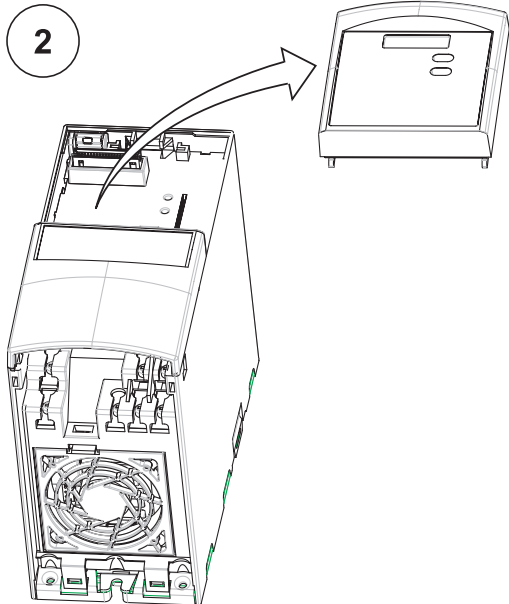


# B - Removing Covers Frame Size A

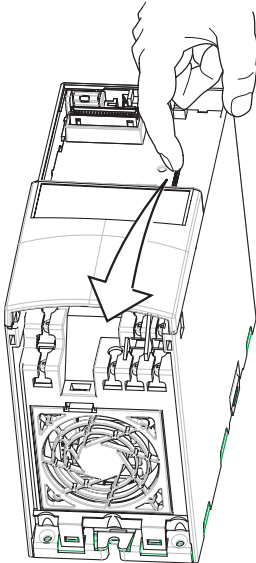
1



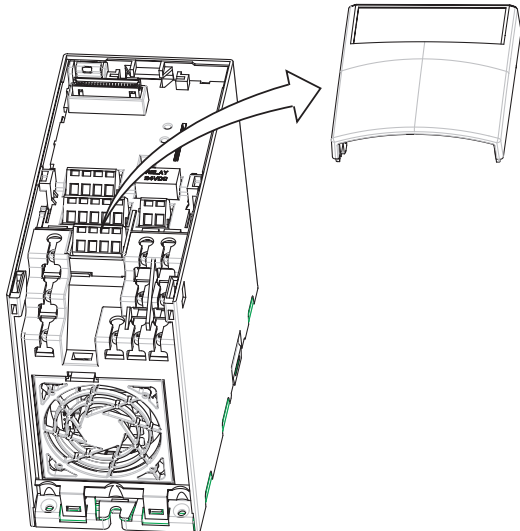
2



3



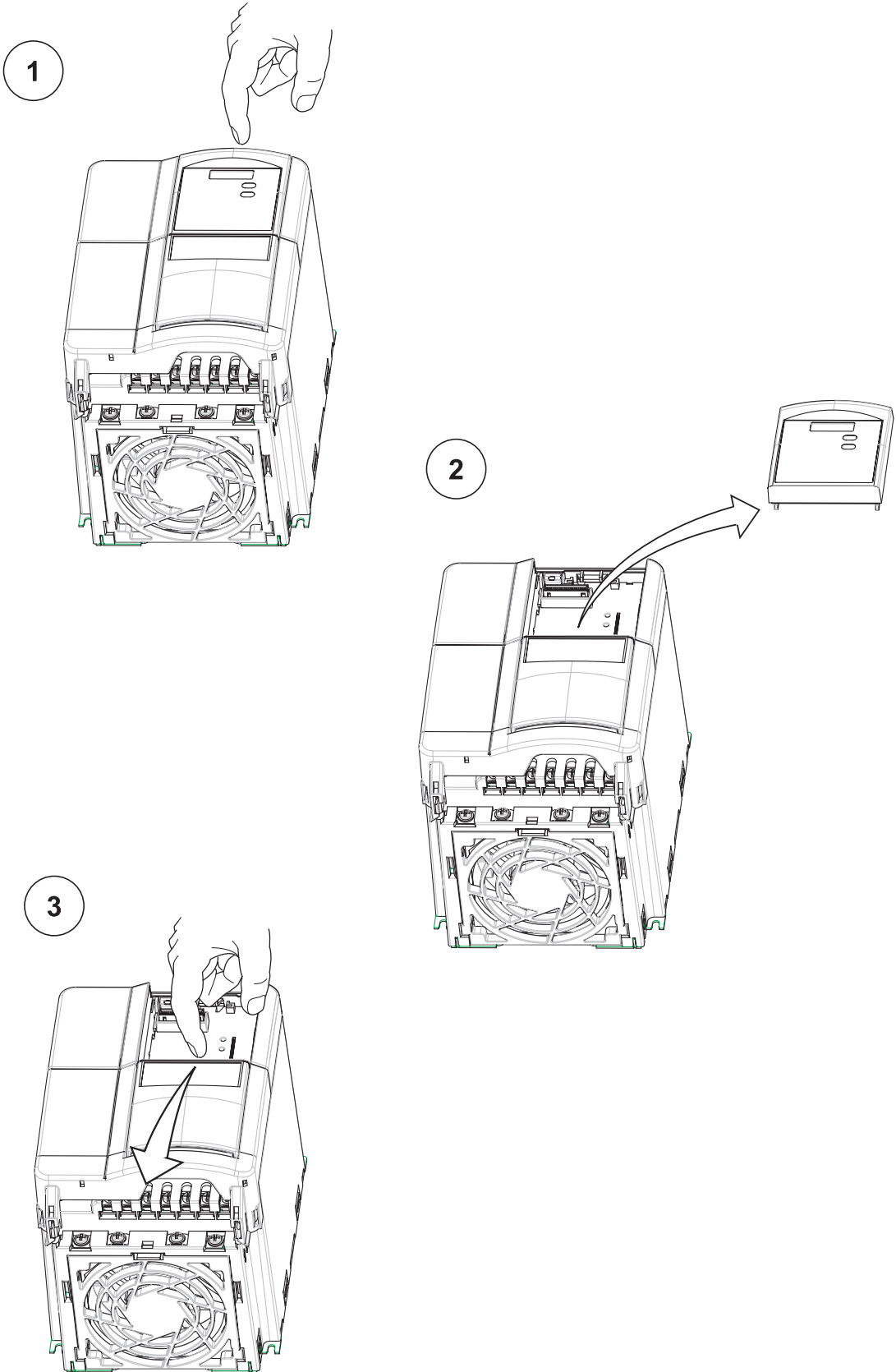
4



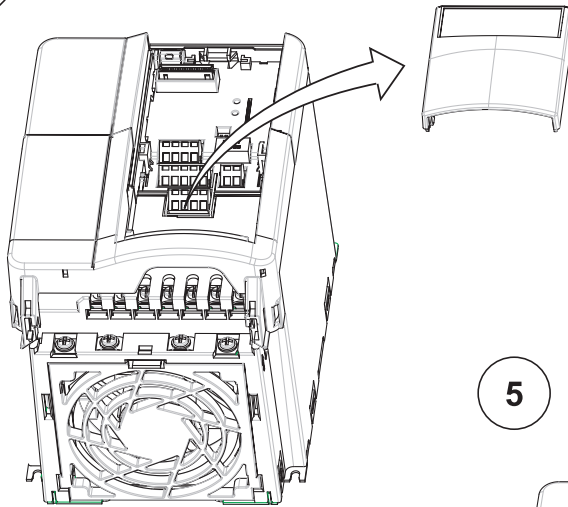




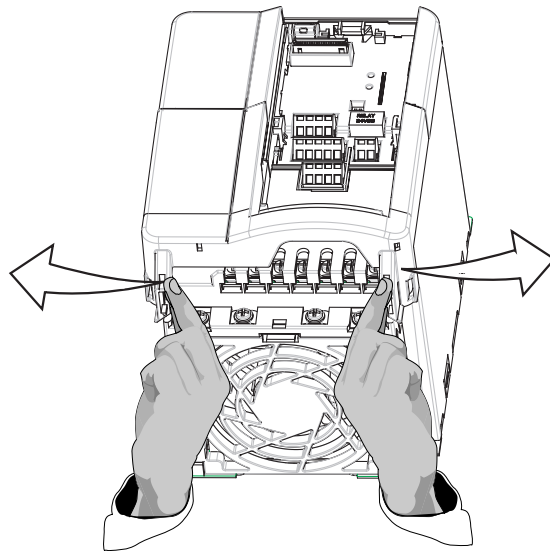
# C - Removing Covers Frame Sizes B and C



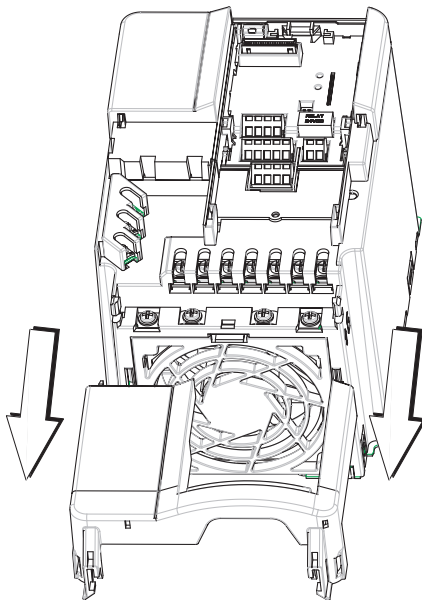
4



5

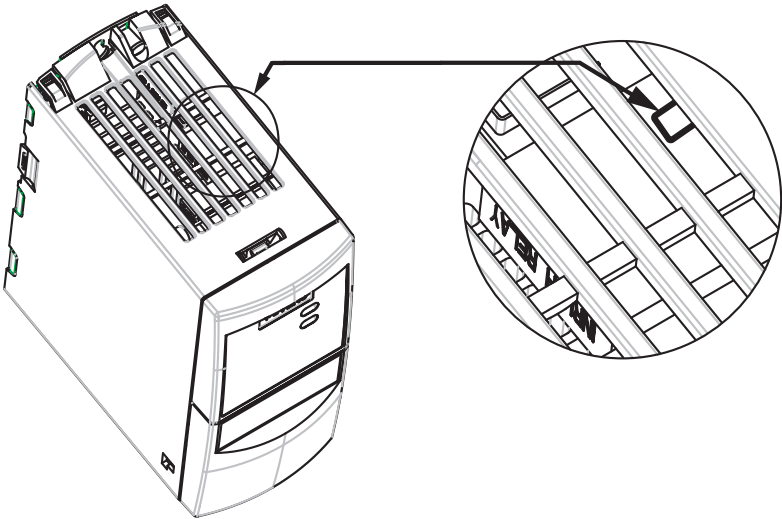


6

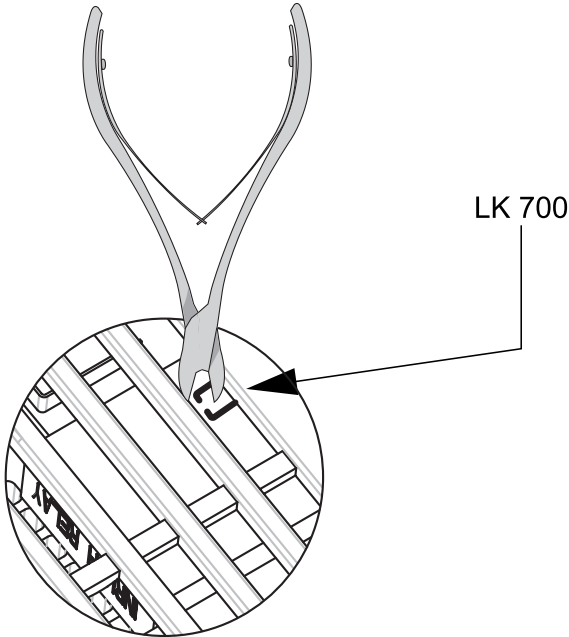


# D - Removing 'Y' Cap Frame Size A

1

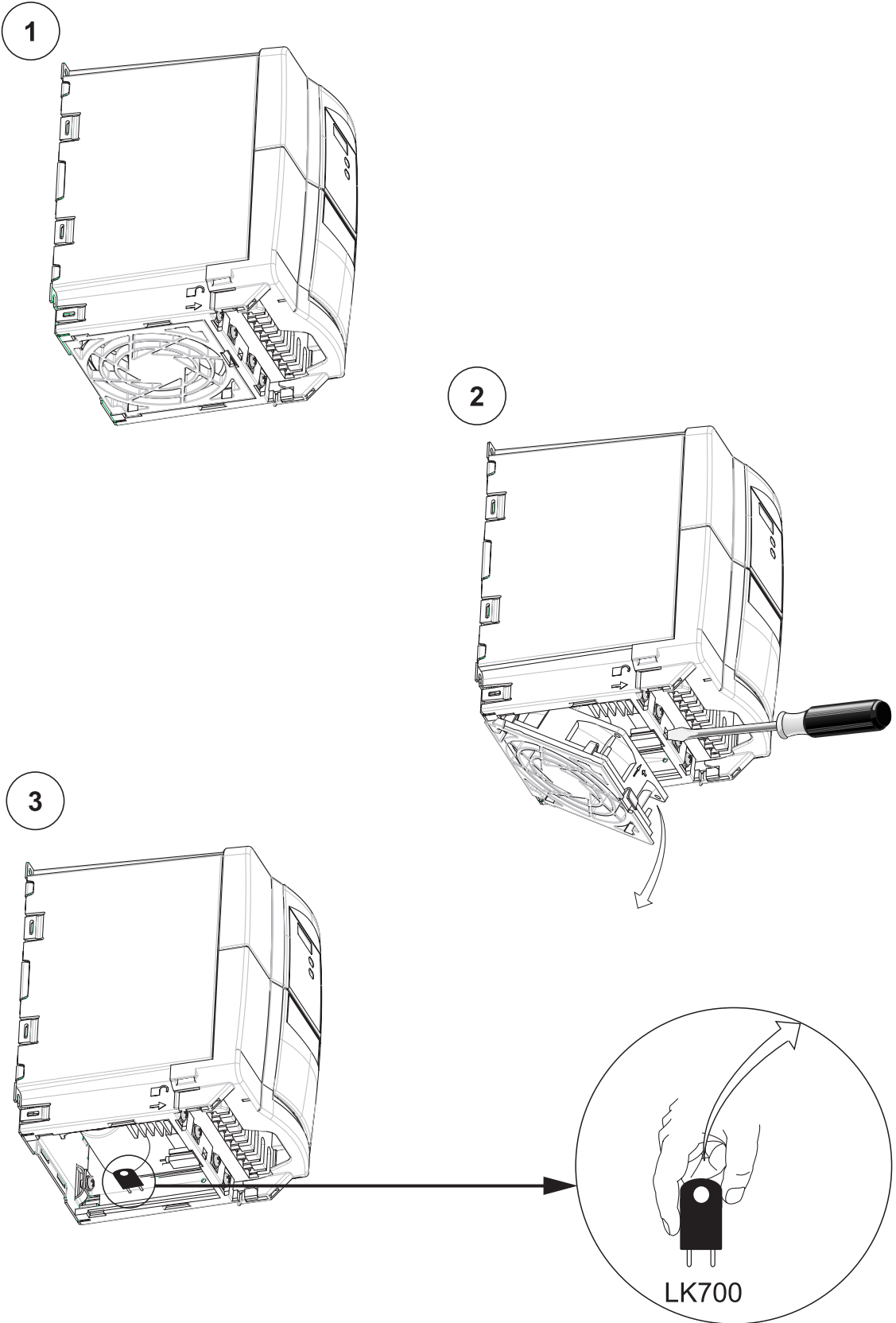


2





# E - Removing 'Y' Cap Frame Sizes B and C





## F - User Parameter Settings

Please enter your parameter settings in the following table.

Table E-1 User's Parameters Settings

Parameter Number	User Settings	Default	Parameter Number	User Settings	Default	Parameter Number	User Settings	Default
r0000		-	r0774		-	P1300		1
r0002		-	P0777		0	P1310		50
P0003		1	P0778		0	P1311		0
P0004		0	P0779		100	P1312		0
P0005		21	P0780		20	P1333		10
P0010		0	P0781		0	P1335		0
r0018		-	P0918		3	P1336		250
r0021		-	P0927		15	P1800		4
r0025		-	r0947 i 0		-	P1820		0
r0026		-	r0947 i 1		-	P1910		0
r0027		-	r0947 i 2		-	r1912		-
r0034		-	r0947 i 3		-	P2000		50
r0039		-	r0947 i 4		-	P2010 i 0		6
P0040		0	r0947 i 5		-	P2010 i 1		6
r0052		-	r0947 i 6		-	P2011 i 0		0
r0053		-	r0947 i 7		-	P2011 i 1		0
r0056		-	P0970		0	r2110 i 0		-
P0100		0	P1000		2	r2110 i 1		-
r0206		-	P1001		0	r2110 i 2		-
r0207		-	P1002		5	r2110 i 3		-
r0208		-	P1003		10	r2197		-
P0300		1	P1004		15	P2200		0
P0304		***	P1005		20	P2201		0
P0305		***	P1006		25	P2202		10
P0307		***	P1007		30	P2203		20
P0308		0	P1016		1	P2204		30
P0309		0	P1017		1	P2205		40
P0310		50	P1018		1	P2206		50
P0311		0	P1031		0	P2207		60
P0335		0	P1040		5	P2216		1
P0340		0	P1058		5	P2217		1
P0350		***	P1059		5	P2218		1
P0611		100	P1060		10	r2224		-
P0614		100	P1061		10	P2231		0
P0640		150	P1080		0	P2240		10
P0700		2	P1082		50	r2250		-
P0701		1	P1120		10	P2253		0
P0702		12	P1121		10	P2257		1
P0703		9	P1130		0	P2258		1
P0704		0	P1131		0	r2260		-
r0722		-	P1132		0	P2264		755
P0731		52:3	P1133		0	P2265		0
r0752		-	P1134		0	r2266		-
r0754		-	P1135		5	P2271		0
r0755		-	P1200		0	r2272		-
P0756		0	P1210		1	r2273		-
P0757		0	P1215		0	P2280		3
P0758		0	P1216		1	P2285		0
P0759		10	P1217		1	P2291		100
P0760		100	P1232		100	P2292		0
P0761		0	P1233		0	r2294		-
P0771		21	P1236		0	P3900		0





## G - Applicable Standards



### European Low Voltage Directive

The MICROMASTER product range complies with the requirements of the Low Voltage Directive 73/23/EEC as amended by Directive 98/68/EEC. The units are certified for compliance with the following standards:

EN 60146-1-1    Semiconductor inverters - General requirements and line commutated inverters  
 EN 60204-1    Safety of machinery - Electrical equipment of machines

### European Machinery Directive

The MICROMASTER inverter series does not fall under the scope of the Machinery Directive. However, the products have been fully evaluated for compliance with the essential Health & Safety requirements of the directive when used in a typical machine application. A Declaration of Incorporation is available on request.

### European EMC Directive

When installed according to the recommendations described in this manual, the MICROMASTER fulfils all requirements of the EMC Directive as defined by the EMC Product Standard for Power Drive Systems EN61800-3.



### Underwriters Laboratories

UL and CUL LISTED POWER CONVERSION EQUIPMENT 5B33 for use in a pollution degree 2

### ISO 9001

Siemens plc operates a quality management system, which complies with the requirements of ISO 9001.



## H - List of Abbreviations

<b>AOP</b>	Advanced Operator Panel
<b>AC</b>	Alternating Current
<b>BI</b>	Binector Input
<b>BO</b>	Binector Output
<b>BOP</b>	Basic Operator Panel
<b>DC</b>	Direct Current
<b>CI</b>	Connector Input
<b>CO</b>	Connector Input
<b>EEC</b>	European Economic Community
<b>ELCB</b>	Earth Leakage Circuit Breaker
<b>EMC</b>	Electro-Magnetic Compatibility
<b>EMI</b>	Electro-Magnetic Interference
<b>FCC</b>	Flux Current Control
<b>FCL</b>	Fast Current Limitation
<b>IGBT</b>	Insulated Gate Bipolar Transistor
<b>LCD</b>	Liquid Crystal Display
<b>LED</b>	Light Emitting Diode
<b>PI</b>	Proportional and Integral
<b>PLC</b>	Programmable Logic Controller
<b>PTC</b>	Positive Temperature Coefficient
<b>RCCB</b>	Residual Current Circuit breaker
<b>RCD</b>	Residual Current Device
<b>RPM</b>	Revolutions Per Minute
<b>SDP</b>	Standard Display Panel



# Index

## A

Advanced Operator Panel  
 operation with AOP · 34  
 Altitude · 19  
 Ambient operating conditions · 19  
 Applicable standards  
 European EMC Directive · 121  
 European Low Voltage Directive · 121  
 European Machinery Directive · 121  
 ISO 9001 · 121  
 Underwriters Laboratories · 121  
 Atmospheric pollution · 19

## B

Basic operation  
 changing parameters with BOP · 32  
 external motor thermal overload protection · 33  
 general · 34  
 with BOP · 35  
 with SDP · 30, 34  
 Basic Operator Panel  
 available buttons · 31  
 operation with BOP · 30

## C

Commissioning · 27

## E

Electrical Installation · 21  
 Electro-Magnetic Compatibility  
 EC type-examination certificate · 104  
 general · 104  
 self-certification · 104  
 technical construction file · 104  
 Electro-Magnetic Interference · 24  
 avoiding EMI · 24  
 Electromagnetic radiation · 19  
 EMC · 104  
 EMC performance  
 filtered for residential, commercial and light industry · 106  
 filtered industrial class · 105  
 general industrial class · 105  
 EMI · 24

## F

Fault codes  
 with the Basic Operator Panel fitted · 93  
 with the Status Display Panel fitted · 92  
 Faults and warnings  
 BOP fitted · 40  
 SDP fitted · 40  
 Frame sizes  
 removing the Y Cap from frame size A · 115

MICROMASTER 420 Operating Instructions  
 6SE6400-5AA00-0BP0

removing the Y Cap from frame sizes B and C · 117

## I

Installation  
 after a period of storage · 18  
 Intended purpose · 6  
 Inverter  
 block diagram · 36

## L

Long cables  
 operation with · 22

## M

Main characteristics · 16  
 Mechanical Installation · 20  
 MICROMASTER 420  
 available options · 104  
 fault codes · 94  
 general · 16  
 main characteristics · 16  
 performance characteristics · 16  
 protection characteristics · 16  
 specifications · 99  
 Motor connections · 22

## O

Operation  
 starting and stopping the motor · 38, 39  
 Operation with  
 long cables · 22  
 Residual Current Device · 21  
 ungrounded IT supplies · 21  
 Operator panel  
 front panel controls · 29  
 Operator panels  
 Advanced Operator Panel · 34  
 available panels · 29  
 Basic Operator Panel (BOP) · 30  
 changing the operator panel · 109  
 changing the panel · 29  
 Status Display Panel (SDP) · 29  
 Overheating · 19

## P

Parameters  
 changing parameters with BOP · 32  
 overview of MICROMASTER parameters · 42  
 system parameters · 41  
 system parameters and definitions · 48  
 user settings · 119  
 Performance characteristics · 16  
 Power and motor connections · 22  
 single phase · 23  
 Power and motor terminals

gaining access to · 22  
Power connections · 22  
Protection characteristics · 16

**Q**

Qualified personnel · 6

**R**

Residual Current Device  
operation with · 21

**S**

Safety instructions · 7  
Shock · 19  
Status Display Panel  
  default settings with BOP · 30  
  operation with SDP · 29  
  warnings and faults states · 30  
System Parameters and Definitions · 48

**T**

Temperature · 19  
Troubleshooting · 91

**U**

Ungrounded (IT) supplies  
operation with · 21

**V**

Vibration · 19

**W**

Warnings, cautions & notes  
  commissioning · 8  
  definitions · 6  
  dismantling & disposal · 9  
  general · 7  
  operation · 9  
  repair · 9  
  transport & storage · 8  
Water hazard · 19

**Suggestions and/or Corrections**

To: Technical Documentation Manager  
Siemens Automation & Drives

Siemens plc  
Automation & Drives  
Varey Road, Congleton, CW12 1PH

Fax: +44 (0)1260 283603

Email: [Technical.documentation@con.siemens.co.uk](mailto:Technical.documentation@con.siemens.co.uk)

	<p><b>Suggestions</b></p>
	<p><b>Corrections</b></p> <p>For Publication/Manual:</p> <p>MICROMASTER 420</p>
<p><b>From</b></p> <p>Name: _____</p> <p>Company/Service Department _____</p> <p>Address: _____</p> <p>_____</p> <p>Telephone: _____ / _____</p> <p>Telefax: _____ / _____</p>	<p><b>User Documentation</b></p> <p>Operating Instructions</p> <p>Order Number.: 6SE6400-5AA00-0BP0</p> <p>Date of Issue: Release</p> <p>Should you come across any printing errors when reading this publication, please notify us on this sheet.</p> <p>Suggestions for improvement are also welcome.</p>





View of Unit

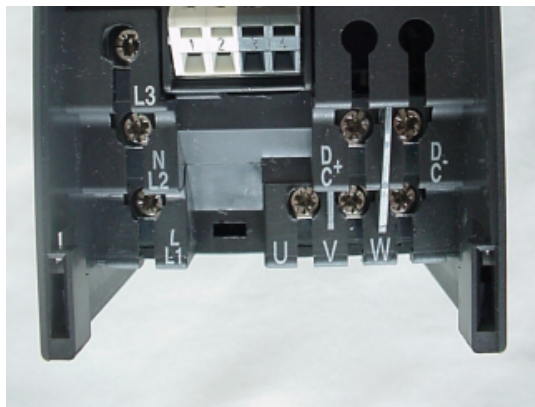
Frame Size A

Frame Size B & C

Standard Display Panel fitted



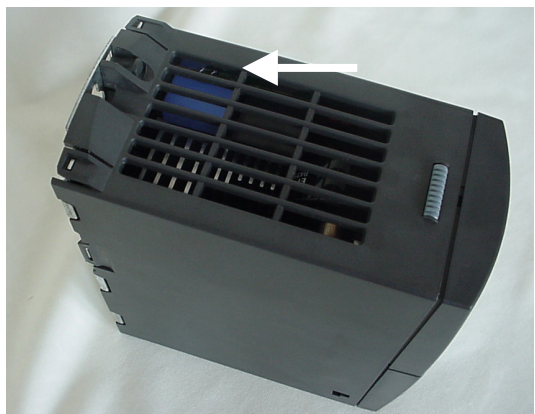
Power Terminal Connections



Control Terminal Connections



Access to "Y Cap"



Order Number



Drawing Number



A&D SD VM 4

---

Siemens Aktiengesellschaft

© Siemens AG, 2000  
Subject to change without prior notice

Order No.: 6SE6400-5AA00-0BP0 Operating  
Instructions  
Printed in UK.  
Date: August 2000

