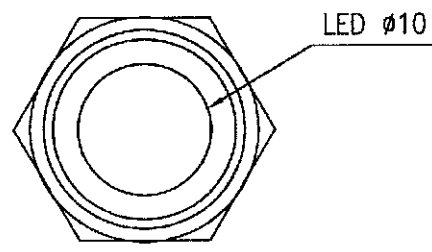
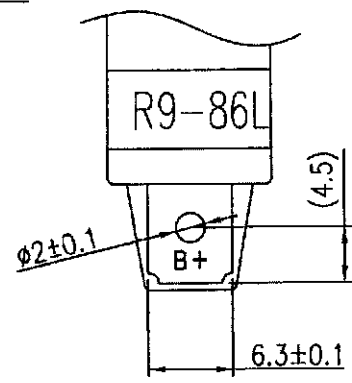
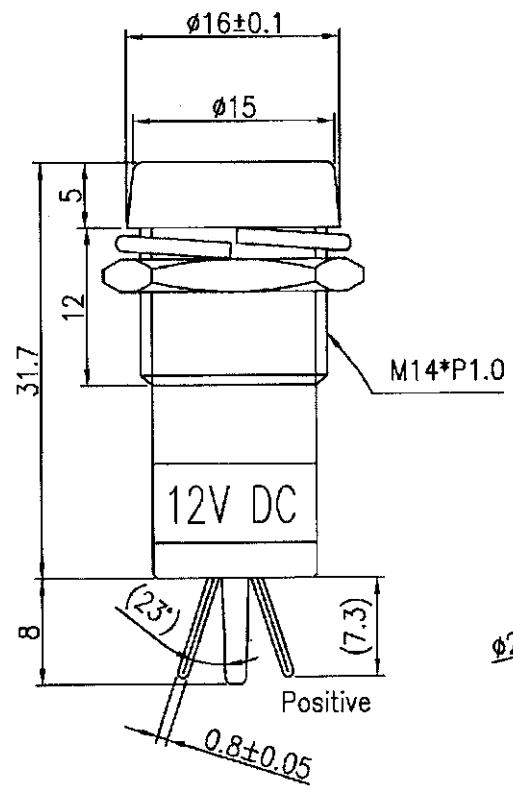


Rating	12V DC	Mounting Hole	Circuit Diagram
Insulation Resistance	DC 500V 100M Ohm Min.		
Dielectric Strength	AC 500V 1 Minute		
Operation Temperature	-20°C~+85°C		

LED Color	LED Lens Color	Vf	If	Iv(mcd)	View Angle
Green	Green Diffuse	2.0V	20mA	20	40°



Material
 Body: Chromium Plated Brass
 Base: Phenolic
 Terminal: Nickel Plated Brass



For CEI Only

Tolerances Unless Otherwise Specified ±0.3

Label: R9-86L 12V DC

									△
									△
Date	Name	Descriptions						NO	
Drawn	Checked	Approved	SCI BOM No.	1720487	Model Name	LED INDICATOR			
歐陽安			Customer No.		Model No.	R9-86L-01-WG	REV.		
08/16/'10	8/16-'10		Unit	mm	SHIN CHIN INDUSTRIAL CO., LTD.			0	