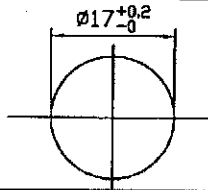
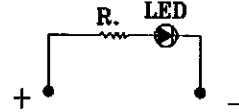
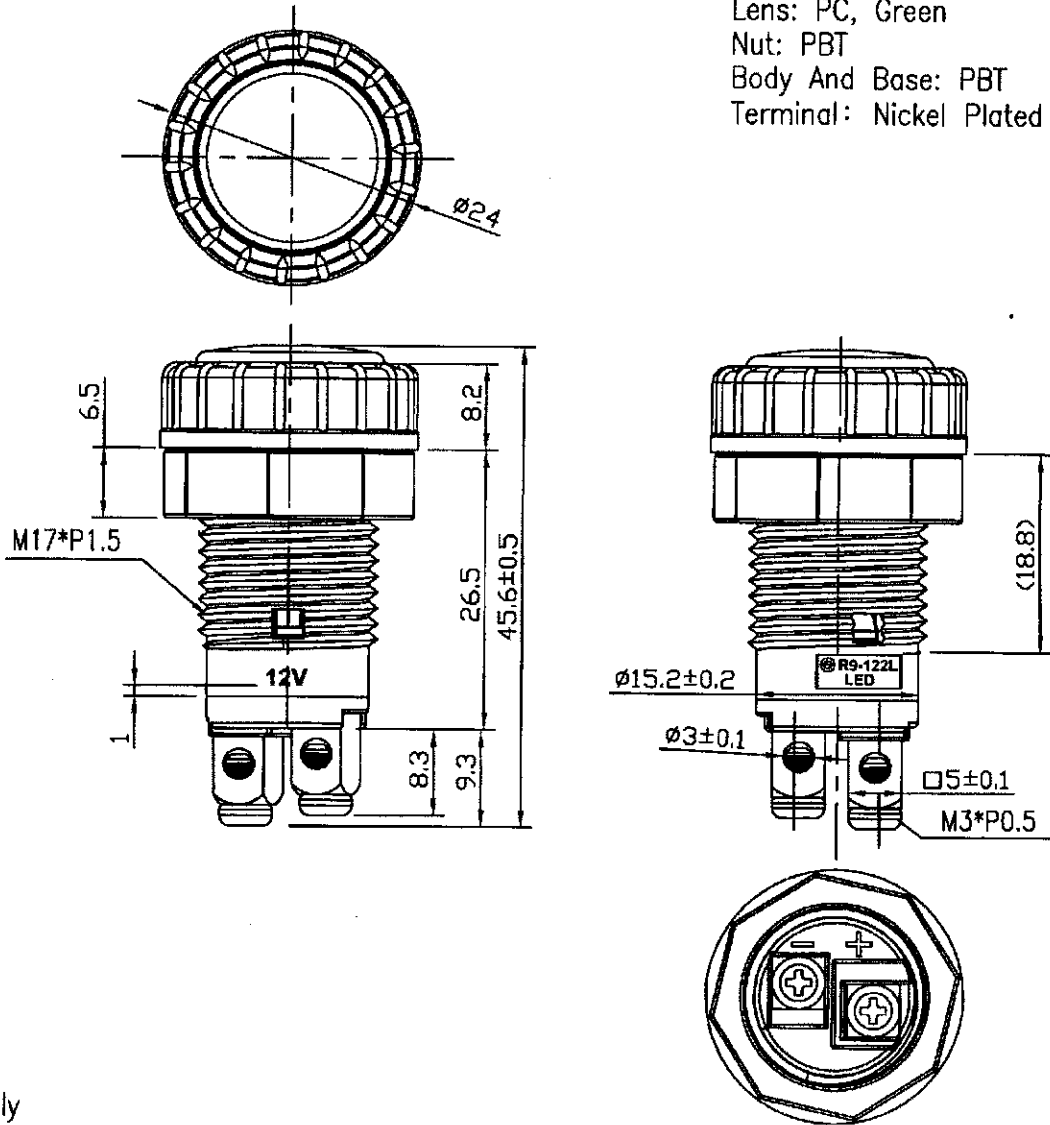
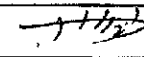


Rating		12V DC				Mounting Hole 	Circuit Diagram 
Insulation Resistance		DC 500V 100M Ohm Min					
Dielectric Strength		AC 1500V 1 Minute					
Operation Temperature		-20°C~+85°C					
LED Color	LED Lens Color	Vf	If	Iv(mcd)	View Angle		
Green	White Diffuse	3.7V	20mA	700	100°		

Material
 Lens: PC, Green
 Nut: PBT
 Body And Base: PBT
 Terminal: Nickel Plated Brass



For CEI Only
 Tolerances Unless Otherwise Specified ±0.3

						△	
						△	
Date	Name	Description				NO	
Drawn	Checked	Approved	SCI BOM No.	1720501	Model Name	LED INDICATOR	
歐陽安			Customer No.		Model No.	R9-122L1-06-BGG4	REV.
08/16/'10	8/16-'10		Unit	mm			0