

Datasheet

Item no. 149495/ 149499/ 149493/ 149497/ 149492/ 149496/
149494/ 149498

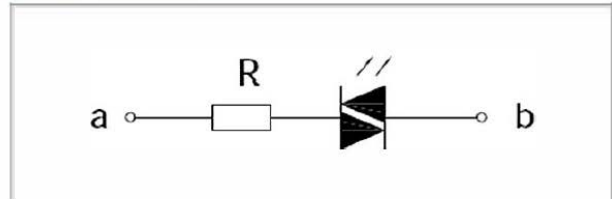
V1_0717_01_en

Lamp Ratings

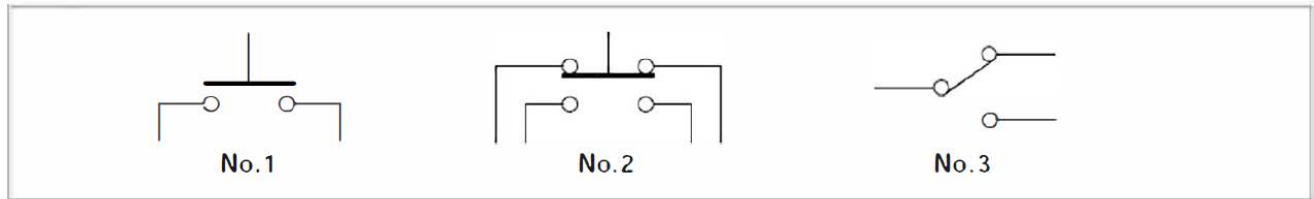
Lamp Type	LED Lamp		
Rated Voltage	AC/DC6V	AC/DC12V	AC/DC24V
	AC/DC110V		AC/DC220V
Cover Color	R	G	Y O B W
Life	About 40,000 hours		

Note: The lamp contains a current-limiting resistor.
Other operating voltage can be customized.

Lamp circuit diagram



Switching Operation



Visual Effect



Nikel Plated Brass
Satin surface

Stainless Steel
Spiral surface

Gold-plated brass
Satin surface

Soldering information

⊗ Handiwork solding: Soldering iron 30W or under 30W at 230°C for 3sec max.

Datasheet

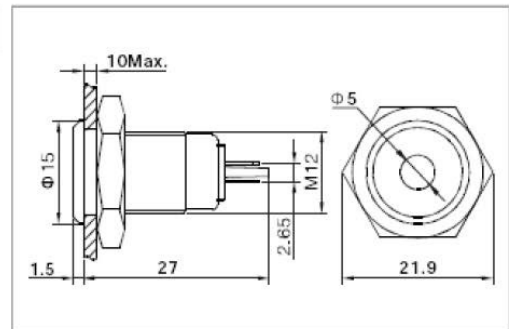
Item no. 149495/ 149499/ 149493/ 149497/ 149492/ 149496/
149494/ 149498

V1_0717_01_en

PILOT LAMP



- ⊙ \varnothing 12mm diameter
- ⊙ Voltage Range:3-48V
- ⊙ Rated Current:15mA
- ⊙ Lamp Type:LED
- ⊙ Lamp Color: R G Y O B W
- ⊙ The crust material:Stainless Steel
- ⊙ IP Degree:IP67



149495 : Metal pilot lamp w/ 12V LED, blue

149499 : Metal pilot lamp w/ 24V LED, blue

149493 : Metal pilot lamp w/ 12V LED, green

149497 : Metal pilot lamp w/ 24V LED, green

149492 : Metal pilot lamp w/ 12V LED, red

149496 : Metal pilot lamp w/ 24V LED, red

149494 : Metal pilot lamp w/ 12V LED, white

149498 : Metal pilot lamp w/ 24V LED, white

This is a publication by Conrad Electronic SE, Klaus-Conrad-Str. 1, D-92240 Hirschau (www.conrad.com).

All rights including translation reserved. Reproduction by any method, e.g. photocopy, microfilming, or the capture in electronic data processing systems require the prior written approval by the editor. Reprinting, also in part, is prohibited. This publication represents the technical status at the time of printing.

© Copyright 2017 by Conrad Electronic SE.