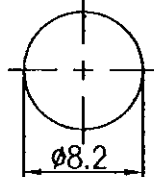
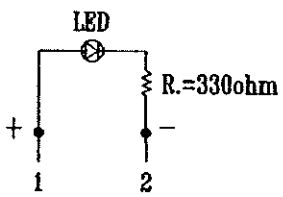
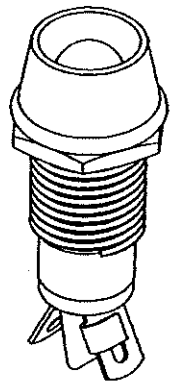
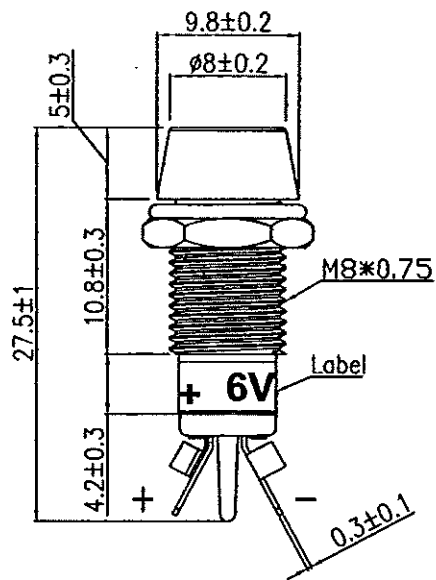
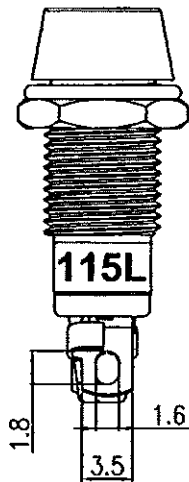
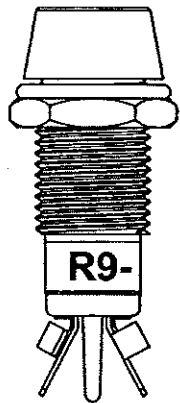


Rating	6VDC		
Life	100,000/hrs		
Insulation Resistance	DC 500V 100M ohm Min.		
Dielectric Strength	AC 500V 1 minute		
Operation Temperature	-20°C~+80°C		

LED Color	LED Lens Color	VF	IF	View Angle	Mcd	SCI NO.
Red	Color diffuse	3.5V	20mA	30°	100	1720379
Yellow	Color diffuse	3.5V	20mA	30°	100	1720381
Green	Color diffuse	2.1V	20mA	15°	90	1720382



Remark:

- LED Type : $\phi 5\text{mm}$.
- Unless otherwise specified all tolerances to be ± 0.3 .

						△	
						△	
						NO	
Date	Name	Description					
Drawn	Checked	Approved	SCI No.	SEE TABLE	Model Name	LED Indicator	
黃平平	楊美玲		Customer No.		Model No.	R9-115L-05	REV.
09/23/'08	09/23/08"		Unit	mm	SHIN CHIN INDUSTRIAL CO., LTD.		0